

Assembly Instructions

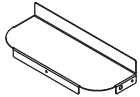
⚠ Important ⚠

Before you begin, read and comply with all safety and operating instructions, and ensure all parts and correct quantities are included.

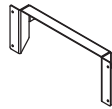
Any parts damaged during shipment must be reported within 5 days of receipt. To report information regarding missing parts or damage, to purchase parts or accessories, or if you have any questions, please contact us.

www.spectrumfurniture.com
800-235-1262, 715-723-6750

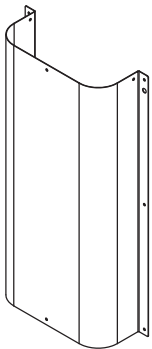
Thank you for purchasing Spectrum products!



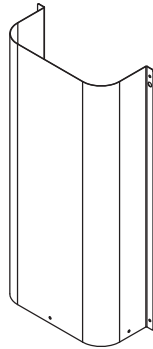
(1) 0138672
Top panel



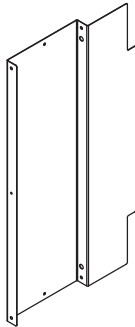
(1) 0139744
Wall Mount



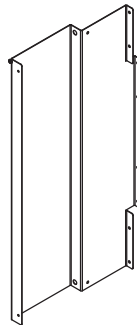
(1) 0137061
Upper (outer)
front panel



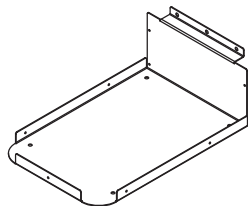
(1) 0138661
Lower (inner)
front panel



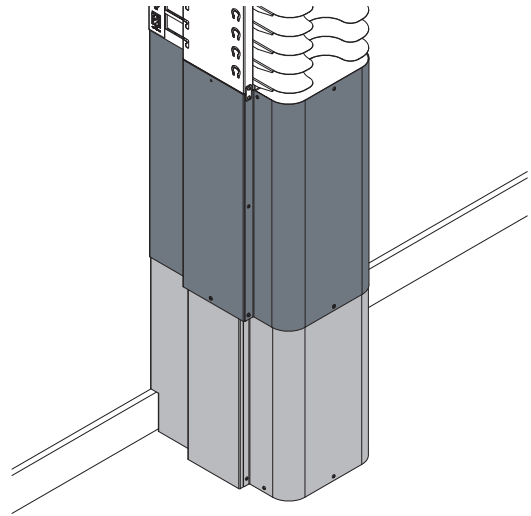
(2) 0138670
Outer (inner)
side panel



(2) 0138662
Lower (inner)
side panel



(1) 0138677
Bottom panel



Wall Shroud Kit for Collectiv8 Charging Pillar 55415

The Wall Shroud Kit extends the profile of one or more wall-mounted Collectiv8 Charging Pillars to the floor to provide safety and ADA-compliance. The telescoping shroud can be extended up to 46" from the floor.

Tools Required



Drill

or



Phillips
screwdriver



Phillips
driver

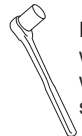
For concrete installations



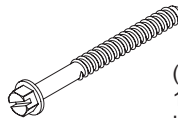
Hammer
drill



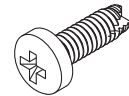
3/16"
Masonry
drill bit



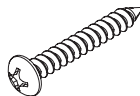
Ratcheting
wrench
with 5/16"
socket



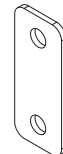
(5) 055699
1/4" x 1-1/4" Tapcon
Hex (For concrete)



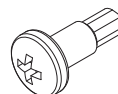
(34) 0100167
8-32 x 1/2" PH
Thrd ctg screw



(5) 0101381
#14 x 1-3/4" PHSM



(4) 0134540
Stacking bracket



(3) 021538
#8 x 1/2" PHTS

1 Existing wall-mounted Collectiv8 Charging Pillar

Start with one (or more) wall-mounted Collectiv8 Charging Pillars. The bottom needs to be between 24.75" - 46" off the floor. **Figure 1.**

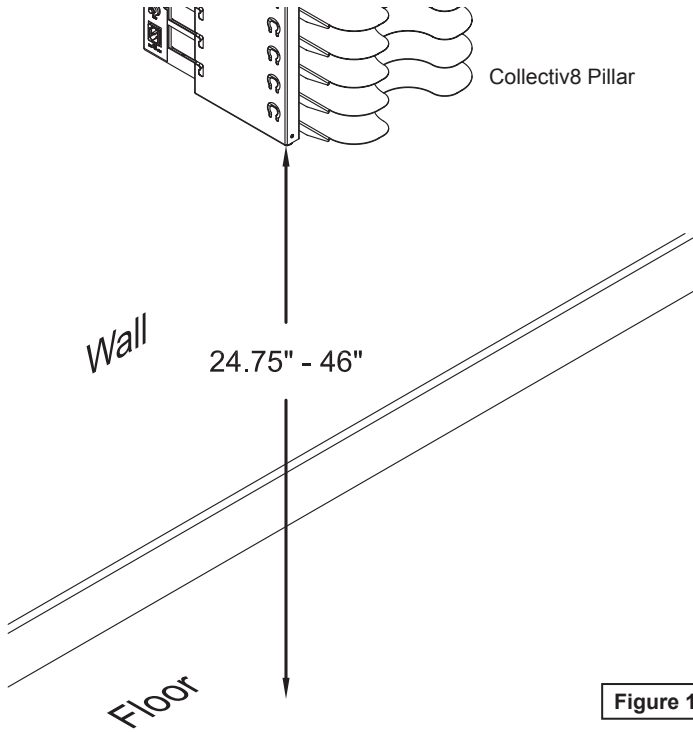


Figure 1

2 Assemble lower inner (gray) shroud

1. Attach each lower (inner) side panel (L & R) to the bottom panel with (8) 8-32 x 1/2" PH thread-cutting screws. **Figure 2.**
2. Attach the lower (inner) front panel with (5) 8-32 x 1/2" PH thread-cutting screws.

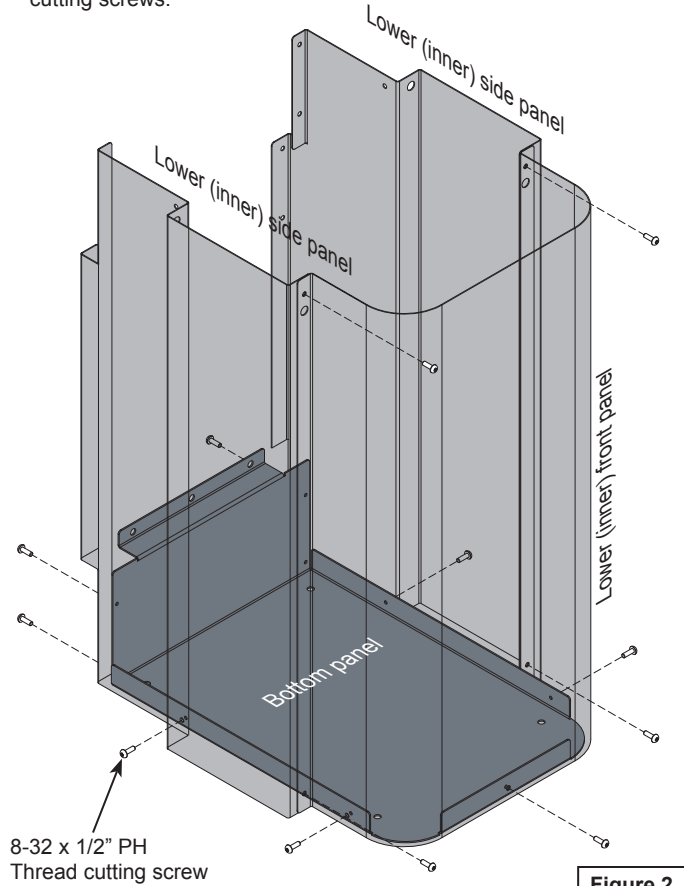


Figure 2

3 Attach wall mount to lower shroud

1. Using (4) 8-32 x 1/2" PH thread-cutting screws, attach the wall mount using one of the three positions shown. **Figure 3.1, 3.2, 3.3.**
Note: Three positions are available to clear wall outlet face plates that may be behind the shroud.

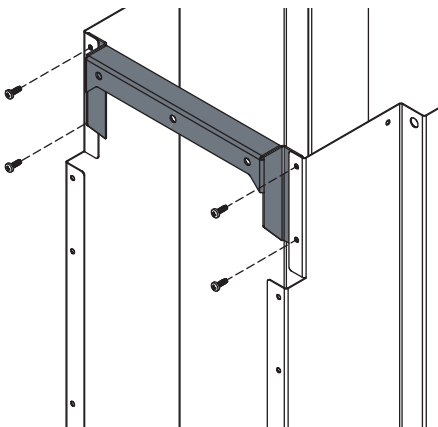


Figure 3.1

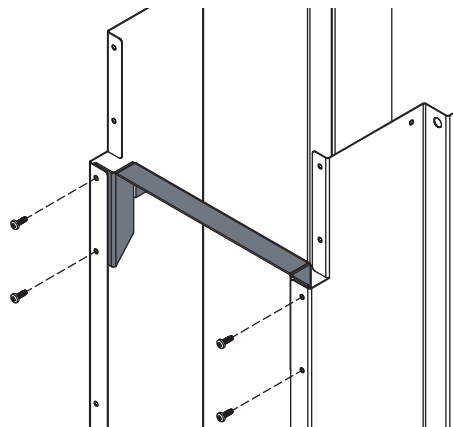


Figure 3.2

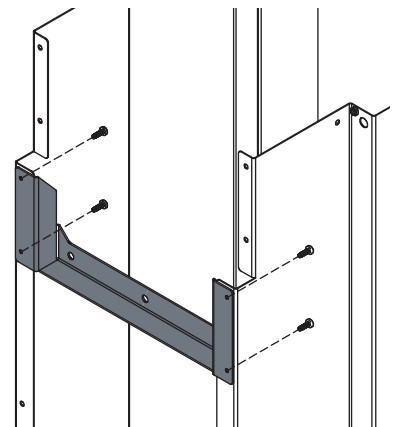
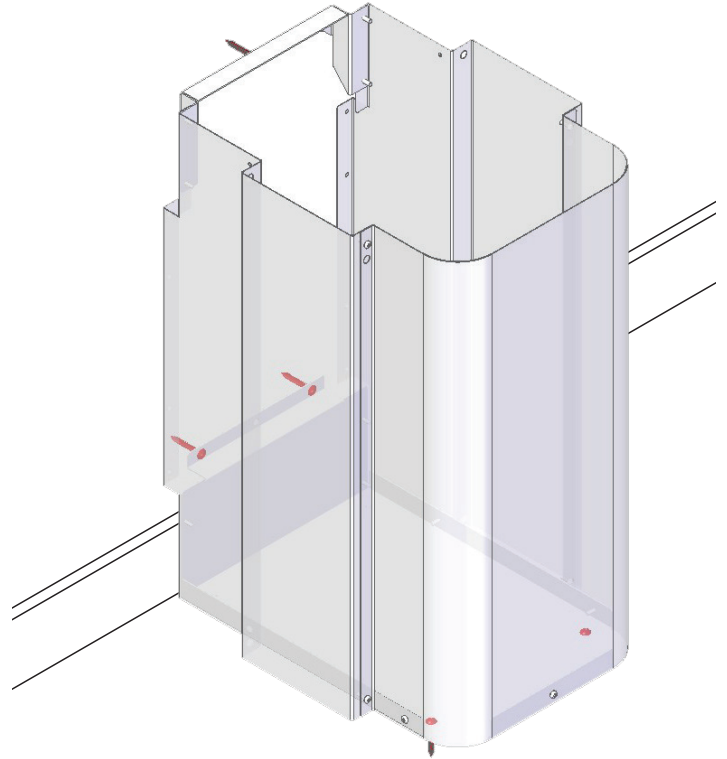


Figure 3.3

4 Secure assembled lower (gray) shroud to wall / floor

Center the lower assembled shroud under the wall-mounted Collectiv8 Pillar and locate it against the wall. **Figure 4.**

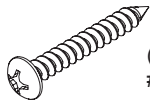
Secure to the wall and/or floor using one of the methods below.



Assembled lower (gray) shroud

Figure 4

Wood

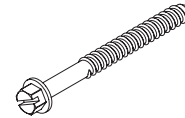


(5) 0101381
#14 x 1-3/4" PHSM

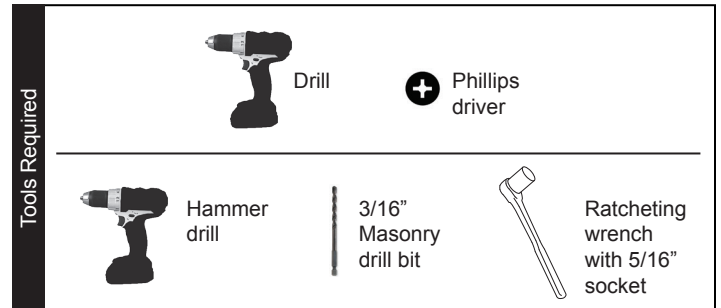


1. Attach with up to (5) #14 x 1-3/4" PHSM screws.
2. Tighten screws securely.

Concrete



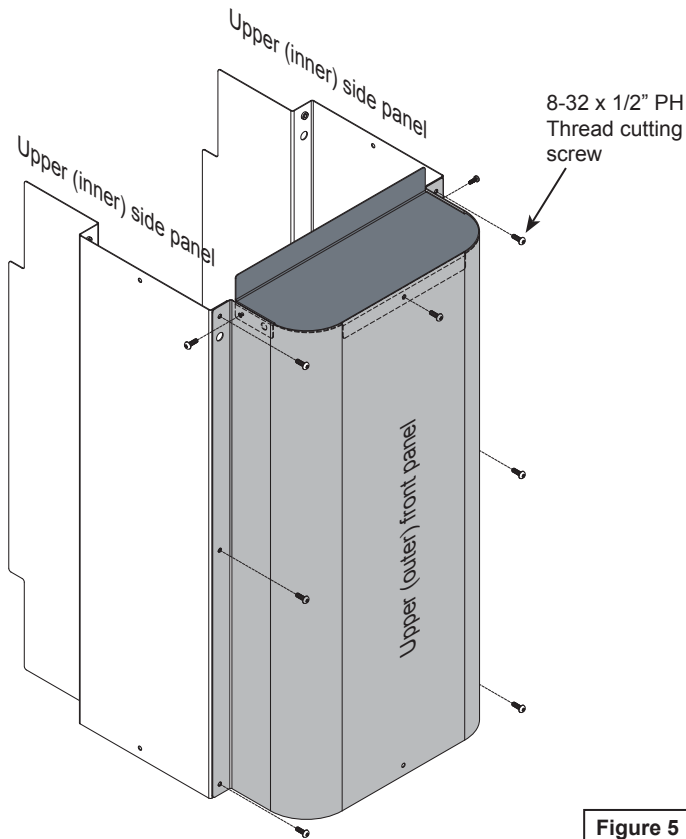
(5) 055699
1/4" x 1-1/4" Tapcon
Hex (For concrete)



1. Mark up to (5) preferred anchor locations onto the wall / floor.
2. Set the shroud assembly aside.
3. Using a hammer drill with 3/16" masonry bit, drill into the concrete at each marked location (approximately 1"D).
4. Remove concrete dust.
5. Attach the shroud with up to (5) 1/4" x 1-1/4" Tapcon Hex screws and tighten securely.

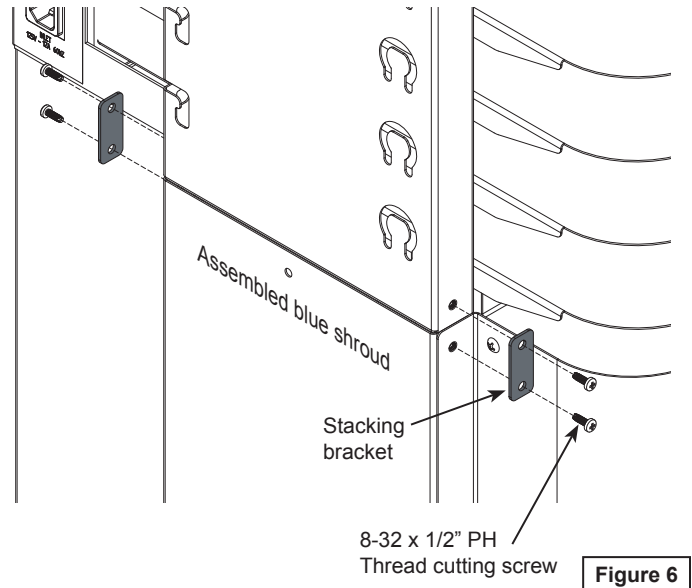
5 Assemble upper outer (blue) shroud

1. Attach each upper (outer) side panel (L & R) to the upper (outer) front panel with (2) 8-32 x 1/2" PH thread-cutting screws. **Figure 5.**
2. Attach the top panel with (3) 8-32 x 1/2" PH thread-cutting screws.



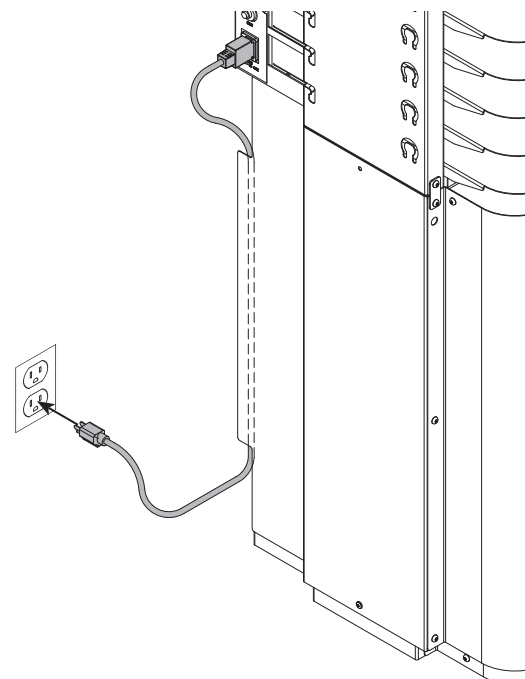
6 Attach assembled upper (blue) shroud to Collectiv8

1. Install (4) stacking brackets onto the Collectiv8 with 8-32 x 1/2" PH thread-cutting screws. **Figure 6.**
2. Using the same screws, hang the assembled blue upper shroud from the brackets.
3. Tighten screws securely.



8 Plug AC power cord into wall outlet

1. Route the Collectiv8 AC power cord(s) through the shroud as shown and plug into a wall outlet. **Figure 8.**



7 Install TEK screws - optional

1. (3) #8 x 1/2" PH TEK screws can be installed in the upper (blue) shroud for additional support. See **Figure 7.**

