

Assembly Instructions

⚠ Important ⚠

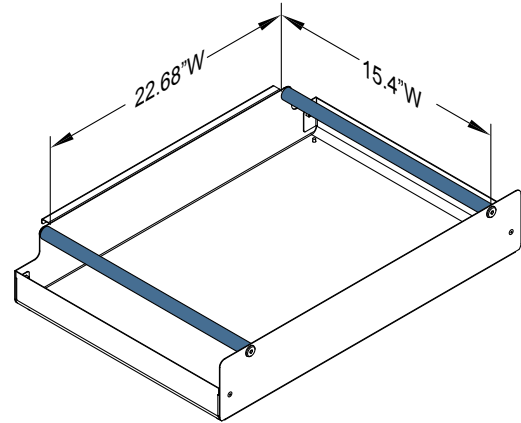
Before you begin, read and comply with all safety and operating instructions, and ensure all parts and correct quantities are included.

Any parts damaged during shipment must be reported within 5 days of receipt. To report information regarding missing parts or damage, to purchase parts or accessories, or if you have any questions, please contact us.

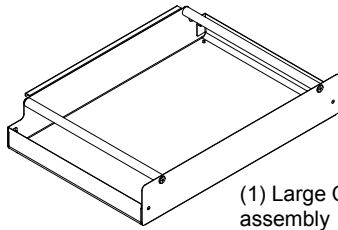
www.spectrumfurniture.com

800-235-1262, 715-723-6750

Thank you for purchasing Spectrum products!



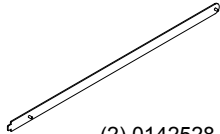
Large Caddy 55520



(1) Large Caddy assembly



(4) 056284
8-32 Wing nut



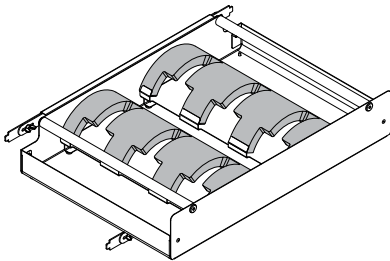
(2) 0142528
Bar support
(with threaded weld studs)



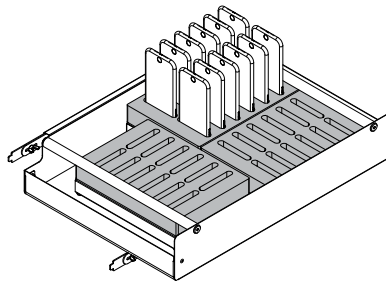
(2) 0145039
Bar support B-side
(with slots)

- Designed for tabletop use or installation into select carts
- (2) bar assemblies included
- Handles provide easy transport
- Rubber feet prevent tabletop scratches

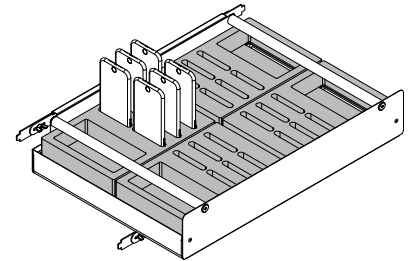
Accommodates up to (2) VR modules (not included)



Accommodates up to (3) 12-slot Phone modules (not included)

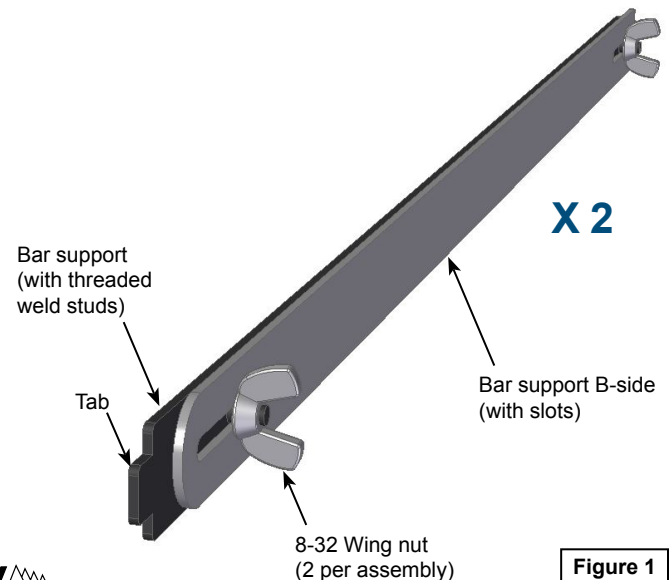


Accommodates up to (4) 6-slot Phone Modules (not included)



1 Assemble bars

1. The bars should be assembled with the tabs facing away from each other as shown in **Figure 1**.
2. Loosen the (2) wingnuts slightly.
3. Repeat for the 2nd set of bars.



2 Install bars

1. Determine the approximate location (height) you would like the caddy to be mounted. The rear bar is (2) slots higher than the front.
2. Insert one tab into a slot in the left slotted upright. **Figure 2.**
3. Insert the opposite tab into the corresponding right slotted upright and fully extend the bar assembly into place.
4. Lock the extended position of the bars by securely tightening the (2) wingnuts. Be sure both wingnuts are tight.
5. Repeat for the 2nd set of bars.

Note: When determining the location of the caddy, be sure it will clear any obstructions that may be inside the cabinet and enough clearance (height) is provided for all devices.

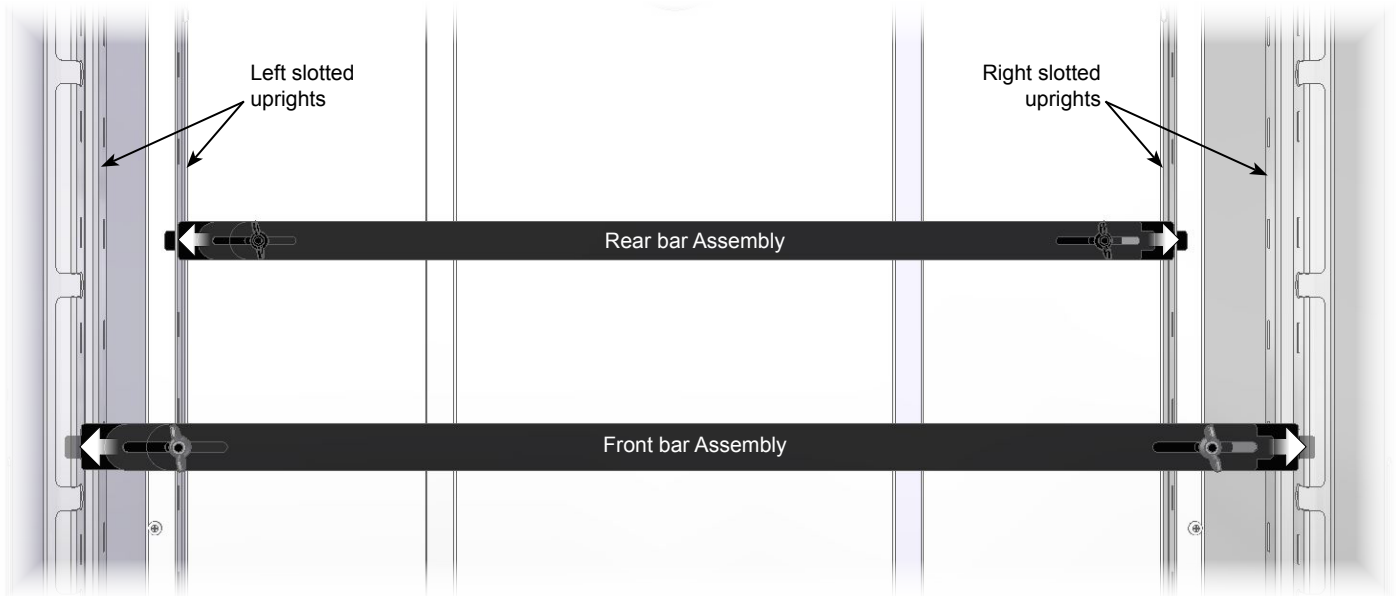


Figure 2

3 Install caddy

1. Carefully set the empty caddy onto both sets of bars. Be sure the rear channel "hooks" the rear set of bars fully. **Figure 3.**

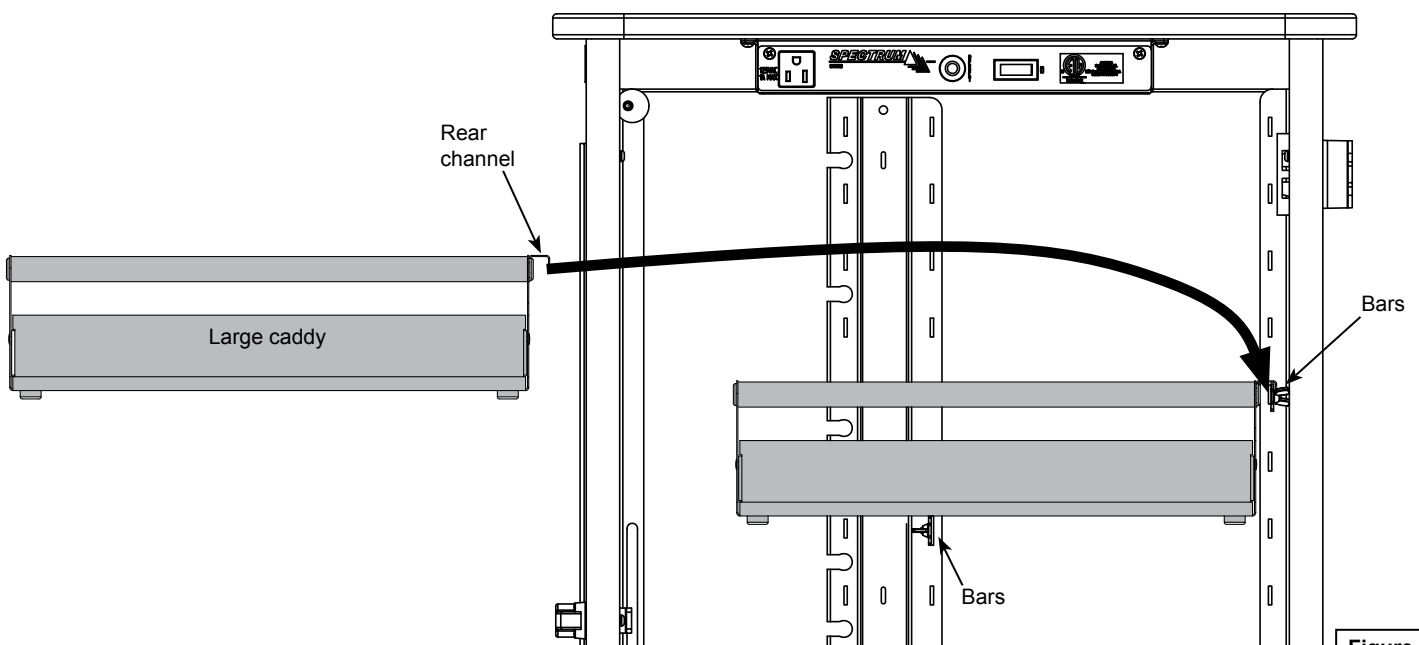


Figure 3