

# Assembly Instructions



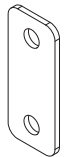
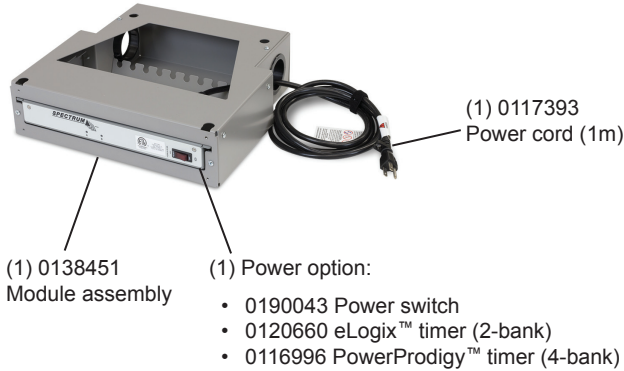
**Important**

Before you begin, read and comply with all safety and operating instructions, and ensure all parts and correct quantities are included.

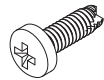
Any parts damaged during shipment must be reported within 5 days of receipt. To report information regarding missing parts or damage, to purchase parts or accessories, or if you have any questions, please contact us.

[www.spectrumfurniture.com](http://www.spectrumfurniture.com)  
800-235-1262, 715-723-6750

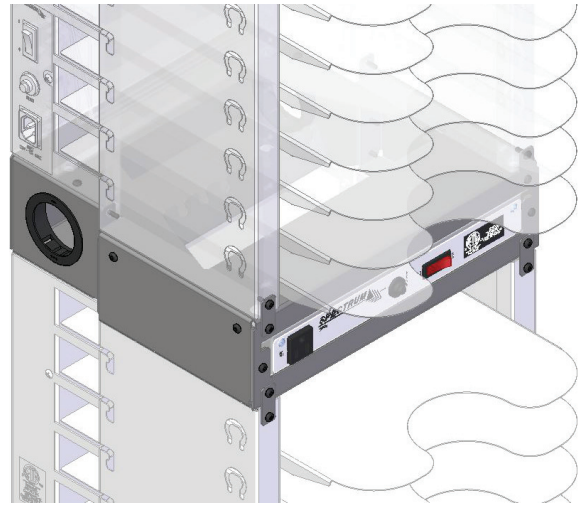
Thank you for purchasing Spectrum products!



(8) 0134540 Flat bracket



(16) 0100167 8-32 x 1/2" PH Thread cutting screw



## Power Module for Collectiv8™ Charging Pillar

55397 - w/ Power switch

55398 - w/ eLogix™ timer (2-bank)

55399 - w/ PowerProdigy™ timer (4-bank)

- Provides single-circuit charging to multiple Collectiv8 Charging Pillars
- Can be installed between or below a stack of Collectiv8 Charging pillars
- If wall-mounting, each Collectiv8 unit needs (1) 55396 Wall Hanging Kit

Tools Required



Phillips screwdriver

or



Drill



Phillips driver



If using an electric drill, be sure to use a low-torque setting to prevent stripped threads

## 1. Connect power cords to power option

1. Remove the existing 8' power cord from one of the Collectiv8 Charging Pillars and replace with the included shorter (1m) power cord.
2. Route both power cords through the power module side grommet. **Figure 1.1.**

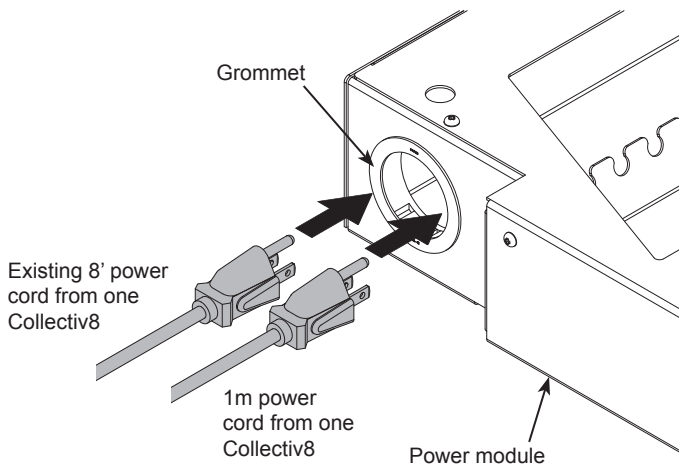


Figure 1.1

3. Plug each power cord from each Collectiv8 into the power option. **Figure 1.2.**
4. The cord management "fingers" inside the unit are used to secure cords to prevent unplugging.

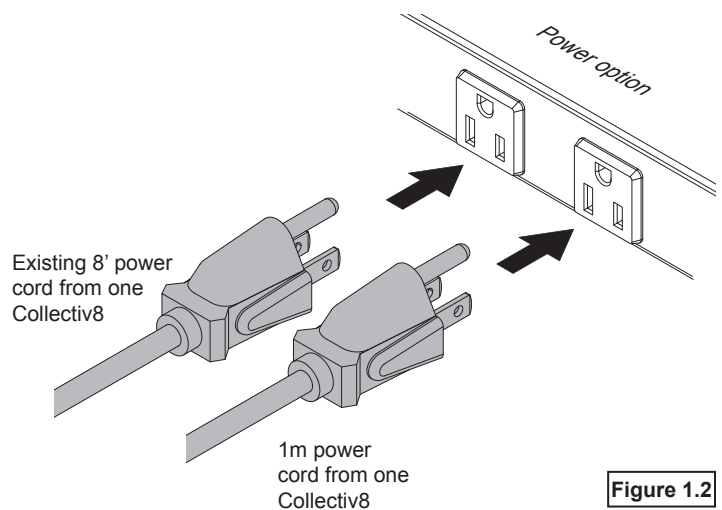


Figure 1.2

## 2. Assemble to Collectiv8

1. Choose one of the assembly positions shown below. **Figure 2.1, or 2.2.**
2. Connect the units together by installing the flat brackets with 8-32 screws.
3. Tighten securely.

### Below

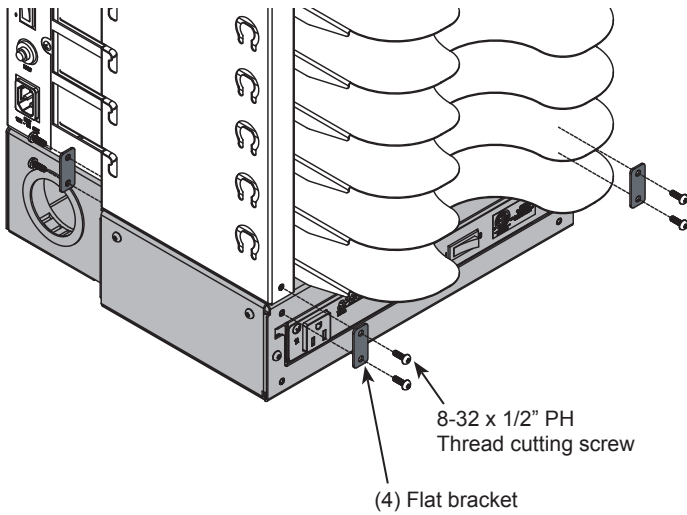


Figure 2.1

### Between

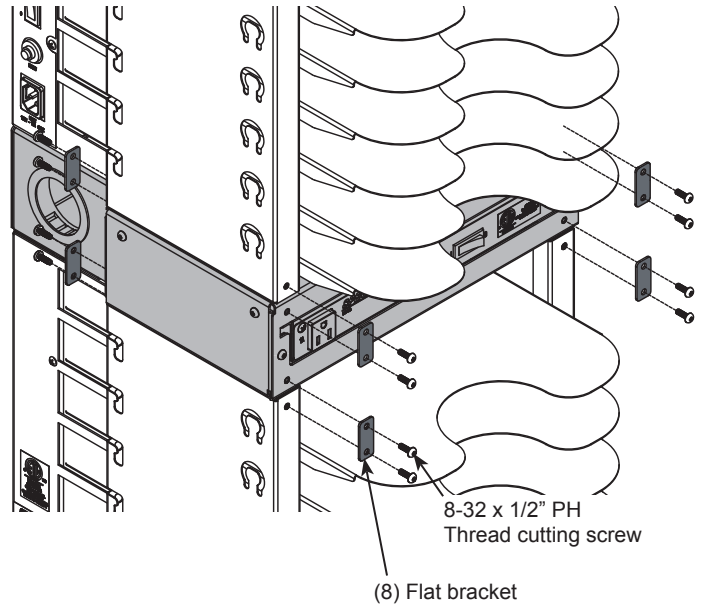


Figure 2.2

## 3. Plug in AC power cord

1. With the power module switched OFF, plug the previously removed 8' power cord into the module and plug into power option, then plug into a wall outlet. **Figure 3**
2. Bundle excess cord and place inside module.
3. Switch the module ON to begin charging.

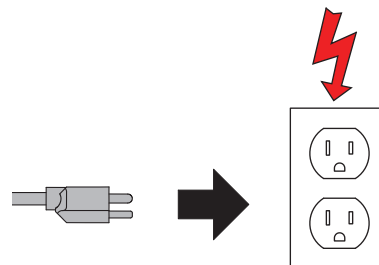


Figure 3