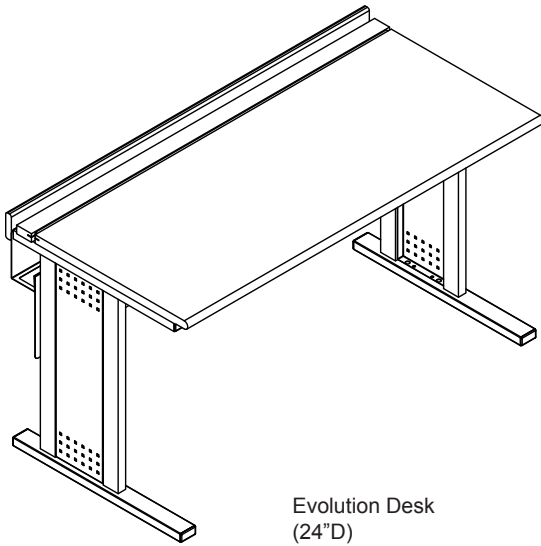


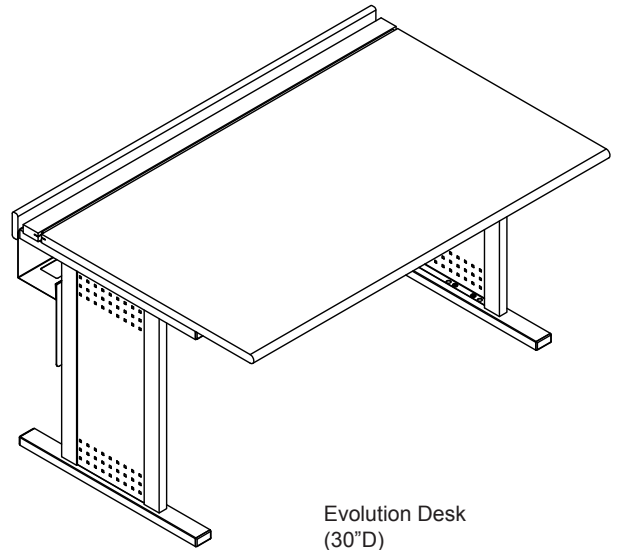
## Technical Specifications

| 24"D          |                           |
|---------------|---------------------------|
| Standard 27"H | Adjustable-Height 24-32"H |
| 38912 - 36"W  | 38912ADJ - 36"W           |
| 38915 - 60"W  | 38915ADJ - 60"W           |
| 38916 - 72"W  | 38916ADJ - 72"W           |

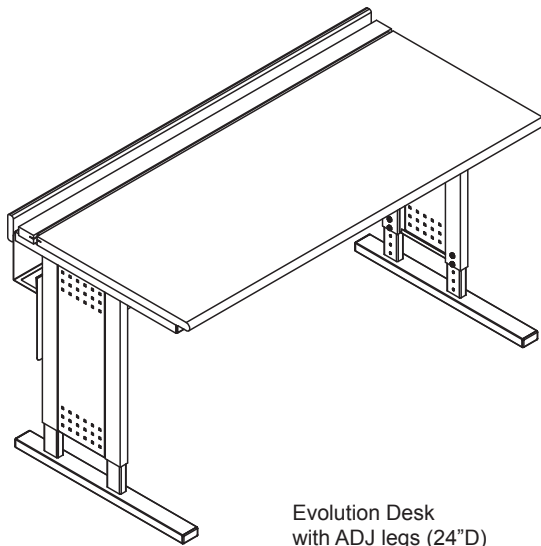
| 30"D          |                           |
|---------------|---------------------------|
| Standard 27"H | Adjustable-Height 24-32"H |
| 38901 - 36"W  | 38901ADJ - 36"W           |
| 38904 - 60"W  | 38904ADJ - 60"W           |
| 38905 - 72"W  | 38905ADJ - 72"W           |



Evolution Desk  
(24"D)



Evolution Desk  
(30"D)



Evolution Desk  
with ADJ legs (24"D)

**Sizes available:**  
Widths: 36", 60", 72"  
Depths: 24"D or 30"D

The Evolution computer lab desk is designed for comfort. Legs are spaced at a maximum to give the computer user the most legroom. A full bull-nose edge offers more than just the look of modern computer desks; it takes away sharp edges from the arms and wrist for a comfortable setting. The Evolution is available in 24" or 30" depths for optimal writing surface. Need to keep your worksurface neat and organized? Use an optional monitor arm to float your monitor and free up valuable space. Evolution Computer Desks are available in bulk packaging for even greater savings. But no matter what quantity you need, comfort of mind is found with a 10-year warranty-you will not have to worry about replacing your investment anytime soon! Available with adjustable legs. We even offer a matching teacher's desk with storage.

### Color Options

See [spectrumfurniture.com](http://spectrumfurniture.com) for complete color options and combinations.


# Features and Benefits

- Available in 24" or 30" deep versions
- Scratch and impact-resistant high-pressure laminate top provides a durable, useful worksurface
- Cord channel conveniently keeps computer wires and cables out of the way and is wide enough for most power strips
- Legs located at edges of desk maximize leg room
- Connectable worksurfaces and a wide variety of optional accessories allow easy adaptation to unique classroom environments
- Full-length flip-top door for easy cable and wire-access
- Solid oak chair rail protects wires and cables, and the back of the desk
- Steel modesty panel adds strength and stability
- Wider desks include hat-brace support to minimize flexing
- Leveling glides keep desk level on uneven surfaces
- User-friendly, bullnose radiused front edge on worksurface
- Attractive steel insert panels
- Available adjustable-height (ADJ) legs provide worksurface height adjustability
- Desk ships "knocked-down" and can be assembled at the final location for easy installation and lower shipping costs
- Warranted to be free of all defects in materials and workmanship for 10 years
- Designed and assembled in Chippewa Falls, WI, USA

# Construction

- The worksurface is constructed from 1" thick NAUF (No Added Urea Formaldehyde) composite board with .030" high-pressure laminate on one face, and a balancing phenolic backer on the opposing face
- Left and right-side worksurface edges are finished with 3mm vinyl edgeband
- All metal components are finished with a scratch-resistant powder coat epoxy
- Worksurface support (60", and 72" desks only) is 14-gauge steel
- Welded, 16-gauge 1" x 2" rectangular steel tube legs
- Bottom leg rail includes weld-nuts for attaching glides or wheels
- 20-gauge cord channel/modesty panel and leg insert panels
- Chair rail is ¼ #1 select red oak, finished with a catalyzed top coat
- Post-formed bullnose on worksurface front edge
- Evolution desks are shipped knocked-down (KD) and require assembly

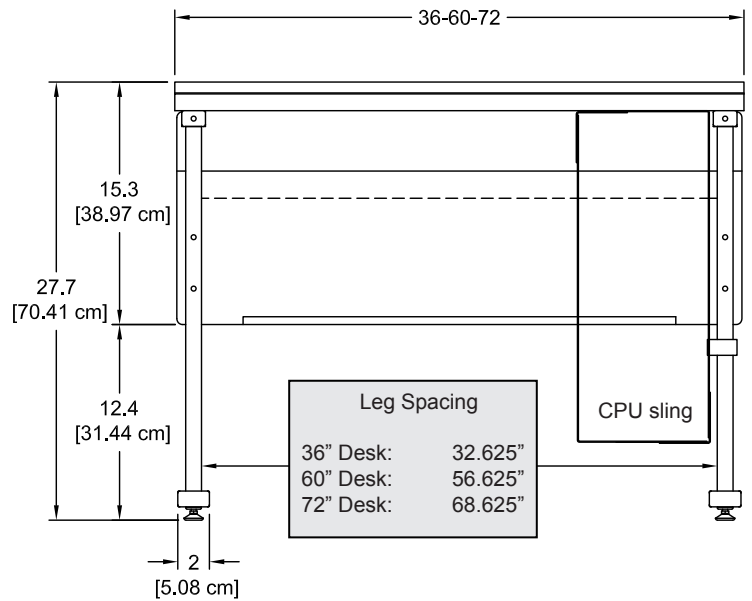
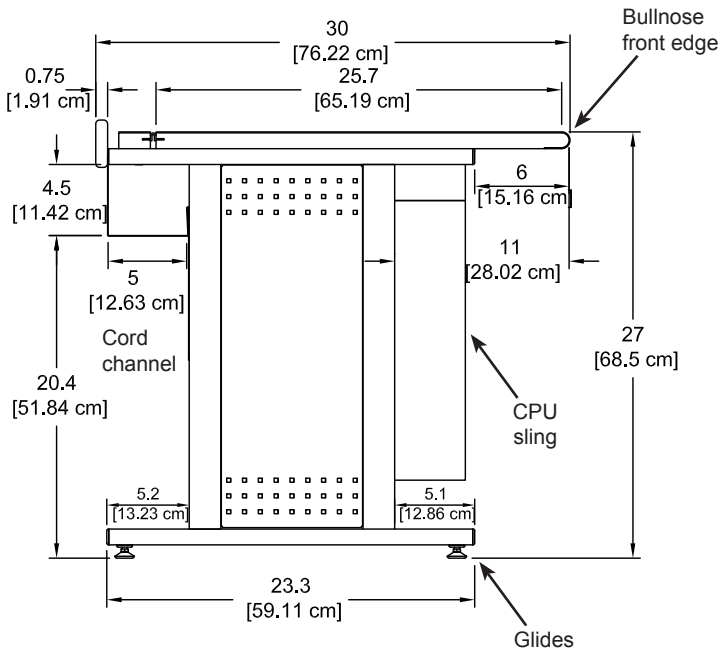
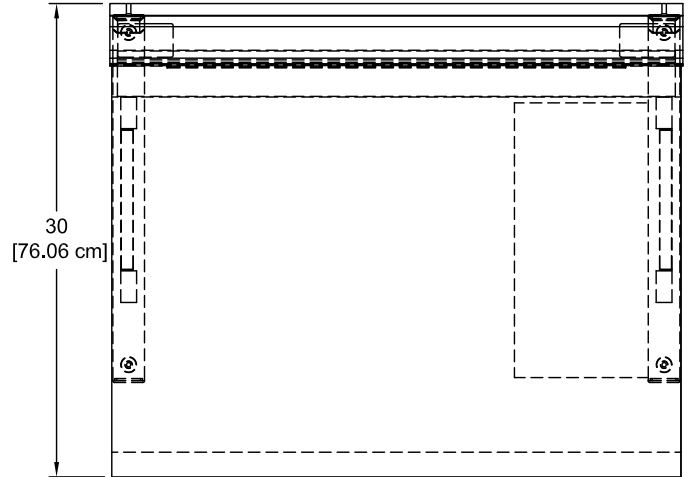
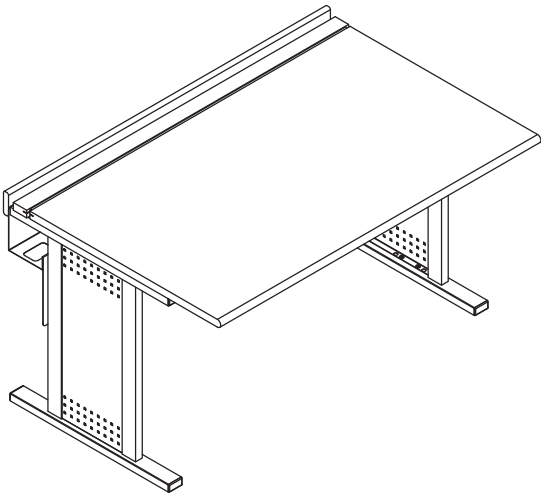
# Specifications

|  |  |   |
|--|--|---|
| Sizes available                          | <ul style="list-style-type: none"> <li>• 36"W [91 cm] x 24"D [61 cm]</li> <li>• 60"W [152 cm] x 24"D [61 cm]</li> <li>• 72"W [183 cm] x 24"D [61 cm]</li> </ul>  | <ul style="list-style-type: none"> <li>• 36"W [91 cm] x 30"D [76.2 cm]</li> <li>• 60"W [152 cm] x 30"D [76.2 cm]</li> <li>• 72"W [183 cm] x 30"D [76.2 cm]</li> </ul>   |
| Worksurface heights                      | <ul style="list-style-type: none"> <li>• 27"H [68.6 cm] (fixed)</li> <li>• 24-32"H [61 - 81.3 cm] (adjustable in 1" increments)</li> </ul>   |   |
| Cord channel                             | <ul style="list-style-type: none"> <li>• 3"D [7.6 cm] x 4.5"H [11.4 cm] (24"D)</li> <li>• 4.97"D [12.6 cm] x 4.5"H [11.4 cm] (30"D)</li> </ul>   |   |
| Worksurface heights with adjustable legs | 24"-32"H [61 cm - 81.3 cm] in 1" [2.54 cm] increments  |   |
| Legroom heights with adjustable legs     | 23"-31"H [58.4 cm - 78.7 cm] in 1" [2.54 cm] increments  |   |
| ADA-compliance*                          |   | <p>Spectrum recommends adjustable legs (ADJ) be specified when an ADA-compliant desk is needed. (1 person per desk)</p> <p><i>*Minimum ADA guidelines for knee clearances are 30"W x 19"D x 27"H</i></p>  |
| Certifications / Compliance              | <ul style="list-style-type: none"> <li>• SCS Indoor Advantage Certified</li> </ul>   | <ul style="list-style-type: none"> <li>• Meets or exceeds applicable ANSI-BIFMA test standards</li> </ul>   |
| Shipping weight (nominal)                | <p><b>30"D x 27"H:</b><br/>           79 lb [35.9 kg] - 36"W<br/>           115 lb [52.2 kg] - 60"W<br/>           134 lb [60.8 kg] - 72"W</p> <p><b>Bulk pack weights:</b><br/> <b>30"D x 27"H:</b><br/>           1704 lb [774 kg] - 38901 - (36"W) qty 24<br/>           1284 lb [583 kg] - 38904 - (60"W) qty 12<br/>           1404 lb [637 kg] - 38905 - (72"W) qty 12</p> | <p><b>24"D x 27"H:</b><br/>           75 lb [34 kg] - 38912 - 36"W<br/>           109 lb [49.5 kg] - 38915 - 60"W<br/>           127 lb [57.7 kg] - 38916 - 72"W</p> <p><b>24"D x 27"H:</b><br/>           1608 lb [730 kg] - 38912 - (36"W) qty 24<br/>           1188 lb [539 kg] - 38915 - (60"W) qty 12<br/>           1380 lb [627 kg] - 38916 - (72"W) qty 12</p> |

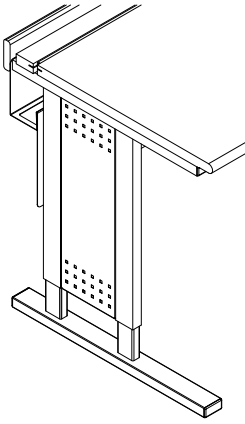
Note: Evolution desks are available in bulk pack quantities of 24 (up to 44" wide) and 12 (48" wide and wider.) Although there is cost-savings of consolidating into bulk packaging, access to a truck-height loading dock, forklift, or other means of unloading the pallets from the truck is necessary.

Specifications subject to change without notice

Evolution Desk (30"D)  
 (shown with optional 95500 CPU sling)



Note: When determining leg spacing on Evolution desks with an optional CPU sling (95500 shown,) subtract 7.875", 8.875", or 9.875" (adjustable sling widths) from the leg spacing dimension. When using a narrow CPU sling, (95513) subtract 5"-to-8.5" (depending on width of CPU.)



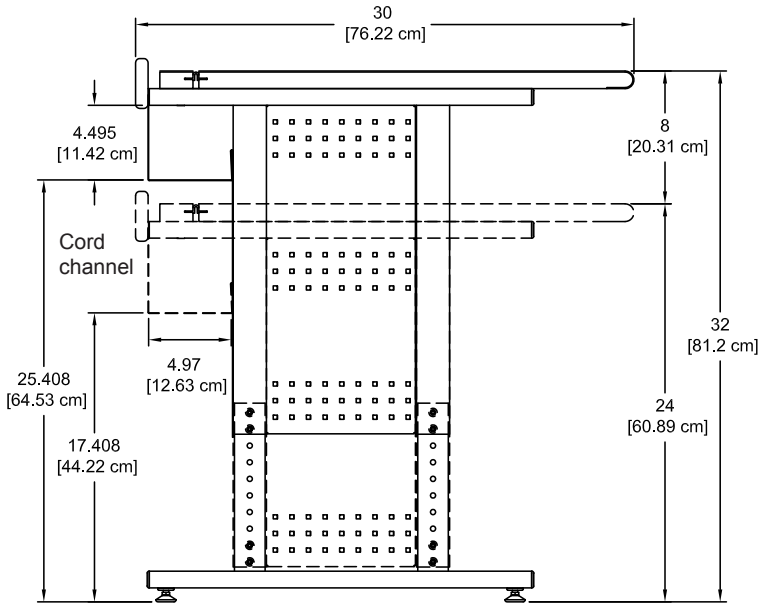
Note: Spectrum recommends adjustable legs be specified when an ADA-compliant desk is needed. Minimum ADA guidelines for knee clearances are 30"W [76.2 cm] x 19"D [48.3 cm] x 27"H [68.6 cm].

**Adjustable legs - 389XXADJ**

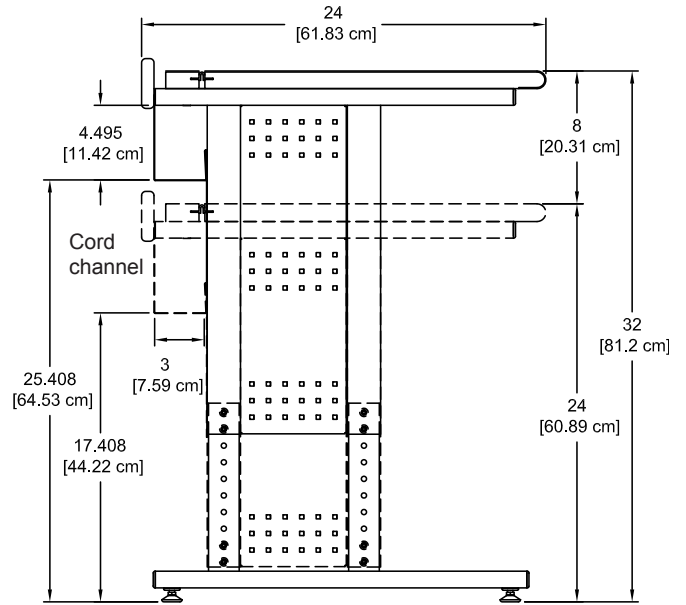
- 24"-32"H
- (see p.1 for part numbers)

Note: Adjustable legs allow the desk worksurface height to be adjustable from 24"-32" in 1" increments.

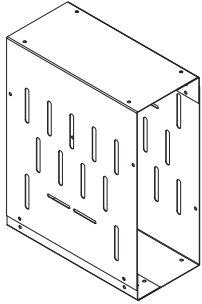
30"D Evolution Desk with adjustable legs (ADJ)



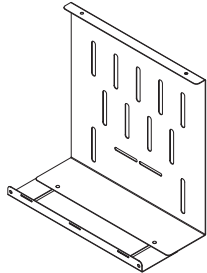
24"D Evolution Desk with adjustable legs (ADJ)



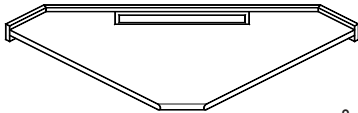
# Accessories



**Adjustable CPU sling - 95500**  
 • 8"-10"W x 17.5"D x 21"-23"H



**Adjustable Narrow CPU Sling - 95513**  
 • 5"-8.5"W x 18"D x 18"H



**90° Inside Corner 30\"D - 38906**  
**90° Inside Corner 24\"D - 38917**  
 • Connects two Evolution desks together in a corner



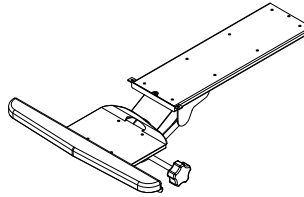
**7-Outlet Power Strip - 99024**  
 • Electrical Rating: AC 125V, 15 Amps  
 • 1000 Joules surge capacity  
 • 12' Cord length  
 • LED switch  
 • UL Listed  
 • Shipping weight: 1.9 lb [.86 kg]



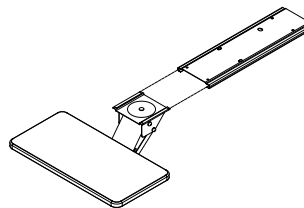
**Seclusion Power Module - 99041, 99042**

- 99041 - 1 AC outlet, 2 USB ports
- 99042 - 2 AC outlets, 2 CAT 6 data ports
- Easy installation above or below worksurface-no cutouts required
- USB ports charge any electronic device that is capable of being charged via a 5V power adapter
- USB Rating: 700mA 5V DC
- Available in Black or Silver
- UL / CUL Listed

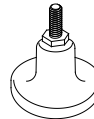
Note: Adjustable-legs are recommended when using keyboard trays to provide sufficient leg clearance.



**Econo Keyboard Tray - 95520**  
 Platform: 18.375"W [46.67 cm]  
 x 12"D [30.48 cm]  
 Slide: 17.75"D [45.09 cm]



**Micro-arm Keyboard Tray - 95506**  
 Platform: 19.75"W [50.17 cm]  
 x 10"D [25.4 cm]  
 Slide: 17.75"D [45.09 cm]



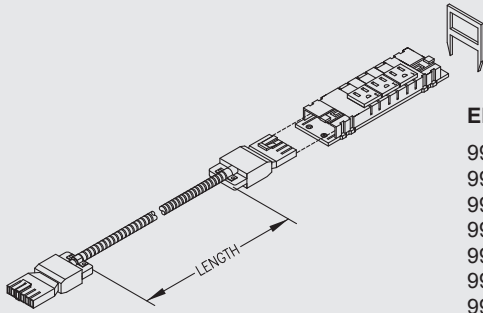
**1\" Bell Glide Riser Kit - 98513**  
 • Raises worksurface height 1"  
 [2.54 cm]  
 • 5/16-18 thread  
 • Set of 4  
 • Shipping weight: .5 lb [.23 kg]



**3\" Locking Casters - 98508**  
 • 2 locking, 2 non-locking  
 • 5/16-18 x .75" threaded stem  
 • Set of 4  
 • Weight capacity: 110 lb [50 kg] each

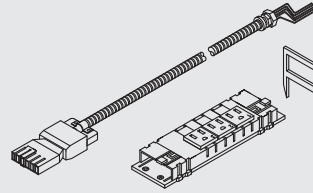
Note: Casters cannot be installed on adjoining desks connected with unit-to-unit brackets, as interference will occur between casters. Before installing casters, any unit-to-unit brackets need to be removed-this will result in a small gap between adjoining desks.

## EP8 Kits and Accessories



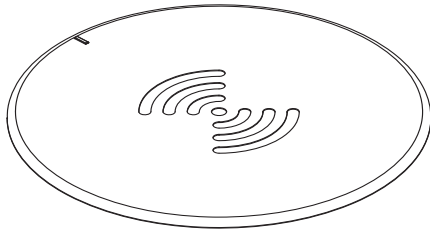
### EP8 Kits:

99011 - 72"  
 99010 - 60"  
 99018 - 48"  
 99009 - 44"  
 99008 - 36"  
 99014 - 30"  
 99013 - 24"



### Base Power Feed - 99022

with 36" flexible cord



### EM Wireless Charging Pad - 99057

- Uses electromagnetic technology to charge Qi V1.2 compliant IC devices ("Qi" enabled)
- LED to confirm pairing / charging
- Security tab prevents theft
- Requires 3" round cutout to be made by customer
- UL-certified

Note: The unit requires a 7" diameter of clearance to work with Qi-enabled phones placed in any orientation. The 3" dia cutout should be located on the worksurface at least 3.5" from any edge.

|                  |  |
|------------------|--|
| Cutout required: | 3" dia (by customer)                         |
| Input:           | DC 5V (with included DC5V.2A power adapter)  |
| Output:          | 5W max (with included DC5V.2A power adapter) |
| Power cord:      | 8' [244 cm] with DC jack                     |
| Dimensions:      | 3.5" dia [8.9 cm] x 1.125"H [2.9 cm]         |
| Shipping weight: | 1 lb [.45 kg]                                |



### Flat Panel Monitor Arm

**95512** - "Light-Duty" for monitors weighing 2-13 lb [9-5.9 kg]  
**95522** - "Medium-Duty" for monitors weighing 7.5-25 lb [2.5-11.4 kg]  
**95509** - "Heavy-Duty" for monitors weighing 12-31 lb [5.4-14 kg]

- Six mounting options (clamp, thru-desk, wall, grommet hole, side bolt, reverse wall)
- Compatible with all VESA® monitors – includes 75mm and 100mm VESA® adapters
- Cable management concealed in arm



### Dual Flat Panel Monitor Arm - 95533

- Weight range: 3.5-13 lb [1.6-5.9 kg] per monitor
- Six mounting options (clamp, thru-desk, wall, grommet hole, side bolt, reverse wall)
- Compatible with all VESA® monitors – includes 75mm and 100mm VESA® adapters
- Cable management concealed in arm

See [spectrumfurniture.com](http://spectrumfurniture.com) for the latest accessories and detailed warranty information.

# Warranty

## We will make it right for you!

Spectrum is committed to provide complete customer satisfaction. Each of our products is manufactured from the best materials available and each product is stringently monitored throughout the production process through our Quality Management System.

We expressly warrant that Spectrum products will be of good quality and workmanship and free from defect for the period set out in the warranty table below from the date of delivery. This warranty shall not apply to defects or damage resulting from normal wear and tear, misuse, or unintended use, failure to follow instructions related to the product's installation or intended use, abuse, neglect, improper care, modification or repair not authorized by Spectrum, or any other cause outside the control of Spectrum. Spectrum will, at its sole option, either repair or replace the defective product.

This warranty is exclusive; no other warranty, written or oral, is expressed or implied. This warranty is given by Spectrum to Buyer or Buyer third party end user and to no other person or legal entity. No Spectrum dealer, distributor, partner, reseller, agent or employee is authorized to make any modification or addition to this warranty.

**NOTWITHSTANDING ANYTHING TO THE CONTRARY, SPECTRUM WILL NOT UNDER ANY CIRCUMSTANCES BE LIABLE FOR INDIRECT OR LIQUIDATED DAMAGES, INCLUDING CONSEQUENTIAL, INCIDENTAL AND SPECIAL DAMAGES. IN NO EVENT SHALL SPECTRUM'S LIABILITY, WHETHER UNDER CONTRACT OR WARRANTY, IN TORT OR OTHERWISE, EXCEED THE PURCHASE PRICE RECEIVED BY SPECTRUM FOR THE PRODUCT AT ISSUE AND "RECALL ACTION" EXPENSES. SPECTRUM SHALL NOT BE SUBJECT TO ANY OTHER OBLIGATIONS OR LIABILITIES, WHETHER ARISING OUT OF BREACH OF CONTRACT, WARRANTY, TORT (INCLUDING NEGLIGENCE AND STRICT LIABILITY) OR OTHER THEORIES OF LAW, WITH RESPECT TO PRODUCTS SOLD OR SERVICES RENDERED BY SPECTRUM, OR ANY UNDERTAKINGS, ACTS OR OMISSIONS RELATING THERETO.**

Our Customer Service Department is ready to provide immediate attention to any questions, comments or concerns. They are available to answer your calls Monday through Friday from 7 am to 5 pm CST. In addition your product comments or concerns are welcome via e-mail at: [spectrum@spectrumfurniture.com](mailto:spectrum@spectrumfurniture.com).

Warranty Table

| Item  | Warranty Period |
|---|-----------------|
| Desk, table, cart and lectern chassis   | 10 Years        |
| Electrical  | 2 Years         |
| Flat panel monitor arms / gas spring / general parts  | 2 Years         |
| Adjustable crank / electric legs and accessories  | 2 Years         |
| Flat panel desk gas spring cylinders  | 2 Years         |
| Height adjustable columns, lifts & accessories  | 2 Years         |
| Casters & wheels  | 2 Years         |
| Keyboard, mouse, trays  | 2 Years         |
| Locks & keys  | 2 Years         |
| Tubs, totes and other accessories   | 1 Year          |
| Chairs  | 7 Years         |
| Structural components, including gas cylinders, wood, metal and plastic parts (i.e., chair frames, bases and control handles) |                 |
| Consumable items (i.e., casters, glides, etc.)  |                 |
| In-stock upholstery   | 5 Years         |
| Customer supplied material  | No Warranty     |

