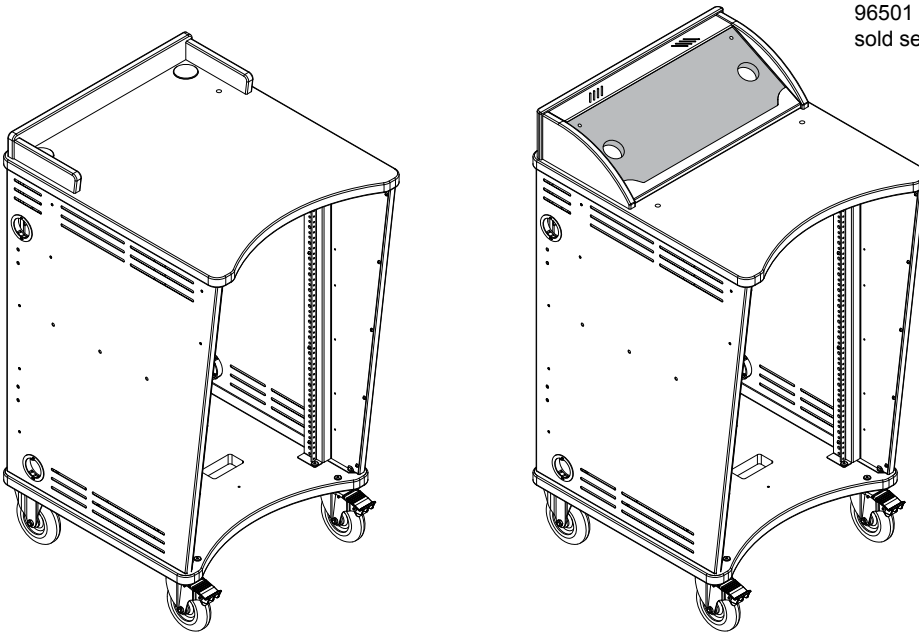


Technical Specifications

55400

96501 Blank Insert Panel  
sold separately (shown shaded)



205 Westwood Ave, Long Branch, NJ 07740  
Phone: 866-94 BOARDS (26273) / (732)-222-1511  
Fax: (732)-222-7088 | E-mail: sales@touchboards.com

**Ordering Instructions**

Spectrum has designed this lectern to receive the useful options shown here. To get options factory-installed, they must be specified when the lectern is ordered. To ensure your lectern and the factory-installed options are ordered correctly please call 1-800-235-1262.

Use the Inspiration Lectern where a small-footprint lectern with rack rail for equipment storage is required. The Inspiration Lectern is available in two heights; 36 inch and 42 inch. The 36-inch lectern has 15 rack units available and the 42-inch lectern has 19 rack units. On the audience side is a lockable door that can have an optional custom-cut logo. An optional locking presenter side door is available. The lectern can have either a toe kick or five-inch balloon casters installed for stationary or mobile use. The worksurface is 24-inches wide and 28-inches deep. The worksurface has a surround, two covered wiring holes, and two mounting holes for optional monitor arm installation on the left or right. An optional Overbridge Control Console can be added to the worksurface for additional control access. Up to two optional flip-up shelves can be added to increase the worksurface size. An optional keyboard tray is available. Other options available include a side table that can be mounted to the left or the right side of the lectern, audience side rack rail to double the rack units, and rack-mount accessories (shelves, drawers, cooling fans, and others).

**Size**

36"H or 42"H

**Worksurface**

- Standard with surround
- Overbridge Control Console™

**Base**

- BW 4 swivel balloon wheels
- SR 2 rigid, 2 swivel balloon wheels  
(provides more control when mobile)
- TK Toe kick

**Features and Benefits**

- Available in 36" or 42" heights for optimal viewing level
- Durable powder coated steel chassis provides a long-lasting finish
- Scratch and impact-resistant high-pressure laminate top provides a durable, useful worksurface for instructors
- Four inboard 5" locking balloon wheel plate casters with metal construction and non-marring rubber provide the easiest-rolling, and quietest transport in the industry (rated for 325 lb each) (BW/SR)
- Toe kick (TK) version available when mobility is not necessary or desired
- Standard locking audience-side door provides easy-access to equipment (can be flipped to be hinged from the left or right)
- Standard worksurface surround provides privacy and styling
- Blank overbridge console version allows custom cutouts and installation of presentation controllers
- Two 2" cable grommets (left and right) on the worksurface or overbridge provide cable access
- Rack-rail equipment mounting (42"H - 19RU, 36"H - 15RU)
- Locking audience side door provides security and easy-access
- Ventilated side panels help keep equipment cool
- Cable grommets keep wires and cords organized
- Can be used in a seated or standing position
- Worksurface and base panel vinyl edging protects walls and furniture
- Lectern ships fully-assembled with handle for quick, simple integration and deployment
- Optional ADA-compliant side table provides additional presentation space
- Optional keyboard tray can be installed under worksurface (42" version only)
- Optional flip-up document camera/task shelf provides a convenient additional worksurface
- Optional locking instructor-side door provides security
- Optional rear rack rail provides additional rack units if necessary
- SCS Indoor Advantage Certified; meets or exceeds applicable ANSI-BIFMA test standards
- Warranted to be free of all defects in materials and workmanship for 10 years
- Assembled in Chippewa Falls, WI, USA

**Color Options**

Standard laminate / color combinations

Wild Cherry / Black  
(CHB)



Indigo Organix / Black  
(IB)



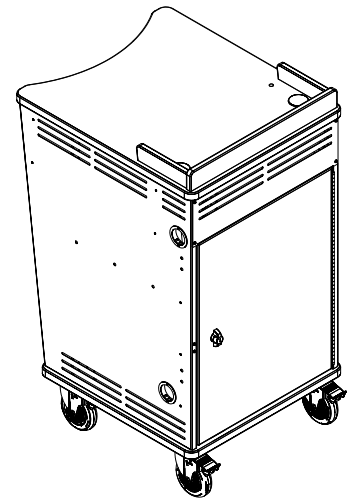
Fusion Maple / Black  
(FMB)



Standard color combination refers to the quickest deliverable product color combination. Custom laminates and color combinations are available-additional lead-times and up-charges may apply. Call 1-800-235-1262 for further information.

# Construction

- The worksurface and base panel is constructed from .063" thick NAUF (no added urea formaldehyde) composite board with .030" high-pressure laminate on one face, and a balancing phenolic backer on the opposing face
- Metal components consist of 16-gauge steel
- Solid wood worksurface surround
- Worksurface edges are covered with 3mm vinyl
- All metal components are finished with a scratch-resistant powder coat epoxy
- Each Inspiration Lectern is factory-assembled with casters or toe kick, packaged, and shipped on its own skid

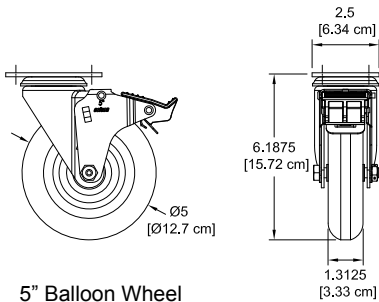


Audience side view

# Specifications

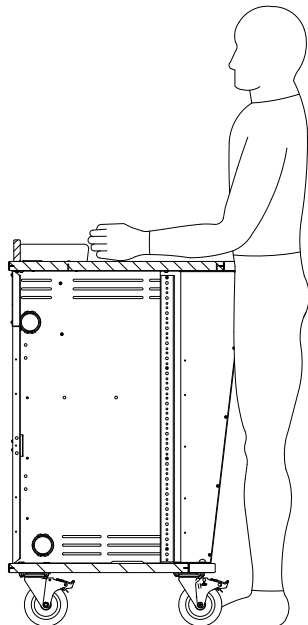
Total internal area (nominal)	21.5"W x 18.75"D x 28"H (36"H) 21.5"W x 18.75"D x 34"H (42"H)	
Standard rack rail	<b>36"H</b> 15RU	<b>42"H</b> 19RU
5" Balloon Wheels	Weight capacity 325 lbs each	
Unit weights (nominal)	<b>36"H</b> 89 lb [40.4 kg] 99 lb [45 kg] with OCC	<b>42"H</b> 95 lb [43.1 kg] 105 lb [47.7 kg] with OCC
Shipping weights (nominal)	<b>36"H</b> 124 lb [56.3 kg] 134 lb [60.8kg] with OCC	<b>42"H</b> 130 lb [59 kg] 140 lb [63.6 kg] with OCC

Specifications subject to change without notice

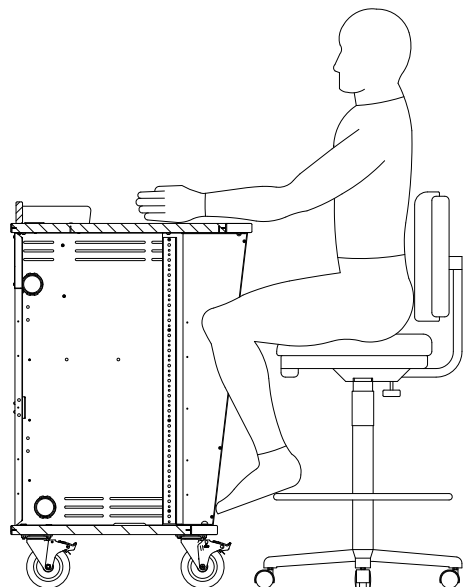


5" Balloon Wheel

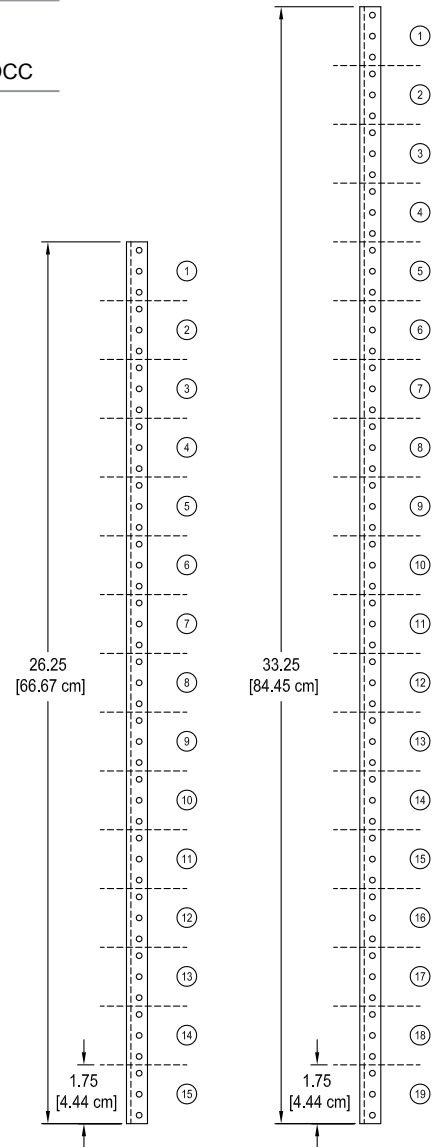
Note: Rack-mount accessories with a depth greater than 18"D will not fit inside the Inspiration Lectern. Check the dimensions of all equipment before installation.



Standing position  
(42" Inspiration shown)



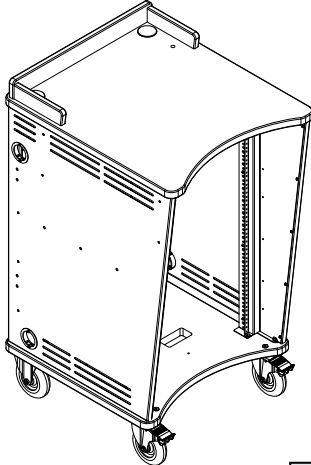
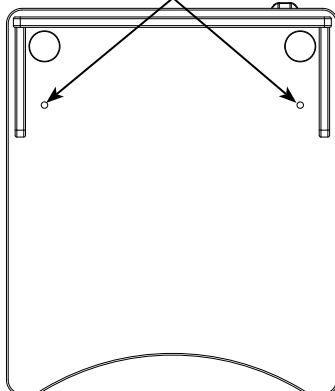
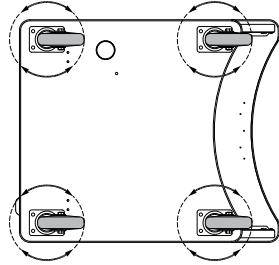
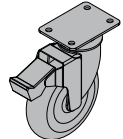
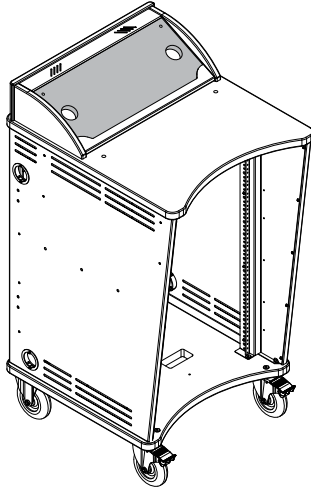
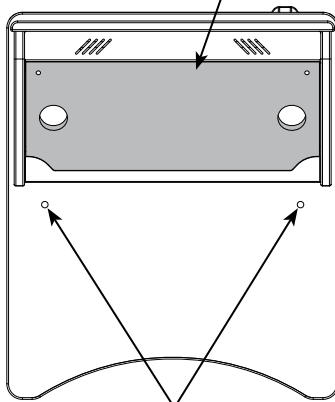
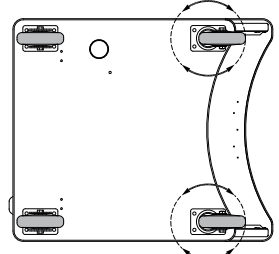
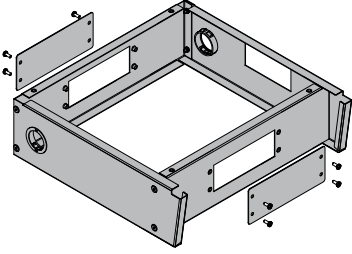
Seated position  
(42" Inspiration shown)



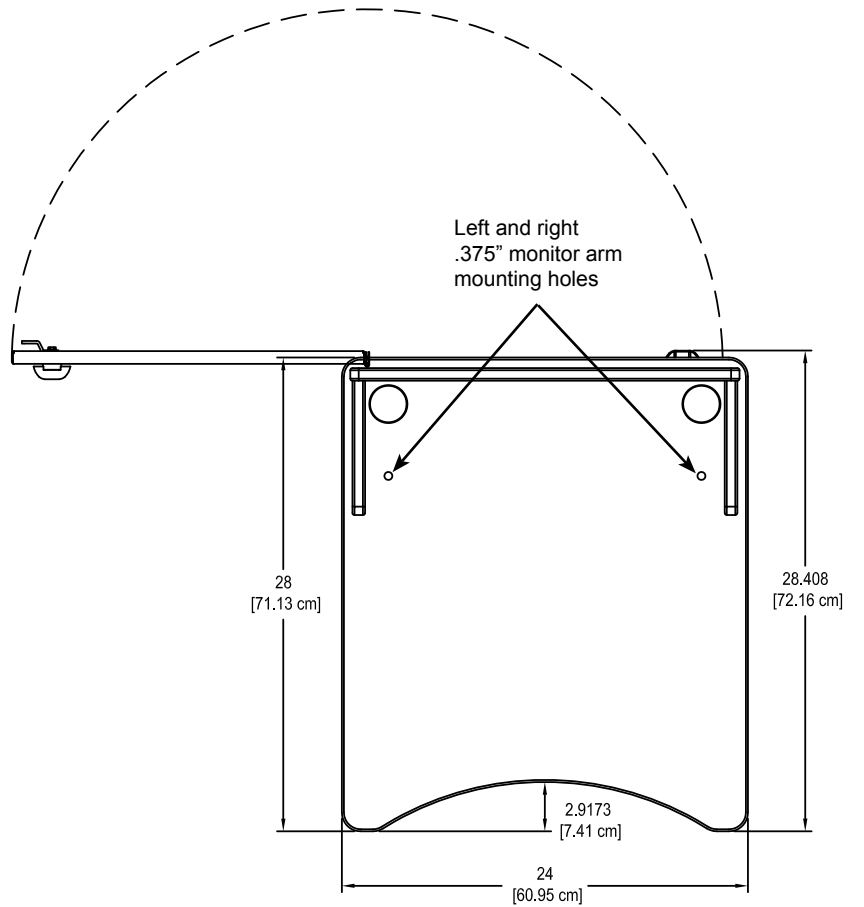
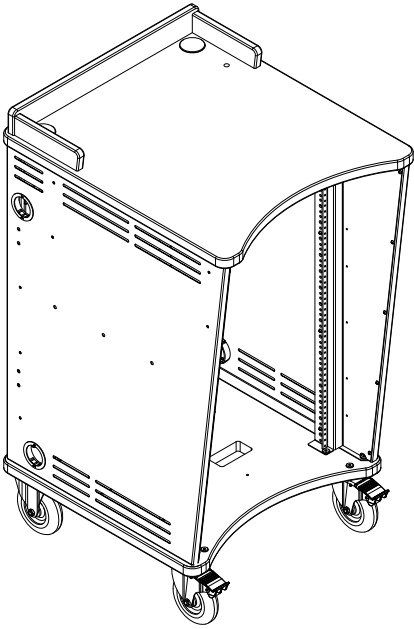
36"H  
15RU available

42"H  
19RU available

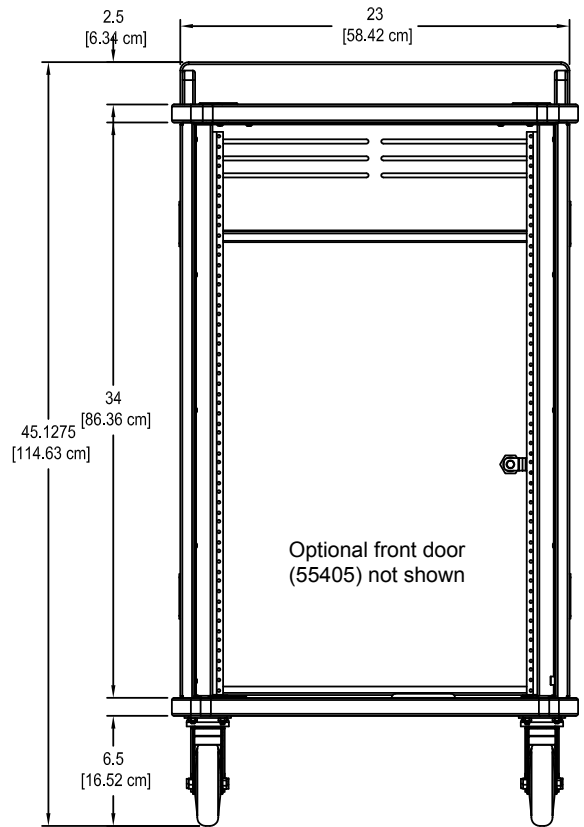
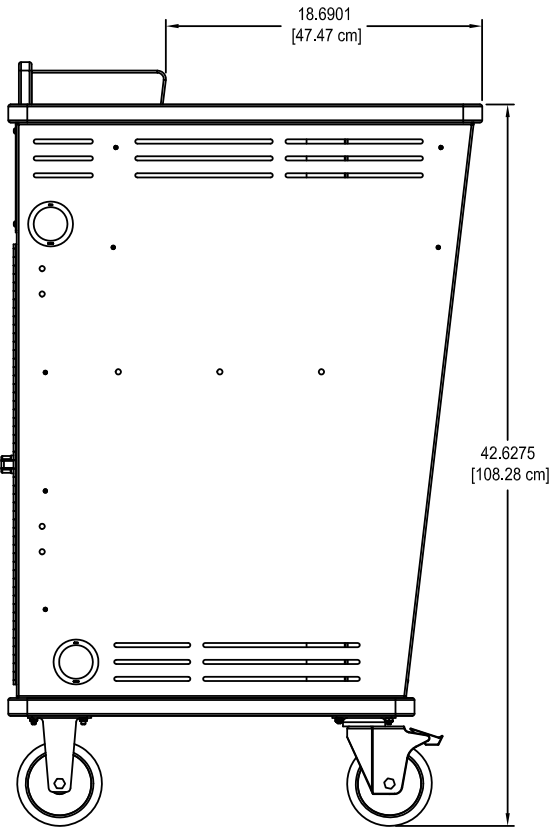
# Models

	Worksurface:	Base Options:
<p><b>Standard Inspiration Lectern</b></p>  <div style="display: flex; justify-content: flex-end; align-items: center; margin-top: 10px;"> <div style="border: 1px solid black; padding: 2px; margin-right: 5px;">42"H</div> <div style="border: 1px solid black; padding: 2px;">36"H</div> </div>	<p>Left and right .375" monitor arm mounting holes</p>  <p>Surround with two 2" grommet holes with covers in worksurface and two .375" holes with plugs for optional monitor arm mounting.</p>	 <p><b>BW</b>  <b>5" Balloon Wheels (4 swivel)</b>  <i>Provides more maneuverability in tight spaces, but less control when mobile</i></p> 
<p><b>Inspiration Lectern with Overbridge Control Console</b></p>  <div style="border: 1px solid black; padding: 5px; margin-top: 10px;"> <p>Note: The insert panel shown (<i>shaded</i>) is <u>not</u> included with the lectern or overbridge. This option needs to be ordered separately to complete the overbridge.</p> </div> <div style="display: flex; justify-content: flex-end; align-items: center; margin-top: 10px;"> <div style="border: 1px solid black; padding: 2px; margin-right: 5px;">42"H</div> <div style="border: 1px solid black; padding: 2px;">36"H</div> </div>	<p>96501 Blank Insert panel</p>  <p>Left and right .375" monitor arm mounting holes</p> <p>Overbridge with blank insert panel for custom cutouts (see p.8 for dimensions). Overbridge is not available separately. Includes two 2" grommet holes with covers. Worksurface in front of overbridge includes two .375" holes with plugs for optional monitor arm mounting.</p>	 <p><b>SR</b>  <b>5" Balloon Wheels (2 swivel, 2 rigid)</b>  <i>Provides more control when mobile, but less maneuverability in tight spaces</i></p>  <p><b>TK</b>  <b>Standard Toe Kick</b></p>

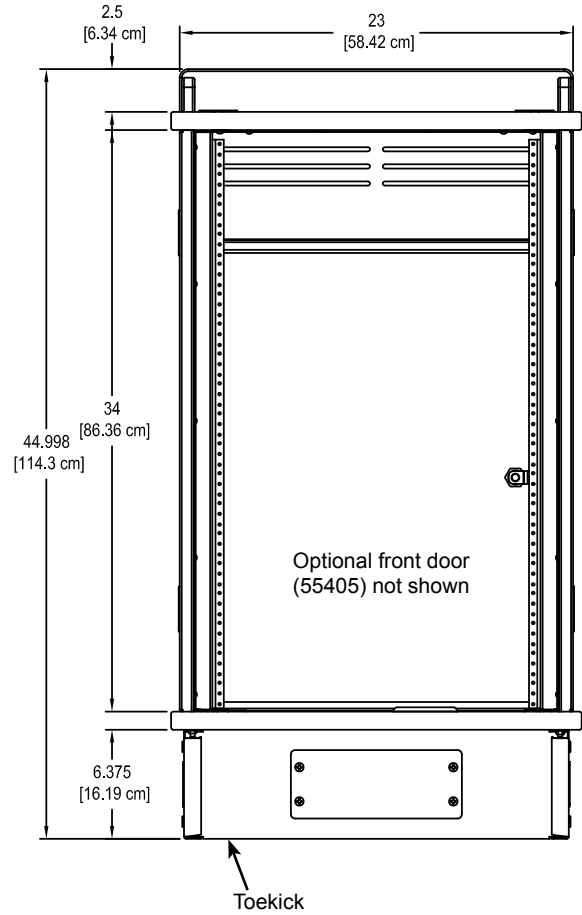
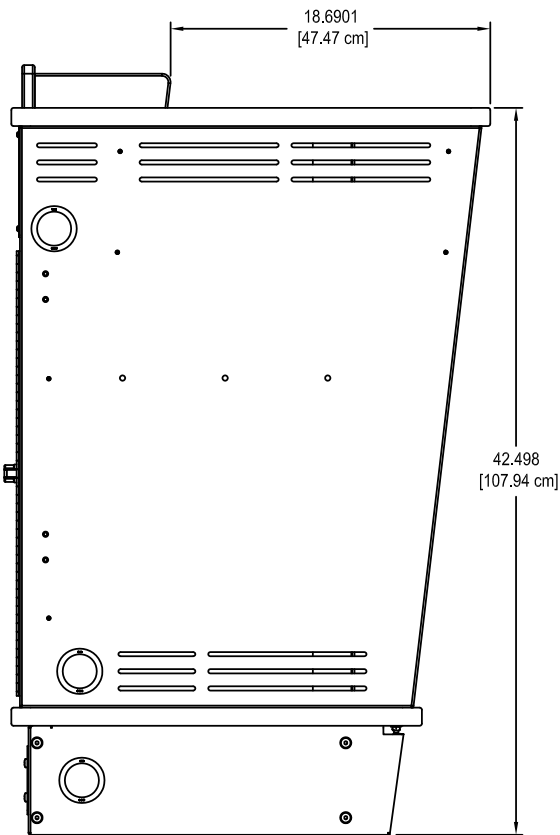
42" Inspiration Lectern



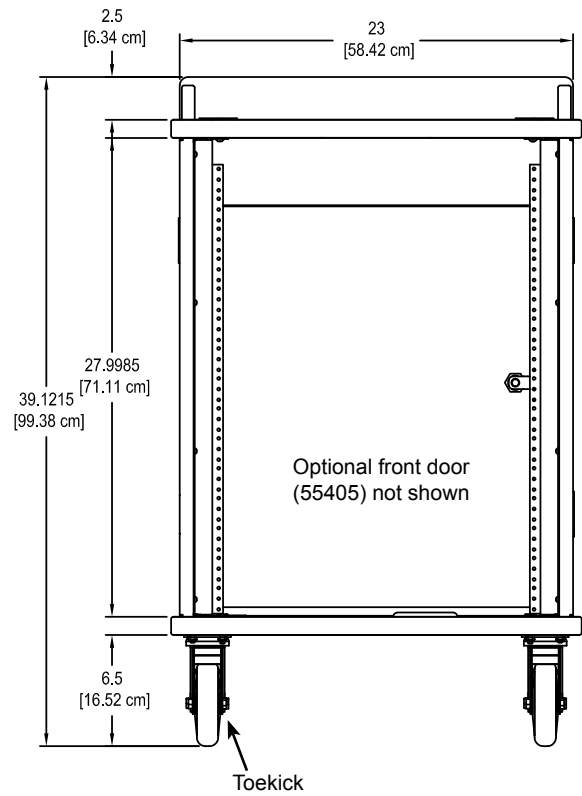
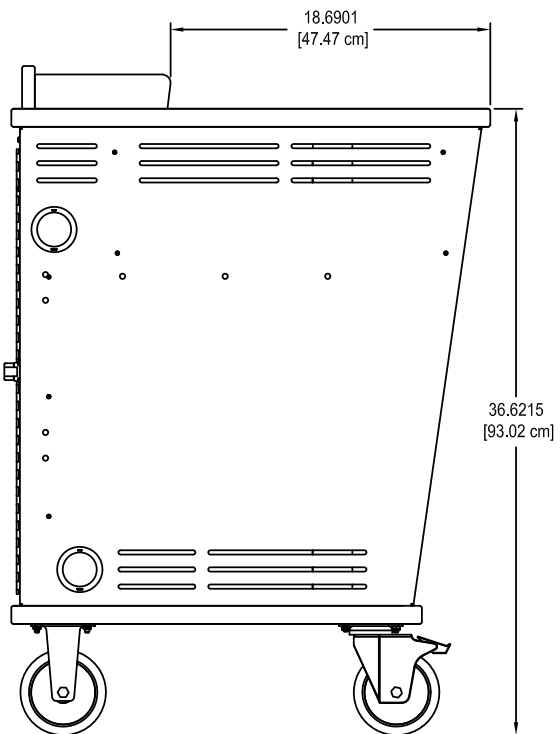
Note: Modified worksurface cutouts should be reviewed by Spectrum to ensure clearance of brackets, keyboard slides, or other objects under the worksurface.



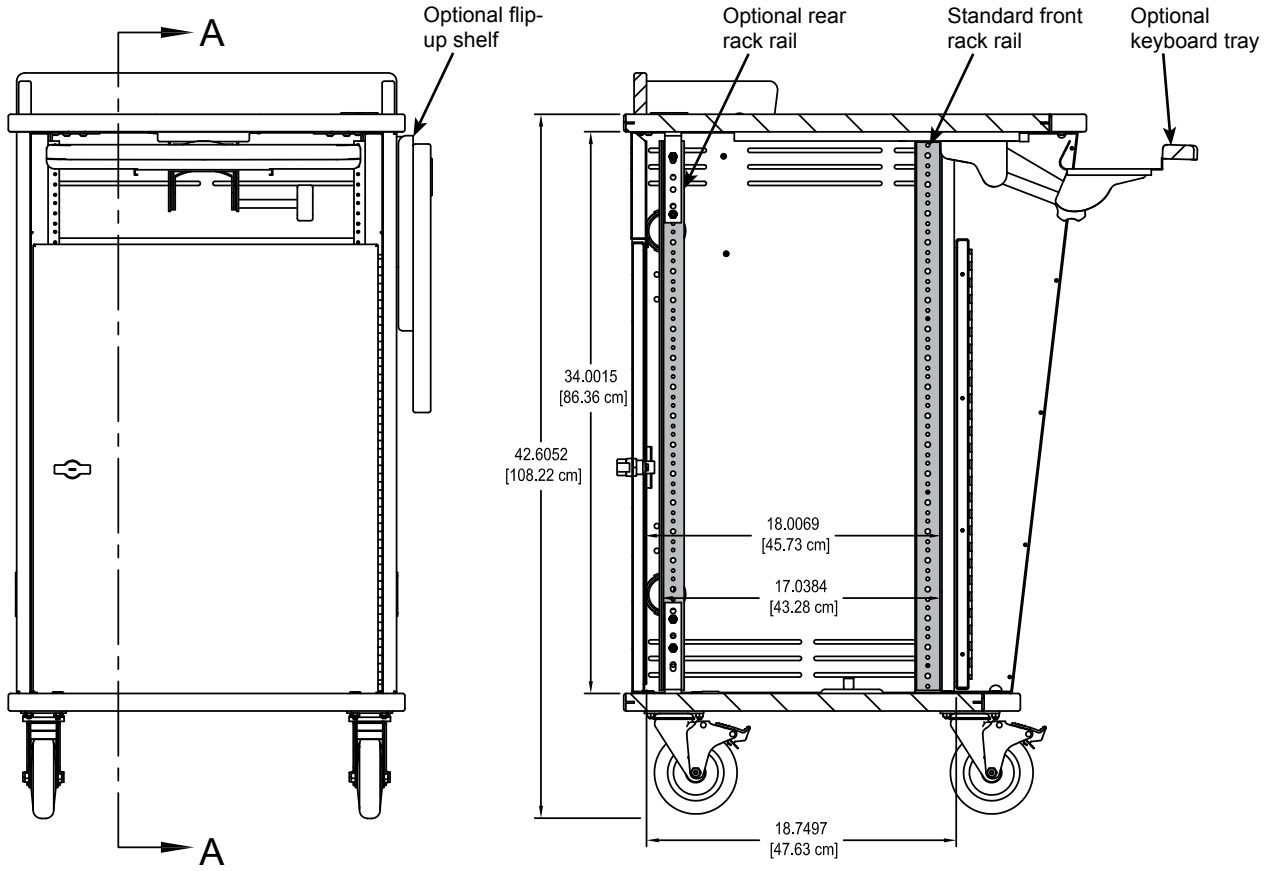
42" Inspiration Lectern with Toekick



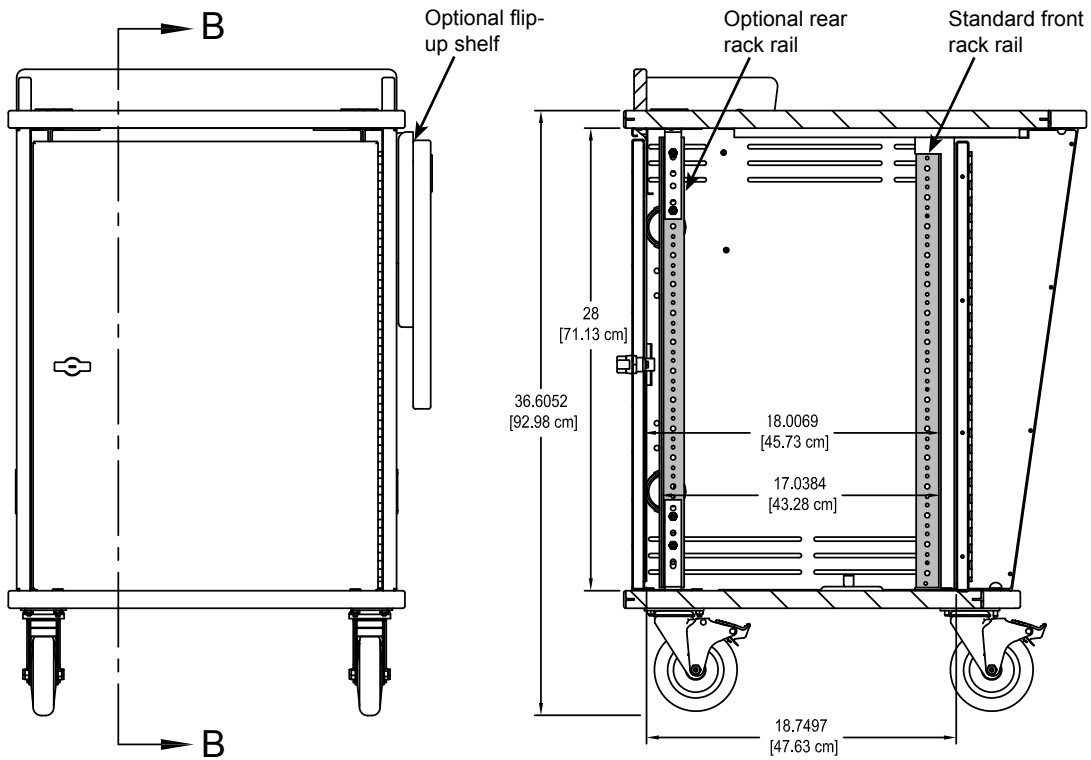
36" Inspiration Lectern with 5" Balloon Wheels



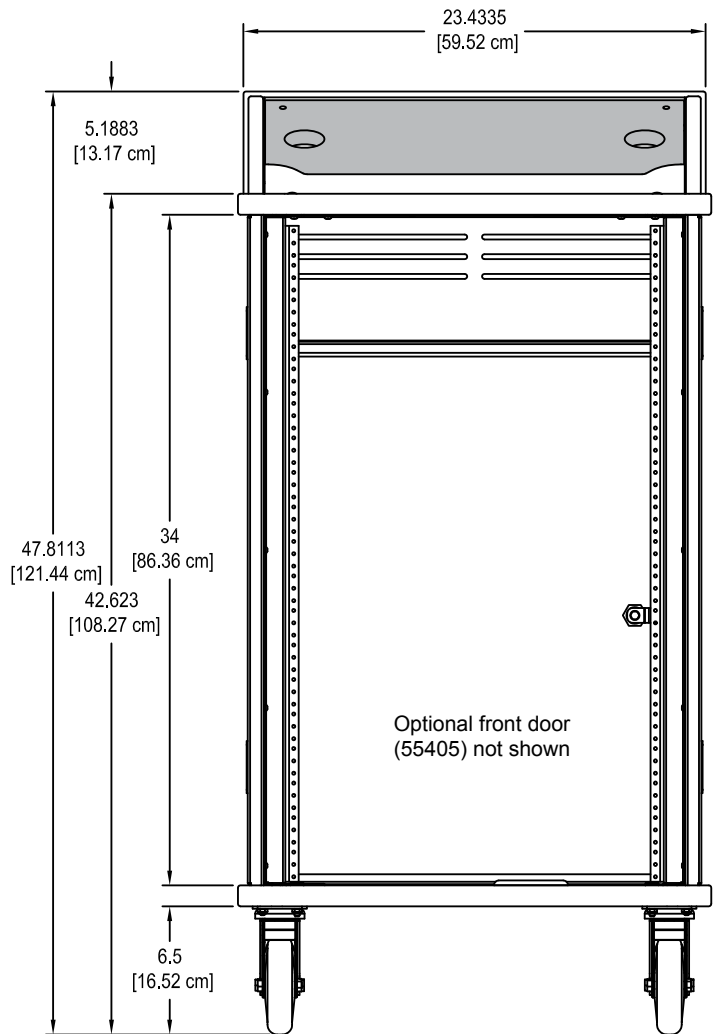
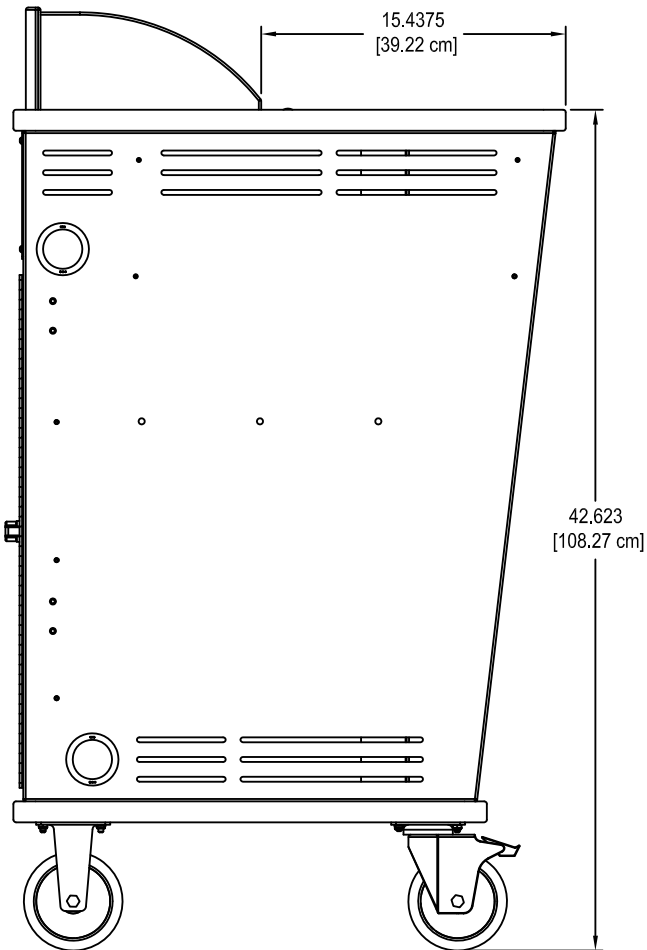
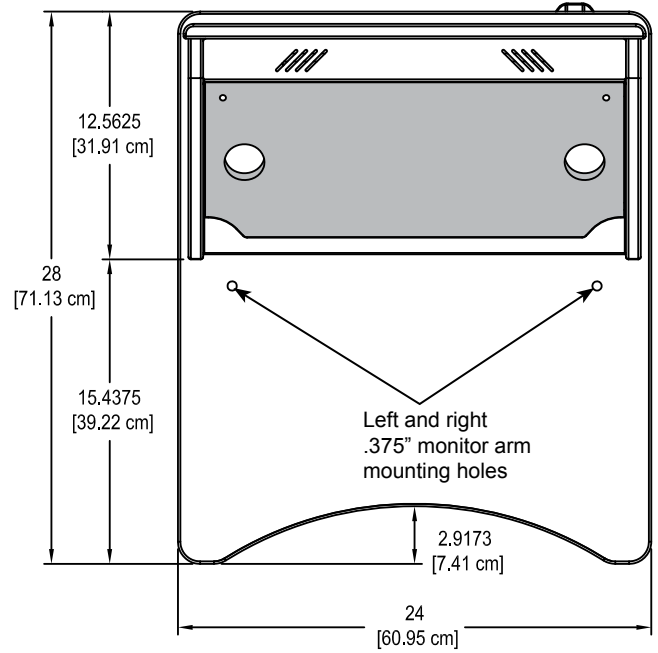
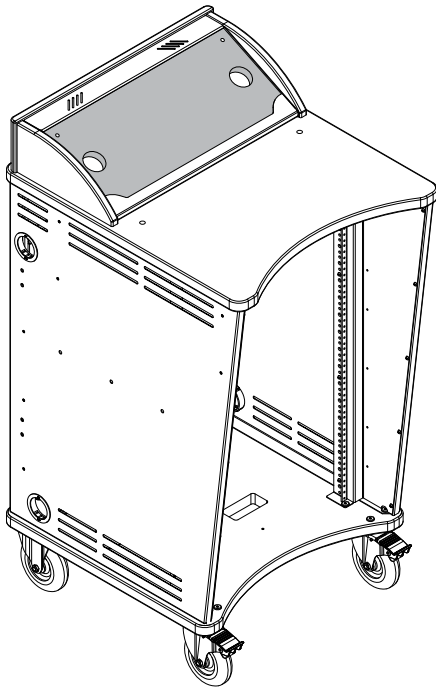
42" Inspiration Lectern  
section view



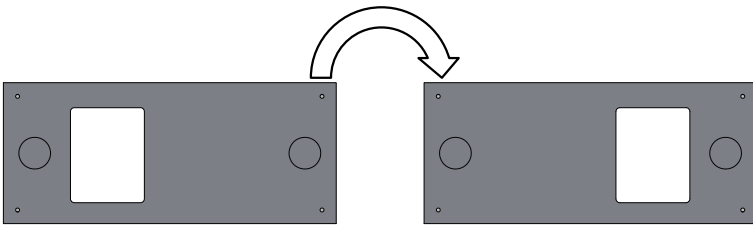
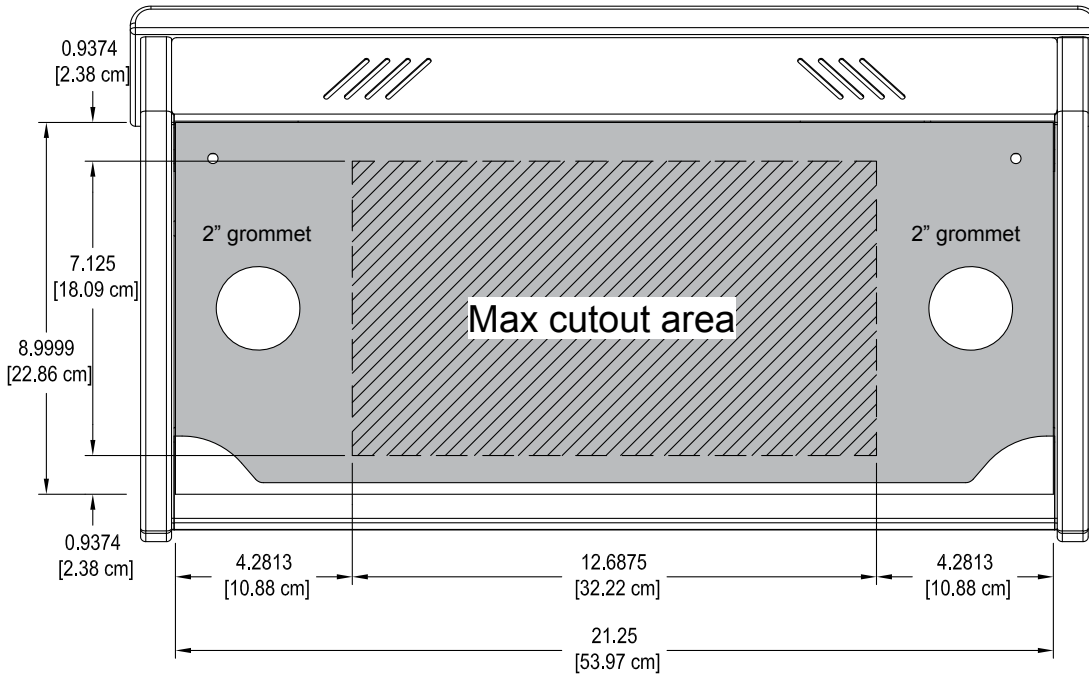
36" Inspiration Lectern  
section view



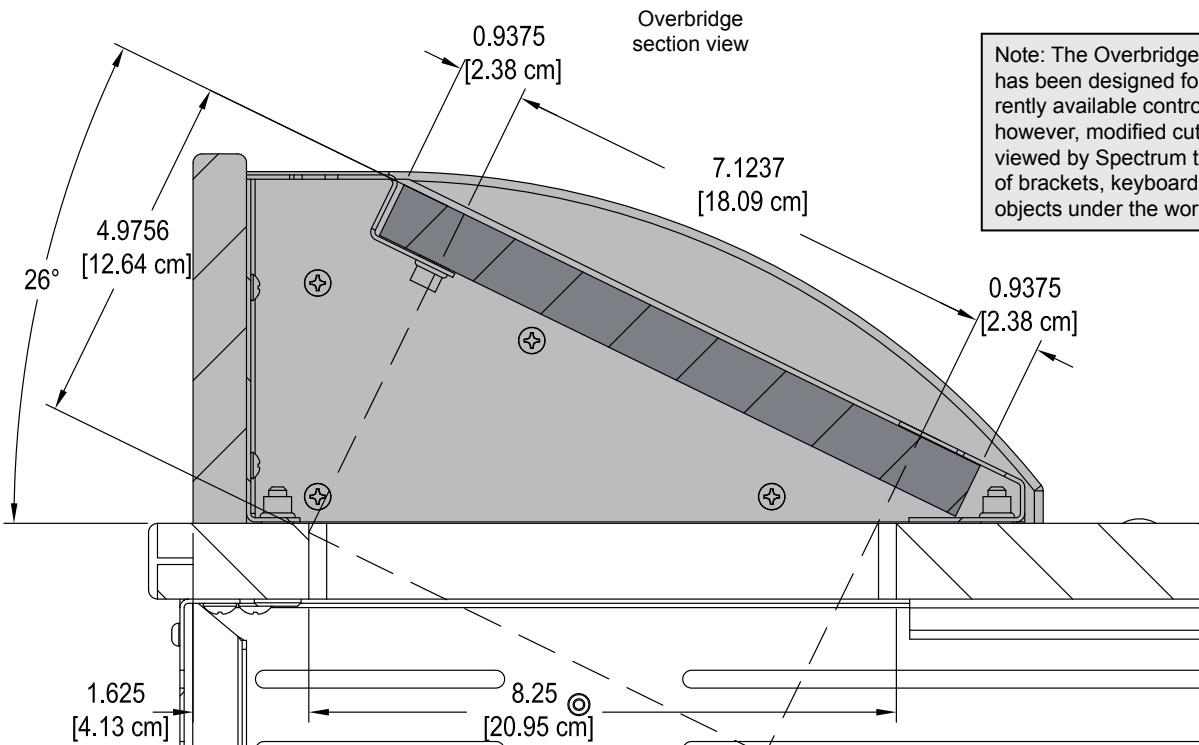
36" Inspiration Lectern  
with Overbridge Control Console  
and 5" Balloon Wheels



Inspiration Overbridge Insert Panel Blank  
(flat view)



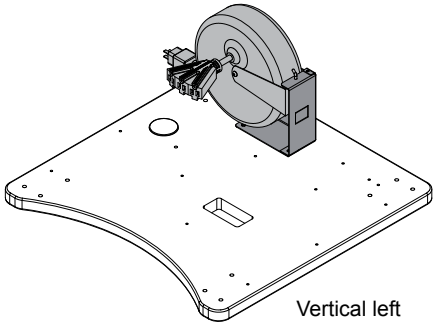
Note: The insert panel shown (*shaded*) is **not** included with the lectern or overbridge. This option needs to be ordered separately to complete the overbridge. This insert panel is horizontally symmetrical and can be easily removed, rotated, and re-installed if a cutout needs to be relocated to the opposite side of the overbridge.



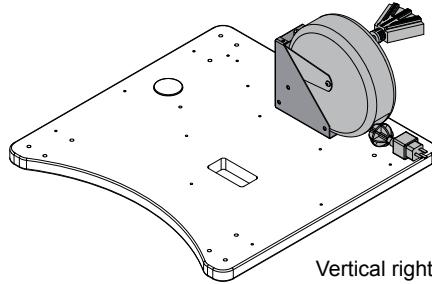
Note: The Overbridge Control Console™ has been designed for many of the currently available controllers on the market, however, modified cutouts should be reviewed by Spectrum to ensure clearance of brackets, keyboard slides, or other objects under the worksurface.



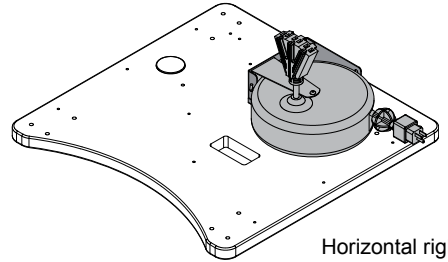
Optional Universal Cord Reel  
(Available positions on base)



Vertical left  
(takes up 6RU)

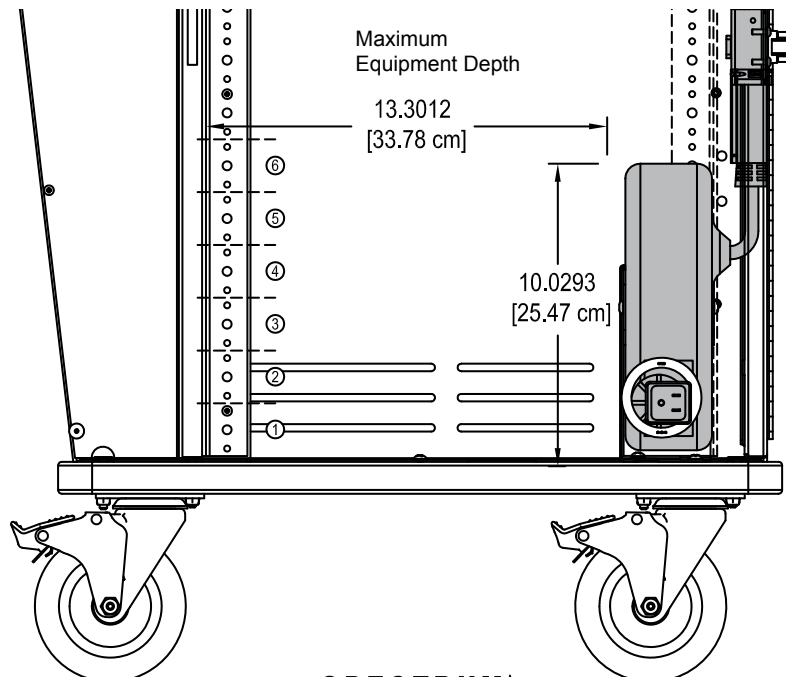
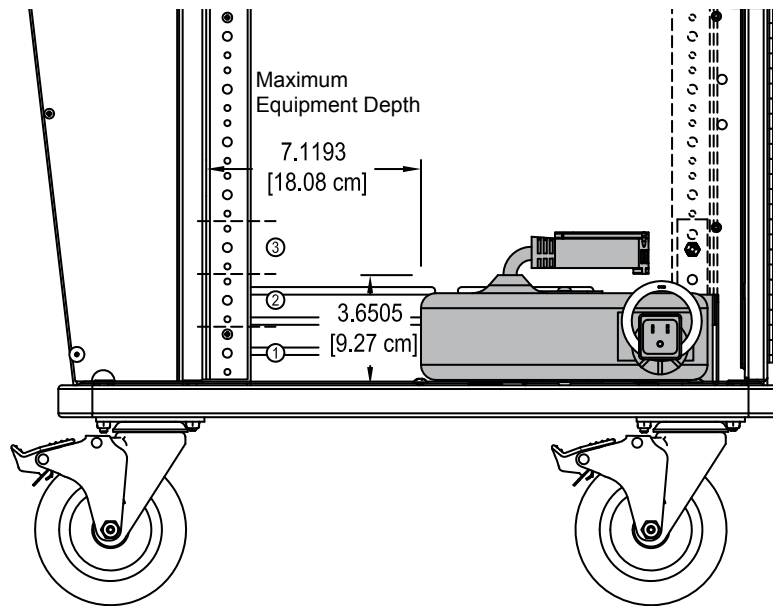


Vertical right  
(takes up 6RU)

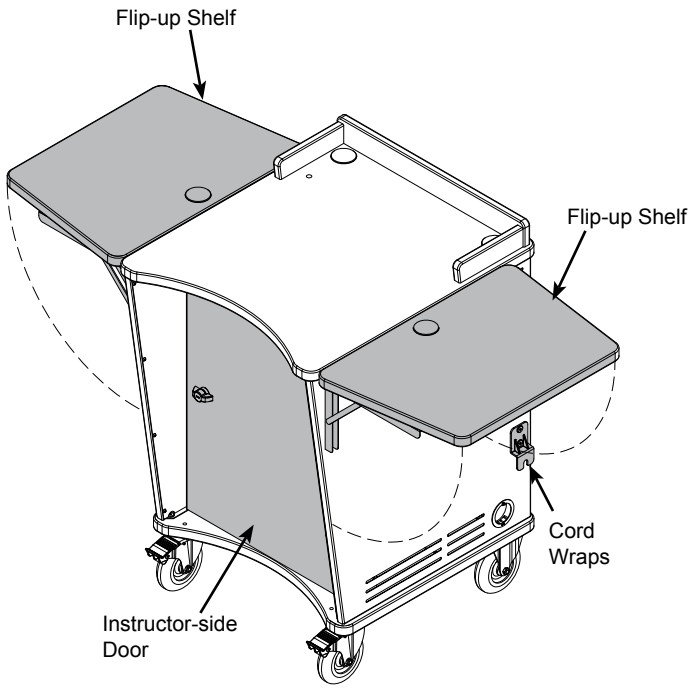


Horizontal right  
(takes up 3RU)

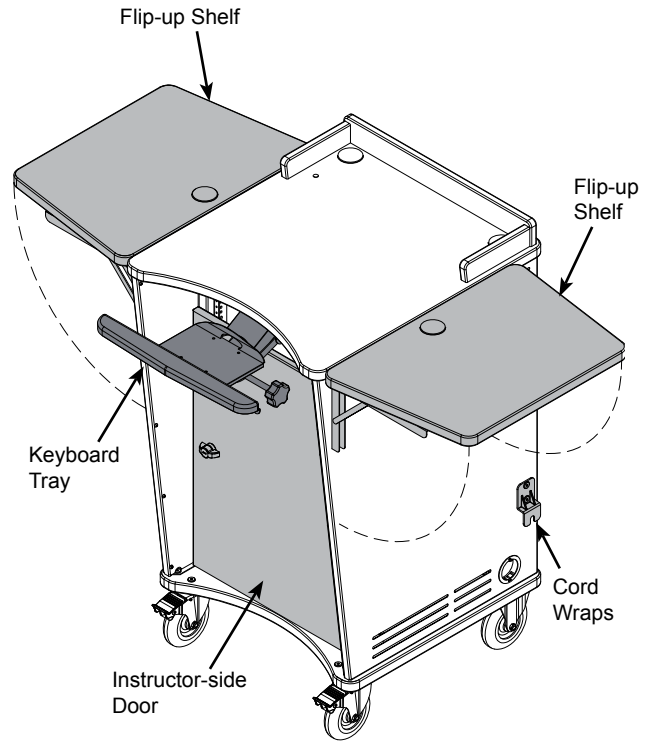
Inspiration with optional Universal Cord Reel Kit  
99037  
(available rack spacing)



# Options



**36" Inspiration Lectern with options**

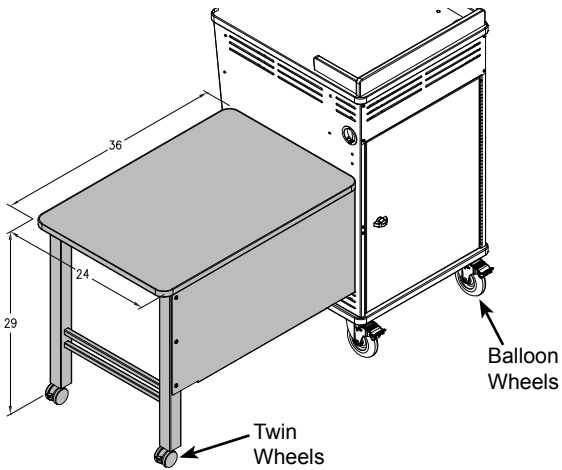


**42" Inspiration Lectern with options**

Note: When the door option is used on a 36"H Inspiration Lectern, a keyboard tray cannot be used.

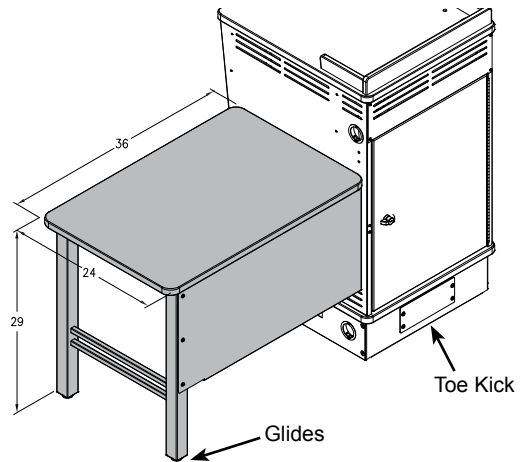
Note: If the door option is used on a 42"H unit without an installed keyboard tray, a 4RU rack-mount blank should be installed above the door to maintain security.

**Ordering Instructions:**  
 Spectrum has designed this lectern to receive the useful options shown here. Some options are available factory-installed (see below). This must be specified when the lectern is ordered. To ensure your lectern and the factory-installed options are ordered correctly please call 1-800-235-1262.  
 When the 554XX product numbers are specified, the option is shipped separately and is customer-installed.



**Side Table with Twin Wheels - 55410TW**

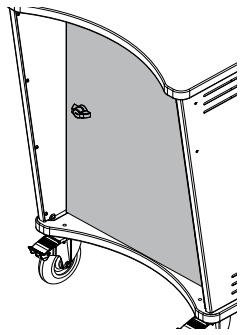
- For 36" or 42" Inspiration Lecterns with Balloon Wheels
- ADA-compliant
- Mounts on left or right-side
- 36"W x 24"D x 29"H



**Side Table with Glides - 55409TK**

- For 36" or 42" Inspiration Lecterns with Toe Kick
- ADA-compliant
- Mounts on left or right-side
- 36"W x 24"D x 29"H

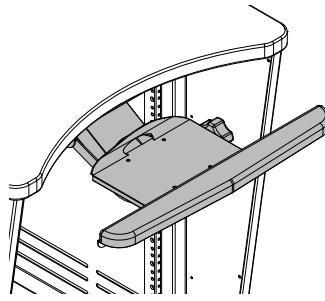




**Instructor-side Locking Door - 55405**

- With single-bolt lock, 28"H [71.12 cm]

Note: When the door option is used on a 36"H Inspiration Lectern, a keyboard tray cannot be used.

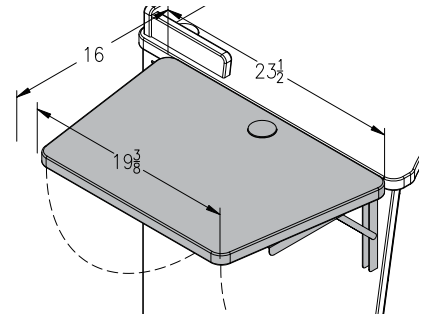


**Adjustable Econo Keyboard Tray**

- 95520** - Standard lectern 17.75"D [45.09 cm]
- 95531** - Overbridge lectern 13.75"D [30.48 cm]
- 18.375"W [46.67 cm] (max 1 per unit)

Note: 95531 comes with a shorter (13.75"D) keyboard slide. This option should be used with the overbridge lectern. When fully-retracted, the keyboard tray occupies 3RU of rack space at the top of the unit.

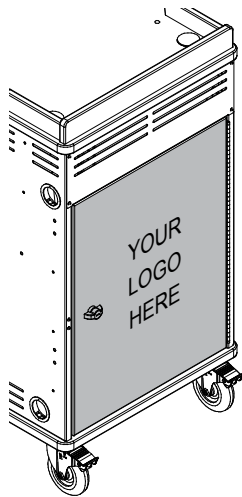
Note: When the door option is used on a 36"H Inspiration Lectern, a keyboard tray cannot be used.



**Flip-up Shelf - 55402**

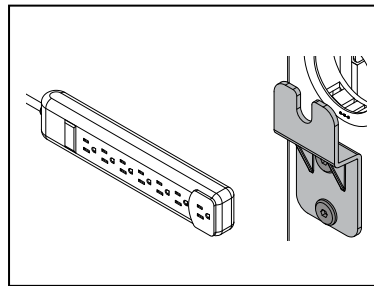
- Mounts on left or right (max 2 per unit)
- 16"W [40.64 cm] x 19.375"D [49.21 cm]
- 50 lbs [22.68 kg] max capacity

Note: Power and communication wiring for document cameras, laptop computers, and/or projectors placed on the flip-up shelf should be routed on top of the audience-side of the shelf. Use of the shelf grommet hole for wiring will result in pinching of the cords when the shelf is folded.



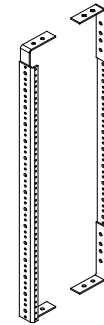
**Custom-cut Logo - 55141**

- Shown on audience-side door
- 20.875"W [53.02 cm] x 27.25"H [69.22 cm]
- Contact Spectrum for details



**Power Strip + (2) Cord Wraps - 55404**

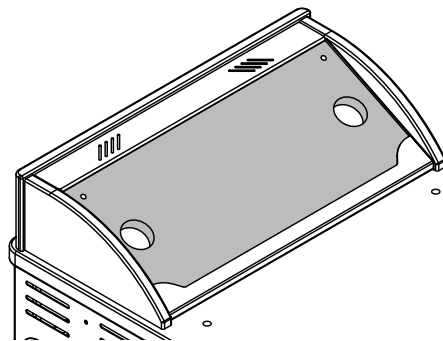
- 12"W [30.48 cm] x 2"D [5.08 cm] x 1.3125"H [3.33 cm]
- 7-outlet surge-protected
- 24" [457.20 cm] cord



Note: 42" Inspiration Lecterns have an audience-side structural panel that limits fully-accessible rear rack spacing to 15RU.

**15RU Rear Rack Rail Kit**

- 55408** - 36"H [91.44 cm] (15RU)
- 55407** - 42"H [106.68 cm] (15RU)
- Set of 2 rails with mounting brackets

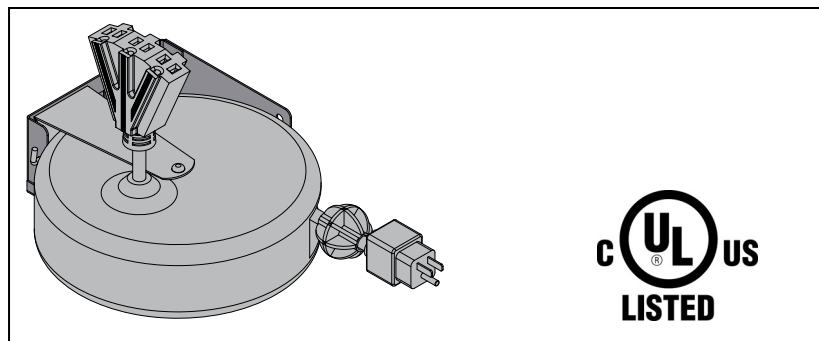


**Overbridge Insert Panel**

- 96501** - Blank panel
- 96501mod** - Panel with cutout(s)

Contact Spectrum to specify cutout size(s) and position(s)

- For overbridge version only
- Overbridge not available separately
- Includes two 2" [5.08 cm] grommets with covers



**Universal Cord Reel Kit - 99037**

- Includes universal mounting bracket
- Mounts horizontally or vertically inside lectern to base panel
- 15' [457.2 cm] retractable cord
- 12 AWG with breaker
- 10 lbs [4.5 kg]



Note: When installed, the cord reel takes up rack units from the bottom of the rack rail.  
Horizontal installation: 3RU  
Vertical installation: 6RU

**⚠** The cord reel is intended to provide temporary access to electrical outlets for Spectrum mobile lecterns. Check local electrical codes prior to installation.

# Warranty

## WE WILL MAKE IT RIGHT FOR YOU!

Spectrum is committed to provide complete customer satisfaction. Each of our products is manufactured from the best materials available and each product is stringently monitored throughout the production process through our P.A.C.E. program (Product Assurance to meet Customer Expectations).

We expressly warrant that Spectrum products will be of good quality and workmanship and free from defect for the period set out in the warranty table below from the date of delivery. This warranty shall not apply to defects or damage resulting from misuse, abuse, neglect, improper care, modification or repair not authorized by Spectrum, or any other cause outside the control of Spectrum. Spectrum will, at its sole option, either repair or replace the defective product.

This warranty is exclusive; no other warranty, written or oral, is expressed or implied. This warranty is given by Spectrum to Buyer and to no other person or legal entity. No Spectrum dealer, distributor, agent or employee is authorized to make any modification or addition to this warranty.

**NOTWITHSTANDING ANYTHING TO THE CONTRARY, SPECTRUM WILL NOT UNDER ANY CIRCUMSTANCES BE LIABLE FOR INDIRECT OR LIQUIDATED DAMAGES, INCLUDING CONSEQUENTIAL, INCIDENTAL AND SPECIAL DAMAGES. IN NO EVENT SHALL SPECTRUM'S LIABILITY, WHETHER UNDER CONTRACT OR WARRANTY, IN TORT OR OTHERWISE, EXCEED THE PURCHASE PRICE RECEIVED BY SPECTRUM FOR THE PRODUCT AT ISSUE AND "RECALL ACTION" EXPENSES. SPECTRUM SHALL NOT BE SUBJECT TO ANY OTHER OBLIGATIONS OR LIABILITIES, WHETHER ARISING OUT OF BREACH OF CONTRACT, WARRANTY, TORT (INCLUDING NEGLIGENCE AND STRICT LIABILITY) OR OTHER THEORIES OF LAW, WITH RESPECT TO PRODUCTS SOLD OR SERVICES RENDERED BY SPECTRUM, OR ANY UNDERTAKINGS, ACTS OR OMISSIONS RELATING THERETO.**

Our Customer Service Department is ready to provide immediate attention to any questions, comments or concerns. They are available to answer your calls Monday through Friday from 7 am to 5 pm CST. In addition your product comments or concerns are welcome via e-mail at: [spectrum@spectrumfurniture.com](mailto:spectrum@spectrumfurniture.com).

**Warranty Table**

effective 1/1/2015

Item	Warranty Period
Adjustable Crank / Electric Desk Legs	• 1 Year
Flat Panel Desk Gas Cylinders	
Chairs <ul style="list-style-type: none"> <li>• Adjustable Height Chair Parts – including frames, gas cylinders, wood and plastic parts, control handles, casters</li> <li>• Adjustable Height Chair Upholstery</li> <li>• In-Stock Upholstery</li> <li>• Graded-In Fabrics and Customer Owned Material</li> </ul>	<ul style="list-style-type: none"> <li>• 7 Years</li> <li>• 2 Years</li> <li>• 2 Years</li> <li>• No Warranty</li> </ul>
Height Adjustable Columns and Lifts	• 1 Year
General Use Casters	
Electrical (including timers and LINAK actuators)	• 2 Years
Keyboard / Mouse Trays	• 1 Year
Flat Panel Monitor Arms <ul style="list-style-type: none"> <li>• Flat Panel Monitor Arm – General Parts</li> <li>• Flat Panel Monitor Arm – Gas Cylinders</li> </ul>	<ul style="list-style-type: none"> <li>• 5 Years</li> <li>• 2 Years</li> </ul>
Desks and Lecterns <ul style="list-style-type: none"> <li>• Computer Desk Chassis</li> <li>• Cart Chassis</li> <li>• Lectern Chassis</li> </ul>	• 10 Years

