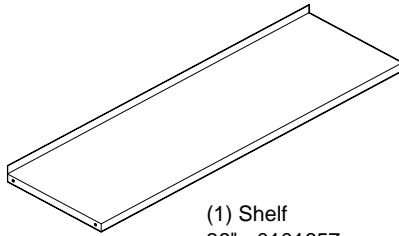


Assembly Instructions:

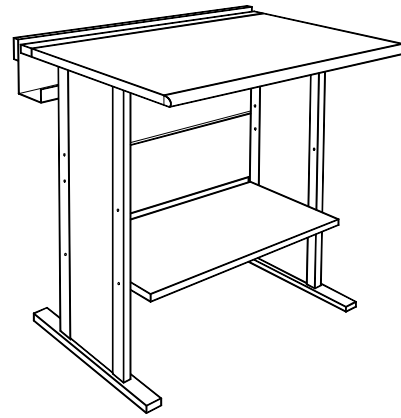


(1) Shelf
36" - 0101657
44" - 0101658



(4) 026064
1/4-20 x 5/8" PHMS

Tools Required:
Phillips head screwdriver



Shelf for Evolution Stand-Up Desk
36" - 0101657
44" - 0101658

Before you begin, please make sure all parts and proper quantities are included. Any parts damaged during shipment must be reported within 15 days of receipt. To report information regarding damages or if you have any questions, please call 1-800-235-1262.

1. Attach Shelf to Desk

- Flip the desk over onto a non-abrasive surface.
- Position the shelf into the preferred location between the desk legs as shown in **Figure 1**. (Note: Upper and lower shelf mounting holes are available.)
- Align the holes on the shelf with the leg holes and secure with (4) 1/4-20 x 5/8" PHM Screws.

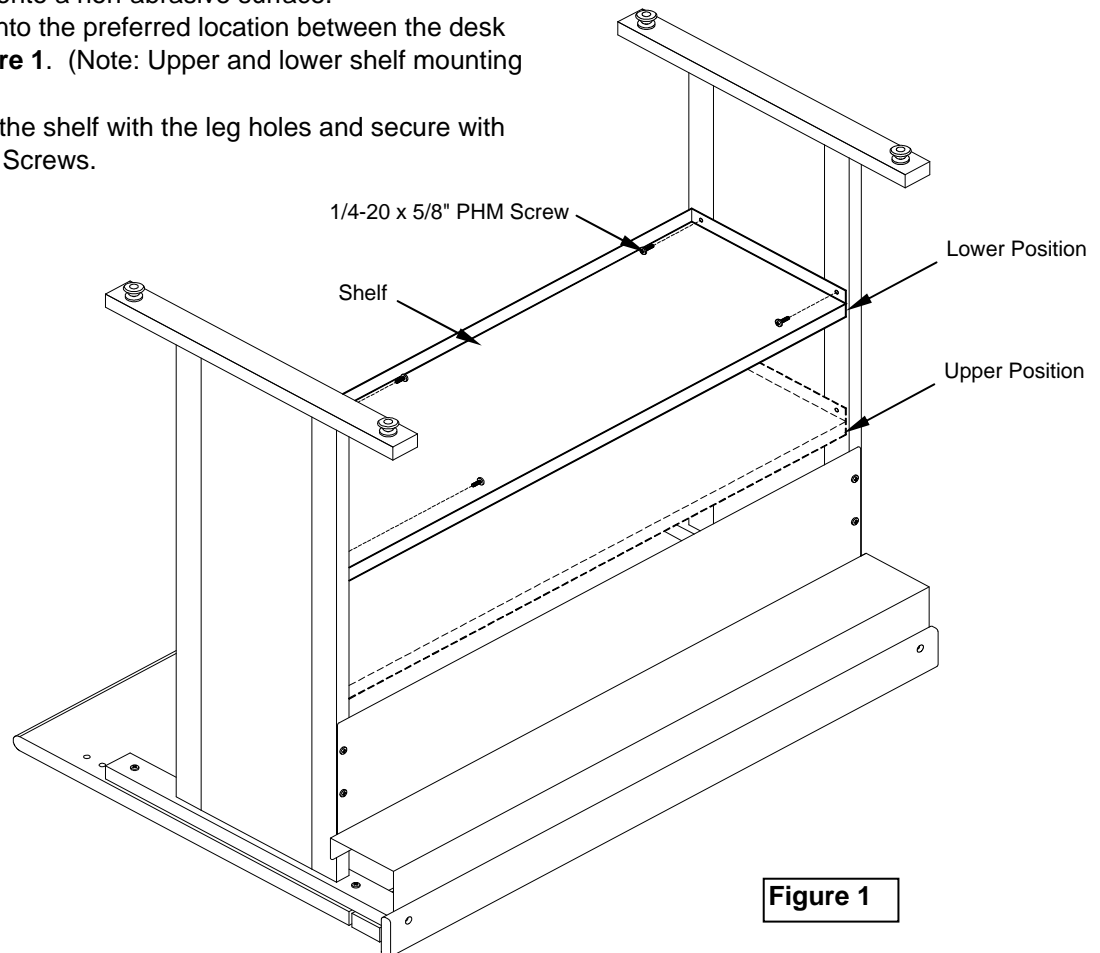


Figure 1