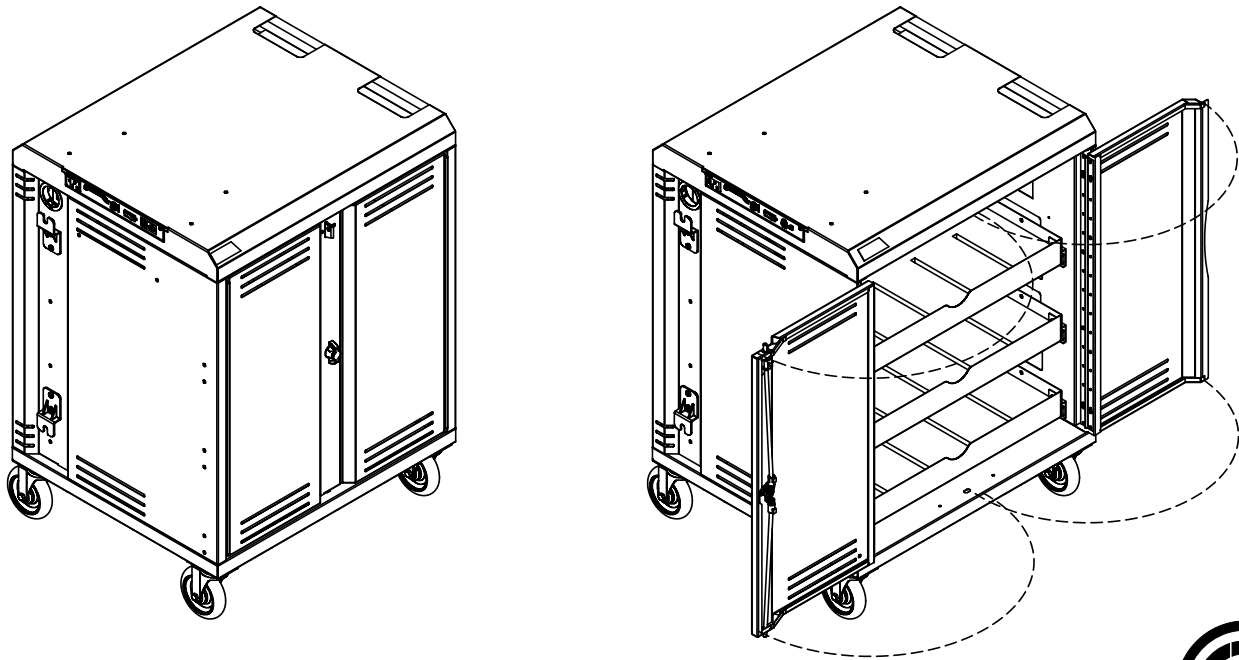


## Technical Specifications

55493JB



Use the VR Cart to store, transport, and charge up to 30 virtual reality devices. Protective foam on a pull-out tray protect and provide easy access to the devices. The cart's compact footprint and top handles provide easy mobility. Locking doors and panel increase security. This economical cart is made with heavy-gauge steel for security and powder-coated for a durable, long-lasting finish.



## Features and Benefits

- Stores, charges, and transports up to 30 sets of VR goggles and phones from most industry manufacturers
  - Drawer storage supports quick and easy goggle storage and deployment
  - Safety mechanism allows only one drawer to be pulled out at a time
  - Polyethylene foam padding protects devices
  - Stores most goggles up to 6.4"H
  - .5"W x 7"D x .75"H foam slots fit most phones
  - Internal shelf stores WiFi router and instructor tablet (internal and external AC outlets available)
  - Cord management system keeps charge cords organized at each drawer
  - Small cart footprint (29"W x 25"D) saves valuable space
  - Recessed lock and cord wrap design eliminates damage through doorways
  - Heavy gauge student-side doors feature a recessed dual-bolt keyed lock with padlock hasp\*
  - Heavy gauge instructor-side panel has a recessed padlock hasp for security\*
- 
- (3) horizontal (125V~/12A, 60Hz) 10-outlet AC power units (1 per drawer)
  - (3) 10-port USB hub version available for goggles with USB charging
  - External main power switch provides easy-access for safe power connection / disconnection
  - Replaceable, IEC (quick-release) 8' nominal 14 AWG, 3-wire power cord and external recessed cord wrap brackets provide easy power access
  - Ventilated doors and side panels keep devices and chargers cool, preventing overheating, and extending device life
- 
- Four inboard 5" balloon wheel plate casters (two locking, two non-locking) with metal construction and non-marring rubber provide easy rolling, and quiet transport (rated for 300 lb each)
  - Integrated handles in top panel provides control and maneuverability



**Power Options** (Includes one of the following):

- **PowerProdigy™** charging system senses current from three, 10-outlet power units and distributes power (up to 10A) to the least-charged devices first (where charging is needed most). **For most power adapters over 45W**
- **Power switch** provides continuous power to all three 10-outlet power units (non current-sensing). **For most power adapters up to 45W**

**Ordering Instructions**

Spectrum has designed this product to receive the useful options shown here. To ensure your options are ordered correctly, please use the request a quote feature at [www.spectrumfurniture.com](http://www.spectrumfurniture.com) or call 1-800-235-1262.

**Color Options**

Lime Green  Dark Gray 

\*Padlocks not included  
4/9/20

# Construction

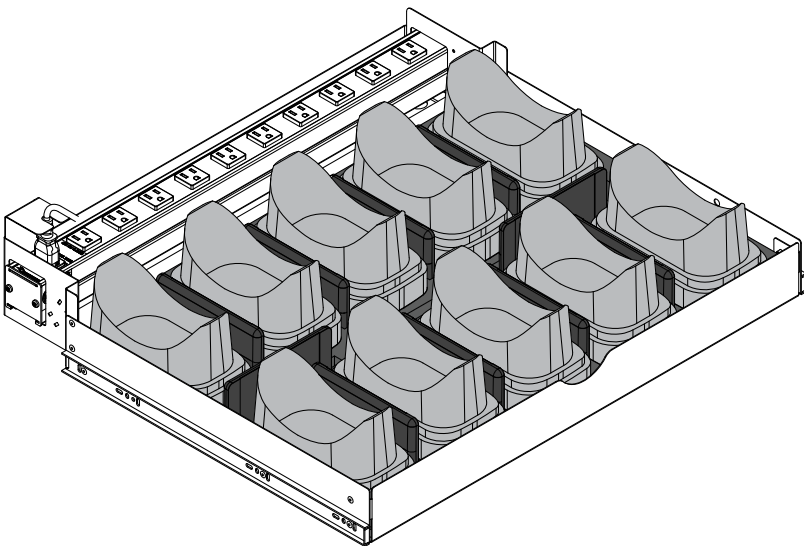
- 16-gauge top cover
- 20-gauge doors, side panels, power-side panel, and base
- All metal components are finished with a scratch-resistant powder coat epoxy
- Medium density, closed cell, crosslinked polyethylene protective foam in drawers (grey color)
- This cart is factory-assembled, packaged, and shipped on its own skid

# Specifications

Capacity	30 goggles, 30 phones	
Drawer capacity (nominal)	Drawer storage: 25"W [63.5 cm] x 19.7"D [50 cm] x 6.4"H [16.3 cm] ( <i>w/ shelf</i> )	
	Phone slots: .5"W [1.27 cm] x 7"D [17.78 cm] x .75"H [1.9 cm] ( <i>no shelf</i> )	
	Max weight per drawer: 25 lb [11.35 kg]	
Electrical ( <i>may not be included in some configurations</i> )	<ul style="list-style-type: none"> <li>• Three 10-outlet power units (one per drawer)</li> <li>• 125V~/12A, 60Hz</li> <li>• 15-amp breaker</li> </ul>	<ul style="list-style-type: none"> <li>• IEC quick-release (replaceable) 8' nominal, 14 AWG, 3-wire power cord</li> <li>• ETL recognized (certified to 60950-1)</li> </ul>
Charging options (See p.4 for specs)	<div style="border: 1px solid black; padding: 5px;"> <p><b>⚠ Note:</b> The customer should be aware of the amp draw of the devices used with this cart-especially when maxing out the storage and charging capacity. Exceeding 15 amps will trip the circuit breaker. Please consult the owners manual of your specific device for power consumption information.</p> </div>	
USB charger	<ul style="list-style-type: none"> <li>• Dimensions: 1.1"W [2.8 cm] x 2.7"D [6.9 cm] x 4.4"H [11.2 cm]</li> <li>• Ports: 10 USB</li> </ul>	<ul style="list-style-type: none"> <li>• Input: AC 100-240V, 1.4A, 50-60Hz</li> <li>• Output: DC 5V / 12A (2.4A max per port)</li> <li>• Weight: 7.5 oz [214g]</li> </ul>
5" Balloon Wheels	Weight capacity 300 lb [136.2 kg] each (2 locking, 2 non-locking)	
Certifications / Compliance	<ul style="list-style-type: none"> <li>• ETL recognized</li> </ul>	<ul style="list-style-type: none"> <li>• Meets or exceeds applicable ANSI-BIFMA test standards</li> </ul>
Unit weight (nominal)	139-145 lb [63.1-65.8 kg]	
Shipping weight (nominal)	166-172 lb [75.4-78.1 kg]	

*Specifications subject to change without notice*

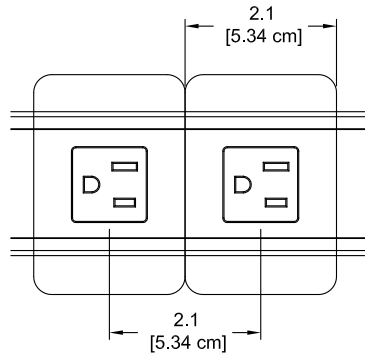
VR goggle and phone storage



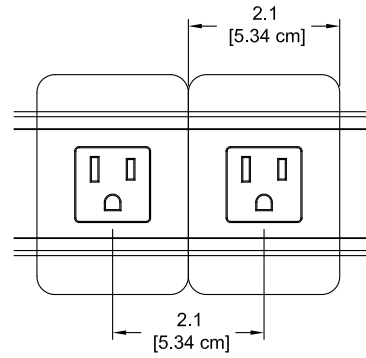
Note: The cart is designed with a safety mechanism that allows only one drawer to be pulled out at a time.  
**Max weight per drawer: 25 lb [11.35 kg]**

Nominal outlet spacing on each 10-outlet power unit

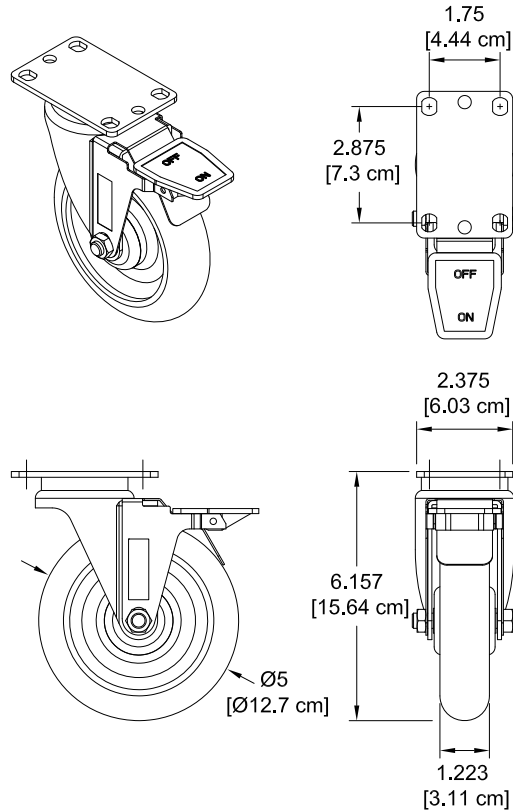
**Inline outlets**  
(Use with inline charge adapters)



**Rotated outlets**  
(Use with wall or inline charge adapters)

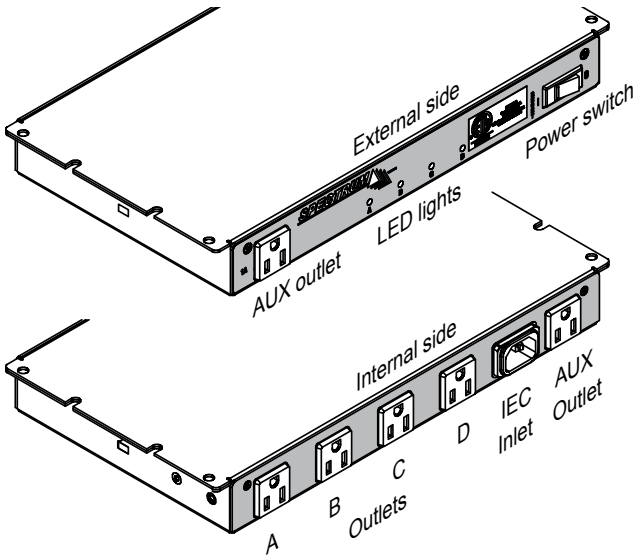
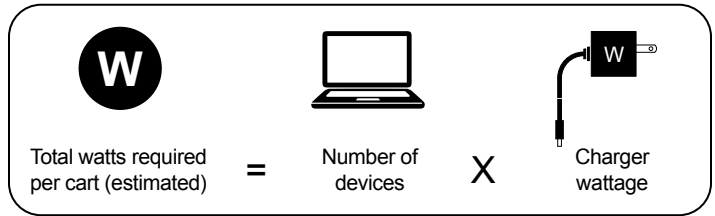


**5" Balloon Wheel**



Note: (2) locking, and (2) non-locking casters are included on each unit.

VR30™ Electrical comparison		
PowerProdigy™ Timer	Power Switch Timer	
✓	✓	External auxiliary outlet
✓	✓	Internal auxiliary outlet
✓	✓	External on/off switch
✓		Load-sensing technology
✓		4 bank
✓		<b>Max charging capacity: 5,760 watts</b> (on VR30, most power adapters over 40W)
	✓	<b>Max charging capacity: 1,440 watts</b> (on VR30, most power adapters up to 40W)
✓		LED lights indicate charging status
✓	✓	ETL certified to 60950-1

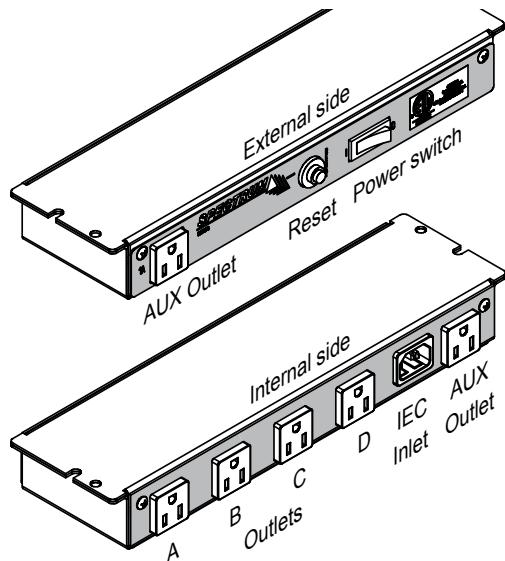


**PowerProdigy™ Timer**

**Use with higher amp-draw devices.  
Maximum charging capacity: 5,760 watts.**

- Smart charging senses current and distributes power to the power units requiring it most
- Four timed power unit-dedicated outlets (labeled A, B, C, D) controlled by logic board
- Four green LED lights indicate charging activity status of each power unit
- Two auxiliary outlets (1 external, 1 internal)
- ETL recognized (certified to 60950-1)

Input:	125V~/12A, 60Hz
Breaker:	15A, 250 VAC
Cycling interval:	15 minutes
Cycling outlets:	4 timed (A, B, C, D) up to 10A
Auxiliary outlets:	1A each (controlled by main power switch)
Power Cord:	IEC quick-release (replaceable) 8' nominal, 14 AWG, 3-wire
Power switch:	15A (externally accessible)



**Power Switch**

**The Power Switch provides continuous power to all power units. Use with lower amp-draw devices.  
Maximum charging capacity: 1,440 watts.**

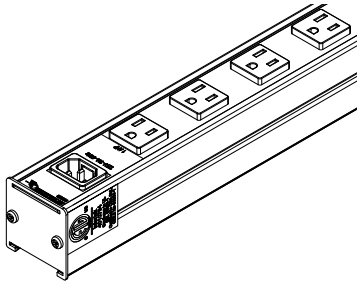
- Four continuous power-unit dedicated outlets (labeled A, B, C, D)
- Two auxiliary outlets (1 external, 1 internal)
- ETL recognized (certified to 60950-1)

Input:	125V~/12A, 60Hz
Breaker:	15A, 250 VAC
Outlets:	4 timed (A, B, C, D) up to 10A
Auxiliary outlets:	1A each (controlled by main power switch)
Power Cord:	IEC quick-release (replaceable) 8' nominal, 14 AWG, 3-wire
Power switch:	15A (externally accessible)

## Outlets

### In-line AC outlets

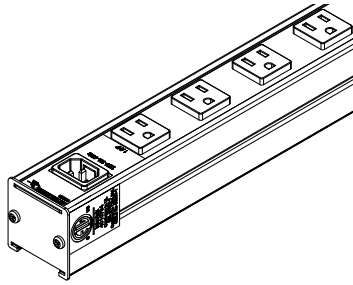
(Use with inline charge adapters)



Includes (3) 10-outlet power units

### Rotated AC outlets

(Use with wall or inline charge adapters)



Includes (3) 10-outlet power units

### USB

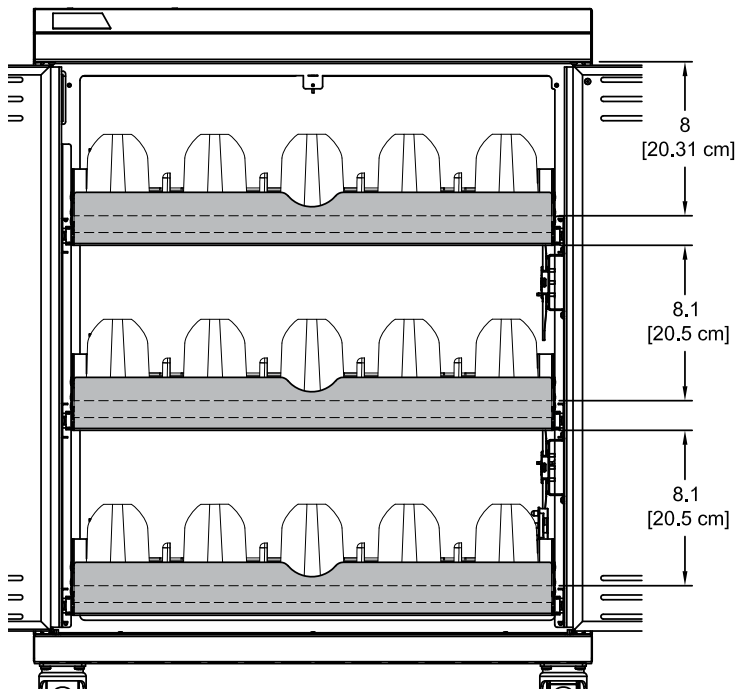
(Use with USB charge adapters)



Includes (3) 10-port chargers

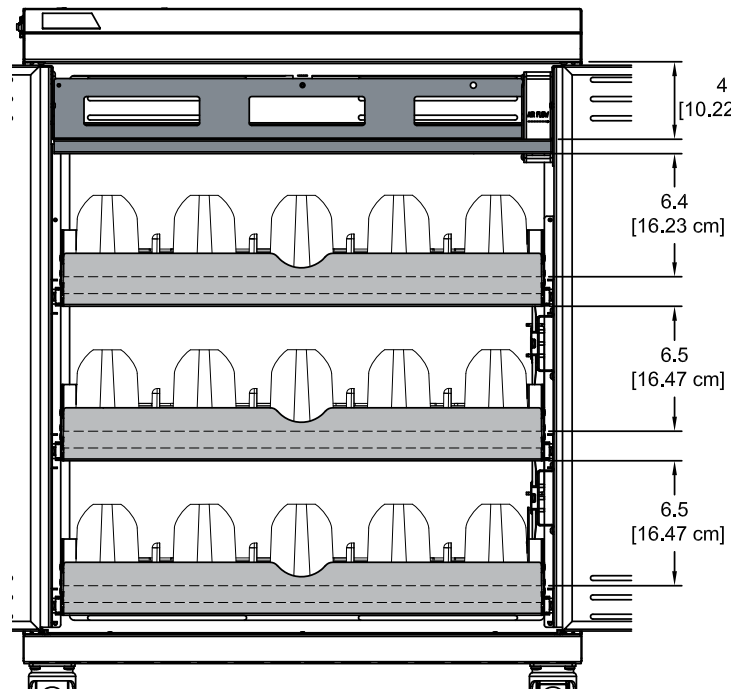
## Storage Shelf

**ORDER CODE 0 = None**



**ORDER CODE 1 = Storage Shelf**

Fixed storage shelf for accessories like WiFi router and instructor tablet.  
Mounted at top. Shelf dims: 25.9"W x 15.96"D x 4"H



## Cooling Fan

**ORDER CODE 0 = None**

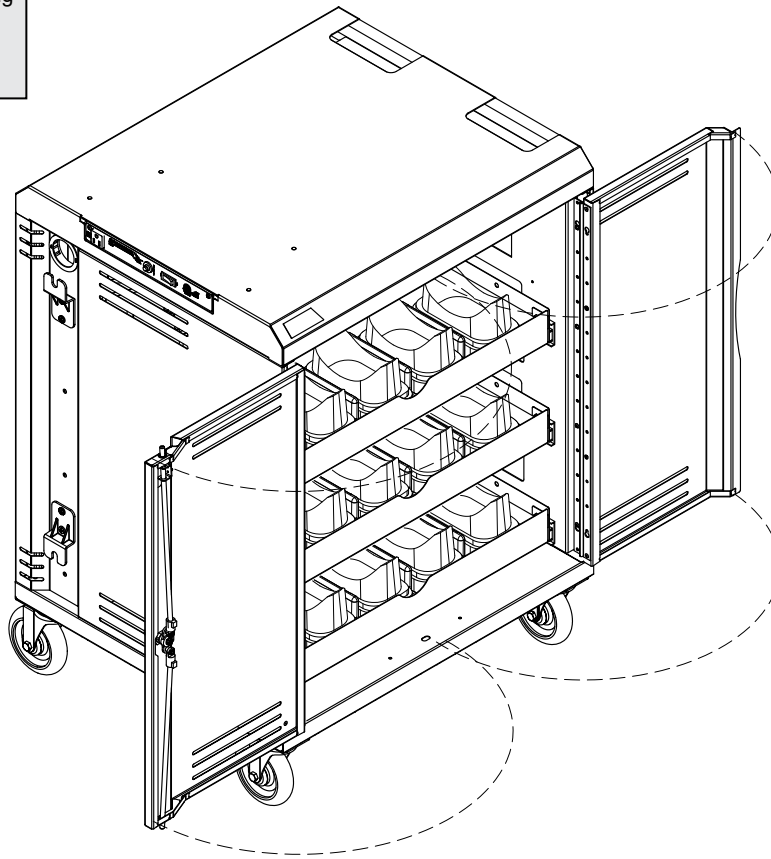


**ORDER CODE 1 = Cooling fan**

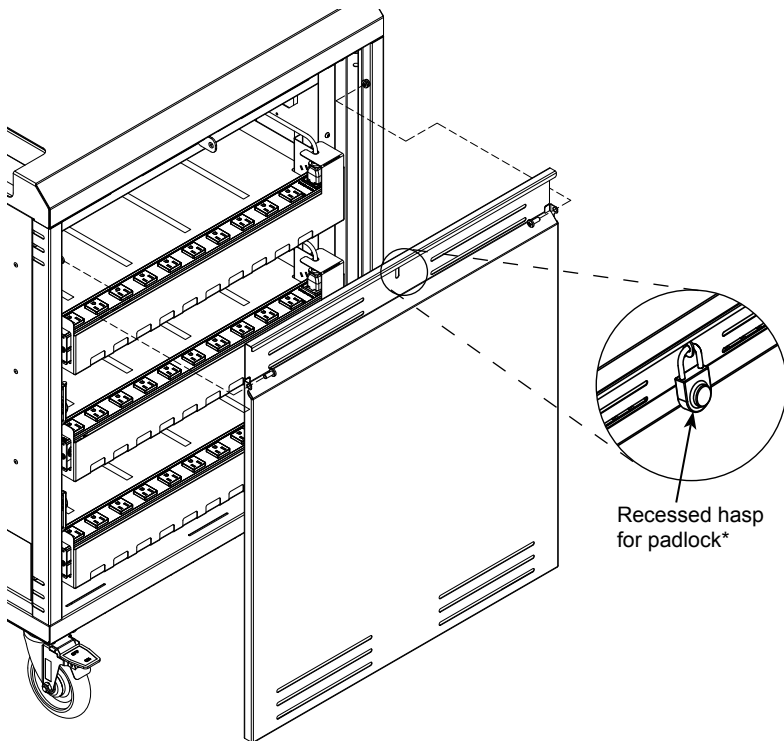


Device-side locking doors  
(shown with goggles and phones installed)

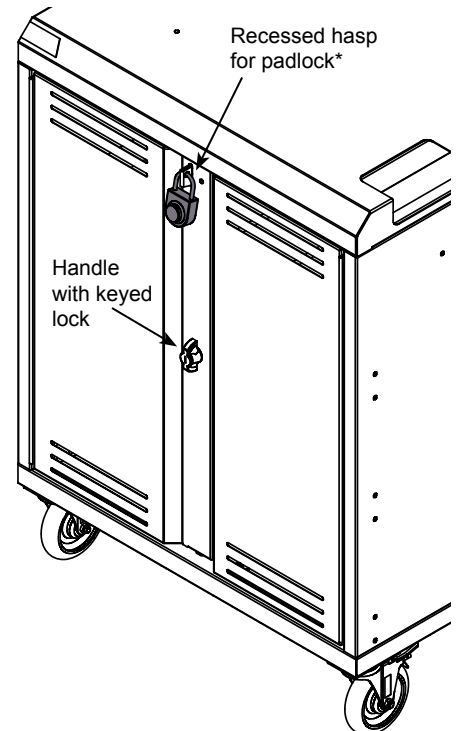
Note: Do not place items weighing more than 50 lb [22.7 kg] on the top surface. Please remove or secure items before moving cart.



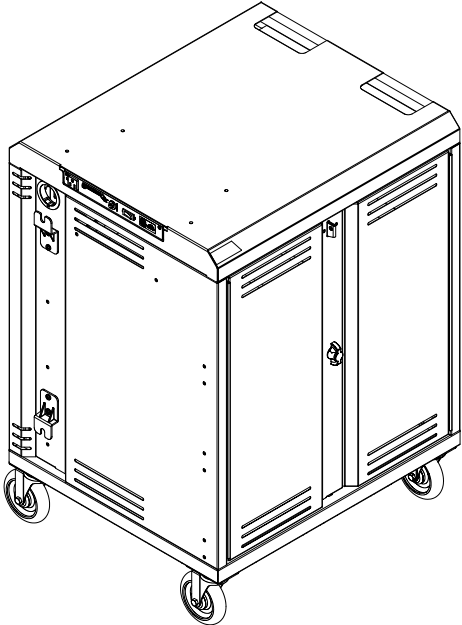
Power-side locking access panel



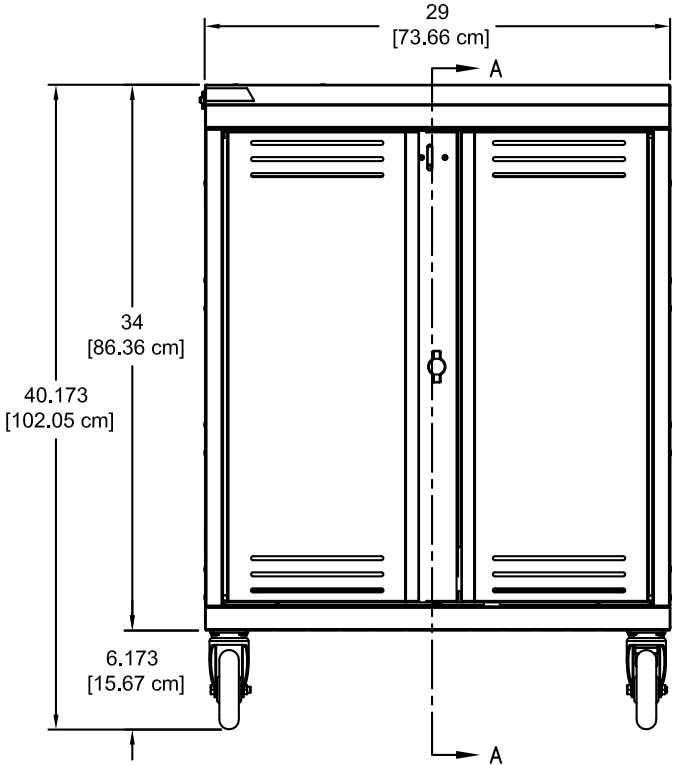
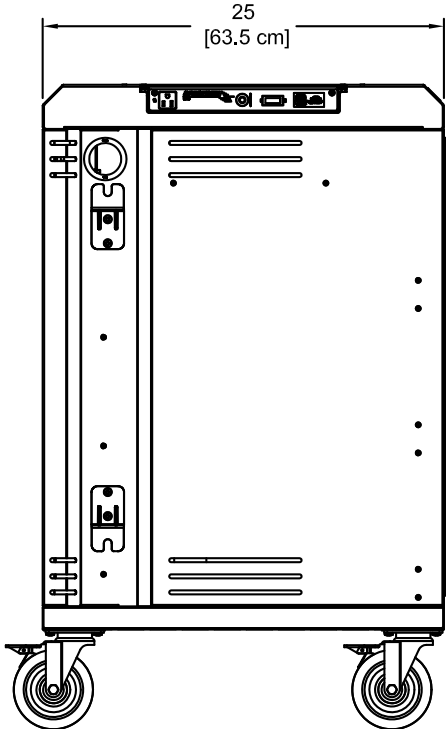
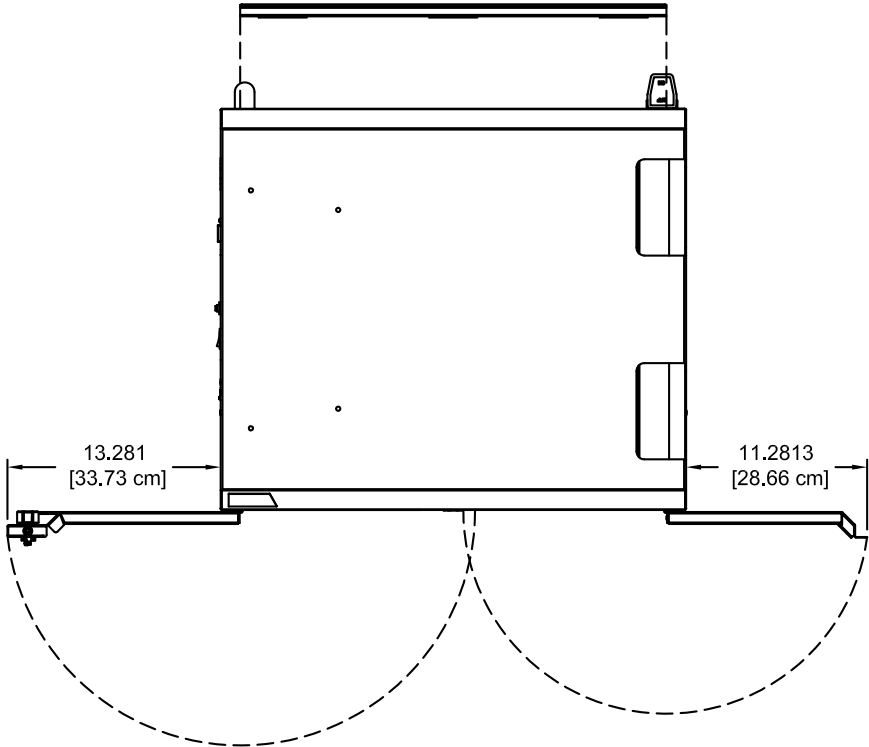
Device-side doors



VR30 Cart



Power-side panel with hasp

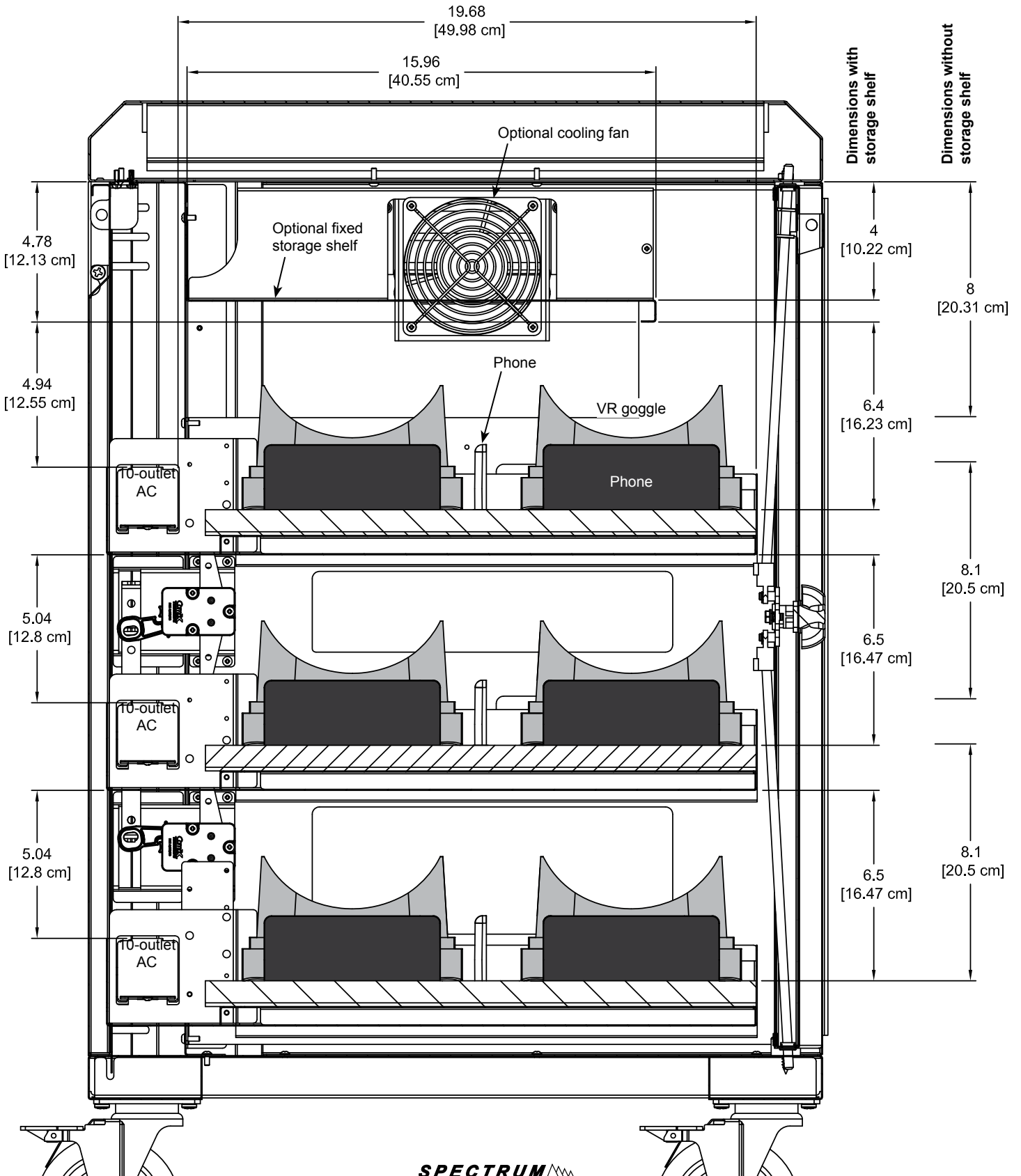


VR30 Cart  
Section view A-A

Note: The upper and mid drawer have an alternate position to accommodate taller devices.

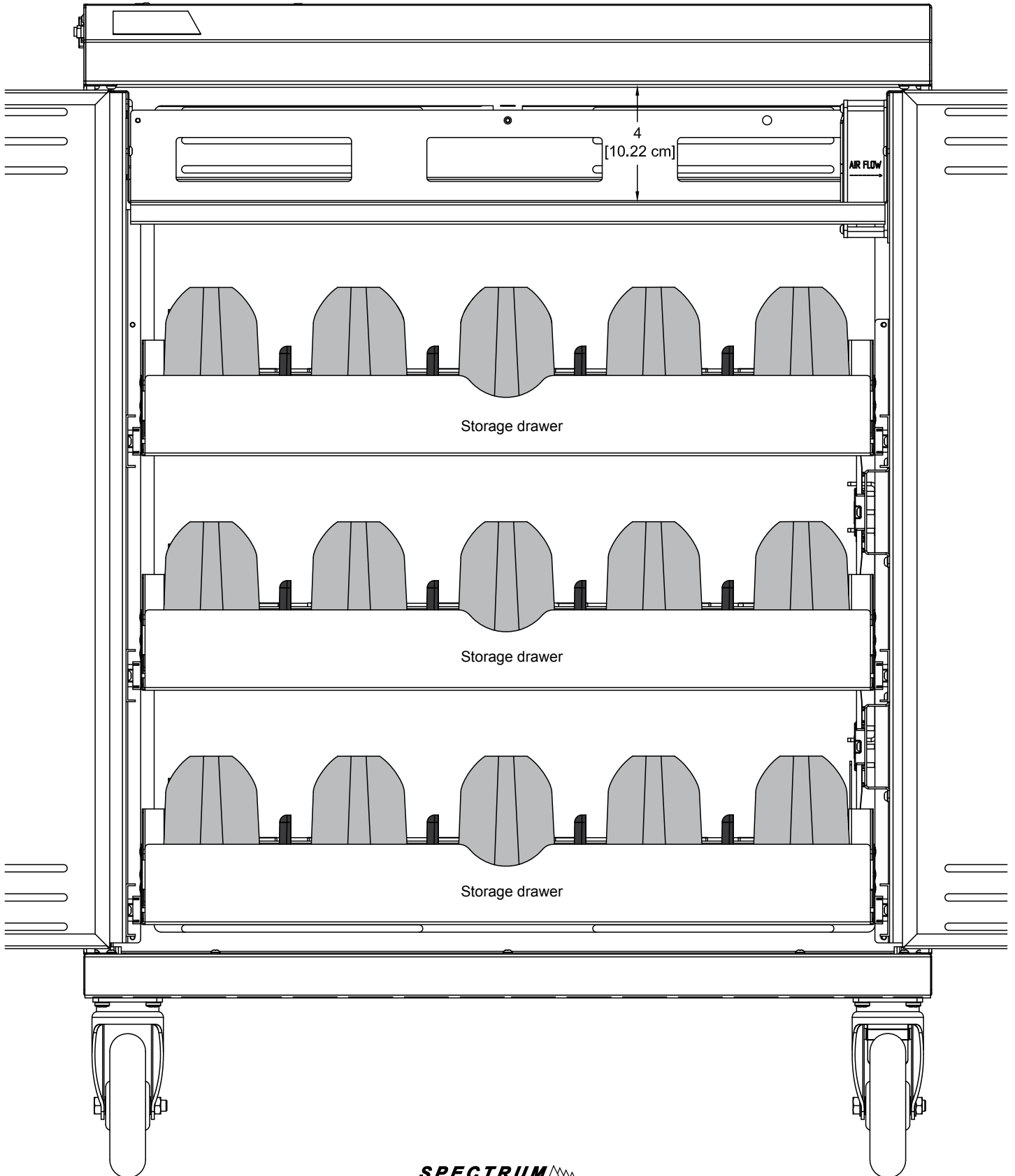
Power side

Device side

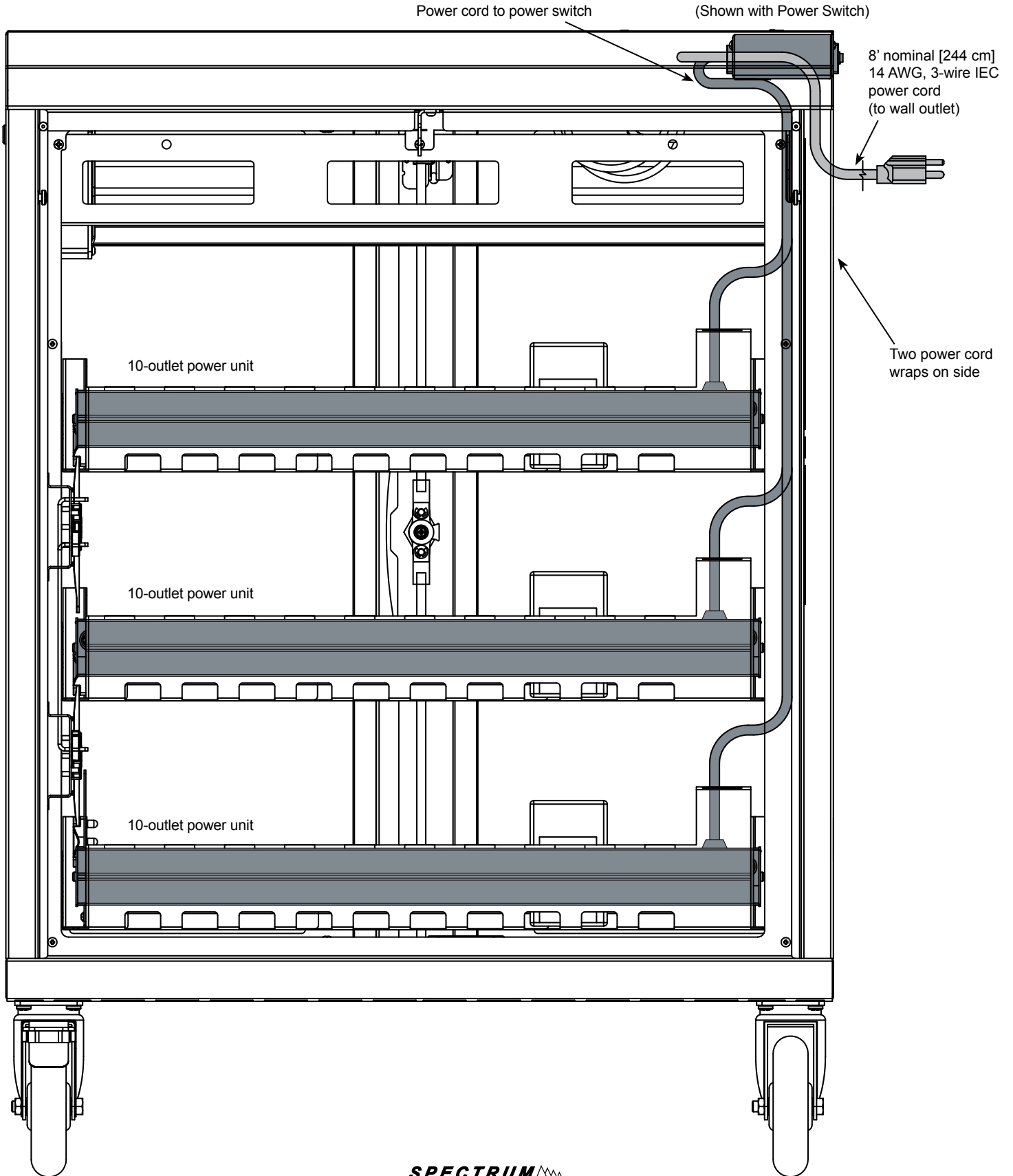




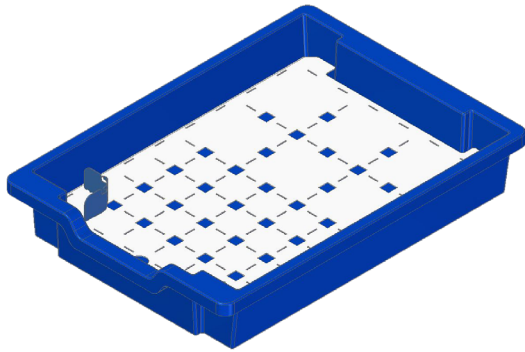
VR30 Cart  
Device side view  
(shown with doors open)



VR30 Cart  
Power side wiring diagram  
(locking panel removed)



# Accessories



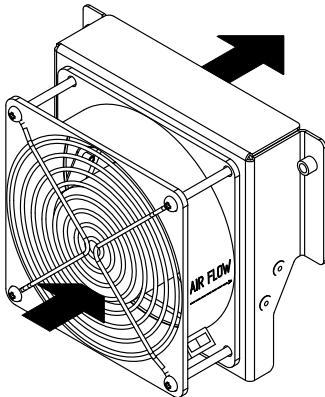
## S1 Coding Module

**55525H0 - no power**

**55525HC - w/ USB power**

- Stores STEM coding robotics
- Universal tray and divider tab system accommodates different sizes and types of robots
- (1) Bin
- (1) Universal tray
- (20) Divider tabs
- USB version adds (2) 6-port USB chargers and (1) splitter

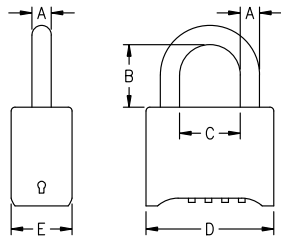
Note: (6) S1 Coding Modules can fit inside the VR30 Cart (2 per shelf).



## Cooling fan for VR Cart - 99062

- Exhausts hot air from inside cart
- Installs inside at top of cart
- Mounts to side panel vent slots with two screws
- Customer-installed

Electric Fan:	<ul style="list-style-type: none"> <li>• Voltage: 115VAC (single phase)</li> <li>• Power: 5.5W</li> <li>• Current: .08A</li> <li>• 1450 RPM</li> <li>• Dimensions: 119 mm x 119 mm</li> <li>• Ball Bearing</li> </ul>	<ul style="list-style-type: none"> <li>• Noise: 28 dB</li> <li>• Air flow: 49.4 CFM (1.40m<sup>3</sup>/min)</li> <li>• Frame material: Aluminum</li> <li>• Blade material: Polycarbonate, Fiberglass reinforced</li> </ul>
Power cord:	18ga, 48" nominal length, 6A 125V~ (2 prong plug)	
Mounting bracket	<ul style="list-style-type: none"> <li>• 16-gauge steel</li> <li>• Black powder coat</li> <li>• Mounting screws included</li> </ul>	
Unit weight:	N/A	
Shipping weight:	2 lb [.9 kg]	



A	.3125" [7.9 mm]
B	1" [25.4 mm]
C	.983" [25 mm]
D	2.07" [52.5 mm]
E	.987" [25.1 mm]

## Re-programmable 4-digit Combination Lock - 95536

- Set your own 4-digit personalized combination (up to 10,000 options)
- 5/16" hardened steel shackle for cut-resistance
- Black powdercoated die-cast body for durability
- Change key included
- Unit weight: .55 lb [.25 kg]

See [spectrumfurniture.com](http://spectrumfurniture.com) for the latest accessories and detailed warranty information.

# Warranty

## We will make it right for you!

Thanks for choosing Spectrum! Spectrum is committed to provide complete customer satisfaction. Each of our products is manufactured from the best materials available and each product is stringently monitored throughout the production process through our P.A.C.E. program (Product Assurance to meet Customer Expectations).

We expressly warrant that Spectrum products will be of good quality and workmanship and free from defect for the period set out in the warranty from the date of delivery.

**For a listing of all product specific warranty terms please visit our website at:**

<https://www.spectrumfurniture.com/en/resources/purchasing-terms-warranty>

**1-800-235-1262**

Toll-free HELPLINE

**spectrum@spectrumfurniture.com**



Spectrum Industries is Certified ISO 9001:2015