

DIAL INDICATORS

25 DIAL INDICATORS

AGD GROUP 2

RANGES UP TO 1" AND 25MM

These indicators have a shockless, hardened steel gear train and jewel bearings, except where noted. They are furnished with a lug-on-center back. Antimagnetic mechanism is optional for all models. Special non-shock mechanism is available for all models except 25-109, 25-209 and 25-116. For more information on these and other attachments, accessories and contact points, refer to the end of the AGD Dial Indicator listings. For dial styles, see previous pages.

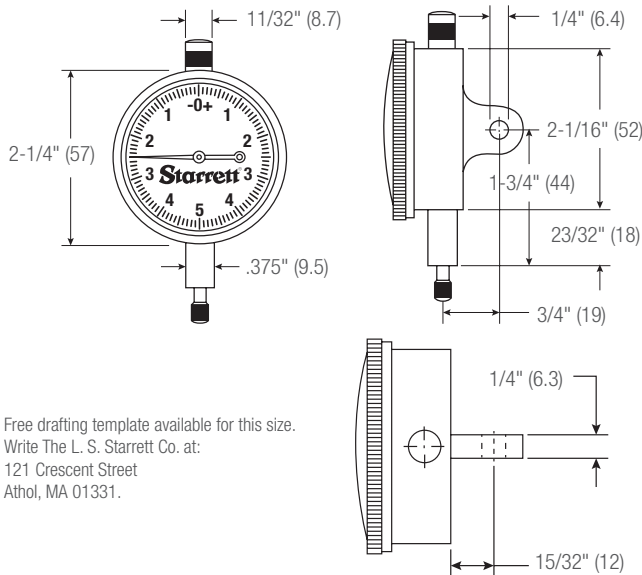
If lift lever is desired, indicator must be ordered with case stem cap.



25-111J



25-161J



Free drafting template available for this size. Write The L. S. Starrett Co. at: 121 Crescent Street Athol, MA 01331.

25-441J with top lift



656-129J case stem cap design required for use with lift lever See page 171



25 Dial Indicators with Jewel Bearings

Cat. No.	EDP	Graduation	Range One Rev.	Total	Dial Reading	Stem Dia.
25-151J	67644		0.1mm	0.25mm	0-50-0	.375" (9.5mm)
25-151J-8	68646	0.001mm	0.1mm	0.25mm	0-100	.375" (9.5mm)
25-251J	68118		0.1mm	0.25mm	0-10-0	.375" (9.5mm)
25-251J-8	68647	0.001mm	0.1mm	0.25mm	0-10-0	.375" (9.5mm)
25-161J	53250		0.2mm	0.5mm	0-10-0	.375" (9.5mm)
25-161J-8	64651	0.002mm	0.2mm	0.5mm	0-10-0	.375" (9.5mm)
25-261J	53281		0.2mm	0.5mm	0-20	.375" (9.5mm)
25-261J-8	64652	0.002mm	0.2mm	0.5mm	0-20	.375" (9.5mm)
25-171J	68643		0.5mm	1.25mm	0-25-0	.375"
25-181J	53252		1.0mm	2.5mm	0-50-0	.375" (9.5mm)
25-181J-8	64653	0.01mm	1.0mm	2.5mm	0-50-0	.375" (9.5mm)
25-281J	53283		1.0mm	2.5mm	0-100	.375" (9.5mm)
25-281J-8	64654	0.01mm	1.0mm	2.5mm	0-100	.375" (9.5mm)
25-381J	53289		1.0mm	10mm	0-50-0	.375" (9.5mm)
25-381J-8	64655	0.01mm	1.0mm	10mm	0-50-0	.375" (9.5mm)
25-481J	53297		1.0mm	10mm	0-100	.375" (9.5mm)
25-481J-8	64656	0.01mm	1.0mm	10mm	0-100	.375" (9.5mm)
25-781J	53305		1.0mm	25mm	0-50-0	.375" (9.5mm)
25-781J-8	64657	0.01mm	1.0mm	25mm	0-50-0	.375" (9.5mm)
25-881J	53307		1.0mm	25mm	0-100	.375" (9.5mm)
25-881J-8	64658	0.01mm	1.0mm	25mm	0-100	.375" (9.5mm)

25 Dial Indicators with Jewel Bearings

Cat. No.	EDP	Graduation	Range One Rev.	Total	Dial Reading
25-109J	53222	.00005"	.006"	.015"	0-3-0
25-209J	53254	.00005"	.006"	.015"	0-6
25-116J	53225	.0001"	.006"	.015"	0-3-0
25-118J	53226	.0001"	.008"	.020"	0-4-0
25-218J	53257	.0001"	.008"	.020"	0-8
25-111J	53223	.0001"	.010"	.025"	0-5-0
25-211J	53255	.0001"	.010"	.025"	0-10
25-511J	53299	.0001"	.010"	.200"	0-5-0
25-611J	53301	.0001"	.010"	.200"	0-10
25-124J	53228	.00025"	.010"	.025"	0-5-0
25-224J	53259	.00025"	.010"	.025"	0-10
25-128J	53230	.00025"	.020"	.050"	0-10-0
25-228J	53261	.00025"	.020"	.050"	0-20
25-134J	53234	.0005"	.020"	.050"	0-10-0
25-234J	53265	.0005"	.020"	.050"	0-20
25-136J	53236	.0005"	0.03	.075"	0-15-0
25-236J	53267	.0005"	0.03	.075"	0-30
25-138J	53238	.0005"	.040"	.100"	0-20-0
25-238J	53269	.0005"	.040"	.100"	0-40
25-131J	53232	.0005"	.050"	.125"	0-25-0
25-231J	53263	.0005"	.050"	.125"	
25-431J	53292	.0005"	.050"	.500"	0-50
25-631J	53304	.0005"	.050"	1.000"	
25-142J	53242	.001"	.020"	.050"	0-10-0
25-242J	53273	.001"	.020"	.050"	0-20
25-143J	53244	.001"	.030"	.075"	0-15-0
25-243J	53275	.001"	.030"	.075"	0-30
25-144J	53246	.001"	.040"	.100"	0-20-0
25-244J	53277	.001"	.040"	.100"	0-40
25-145J	53248	.001"	.050"	.125"	0-25-0
25-245J	53279	.001"	.050"	.125"	0-50
25-141J	53240	.001"	.100"	.250"	0-50-0
25-241J	53271	.001"	.100"	.250"	0-100
25-341/5J	53285	.001"	.100"	.500"	0-50-0
25-441/5J	53293	.001"	.100"	.500"	0-100
25-441/5J W/SLC*	66864	.001"	.100"	.500"	0-100
25-341J	53287	.001"	.100"	1.000"	0-50-0
25-441J	53295	.001"	.100"	1.000"	0-50-0
25-441J W/SLC*	66863	.001"	.100"	1.000"	0-100

25 Dial Indicators with Jewel Bearings

Cat. No.	EDP	Graduation	Range One Rev.	Total	Dial Reading
25-341/5P	53286	.001"	.100"	.500"	0-50-0
25-441/5P	53294	.001"	.100"	.500"	0-100
25-341P	53288	.001"	.100"	1.000"	0-50-0
25-441P	53296	.001"	.100"	1.000"	0-100

* Includes redemption card for Standard Letter of Certification.

