

## ELECTRONIC INDICATORS

### 2700 WISDOM ELECTRONIC INDICATORS

The 2700 Wisdom Electronic Indicator is one of the most versatile of the electronic indicators. All indicators feature a glass scale design with an unsurpassed accuracy of  $\pm$  two resolutions when measuring from a known standard. All have rugged, sealed enclosures as well.

#### FEATURES

- 8 resolutions and 4 measuring ranges available
- Plus or minus travel direction
- Zero the tool at any position of the spindle
- Rotating bezel
- Auto Off after 10 minutes of non-use
- Three power sources - operate by battery, A/C adapter or through data port
- Output jack allows data transmission



#### Inch/Metric - .375" Stem - #4-48 UNF Thread

Cat. No.	EDP	Range		Resolution		Accuracy	
		in	mm	in	mm	in	mm
F2720IQ	49508	0.6	15	.001/.0005/.0001/.00005	0.02/0.01/0.002/0.001	$\pm$ .0001	$\pm$ 0.002
F2720AD	49500	0.6	15	.001/.0005/.0001/.00005	0.02/0.01/0.002/0.001	$\pm$ .0001	$\pm$ 0.002
F2720-1AD	00043	0.6	15	.001/.0005/.0001	0.02/0.01/0.002	$\pm$ .0001	$\pm$ 0.002
F2730IQ	49509	1	25	.001/.0005/.0001/.00005	0.02/0.01/0.002/0.001	$\pm$ .0001	$\pm$ 0.002
F2730-1IQ	49516	1	25	.001/.0005/.0001	0.02/0.01/0.002	$\pm$ .0002	$\pm$ 0.004
F2730AD	49501	1	25	.001/.0005/.0001/.00005	0.02/0.01/0.002/0.001	$\pm$ .0001	$\pm$ 0.002
F2730-1AD	00045	1	25	.001/.0005/.0001	0.02/0.01/0.002	$\pm$ .0002	$\pm$ 0.004
F2740IQ	49510	2	50	.001/.0005/.0001	0.02/0.01/0.002	$\pm$ .0002	$\pm$ 0.004
F2740AD	49502	2	50	.001/.0005/.0001	0.02/0.01/0.002	$\pm$ .0002	$\pm$ 0.004
F2750IQ	49511	4	100	.001/.0005/.0001	0.02/0.01/0.002	$\pm$ .0002	$\pm$ 0.004
F2750AD	49503	4	100	.001/.0005/.0001	0.02/0.01/0.002	$\pm$ .0002	$\pm$ 0.004

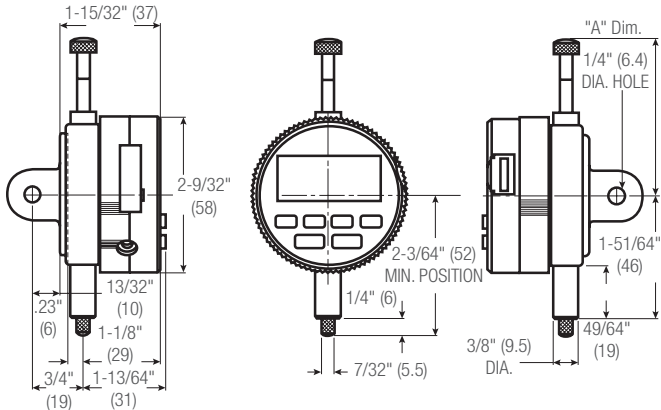
#### Inch/Metric - 8mm Stem - M2.5 x 0.45 Thread

Cat. No.	EDP	Range		Resolution		Accuracy	
		in	mm	in	mm	in	mm
F2720IQM	49512	0.6	15	.001/.0005/.0001/.00005	0.02/0.01/0.002/0.001	$\pm$ .0001	$\pm$ 0.002
F2720ADM	49504	0.6	15	.001/.0005/.0001/.00005	0.02/0.01/0.002/0.001	$\pm$ .0001	$\pm$ 0.002
F2720-1ADM	09993	0.6	15	.001/.0005/.0001	0.02/0.01/0.002	$\pm$ .0002	$\pm$ 0.004
F2730IQM	49513	1	25	.001/.0005/.0001/.00005	0.02/0.01/0.002/0.001	$\pm$ .0001	$\pm$ 0.002
F2730-1IQM	09992	1	25	.001/.0005/.0001	0.02/0.01/0.002	$\pm$ .0002	$\pm$ 0.004
F2730ADM	49505	1	25	.001/.0005/.0001/.00005	0.02/0.01/0.002/0.001	$\pm$ .0001	$\pm$ 0.002
F2730-1ADM	09994	1	25	.001/.0005/.0001	0.02/0.01/0.002	$\pm$ .0002	$\pm$ 0.004
F2740IQM	49514	2	50	.001/.0005/.0001	0.02/0.01/0.002	$\pm$ .0002	$\pm$ 0.004
F2740ADM	49506	2	50	.001/.0005/.0001	0.02/0.01/0.002	$\pm$ .0002	$\pm$ 0.004
F2750IQM	49515	4	100	.001/.0005/.0001	0.02/0.01/0.002	$\pm$ .0002	$\pm$ 0.004
F2750ADM	49507	4	100	.001/.0005/.0001	0.02/0.01/0.002	$\pm$ .0002	$\pm$ 0.004



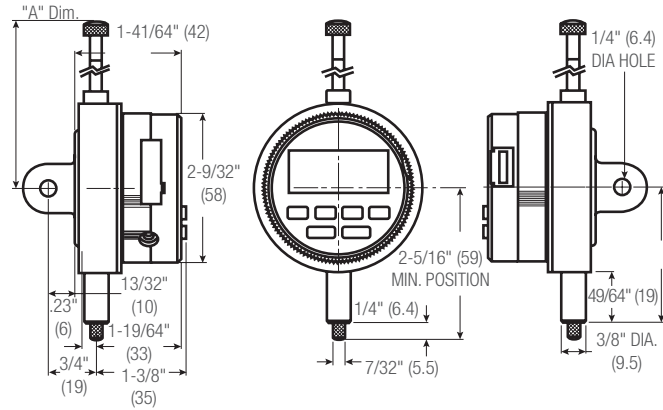
# ELECTRONIC INDICATORS

## .250"/6MM AND .600"/15MM MODELS



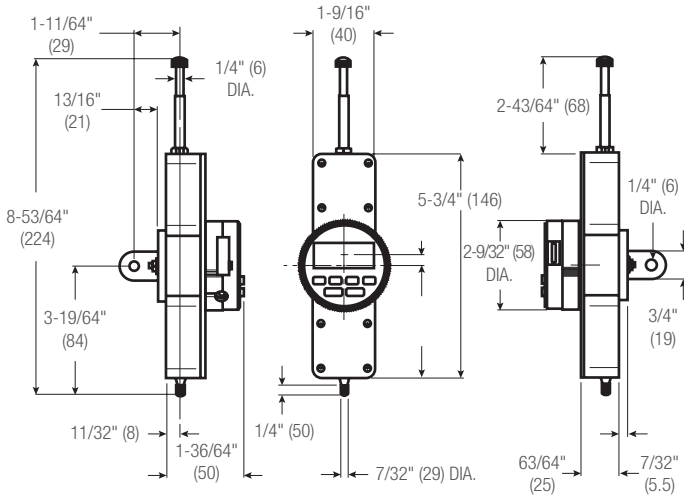
Travel		A Dimension	
in	mm	in	mm
.600	15	2-13/32	61
.250	6.4	2-1/16	52

## 1"/25MM MODELS

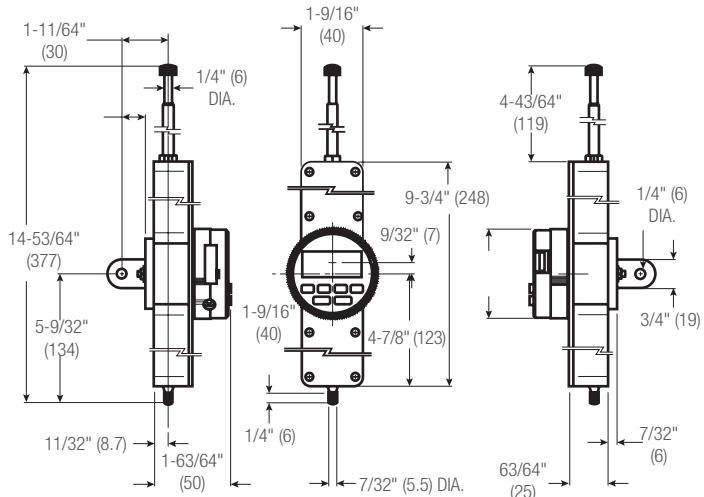


Travel		A Dimension	
in	mm	in	mm
1	25.4	2-7/8	73

## 2"/50 MM MODELS



## 4"/100MM MODELS



### Accessories, Power Source, Cables

Part No.	EDP	Description
PT26413	65880	A/C Adapter, 110-Volt
PT26404	65884	Replacement Zinc Air Batteries, 4-Pack
PT61120	65446	Replacement Battery, 1-Pack (req. 2)
PT61489	65904	Cable to Module PT61490, to Connect to 772 Data Collectors and 761 Multiplexers
PT26415	65882	Cable for Wisdom Indicator to Wisdom Remote Display
PT26441	65893	USB Cable to RS232 (PC/Compatible)
2700SCM	69896	7612 Data Multiplexer Gage Interface

### Backs/Lever\*

Part No.	EDP	Description
PT26406	65886	Flat Back
PT26407	65887	Offset Lug Back
PT26411	65891	Adjustable Lug Back
PT26408	65888	Adjustable Back
PT26409	65889	Post-Type Back
PT26410	65890	Screw Bracket Back
PT26848	66293	Adjustable Mounting Bracket Back
PT26405	65885	Lifting Lever

\* Other backs, styles and accessories also available by request. To order contact points individually, see previous pages.

### Extension Cables

Part No.	EDP	Description
PT05679	68752	6' Extension Cable
2700SCKB	69891	USB cable to PC (In focused window)

### Backs/Lever\*

Part No.	EDP	Description
PT26406	65886	Flat Back
PT26407	65887	Offset Lug Back
PT26411	65891	Adjustable Lug Back
PT26408	65888	Adjustable Back
PT26409	65889	Post-Type Back
PT26410	65890	Screw Bracket Back
PT26848	66293	Adjustable Mounting Bracket Back
PT26405	65885	Lifting Lever

\*Other backs, styles and accessories also available by request. To order contact points individually, see previous pages.  
NOTE: Probe and display resolutions must be the same for accurate readings.

