

DIAL INDICATORS

656 DIAL INDICATORS WITH EXTRA LONG RANGE

AGD GROUP 4

6-12" RANGES

These indicators have a shockless, hardened steel gear train and are furnished with jewel bearings and lug-on-center backs unless otherwise ordered.

- Use anywhere a long reach is needed – positioning of stops, measuring travel of slides and cam throws, and use in deep slots or holes
- Conforms to AGD specifications except for range, stems and contact point
- Top stem graduated in 1" increments, called out by red colored pointer
- Furnished with continuous reading double dial with direct reading count hand

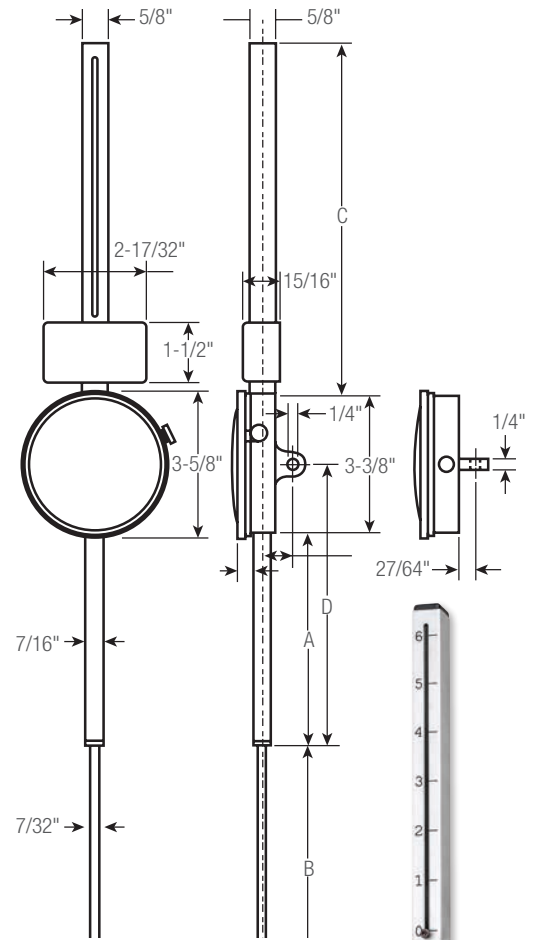
656 Dial Indicators with Extra-Long Range

Cat. No.	EDP	Graduation	AGD Group	Dial Diameter	Range	Dial Reading	Revs. of Hand
656-6041J	53803				6.000"		60
656-7041J	53804				7.000"		70
656-8041J	53805				8.000"		80
656-9041J	53806	.001"	4	3-5/8"	9.000"	0-100	90
656-10041J	53807				10.000"		100
656-11041J	53808				11.000"		110
656-12041J	53809				12.000"		120

Not available with special non-shock mechanism. For contact points, attachments and accessories, refer to the end of the AGD Dial Indicator Section

Dimensions

Cat. No.	A	B	C	D
656-6041J	5-1/4"	6-1/16"	8-3/4"	6-15/16"
656-7041J	6-1/4"	7-1/16"	9-3/4"	7-15/16"
656-8041J	7-1/4"	8-1/16"	10-3/4"	8-15/16"
656-9041J	8-1/4"	9-1/16"	11-3/4"	9-15/16"
656-10041J	9-1/4"	10-1/16"	12-3/4"	10-15/16"
656-11041J	10-1/4"	11-1/16"	13-3/4"	11-15/16"
656-12041J	11-1/4"	12-1/16"	14-3/4"	12-15/16"



656-6041J

