

## DIAL INDICATORS

### 25, 655, 656 DIAL INDICATORS WITH LONG RANGE

#### 2-5" RANGES

These indicators have a shockless, hardened steel gear train and are furnished with jewel bearings and lug-on-center backs unless otherwise ordered.

- Conforms to AGD specifications except for range
- Stem cap supplied as standard – top lift available when specified
- Furnished with continuous reading double dial with direct reading count hands

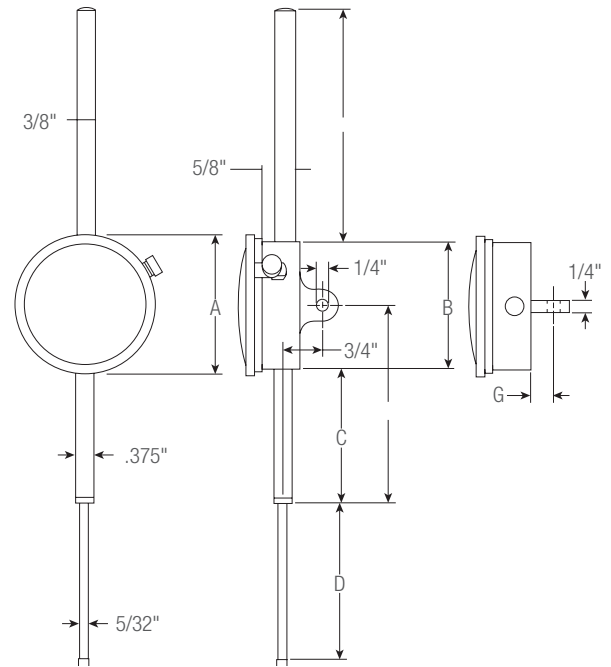
#### 25, 655, 656 Dial Indicators with Long Range

Cat. No.	EDP	Graduation	Range	Dial Reading	Revs. of Hand	AGD Group	Bezel Diameter
25-2041J	53309					2	2-1/4"
655-2041J	53619	.001"	2.000"	0-100	20	3	2-3/4"
656-2041J	53799					4	3-5/8"
25-3041J	53310					2	2-1/4"
655-3041J	53620	.001"	3.000"	0-100	30	3	2-3/4"
656-3041J	53800					4	3-5/8"
25-4041J	53311					2	2-1/4"
655-4041J	53621	.001"	4.000"	0-100	40	3	2-3/4"
656-4041J	53801					4	3-5/8"
25-5041J	53312					2	2-1/4"
655-5041J	53622	.001"	5.000"	0-100	50	3	2-3/4"
656-5041J	53802					4	3-5/8"

Not available with special non-shock mechanism. For other attachments, accessories and contact points, refer to the end of the AGD Dial Indicator listings.

#### Approximate Dimensions

Cat. No.	A	B	C	D	E	F	G
25-2041J	2-1/4"	2-1/16"	1-13/16"	2-1/16"	3-3/32"	2-7/8"	15/32"
655-2041J	2-3/4"	2-1/2"	1-5/8"	2-1/16"	3-3/32"	2-7/8"	7/16"
656-2041J	3-5/8"	3-3/8"	1-1/4"	2-1/16"	3-3/32"	3"	27/64"
25-3041J	2-1/4"	2-1/16"	2-13/16"	3-1/16"	4-9/16"	3-7/8"	15/32"
655-3041J	2-3/4"	2-1/2"	2-5/8"	3-1/16"	4-9/16"	3-7/8"	7/16"
656-3041J	3-5/8"	3-3/8"	2-1/4"	3-1/16"	4-9/16"	4"	27/64"
25-4041J	2-1/4"	2-1/16"	3-13/16"	4-1/16"	6"	4-7/8"	15/32"
655-4041J	2-3/4"	2-1/2"	3-5/8"	4-1/16"	6"	4-7/8"	7/16"
656-4041J	3-5/8"	3-3/8"	3-1/4"	4-1/16"	6"	5"	27/64"
25-5041J	2-1/4"	2-1/16"	4-13/16"	5-1/16"	7-1/4"	5-7/8"	15/32"
655-5041J	2-3/4"	2-1/2"	4-5/8"	5-1/16"	7-1/4"	5-7/8"	7/16"
656-5041J	3-5/8"	3-3/8"	4-1/4"	5-1/16"	7-1/4"	6"	27/64"



25-2041J



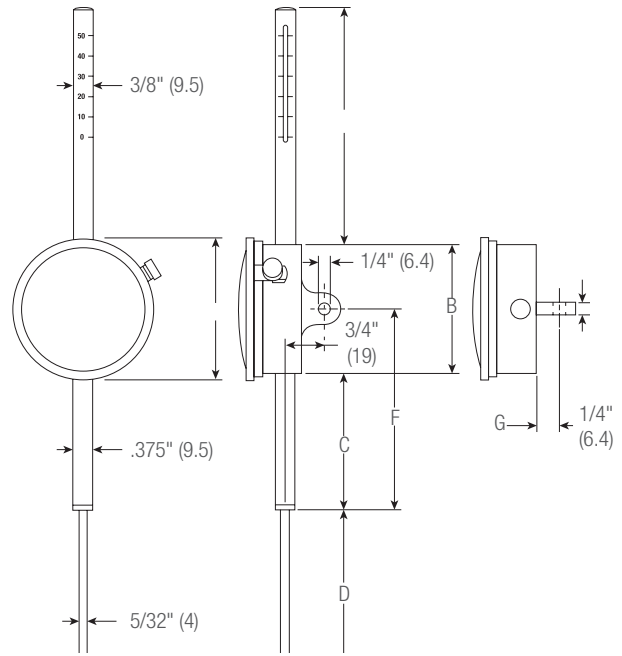
# DIAL INDICATORS

## 25, 655 METRIC DIAL INDICATORS WITH LONG RANGE

### 50-125MM RANGES

These indicators have a shockless, hardened steel gear train and are furnished with jewel bearings and lug-on-center backs unless otherwise ordered.

- Conforms to AGD specifications except for range
- Furnished with continuous reading double dial
- Direct readout accomplished by (1) graduated top tube which indicates each 10mm of spindle travel, (2) revolution counter which indicates each 1mm full turn of the indicator hand, and (3) indicator hand which shows each 0.01mm of spindle movement



25, 655 Metric Dial Indicators with Long Range							
Cat. No.	EDP	Graduation	AGD Group	Stem Diameter	Range	Dial Reading	Revs. of Hand
25-2081J	56225	0.01mm	2	.375" (9.5mm)	50mm	0-100	50
655-2081J	56230	0.01mm	3	.375" (9.5mm)	75mm	0-100	75
25-3081J	56226	0.01mm	2	.375" (9.5mm)	100mm	0-100	100
655-3081J	56231	0.01mm	3	.375" (9.5mm)	125mm	0-100	125
25-4081J	56227	0.01mm	2	.375" (9.5mm)			
655-4081J	56232	0.01mm	3	.375" (9.5mm)			
25-5081J	56228	0.01mm	2	.375" (9.5mm)			
655-5081J	56233	0.01mm	3	.375" (9.5mm)			

Not available with special non-shock mechanism. For contact points, attachments and accessories, refer to the end of the AGD Dial Indicator listings.

Approximate Dimensions Inch and Millimeter							
Cat. No.	A	B	C	D	E	F	G
25-2081J	2-1/4" (57mm)	2-1/16" (52mm)	1-13/16" (46mm)	2-1/16" (52mm)	3-3/32" (79mm)	2-7/8" (73mm)	15/32" (12mm)
655-2081J	2-3/4" (70mm)	2-1/2" (63.5mm)	1-5/8" (41mm)	2-1/16" (52mm)	3-3/32" (79mm)	2-7/8" (73mm)	7/16" (11mm)
25-3081J	2-1/4" (57mm)	2-1/16" (52mm)	2-13/16" (71mm)	3-1/16" (78mm)	4-9/16" (116mm)	3-7/8" (98mm)	15/32" (12mm)
655-3081J	2-3/4" (70mm)	2-1/2" (63.5mm)	2-5/8" (67mm)	3-1/16" (78mm)	4-9/16" (116mm)	3-7/8" (98mm)	7/16" (11mm)
25-4081J	2-1/4" (57mm)	2-1/16" (52mm)	3-13/16" (81mm)	4-1/16" (103mm)	5-61/64" (151mm)	4-7/8" (124mm)	15/32" (12mm)
655-4081J	2-3/4" (70mm)	2-1/2" (63.5mm)	3-5/8" (92mm)	4-1/16" (103mm)	5-61/64" (151mm)	4-7/8" (124mm)	7/16" (11mm)
25-5081J	2-1/4" (57mm)	2-1/16" (52mm)	4-13/16" (122mm)	5-1/16" (129mm)	7-1/4" (184mm)	5-7/8" (149mm)	15/32" (12mm)
655-5081J	2-3/4" (70mm)	2-1/2" (63.5mm)	4-5/8" (117.5mm)	5-1/16" (129mm)	7-1/4" (184mm)	5-7/8" (149mm)	7/16" (11mm)

