

Starrett®



2900

3600

2700

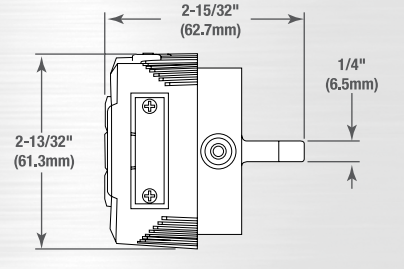
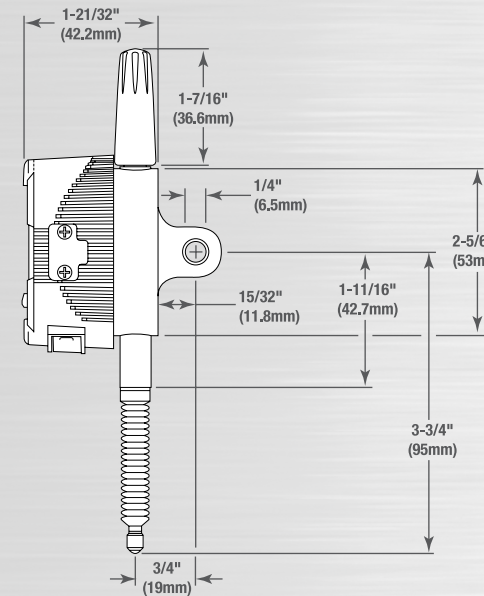
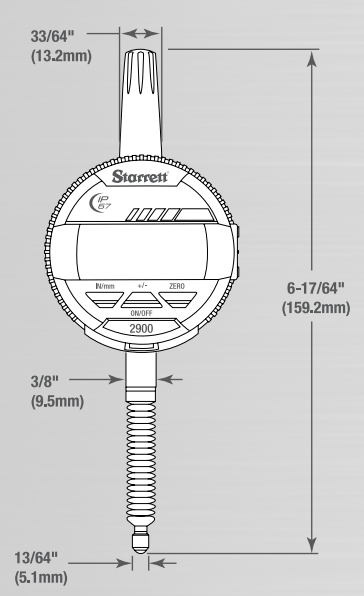
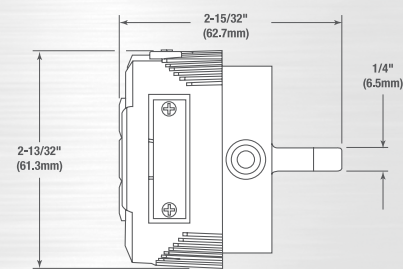
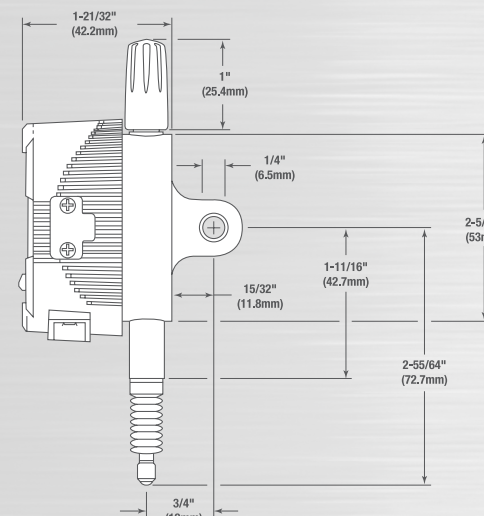
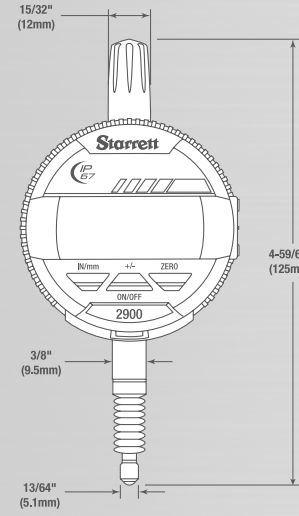
ELECTRONIC INDICATORS

2900 ELECTRONIC INDICATORS

The 2900 Indicator is available in a choice of configurations to meet a wide range of requirements. Innovative True Absolute Sensor Technology minimizes the chance of data loss for exceptional reliability. Built with IP67 protection and renowned Starrett quality, they maintain their reliability in hostile shop environments.

FEATURES

- Intuitive design and layout - easy to learn and use
- Positive, tactile-feel button activation
- Long battery life
- CE compliant
- Data output on all models
- Choice of Basic, Standard and Advanced feature levels
- One micron resolution available
- Selectable resolution models available
- Fixed ratio measurement systems available
- Metric-only versions available
- Compatible with Starrett 25 Series Indicator backs



| Catalog Number | Inch/Metric - .375" Stem - #4-48 UNF Thread | | | | | | | | | | | | Inch/Metric - 8mm Stem - M2.5 x 0.45 Thread | | | | | | | | | | Metric Only - 8mm Stem - M2.5 x 0.45 Thread | | | | | | | | | | | | |
|--|---|----------|----------|--------|----------|----------|--------|----------|----------|----------|--------|----------|---|----------|-------------|-------------|-------------|----------|-------------|-------------|-------------|----------|---|-------------|---------|------------|------------|------------|---------|------------|------------|------------|---------|------------|------------|
| | 2900-1 | 2900-1-1 | 2900-1-2 | 2900-2 | 2900-2-1 | 2900-3-1 | 2900-4 | 2900-4-1 | 2900-4-2 | 2900-5-1 | 2900-6 | 2900-6-1 | 2900-6-2 | 2900-1ME | 2900-1ME-25 | 2900-1ME-50 | 2900-3ME-25 | 2900-4ME | 2900-4ME-25 | 2900-4ME-50 | 2900-5ME-25 | 2900-6ME | 2900-6ME-25 | 2900-6ME-50 | 2900-1M | 2900-1M-25 | 2900-1M-50 | 2900-3M-25 | 2900-4M | 2900-4M-50 | 2900-4M-25 | 2900-5M-25 | 2900-6M | 2900-6M-25 | 2900-6M-50 |
| EDP | 09980 | 09960 | 72676 | 09981 | 09962 | 09963 | 09983 | 09965 | 72677 | 09967 | 09985 | 09969 | 72678 | 09971 | 09972 | 72679 | 09975 | 09976 | 09977 | 72681 | 09978 | 09979 | 09991 | 72683 | 09986 | 09961 | 72680 | 09964 | 09988 | 72682 | 09966 | 09968 | 09990 | 09970 | 72684 |
| Range | | | | | | | | | | | | | | | | | | | | | | | | | | | | | | | | | | | |
| .5" (12mm) | X | | | X | | | X | | | | X | | | X | | | | X | | | | X | | | X | | | | X | | | | X | | |
| 1" (25mm) | | X | | | X | X | | | X | | | X | | | X | | X | | X | | | X | | | | X | | X | | | | | | X | |
| 2" (50mm) | | | X | | | | | | X | | | X | | | | X | | | | X | | | | X | | | X | | | | | | | | X |
| Resolution | | | | | | | | | | | | | | | | | | | | | | | | | | | | | | | | | | | |
| .00005" (0.001mm) | X | X | X | | | | | | | | | | | X | X | X | | | | | | | | | | X | | | | | | | | | |
| .0001" (0.002mm) | | | | X | X | | | | | | | | | | | | | | | | | | | | | | | | | | | | | | |
| .0005" (0.01mm) | | | | | | | X | | | X | | | | | | | X | | | | X | | | | | | | | | | | | | | |
| .0005"/.0001"/.00005" (0.01mm/0.001mm) | | | | | | | | X | X | X | X | X | X | | | | X | X | X | X | X | X | X | | | | | | | | | | | X | |
| 0.001mm | | | | | | | | | | | | | | | | | | | | | | | | X | X | | | | | | | | | | |
| 0.01mm | | | | | | | | | | | | | | | | | | | | | | | | | | | X | | | | | | | | |
| 0.01mm/0.001mm | | | | | | | | | | | | | | | | | | | | | | | | X | | | | X | X | X | X | X | X | X | |
| Accuracy | | | | | | | | | | | | | | | | | | | | | | | | | | | | | | | | | | | |
| ±.00012" (±0.003mm) | X | X | X | X | X | | X | X | X | | X | X | X | X | X | X | | | X | X | X | | X | X | X | X | X | | | | | | | X | |
| ±0.003mm | | | | | | | | | | | | | | | | | | | | | | | | | | | | | | | | | | | |
| ±0.001" (±0.03mm) | | | | | | X | | | | X | | | | | | | X | | | | X | | | | | | | | | | | | | | |
| ±0.03mm | | | | | | | | | | | | | | | | | | | | | | | | | | | X | | | | X | | | | |
| Additional Features | | | | | | | | | | | | | | | | | | | | | | | | | | | | | | | | | | | |
| Origin Set, Zero Set | X | X | X | X | X | X | X | X | X | X | X | X | X | X | X | X | X | X | X | X | X | X | X | X | X | X | X | X | X | X | X | X | X | X | |
| Counting Direction Switching (±) | X | X | X | X | X | X | X | X | X | X | X | X | X | X | X | X | X | X | X | X | X | X | X | X | X | X | X | X | X | X | X | X | X | X | |
| Power ON/OFF | X | X | X | X | X | X | X | X | X | X | X | X | X | X | X | X | X | X | X | X | X | X | X | X | X | X | X | X | X | X | X | X | X | X | |
| Inch/mm Conversion | X | X | X | X | X | X | X | X | X | X | X | X | X | X | X | X | X | X | X | X | X | X | X | X | X | X | X | X | X | X | X | X | X | X | |
| SPC Output | X | X | X | X | X | X | X | X | X | X | X | X | X | X | X | X | X | X | X | X | X | X | X | X | X | X | X | X | X | X | X | X | X | X | |
| Limit Set | | | | | | | X | X | X | X | X | X | X | | | | | | | | | | | | | | | | | | | | | | |
| Value Preset | | | | | | | X | X | X | X | X | X | X | | | | | | | | | | | | | | | | | | | | | | |
| Reading Hold | | | | | | | X | X | X | X | X | X | X | | | | | | | | | | | | | | | | | | | | | | |
| Selectable Resolutions | | | | | | | X | X | X | X | X | X | X | | | | | | | | | | | | | | | | | | | | | | |
| Feature Lock | | | | | | | X | X | X | X | X | X | X | | | | | | | | | | | | | | | | | | | | | | |
| Max/Min/Runout Value Holding | | | | | | | | | | | X | X | X | | | | | | | | | | | | | | | | | | | | | | |
| IP 67 Protection | X | X | X | X | X | X | X | X | X | X | X | X | X | X | X | X | X | X | X | X | X | X | X | X | X | X | X | X | X | X | X | X | X | X | |
| True Absolute Sensor Technology | X | X | X | X | X | | X | X | X | X | X | X | X | X | X | X | X | X | X | X | X | X | X | X | X | X | X | X | X | X | X | X | X | X | |
| Fixed Ratios* | S.O. | S.O. | S.O. | S.O. | S.O. | S.O. | S.O. | S.O. | S.O. | S.O. | S.O. | S.O. | S.O. | S.O. | S.O. | S.O. | S.O. | S.O. | S.O. | S.O. | S.O. | S.O. | S.O. | S.O. | S.O. | S.O. | S.O. | S.O. | S.O. | S.O. | S.O. | S.O. | S.O. | S.O. | |
| Back Style | | | | | | | | | | | | | | | | | | | | | | | | | | | | | | | | | | | |
| Lug On Center | X | X | X | | | X | X | X | X | X | X | X | X | X | X | X | X | X | X | X | X | X | X | X | X | X | X | X | X | X | X | X | X | X | |
| Battery Type | | | | | | | | | | | | | | | | | | | | | | | | | | | | | | | | | | | |
| CR2032 (2) | X | X | X | | | X | X | X | X | X | X | X | X | X | X | X | X | X | X | X | X | X | X | X | X | X | X | X | X | X | X | X | X | X | |

*S.O. = Special Order

Starrett® 2700 BACKLIGHT INDICATORS

2700 BACKLIGHT INDICATORS

The 2700 Backlight Indicators are offered in 1", 2" and 4" ranges. The deep backlight color indicates tolerances and allows the indicator to be easily read at far distances, in poor lighting and with limited operator experience.

FEATURES

- Backlight relates a reading to tolerance values
- SPC Cables, USB, MTI, RS232
- Inch/metric display
- Travel reverse
- Maximum reading hold
- Single gage simple data collection software included
- Floating zero
- Minimum reading hold
- Abs./preset measuring mode
- T.I.R. with low and high storage recall
- USB/AC power cable included
- Lock combination



| Cat. No. | EDP | Range | SPC Output | Accuracy | Resolution |
|----------|-------|-------|------------|-------------|------------|
| 2700-800 | 72689 | 1" | x | (±) 2. Res. | .0001" |
| 2700-801 | 72690 | 1" | x | (±) 2. Res. | .000050" |
| 2700-802 | 72691 | 2" | x | (±) 2. Res. | .0005" |
| 2700-803 | 72692 | 2" | x | (±) 2. Res. | .0001" |
| 2700-804 | 72693 | 4" | x | (±) 2. Res. | .0005" |
| 2700-805 | 72694 | 4" | x | (±) 2. Res. | .0001" |

Accessories, Power Source, Cables

| Part No. | EDP | Description |
|----------|-------|---|
| PT60646 | 72592 | Cable to SPC computer, not foul switch |
| 2700SCKB | 69891 | SmartCable with USB 2.0 for 2700 Micrometer with foul switch and built-in wedge |
| 2700SCU | 23956 | USB Cable, 2700 Series |

Backs/Lever*

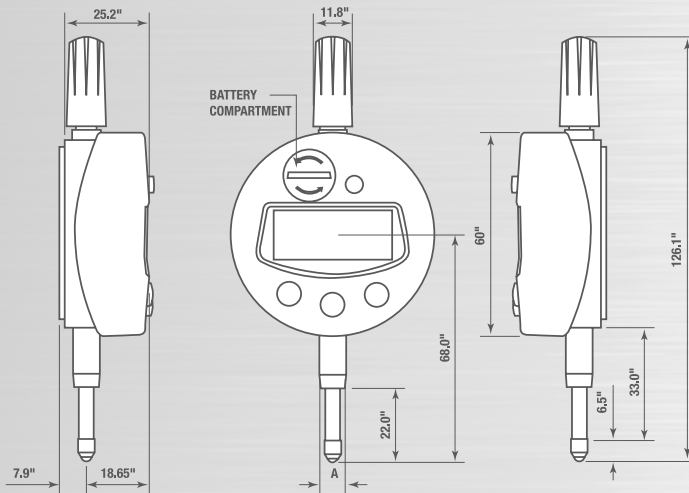
| Part No. | EDP | Description |
|----------|-------|----------------------------------|
| PT26406 | 65886 | Flat back |
| PT26407 | 65887 | Offset lug back |
| PT26411 | 65891 | Adjustable lug back |
| PT26408 | 65888 | Adjustable back |
| PT26409 | 65889 | Post-type back |
| PT26410 | 65890 | Screw bracket back |
| PT26848 | 66293 | Adjustable mounting bracket back |
| PT26405 | 65885 | Lifting lever |

*Other backs, styles and accessories also available by request.

The 3600 Indicator has powerful, easy-to-use functions. Versions are available for inch/metric and metric only.

FEATURES

- Long battery life
- Simple, powerful, easy-to-use functions, all at an attractive price
- Plastic storage case with clear cover
- Large, easy-to-read LCD
- Zero setting at any position
- Travel reverse
- Dust cap



| | Inch/Metric - .375" Stem - #4-48 UNF Thread | Metric Only - 8mm Stem - M2.5 x 0.45 Thread |
|----------------------------------|---|---|
| Catalog Number | 3600-5 | 3600M-5 |
| EDP | 68813 | 68918 |
| Range | | |
| .5" (12.7mm) | X | |
| 12.7mm | | X |
| Resolution | | |
| .0005" (0.01mm) | X | |
| 0.01mm | | X |
| Accuracy | | |
| ±0.001" (±0.03mm) | X | |
| ±0.03mm | | X |
| Additional Features | | |
| Origin Set, Zero Set | X | X |
| Counting Direction Switching (±) | X | X |
| Power ON/OFF | X | X |
| Inch/mm Conversion | X | |
| Back Style | | |
| Flat and Lug On Center | X | X |
| Battery Type | | |
| SR44 (1) | X | X |

The L.S. Starrett Company
 121 Crescent Street
 Athol, MA 01332
 Tel: 978-249-3551



starrett.com

Electronic Indicator Brochure
 Bulletin 450
 PDF 08/16
 The L.S. Starrett Company 2012®
 Specifications Subject to Change