



HG 2620 E



HG 2220 E

**Steinel America, Inc.**

9051 Lyndale Avenue South  
Bloomington, MN 55420  
Tel: 800-852-4343  
Fax: 952-888-5132  
[www.steinell.net](http://www.steinell.net)

110049214 08/2016 Technical changes subject to no prior notification. Printed in Germany.

Information  
HG 2620 E  
HG 2220 E

## IMPORTANT SAFETY INSTRUCTIONS

### READ THESE INSTRUCTIONS

**UL WARNING:** Read this instruction book before using. To reduce risk of fire or electric shock, do not expose to rain or moisture. Store indoors. Double insulated. When servicing, use only identical replacement parts. When using electric tools, basic safety precautions should always be followed to reduce risk of fire, electric shock and personal injury. This hot air gun operates at 1300°F with no visual indication of temperature (no flame). Never leave device unattended. Otherwise risk of fire. The heat stream at the outlet nozzle will burn flesh. Do not turn on hot air tool with hand in front of nozzle. **DO NOT USE NEAR COMBUSTIBLE LIQUIDS. DO NOT USE FOR:** ● Heating gas engines ● Heating car batteries ● Thawing refrigerator equipment.

**WARNING:** Some dust created by power sanding, sawing, grinding, drilling and other construction activities contains chemicals known (to the State of California) to cause cancer, birth defects, or other reproductive harm. Some examples of these chemicals are:

- Lead from lead-based paints,
- Crystalline silica from bricks and cement and other masonry products, and
- Arsenic and chromium from chemically-treated lumber.

Your risk from these exposures varies, depending on how often you do this type of work. To reduce your exposure to these chemicals: work in a well ventilated area, and work with approved safety equipment, such as those dust masks that are specially designed to filter out microscopic particles.

### WARNING!

This tool is capable of producing temperatures up to 1300° F of flameless heat at the nozzle. ALWAYS:

- Direct the heat away from yourself and others.
- Prevent ignition of combustible materials on or near the workpiece.
- Prevent blockage of intake and nozzle openings.
- Keep a fully charged fire extinguisher on hand.
- Allow the nozzle and accessory tips to cool to room temperature before storage.

### Cautions

1. **WARNING:** Hidden areas such as behind walls, ceilings, floors, soffit boards and other panels may contain flammable materials that could be ignited by the hot air tool when working in these locations. The ignition of these materials may not be readily apparent and could result in property damage and injury to persons. Do not use if in doubt about this hazard. When working in these locations, keep the hot air tool moving in a back-and-forth motion. Lingering or pausing in one spot could ignite the panel or the material behind it.
2. This hot air tool can produce up to 1300°F of flameless heat at the nozzle. Do not direct airstream at clothing, hair or other body parts. Do not use as a hair dryer.
3. Do not use near flammable liquids or in an explosive environment (fumes, gases or dust). Remove materials or debris, that may become ignited from work area.
4. Always hold tool by plastic enclosure. The metal nozzle requires approximately 20 minutes to cool to where it can be touched. Do not touch nozzle or accessory tips until cool.
5. Do not store tool until nozzle has cooled to room temperature. Place tool in a clear area away from combustible materials while cooling.
6. Do not cut off airflow by placing nozzle too close to work piece. Keep intake vents clean and clear of obstructions.
7. Place tool on a level surface when tool is not hand held. Place cord in a position that won't cause tipping.
8. Do not leave tool unattended while running or cooling down. Otherwise risk of fire.
9. Keep a fully charged fire extinguisher nearby.
10. Do not direct airflow directly on glass.
11. Shield materials around the heated area to prevent damage or fire.
12. Use only with 120 V AC voltage.
13. Do not use in wet conditions.
14. Not to be used by children. This is not a toy and should be respected.

15. Do not use in bath or over water.
16. Safety glasses should be worn when using this tool.
17. It is recommended that leather gloves be worn when using a hot air tool.
18. Always unplug after use.
19. **WARNING:** Extreme care should be taken when stripping paint. The peelings, residue and vapors of paint may contain lead, which is poisonous. Any pre-1977 paint may contain lead and paint applied to homes prior to 1950 is likely to contain lead. Once deposited on surfaces, hand to mouth contact can result in the ingestion of lead. Exposure to even low levels of lead can cause irreversible brain and nervous system damage; young and unborn children are particularly vulnerable. Before beginning any paint removal process you should determine whether the paint you are removing contains lead. This can be done by your local health department or by a professional who uses a paint analyzer to check the lead content of the paint to be removed. **LEAD-BASED PAINT SHOULD ONLY BE REMOVED BY A PROFESSIONAL AND SHOULD NOT BE REMOVED USING A HOT AIR TOOL.**
20. Do not allow dust, debris or other contamination to enter the heat blower air intake. They may ignite or cause damage to the tool.

Persons removing materials should follow these guidelines.


1. Move the work piece outdoors. If this is not possible, keep the work area well ventilated. Open the windows and put an exhaust fan in one of them. Be sure the fan is moving the air from inside to outside.
2. Remove or cover any carpets, rugs, furniture, clothing, cooking utensils and air ducts.
3. Place drop cloths in the work area to catch any residue. Wear protective clothing such as extra work shirts, overalls and hats.
4. Work in one room at a time. Furnishings should be removed or placed in the center of the room and covered. Work areas should be sealed off from the rest of the dwelling by sealing doorways with drop cloths.
5. Children, pregnant or potentially pregnant women and nursing mothers should not be present in the work area until the work is done and all clean up is complete.
6. Wear a dust respirator mask or a dual filter (dust and fume) respirator mask which has been approved by the Occupational Safety and Health Administration (OSHA), the National Institute of Safety and Health (NIOSH), or the United States Bureau of Mines. These masks and replaceable filters are readily available at major hardware stores. Be sure the mask fits. Beards and facial hair may keep masks from sealing properly. Change filters often. **DISPOSABLE PAPER MASKS ARE NOT ADEQUATE.**
7. Use caution when operating the hot air tool. Keep the hot air tool moving as excessive heat will generate fumes which can be inhaled by the operator.
8. Keep food and drink out of the work area. Wash hands, arms and face and rinse mouth before eating or drinking. Do not smoke or chew gum or tobacco in the work area.
9. Clean up all removed residue and dust by wet mopping the floors. Use a wet cloth to clean all walls, sills and any other surface where residue or dust is clinging. **DO NOT SWEEP, DRY DUST OR VACUUM.** Use a high phosphate detergent or trisodium phosphate (TSP) to wash and mop areas.
10. At the end of each work session put the residue and debris in a double plastic bag, close it with tape or twist ties, and dispose of properly.
11. Remove protective clothing and work shoes in the work area to avoid carrying dust into the rest of the dwelling. Wash work clothes separately. Wipe shoes off with a wet rag that is then washed with the work clothes. Wash hair and body thoroughly with soap and water.

## SAVE THESE INSTRUCTIONS

## Thank you

Thank you for choosing a STEINEL hot air tool. This tool can be used for completing a wide range of jobs safely and reliably, such as soldering, welding PVC, shaping, drying, shrink-fitting, stripping paint, etc. All STEINEL tools are manufactured to the highest standards and undergo a strict process of quality control. Used in the proper manner, this hot air tool will give you lasting satisfaction.

## Double Insulated Tools

Tools marked with the words "Double Insulated" are equipped with a two prong plug. These tools have a special insulation system that complies with applicable UL standards . They do not require grounding. "Double Insulated" tools, like this one, have two prong cords and can use either a two or three prong extension cord.

This appliance has a polarized plug (one blade is wider than the other). To reduce the risk of electric shock, this plug is intended to fit in a polarized outlet only one way. If the plug does not fit fully in the outlet, reverse the plug. If it still does not fit, contact a qualified electrician. Do not modify the plug in any way.

## Extension Cords

As the distance from the supply outlet increases, heavier gauge extension cords are required. The use of extension cords of inadequate size wire causes a serious drop in voltage and loss of power. Protect the cord from damage. Keep cords away from excessive heat, sharp edges and damp or wet areas. Repair or replace damaged extension cords before using.

Ext. Cord Length	Wire Size
40 Ft.	16
85 Ft.	14
100 Ft.	12
170 Ft.	10
270 Ft.	8
400 Ft.	6
650 Ft.	4

## Conversion °C to °F

°C	= °F
100	212
200	392
300	572
400	752
500	932
600	1112
700	1292

## Conversion °F to °C

°F	= °C
100	38
200	93
300	149
400	204
500	260
600	316
700	371
800	427
900	482
1000	538
1100	593
1200	649

## For Your Safety (HG 2620 E / HG 2220 E)

**First time use, a small quantity of smoke may occur when the tool is used for the first time. This smoke is caused by binding agents released from the heater's insulating film during the first time of use. To let the smoke escape quickly, the tool should be set down on its standing surface. The area you are working in should be well ventilated when using the tool for the first time. Any smoke coming out of the tool is not harmful!**

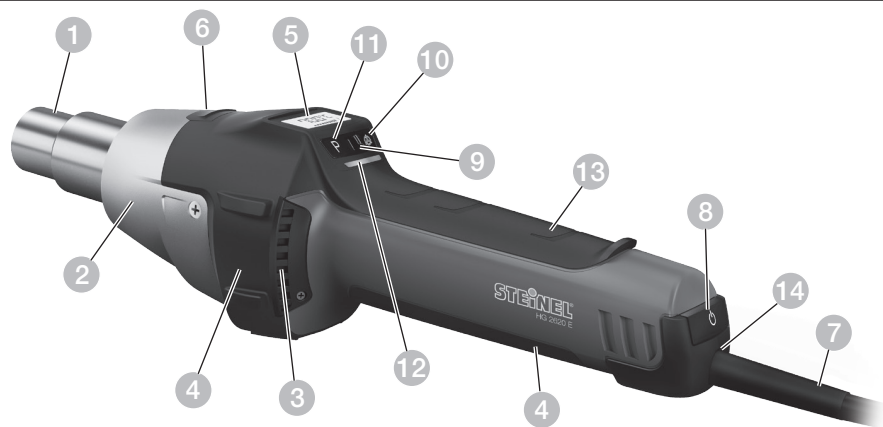
### Residual heat indicator (HG 2620 E)

The residual heat indicator serves as a visual warning to prevent injury from direct contact with the hot nozzle outlet by flashing until the temperature at the nozzle outlet has fallen below 140 degrees F at room temperature. It begins working after the tool has been in use for 90 seconds and also works when the tool is unplugged. No indication will be shown if the tool has been in operation for less than 90 seconds. Responsibility always rests with the user and care must be taken at all times when handling hot air tools.

### These hot air tools are protected from overheating:

The thermal cut-out completely shuts down the tool if it is overloaded.

## HG 2620 E



## Tool features HG 2620 E

- |  |  |
|--|--|
| 1 Stainless steel outlet nozzle                              | 8 ON/OFF Button                                  |
| 2 Removable guard sleeve                                     | 9 Joystick (for setting airflow and temperature) |
| 3 Air inlet with integrated fine dust filter                 | 10 Button for airflow rate mode                  |
| 4 Soft coating for non-slip standing                         | 11 Program selector button and memory button     |
| 5 LCD display  | 12 Residual heat indicator                       |
| 6 Removable cap for mounting HG Scan PRO temperature scanner | 13 Soft grip handle for comfortable operation    |
| 7 Heavy-duty rubber-insulated power cord                     | 14 Replaceable main power cord                   |

## Tool description - Operation

**Please note:** The distance from the object you are working on depends on material and intended method of working. Always try out the airflow and temperature on a test piece first. Using the attachable accessory nozzles (see accessories page on the cover) the flow of hot air can be controlled with maximum precision.

**Take care when changing hot nozzles!** When using the hot air tool in the self-resting position, make sure it is standing on a stable, non-slip and clean surface.

## 1. Operation

The tool is switched on and off at the ON/OFF button **8** on the back of the grip handle. The joystick **9** is used for controlling temperature and airflow or fan speed.

## 2. Setting the temperature

Temperature can be infinitely varied over a range of 120-1300 °F at the joystick on the control panel with LCD display. The actual temperature is measured at the hot air outlet nozzle and indicated on the display.

The joystick **9** is used as an input button with plus/minus function.

Briefly pressing the "+/-" joystick increases or reduces the temperature setting in 10 ° steps. Keeping the joystick pressed speeds up the temperature setting process. Once the temperature has been set, the tool takes a few seconds to reach temperature (depending on speed/airflow). The temperature setting selected is shown on the display for 3 seconds. The display then shows the current actual temperature. The "°C/°F" symbol continues to flash until the selected temperature is reached.

If you want to alter the setting, simply press the joystick again to increase or reduce the temperature. After switching off, the hot air tool stays in the last setting.

## 3. Setting airflow rate

To change the airflow rate, first press the button for airflow mode **10**; the fan symbol flashes. Now use the joystick to set the airflow rate. The airflow rate setting mode automatically closes if the airflow rate setting is not changed within 5 seconds. Pressing the airflow button again after setting the airflow rate immediately closes the airflow rate setting mode. The airflow rate can be varied from a minimum of 2 cfm to a maximum of 13 cfm.

## Temperature measurement on the workpiece

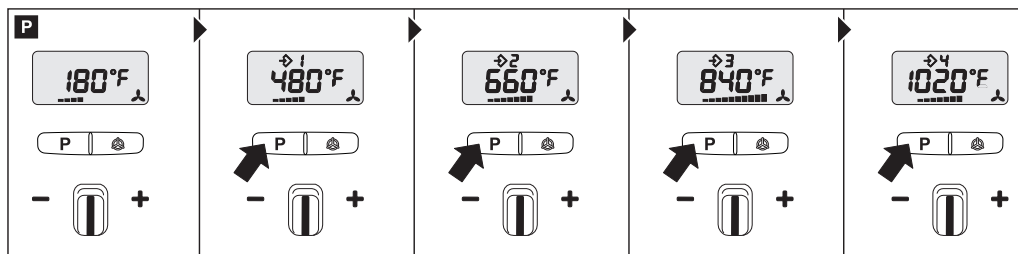
We recommend the STEINEL HG Scan PRO temperature scanner (Prod. No.: 110033508) for detecting the temperature at the workpiece.

### Programming mode [P]

Four programs are factory-set for the most common types of work. Press button "P" for programming mode. Number 1 is displayed for programme 1. Continuing to press the programme button will take you to programs 2-4. Pressing the button again will return the tool to normal operation.

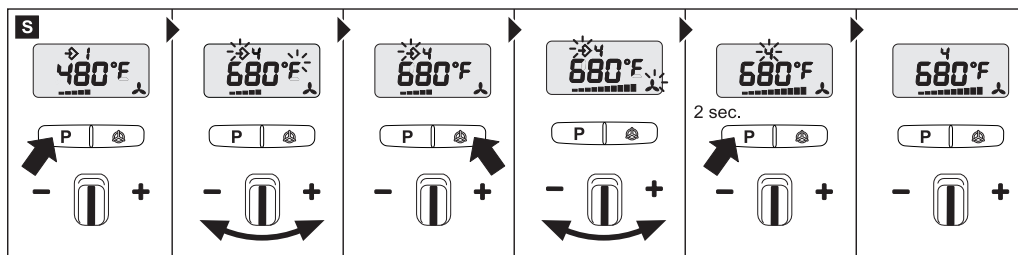
### Preset programs

Program	Temperature °F (°C)	Air cfm
1	480 °F (250 °C)	7 cfm
2	660 °F (350 °C)	9 cfm
3	840 °F (450 °C)	11 cfm
4	1020 °F (550 °C)	11 cfm

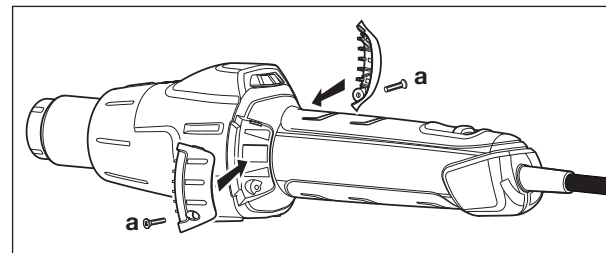


### Memory function [S]

The values selected for the four programs can be changed and memorised at any time. To do this, first press the program button "P" (1) until the display shows the program you wish to change. Set the temperature and airflow rate you require. Memory symbol on the LCD flashes to indicate that the user program selected has been changed. To memorise this setting in the user program selected, press and hold down the program selector button. The memory symbol continues to flash for approx. 2 sec. The settings entered are saved once the memory symbol stays on all the time. To return to normal operation, press the program button until the program symbol disappears from the display.

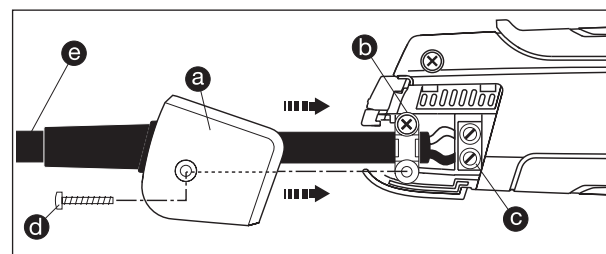


## Maintenance



**Fine dust filter (3)**  
The HG 2620 E has an integrated fine dust filter (3). To clean it (with compressed air), undo screws (a), take off cover and remove filter.

## Repair



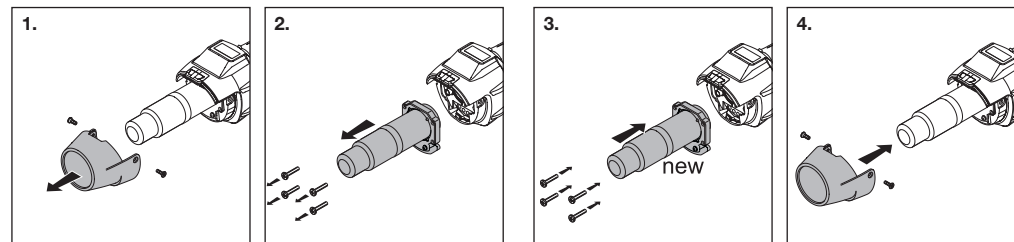
**Changing the power cord (14)**  
**Important! Disconnect tool from power supply. Let have electrical repairs only be executed by fully trained licensed electricians.**

**If the power cord is damaged, it can easily be changed without opening the casing.**

1. Undo screw (d) and pull off cover cap (a).
2. Release cable grip (b).
3. Undo mains terminals (c).
4. Pull out cable (e).
5. Insert new cable and secure in reverse order (1. Firmly screw down mains terminals etc.).

## Changing the heating element

The plug-in heating element in the HG 2620 E can be changed in a matter of seconds.




**Important! Disconnect tool from power supply.**

1. Undo guard sleeve screws and remove guard sleeve (Fig. 1).
2. Undo 4 screws at the end of the hot air outlet nozzle and detach heating element.
3. Replace the heating element with a new one and firmly screw heating element into place (Fig. 3).
4. Firmly screw guard sleeve back on (Fig. 4).

## Other functions

### Restart protection

Restart protection prevents the hot air tool from starting after an interruption in the power supply. The hot air tool is only ready for operation again after switching it on at the ON/OFF button .

### LOC function

To avoid altering the chosen settings unintentionally, the HG 2620 E comes with a Lockable Override Control Function (LOC). To find out how to set the LOC function, please contact our Service Department on **+888-298-8298**.

## Technical Specifications HG 2620 E

Voltage	120 V, 60 Hz
Output	1750 W max.
Temperature	120-1300 °F, 50-700°C continuously variable
Airflow rate	2-13 cfm, continuously variable
Air pressure	3000 Pa
Delivery nozzle Ø	30 mm, using Professional nozzles
Motor life	approx. 10,000 hrs.
Heater life	approx. 800 hrs.
Residual heat indicator	Yes
Power cord	Industrial grade rubber, double insulated
Thermal cut-out	Yes
Emission sound pressure level	≤ 70dB (A)
Total vibration value	≤ 2.5 m/s <sup>2</sup> / K = 0.08 m/s <sup>2</sup>
Weight without power cord	0.84 kg

Subject to technical modifications

## Applications HG 2620 E

Here are some of the applications you can use STEINEL hot air tools for. This selection is by no means exhaustive – no doubt you can immediately think of other examples.

- Welding bitumen.
- Welding tarpaulins and films.
- Welding PVC floor coverings and linoleum.
- Working rigid thermoplastic materials in plastics and tank construction.
- Shaping thermoplastics.
- Drying wet surfaces.
- Activating and removing glues and hot-melt adhesives.
- Drying and heating processes of all kinds.

Plastic types:		
Material	Application types	Distinguishing characteristics
<b>Rigid PVC</b>	Piping, fittings, boards, building profiles, technical molded components, etc. Welding temperature 550 - 650 °F (290 - 345 °C)	<b>Incineration test:</b> carbonizes in the flame and extinguishes on its own <b>Smoke odor:</b> pungent, of hydrochloric acid <b>Drop test:</b> crashing
<b>Plasticized PVC</b>	Floor coverings, wallpaper, hoses, sheets, tools, etc. Welding temperature 550 - 650 °F (290 - 345 °C)	<b>Incineration test:</b> smoking, yellowish-green flame <b>Smoke odor:</b> pungent, of hydrochloric acid <b>Drop test:</b> silent
<b>Plasticized PE (LDPE)</b> Polyethylene	Domestic and electronic items, toys, bottles, etc. Welding temperature 450 - 550 °F (230 - 290 °C)	<b>Incineration test:</b> light, yellow flame, drops continue to burn <b>Smoke odor:</b> resembles an extinguished candle <b>Drop test:</b> dull
<b>Hard PE (HDPE)</b> Polyethylene	Baths, baskets, canisters, insulating materials, piping, cellar shafts, transport containers, waste bins, etc. Welding temperature 550 - 650 °F (290 - 345 °C)	<b>Incineration test:</b> light, yellow flame, drops continue to burn <b>Smoke odor:</b> resembles an extinguished candle <b>Drop test:</b> crashing
<b>PP</b> Polypropylene	HT drainpipes, plastic chairs, packaging, car components, equipment housing, technical moldings, battery boxes, etc. Welding temperature 450 - 550 °F (230 - 290 °C)	<b>Incineration test:</b> light flame with a blue core, drops continue to burn <b>Smoke odor:</b> pungent odor of paraffin <b>Drop test:</b> crashing
<b>ABS</b>	Car components, equipment housing, suitcases Welding temperature 625 - 725 °F (330 - 385 °C)	<b>Incineration test:</b> black, fluffy smoke <b>Smoke odor:</b> sweetish <b>Drop test:</b> crashing

## Accessories HG 2620 E

Your retailer has a wide range of accessories for you to choose from.

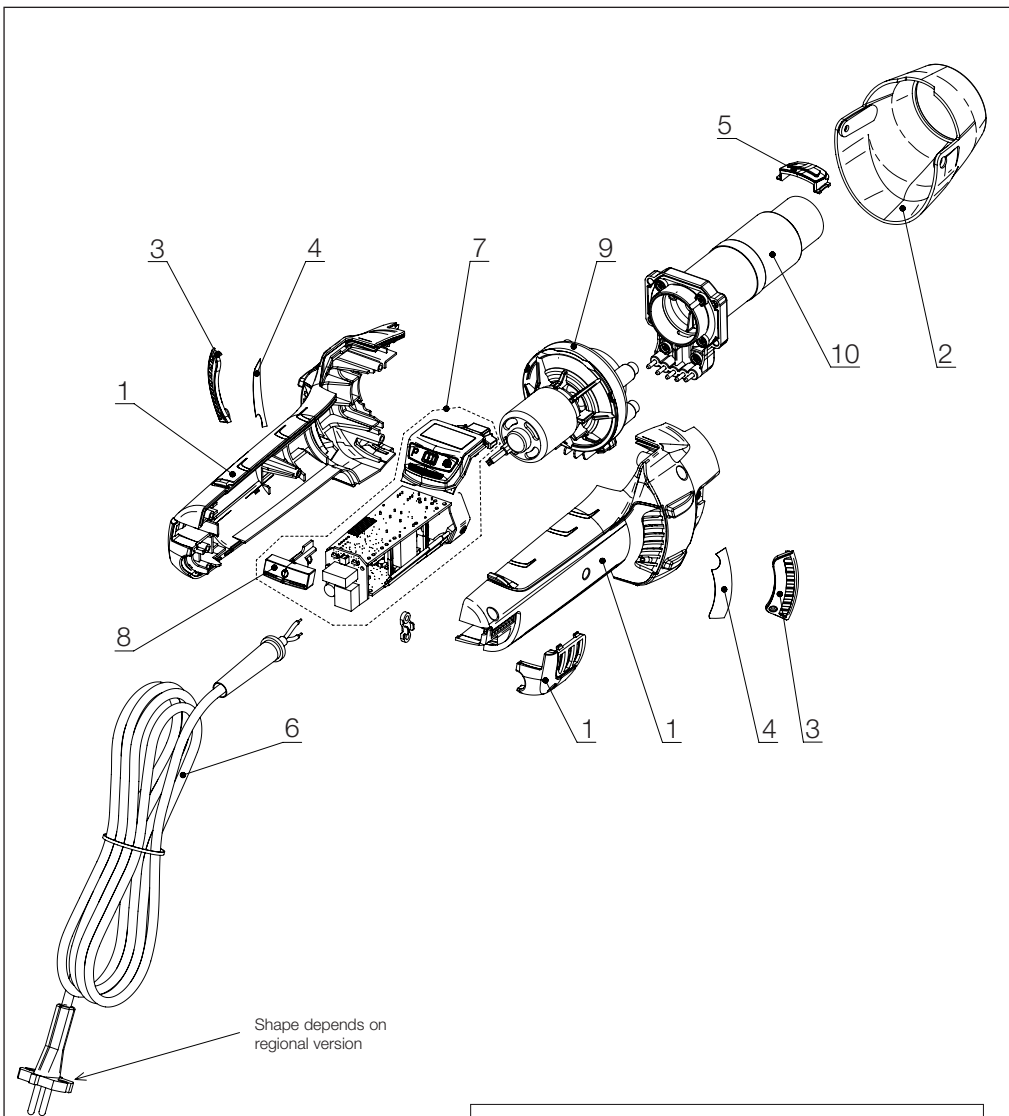


## Accessories HG 2620 E



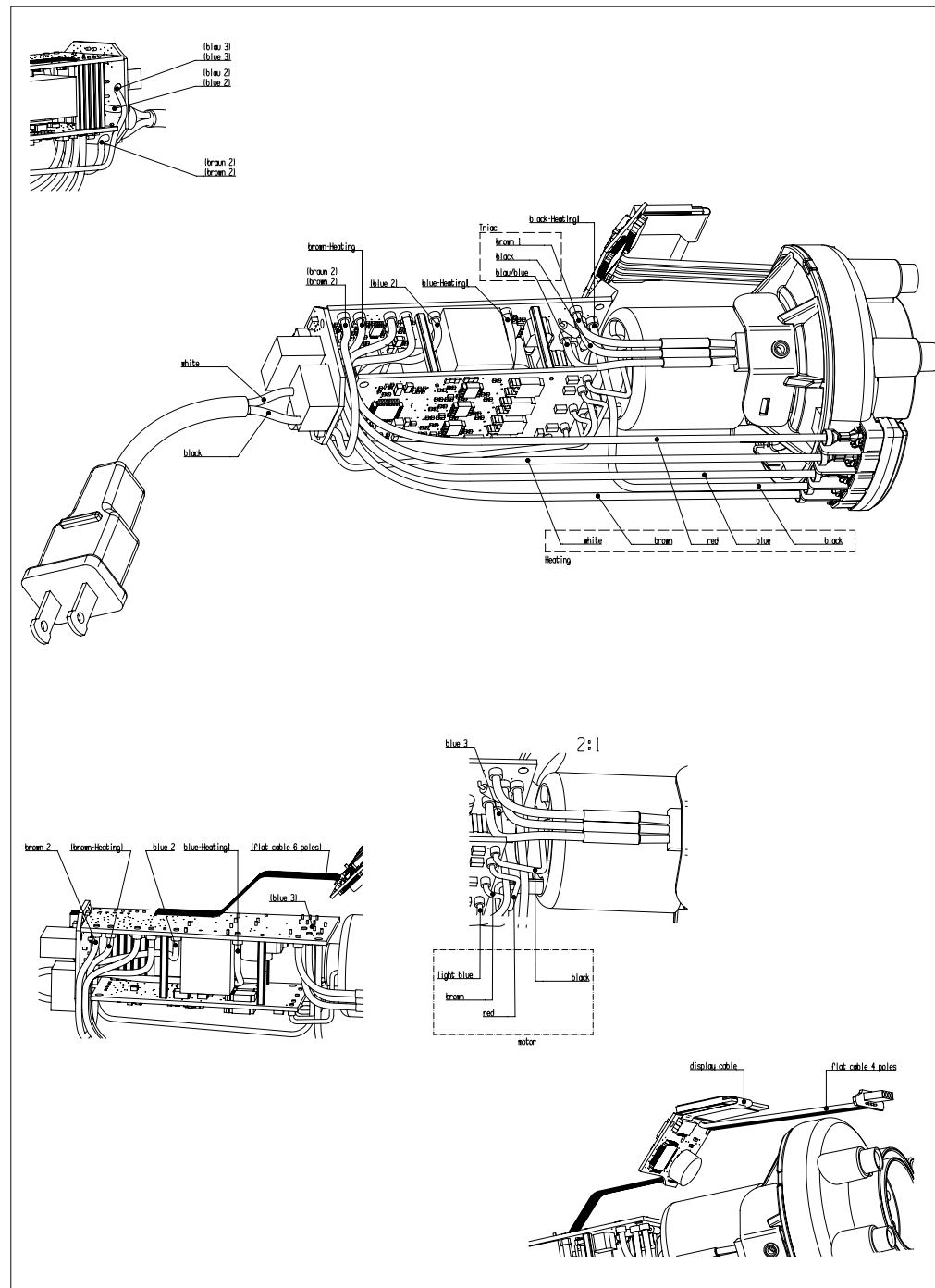
1	Round nozzle, 5 mm	Prod. No. 110048652	19	Fast welding nozzle, 4 mm, with narrow air slot	Prod. No. 110039076
2	Round nozzle, 10 mm	Prod. No. 110048653	20	Fast welding nozzle, 5 mm, with narrow air slot	Prod. No. 110039166
3	Round nozzle, extended, 5 mm	Prod. No. 110038668	21	Joining plane	Prod. No. 110038478
4	Flat angled nozzle, 20 x 2 mm Flat angled nozzle, 20 x 2 mm, straight	Prod. No. 110049713 Prod. No. 107082800	22	Quarter-moon knife	Prod. No. 110038479
5	Flat angled nozzle, 40 x 2 mm	Prod. No. 110049712	23	Soldering reflector nozzle	Prod. No. 110039169
6	Flat angled nozzle, 30 x 2 mm	Prod. No. 110039176	24	Reflector nozzle, 20 mm	Prod. No. 110039167
7	Flat angled nozzle, 40 x 2 mm, perforated	Prod. No. 110038670	25	Reflector nozzle, 35 mm	Prod. No. 110039168
8	Flat nozzle for bitumen, 60 x 2 mm	Prod. No. 110038674	26	Sieve reflector nozzle, 35 x 20 mm	Prod. No. 110038726
9	Pressure roller rubber, 50 mm	Prod. No. 110038455	27	Sieve reflector nozzle, 50 x 35 mm	Prod. No. 110038725
10	Pressure roller silicone, 35 mm	Prod. No. 110031646	28	Shell reflector nozzle	Prod. No. 110039170
11	Tarpaulin shears	Prod. No. 110038728	29	HG Scan PRO	Prod. No. 110033508
12	Fillet weld feeder	Prod. No. 110039165	30	Plastic welding rod rigid PVC	Prod. No. 110048754
13	Weld slide	Prod. No. 110038477	31	Plastic welding rod HDPE	Prod. No. 110048753
14	Welding nozzle	Prod. No. 110048747	32	Plastic welding rod PP	Prod. No. 110048757
15	Fast welding nozzle, 3 mm	Prod. No. 110038331	33	Plastic welding rod ABS	Prod. No. 110048756
16	Fast welding nozzle, 4 mm	Prod. No. 110038332	34	Thermo flex welding rod	Prod. No. 110049675
17	Fast welding nozzle, 5 mm	Prod. No. 110038333			
18	Fast welding nozzle, 3 mm, with narrow air slot	Prod. No. 110038676			

## Spare Parts List HG 2620 E



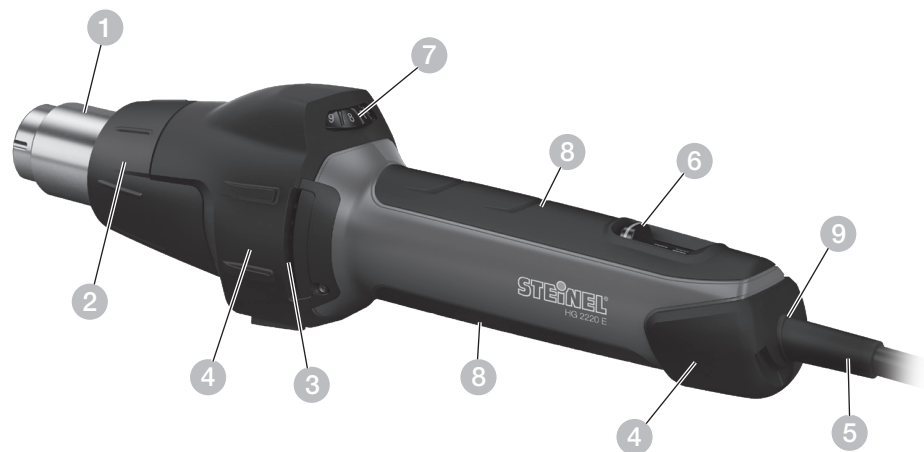
	Pos.	Part No.
<b>HG 2620 E, Type 3518</b>		
Spare Part Housing Set HG 2620 E US	1	110050676
Spare Part Protection Tube HG 2620 US	2	110040719
Spare Part Dust Particle Filter HG 2620	3	110050697
Spare Part Fine Dust Particle Fleece HG 2620	4	110040800
Spare Part Cover Cap HG 2620 US	5	110040720
Spare Part Power Cord HG 2620 US	6	110025024
Spare Part Electronic Unit HG 2620 US	7	110050698
Spare Part Switch HG 2620 US	8	110040804
Spare Part Motor Unit HG 2620 US	9	110036756
Spare Part Heating Element HG 2620 US	10	110050702

## Wiring Diagram HG 2620 E





## HG 2220 E



## Tool features HG 2220 E

- |   |  |   |   |
|---|--|---|---|
| 1 | Stainless steel outlet nozzle              | 6 | Multiple-stage switch for adjusting airflow (2-stage) |
| 2 | Removable guard sleeve                     | 7 | Thumbwheel for setting temperature                    |
| 3 | Air inlet with integrated fine dust filter | 8 | Soft grip handle for comfortable operation            |
| 4 | Soft coating for non-slip standing         | 9 | Replaceable mains power cord                          |
| 5 | Heavy-duty rubber-insulated power cord     |   |   |

## Tool description - Operation HG 2220 E

**Please note:** The distance from the object you are working on depends on material and intended method of working. Always try out the airflow and temperature on a test piece first. Using the attachable accessory nozzles (see accessories page on the cover) the flow of hot air can be controlled with maximum precision.

**Take care when changing hot nozzles!** When using the hot air tool in the self-resting position, make sure it is standing on a stable, non-slip and clean surface.

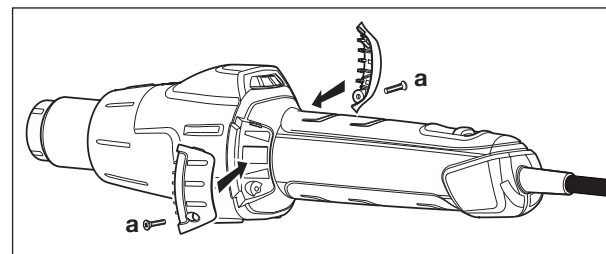
The tool is switched on and off by means of a two-stage airflow switch (6). In settings 1 and 2, the temperature is continuously variable at a thumbwheel in 9 steps. The guard sleeve can be removed.

Switching on causes brief voltage drops. If the mains power supply system is not absolutely stable, other equipment may be affected. No disturbance is likely to occur with mains impedances of less than 0.43 ohms.

## Maintenance

## Fine dust filter (3)

The HG 2220 E has an integrated fine dust filter (3). To clean it (with compressed air), undo screws (a), take off cover and remove filter.

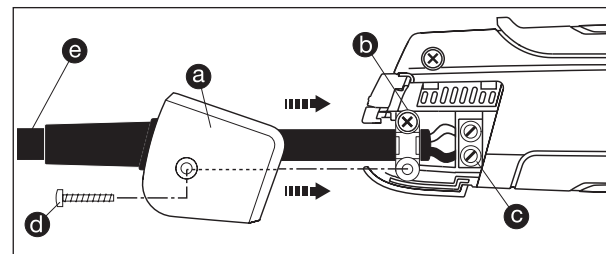


## Repair

## Changing the power cord (14)

**Important! Disconnect tool from power supply.**

**Let have electrical repairs only be executed by fully trained licensed electricians.**



If the power cord is damaged, it can easily be changed without opening the casing.

1. Undo screw (d) and pull off cover cap (a).
2. Release cable grip (b).
3. Undo mains terminals (c).
4. Pull out cable (e).
5. Insert new cable and secure in reverse order (1. Firmly screw down mains terminals etc.).

## Technical Specifications HG 2220 E

Voltage	120 V, 60 Hz	
Output	1500 W	
Stage	1	2
Airflow rate	4 - 7 cfm	6 - 12 cfm
Temperature	120 - 1100 °F 50 - 600 °C	120 - 1100 °F 50 - 600 °C
Temperature setting	At thumbwheel in 9 steps	
Power Cord	Industrial grade rubber, double insulated	
Thermal cut-out	Yes	
Emission sound pressure level	≤ 70dB (A)	
Total vibration value	≤ 2.5 m/s <sup>2</sup> / K = 0.08 m/s <sup>2</sup>	
Weight without power cord	0.610 kg	
Subject to technical modifications		

### Settings

	Airflow rate <b>stage 1</b> low airflow rate	Airflow rate <b>stage 2</b> high airflow rate
Thumbwheel	Temperature approx.	Temperature approx.
1	176 °F (80 °C)	176 °F (80 °C)
2	230 °F (110 °C)	230 °F (110 °C)
3	374 °F (190 °C)	356 °F (180 °C)
4	536 °F (280 °C)	500 °F (260 °C)
5	680 °F (360 °C)	644 °F (340 °C)
6	824 °F (440 °C)	788 °F (420 °C)
7	932 °F (500 °C)	896 °F (480 °C)
8	1058 °F (570 °C)	1040 °F (560 °C)
9	1166 °F (630 °C)	1166 °F (630 °C)

Depending on how accurately the thumbwheel is set, the guide values shown may differ by up to +/- 68 °F from the temperature actually delivered.

## Applications HG 2220 E

### Shrink tubing on cables:

The shrink tubing is slipped over the section you want to insulate and heated with hot air. The tubing shrinks by approx. 50% in diameter to give a sealed union. Shrinking is particularly fast and even using reflector nozzles. Sealing and stabilizing cable breaks, insulating soldered joints, gathering cable runs, sheathing terminal blocks.

### Forming PVC:

Sheeting, piping or ski boots can be softened and formed with hot air.

### Soldering:

First, clean metal parts you want to join. Then, using hot air, heat the point you want to solder and offer up the soldering wire. Use flux or a soldering wire with a flux core to prevent oxide forming.

### Welding and joining plastic:

All parts being welded must be of the same plastic material. Use an appropriate welding rod.

### Joining plastic sheeting:

The sheets are overlapped and welded together. A slit nozzle is used to direct hot air under the overlap, then the two sheets are firmly pressed together with a feed roller.

Also possible: Repairing PVC tarpaulins by overlap welding with a slit nozzle.

### Shaping:

Ski boots and sports shoes can be shaped for a perfect fit.

### Welding sheeting:

The sheets are overlapped and welded together. A slit nozzle is used to direct hot air under the overlap, then the two sheets are firmly pressed together with a feed roller.

Also possible: Repairing PVC tarpaulins by overlap welding with a slit nozzle.

- Welding all thermoplastics.
- Welding films and tarpaulins.
- Welding plastics and jointing.
- Activating and removing glues and hot-melt adhesives.
- Thawing frozen door locks, frozen water pipes, icy steps.
- Heating car-wrapping films.
- Applying edgebands.
- Shaping thermoplastics.

Plastic types:		
Material	Application types	Distinguishing characteristics
<b>Rigid PVC</b>	Piping, fittings, boards, building profiles, technical molded components, etc. Welding temperature 550 - 650 °F (290 - 345 °C)	<b>Incineration test:</b> carbonizes in the flame and extinguishes on its own <b>Smoke odor:</b> pungent, of hydrochloric acid <b>Drop test:</b> crashing
<b>Plasticized PVC</b>	Floor coverings, wallpaper, hoses, sheets, tools, etc. Welding temperature 550 - 650 °F (290 - 345 °C)	<b>Incineration test:</b> smoking, yellowish-green flame <b>Smoke odor:</b> pungent, of hydrochloric acid <b>Drop test:</b> silent
<b>Plasticized PE (LDPE)</b> Polyethylene	Domestic and electronic items, toys, bottles, etc. Welding temperature 450 - 550 °F (230 - 290 °C)	<b>Incineration test:</b> light, yellow flame, drops continue to burn <b>Smoke odor:</b> resembles an extinguished candle <b>Drop test:</b> dull
<b>Hard PE (HDPE)</b> Polyethylene	Baths, baskets, canisters, insulating materials, piping, cellar shafts, transport containers, waste bins, etc. Welding temperature 550 - 650 °F (290 - 345 °C)	<b>Incineration test:</b> light, yellow flame, drops continue to burn <b>Smoke odor:</b> resembles an extinguished candle <b>Drop test:</b> crashing
<b>PP</b> Polypropylene	HT drainpipes, plastic chairs, packaging, car components, equipment housing, technical moldings, battery boxes, etc. Welding temperature 450 - 550 °F (230 - 290 °C)	<b>Incineration test:</b> light flame with a blue core, drops continue to burn <b>Smoke odor:</b> pungent odor of paraffin <b>Drop test:</b> crashing
<b>ABS</b>	Car components, equipment housing, suitcases Welding temperature 625 - 725 °F (330 - 385 °C)	<b>Incineration test:</b> black, fluffy smoke <b>Smoke odor:</b> sweetish <b>Drop test:</b> crashing

## Accessories HG 220 E

Your retailer has a wide range of accessories for you to choose from.

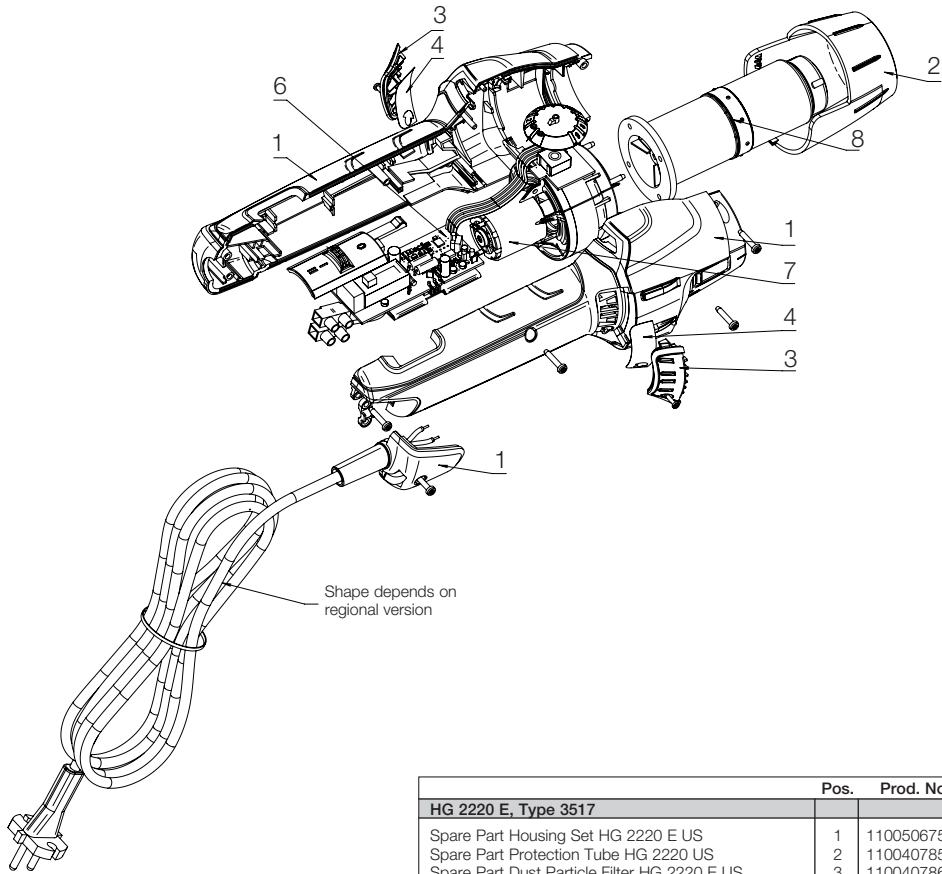


## Special Accessories



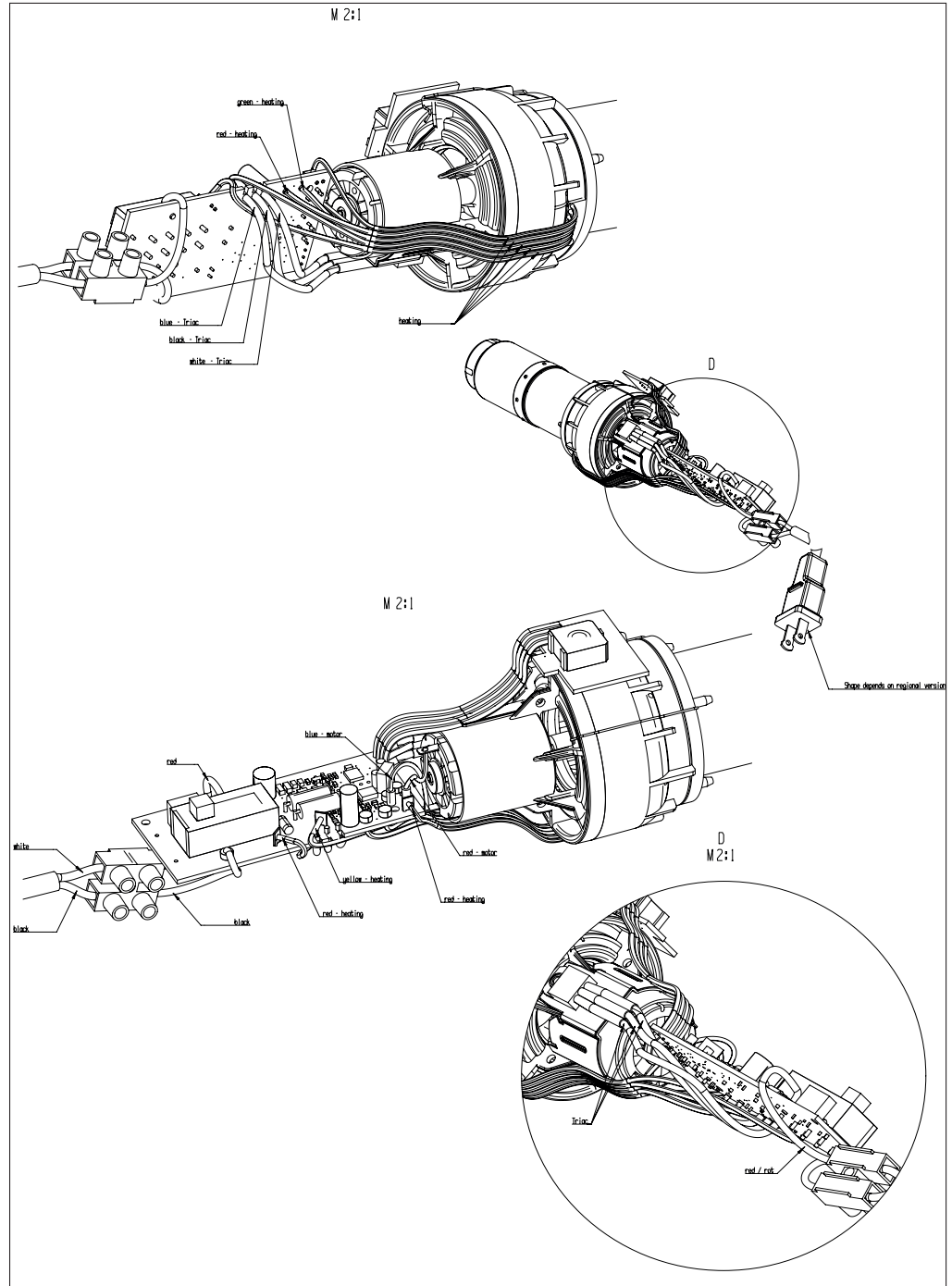
1	Window nozzle 75 mm	Prod No. 110048749	11	Reflector nozzle 14 mm	Prod No. 110048752
2	Window nozzle 50 mm	Prod No. 110048750	12	Reflector nozzle with sieve	Prod No. 110038724
3	Spreader nozzle 75 mm	Prod No. 110048749	13	Pinpoint reducer	Prod No. 110049668
4	Spreader nozzle 50 mm	Prod No. 110048643	14	Welding nozzle	Prod No. 110048648
5	Reflector nozzle 39 mm	Prod No. 110048645	15	Plastic welding rod rigid PVC	Prod. No. 110048754
6	Lap Welding Nozzle 20 mm	Prod No. 110048649	16	Plastic welding rod HDPE	Prod. No. 110048753
7	Round nozzle 14mm	Prod No. 110048647	17	Plastic welding rod PP	Prod. No. 110048757
8	Silicone seam roller	Prod No. 110049584	18	Plastic welding rod ABS	Prod. No. 110048756
9	Round nozzle 9mm	Prod No. 110048646	19	Thermo flex welding rod	Prod. No. 110049675
10	Reflector nozzle 9 mm	Prod No. 110048646	20	Case	Prod No. 110036731

Spare Parts List HG 2220 E



	Pos.	Prod. No.
<b>HG 2220 E, Type 3517</b>		
Spare Part Housing Set HG 2220 E US	1	110050675
Spare Part Protection Tube HG 2220 US	2	110040785
Spare Part Dust Particle Filter HG 2220 E US	3	110040786
Spare Part Fine Dust Particle Filter HG 2220 E US	4	110040787
Spare Part Power Cord HG 2220 US/TW	5	110024050
Spare Part Electronic Unit HG 2220 E US	6	110050678
Spare Part Motor Unit HG 2220 US	7	110041659
Spare Part Heating Element HG 2220 US	8	110050680

Wiring Diagram HG 2220 E



### Limited Warranty

STEINEL warranties its hot air tools, if properly operated and maintained, and used under normal conditions, for a period of one (1) year from the date of purchase. Warranty does not apply to wearable items such as heating elements which require periodic replacement. Specifically EXCLUDED from warranty are tools that have been subject to abuse, tools that have been opened or repaired by anyone other than STEINEL, tools that have been modified in any way or mounted onto machinery/equipment, and tools that have been put into continuous operation. These are hand held power tools and are intended for use as such. Any other use voids STEINEL's warranty.

### Warranty and Repair Procedures

In the event of product failure, please call STEINEL customer service directly at (800) 852-4343. We will attempt to troubleshoot the difficulty via phone. If warranty work or other repair appears necessary, we will issue an RGA# and we will supply you with a shipping address (postage paid by the customer), with the RGA# clearly marked, and accompanied by a brief description of the difficulty as well as your original dated sales receipt phone number and return address.

When received, STEINEL will diagnose the problem and determine if it is covered under warranty. If we determine that it is covered by warranty, we will repair or replace the defective tool, at our option, and return it to the customer (postage paid by STEINEL). If we determine that the tool is not defective and/or that it is not covered by warranty, we will contact the customer to discuss options prior to performing any repair work not covered under warranty. All non-warranty repair work is billed at standard rates and will be quoted prior to repair.

### Consequential Damages

The company shall not be liable for any incidental or consequential damages arising from the use of the Product by the Purchaser, the breach of any warranties, the failure to deliver, delay in delivery, delivery in non-conforming condition, or for any other breach of contract or duty between the Company and the Purchaser. Some states do not allow the exclusion or limitation of incidental or consequential damages, so the above limitation or exclusion may not apply to you.

### Disclaimers of warranties

The warranties contained herein are expressly in lieu of any other expressed or implied warranties, or any other obligation on the part of the Company. Any implied warranty of merchantability or fitness for a particular purpose shall expire one (1) year after the date the product is purchased by the original end-user Purchaser. Any models, drawings, plans, specifications, affirmations of fact, promises, or other communications by the Company with reference to the performance of the product are solely for the convenience of the Purchaser and shall not in any way modify the expressed warranties and disclaimers set forth herein. The Purchaser acknowledges it is purchasing the Product solely on the basis of the commitments of the Company as expressly set forth herein. No agents or other parties are authorized to make any warranties on behalf of the Company or to assume for the Company any other liability in connection with the Product. Some states do not allow limitations on how long an implied warranty lasts, so the above limitation may not apply to you.

### Limitation of actions

Any action resulting from the breach of any warranty contained herein by the Company must be commenced within one (1) year after the cause of action accrues. In no event shall the Company's total liability for any or all breaches of any warranty exceed the actual purchase price of the Product.

### Other rights

This warranty gives you specific legal rights, and you may also have other rights which vary from state to state.

#### Steinel America Inc.

9051 Lyndale Avenue South  
Bloomington, MN 55420  
Tel.: 952-888-5950  
Fax: 952-888-5132  
Toll free: 800-852-4343  
Tech Support: service@steinel.net  
E-mail: sales@steinel.net  
Visit our website: www.steinel.net

**FUNCTIONAL**  
**12 month**  
**WARRANTY**

## CONSIGNES DE SÉCURITÉ IMPORTANTES

### LISEZ CES INSTRUCTIONS

**AVERTISSEMENT UL :** lisez ces instructions avant toute utilisation. Pour réduire les risques d'incendie ou de chocs électriques, n'exposez pas cet outil à la pluie ou à l'humidité. Entrez-le à l'intérieur. Double isolation. Pour toute réparation, utilisez exclusivement des pièces de rechange identiques aux pièces d'origine. Lors de l'utilisation d'outils électriques, observez toujours les consignes de sécurité de base afin de réduire le risque d'incendie, d'électrocution et de blessures. Ce pistolet à air chaud fonctionne à une température de 1300 °F (env. 704 °C) sans aucune indication visuelle de température (pas de flamme). Ne laissez jamais le pistolet sans surveillance. Sinon, risque d'incendie. Le filet de chaleur au niveau de la buse de sortie brûle la chair. Ne mettez pas le pistolet à air chaud en marche avec la main devant la buse. **NE L'UTILISEZ PAS À PROXIMITÉ DE LIQUIDES INFLAMMABLES. NE L'UTILISEZ PAS POUR CE QUI SUIT :** ● Réchauffer les moteurs à gaz ● Réchauffer les batteries de voitures ● Dégivrer l'équipement de réfrigérateur.

**AVERTISSEMENT :** certaines poussières générées par les travaux de ponçage, sciage, meulage, perçage et autres activités de construction contiennent des produits chimiques connus (par l'état de Californie) pour causer le cancer, des malformations congénitales ou des lésions de l'appareil reproducteur. Quelques exemples de ces produits chimiques :

- Plomb provenant de peintures à base de plomb
- Silice cristalline provenant de briques et de ciment et d'autres produits de maçonnerie et
- Arsenic et chrome provenant de bois traité chimiquement

Le risque présenté par l'exposition à ces produits varie en fonction de la fréquence de ce type de travail. Pour réduire l'exposition à ces produits chimiques : travaillez dans un endroit bien aéré et utilisez des équipements de sécurité agréés tels que masques antipoussières spécialement conçus pour filtrer les particules microscopiques.

### AVERTISSEMENT !

Cet outil est capable de produire des températures pouvant atteindre 1300 °F (env. 704 °C) de chaleur sans flamme au niveau de la buse. **TOUJOURS :**

- Dirigez la chaleur loin de vous et des autres.
- Évitez l'inflammation de matériaux combustibles sur ou près de la pièce à travailler.
- Évitez le blocage des orifices d'aération et des buses.
- Gardez à portée de main un extincteur complètement chargé.
- Laissez le temps à la buse et aux embouts de refroidir à la température ambiante avant de les ranger.

### Précautions

1. **AVERTISSEMENT :** les zones cachées comme par exemple derrière les murs, les plafonds, les planchers, les panneaux de soffite et les autres panneaux peuvent contenir des matériaux combustibles susceptibles d'être enflammés par le pistolet à air chaud lorsqu'on travaille dans ces environnements. L'inflammation de ces matériaux peut ne pas être d'emblée apparente et pourrait avoir pour conséquence des dommages matériels et des blessures. N'utilisez pas l'outil si vous avez des doutes quant à ce risque. Lorsque vous travaillez dans ces environnements, maintenez le pistolet à air chaud en mouvement vers l'arrière et vers l'avant. Le fait de s'attarder ou de marquer un temps d'arrêt en un point donné peut provoquer l'inflammation du panneau ou du matériau situé derrière celui-ci.
2. Ce pistolet à air chaud peut produire au niveau de sa buse une chaleur sans flamme dont la température peut atteindre 1300 °F (704 °C). Ne dirigez pas le flux d'air vers les vêtements, les cheveux ou une quelconque partie du corps. Ne l'utilisez pas comme sèche-cheveux.
3. N'utilisez pas à proximité de liquides inflammables ou dans un environnement explosif (fumées, gaz ou poussières). Éliminez les matériaux ou débris susceptibles de s'enflammer sur la surface de travail.
4. Tenez toujours l'outil par le boîtier en plastique. Laissez la buse métallique refroidir pendant environ 20 minutes avant de pouvoir la toucher. Ne touchez pas la buse ou les embouts avant qu'elle/ils n'ai(en)t refroidi.

5. Ne rangez pas l'outil tant que la buse n'a pas refroidi à la température ambiante. Pendant son refroidissement, placez l'outil dans une zone dégagée dépourvue de tout matériau inflammable.
6. Ne coupez pas le flux d'air en plaçant la buse trop près de la pièce à travailler. Maintenez propres les ouvertures d'aération et empêchez leur obstruction.
7. Placez l'outil sur une surface plane lorsque vous ne le tenez pas en main. Placez le câble secteur dans une position qui ne le fera pas basculer.
8. Ne laissez pas l'outil sans surveillance lorsqu'il est en train de fonctionner ou de refroidir. Sinon, risque d'incendie.
9. Gardez à portée de main un extincteur complètement chargé.
10. Ne dirigez pas le flux d'air directement sur du verre.
11. Protégez les matériaux situés autour de la zone chauffée pour éviter des dommages ou un incendie.
12. Utilisez uniquement avec une tension de 120 V CA.
13. N'utilisez pas l'outil dans un environnement humide.
14. Tenez l'outil hors de portée des enfants. Cet outil n'est pas un jouet et doit être utilisé avec précaution.
15. N'utilisez pas dans la salle de bain ou sur l'eau.
16. Portez des lunettes de sécurité pendant l'utilisation de cet outil.
17. Il est recommandé de porter des gants de cuir pendant l'utilisation d'un pistolet à air chaud.
18. Débranchez systématiquement le pistolet à air chaud après usage.
19. **AVERTISSEMENT :** procédez avec une extrême prudence lors des travaux de décapage de peinture. Les déchets, résidus et vapeurs de peinture peuvent contenir du plomb, substance toxique. Toute peinture appliquée avant 1977 peut contenir du plomb, et la peinture appliquée à des logements avant 1950 contient probablement du plomb. Une fois qu'il est déposé sur les surfaces, un contact de la main à la bouche peut entraîner l'ingestion de plomb. L'exposition au plomb, même à doses très faibles, peut causer des lésions irréversibles du cerveau et du système nerveux ; les enfants à naître et les jeunes enfants sont particulièrement vulnérables. Avant de vous lancer dans un processus de retrait de peinture, renseignez-vous afin de savoir si la peinture que vous êtes en train de décapage contient du plomb. Cette démarche peut être effectuée par votre service de santé local ou par un professionnel utilisant un système d'analyse de la peinture pour vérifier le contenu de plomb de la peinture à décapage. **LA PEINTURE À BASE DE PLOMB DOIT UNIQUEMENT ÊTRE RETIRÉE PAR UN PROFESSIONNEL ET NE DOIT PAS ÊTRE RETIRÉE EN UTILISANT UN PISTOLET À AIR CHAUD.**
20. Faites en sorte que la poussière, les débris ou toute autre contamination n'entrent pas dans l'admission d'air du pistolet à air chaud. Ils pourraient s'enflammer ou causer des dommages au niveau de l'outil.

Les personnes retirant des matériaux doivent observer ces instructions.

1. Emmenez la pièce à travailler à l'extérieur. Si les circonstances ne le permettent pas, maintenez la zone de travail bien ventilée. Ouvrez les fenêtres et placez un ventilateur dans l'une d'elles. Veillez à ce que le ventilateur évacue l'air vers l'extérieur.
2. Retirez ou couvrez tous les tapis, les carpettes, les meubles, les vêtements, les ustensiles de cuisine et les conduites d'air.
3. Placez des pièces de tissu de protection dans la zone de travail pour récupérer les résidus. Portez des vêtements protecteurs tels qu'une chemise de travail supplémentaire ou une combinaison et un couvre-chef.
4. Ne travaillez que dans une seule pièce à la fois. Les meubles doivent être retirés ou placés au centre de la pièce et couverts. Les zones de travail doivent être isolées du reste de la résidence en calfeutrant les entrées avec des toiles de protection.
5. Les enfants, les femmes enceintes ou potentiellement enceintes et les mères qui allaitent ne doivent pas séjourner dans la zone de travail jusqu'à ce que le travail soit terminé et que tout le nettoyage soit effectué.
6. Portez un masque respiratoire simple (poussières) ou double (poussières et vapeurs) agréé par l'OSHA (Occupational Safety and Health Administration), le NIOSH (National Institute of Safety and Health) ou le bureau des mines américain. Ces masques et filtres remplaçables sont en vente dans la plupart des quincailleries. Assurez-vous que le masque tient bien. La barbe et les cheveux peuvent empêcher une bonne étanchéité à l'air. Changez les filtres régulièrement. **LES MASQUES JETABLES EN PAPIER N'OFFRENT PAS UNE PROTECTION SUFFISANTE.**


7. Faites preuve de précaution lorsque vous vous servez du pistolet à air chaud. Gardez le pistolet à air chaud toujours en mouvement, en effet une chaleur excessive peut dégager des vapeurs susceptibles d'être inhalées par l'opérateur.
8. Gardez les aliments et boissons à l'écart de la zone de travail. Lavez-vous les mains, les bras et le visage, puis rincez-vous la bouche avant de boire ou manger. Ne fumez pas ou ne mâchez pas de tabac ou de chewing-gum sur le lieu de travail.
9. Évacuez tous les résidus retirés et la poussière en passant la serpillière sur les sols. Utilisez un chiffon humide pour nettoyer tous les murs, seuils et toute autre surface sur laquelle adhère(nt) des résidus ou de la poussière. **NÉ BALAYEZ PAS, N'ESSUYEZ PAS À SEC ET N'ASPIREZ PAS.** Utilisez un détergent à haute teneur en phosphate ou du phosphate trisodique (TSP) pour laver et nettoyer les lieux de travail.
10. À la fin de chaque séance de travail, placez les résidus et débris dans un sac en plastique double, fermez-le avec un ruban ou une attache et mettez-le au rebut correctement.
11. Retirez les vêtements de protection et les chaussures de travail dans la zone de travail afin d'éviter de transporter de la poussière dans le reste du logement. Lavez les vêtements de travail séparément. Essayez les chaussures avec un chiffon humide et lavez ce chiffon avec les vêtements de travail. Lavez-vous les cheveux et le corps avec de l'eau et du savon.

## CONSERVEZ CES INSTRUCTIONS

### Merci

Merci d'avoir acheté un pistolet à air chaud STEINEL. Cet outil peut être utilisé afin d'effectuer une large gamme de tâches en toute sécurité et en toute fiabilité, comme le brasage, le soudage de PVC, le mode-lage, le séchage, l'emmanchement, le retrait de peinture, etc. Tous les outils STEINEL sont fabriqués selon les normes les plus sévères et sont soumis à un processus strict de contrôle de la qualité. Utilisé correctement, ce pistolet à air chaud vous donnera durablement satisfaction.

### Outils à double isolation

Les outils portant la mention « Double isolation » sont équipés d'une fiche à deux broches. Ces outils disposent d'un système d'isolation spécial répondant aux normes applicables de Underwriter's Laboratories Inc. . Ils ne nécessitent pas de mise à la terre. Les outils à « double isolation », comme celui-ci, ont des cordons à deux broches et peuvent utiliser une rallonge soit à deux, soit à trois broches.

Cet appareil est doté d'une fiche polarisée (une broche est plus large que l'autre). Afin de réduire les risques de chocs électriques, cette fiche ne peut être branchée sur une prise polarisée que dans un sens. Si la fiche ne peut pas être insérée totalement dans la prise, l'inverser. Si elle ne peut toujours pas être insérée, contactez un électricien qualifié. Ne modifiez en aucune manière la fiche.

### Rallonges

Plus la distance entre l'outil et la prise secteur augmente, plus la section des rallonges doit être élevée. L'utilisation de rallonges de dimensions inadaptées peut provoquer une grave chute de tension ainsi qu'une perte de puissance. Protégez la rallonge contre les détériorations. Tenez les rallonges à l'écart de toute chaleur excessive, des arêtes vives, de la vapeur ou des zones humides. Réparez ou remplacez les rallonges endommagées avant toute utilisation.

Longueur de la rallonge	Dimension du fil
40 pieds (12 m)	16
85 pieds (25 m)	14
100 pieds (30 m)	12
170 pieds (51 m)	10
270 pieds (82 m)	8
400 pieds (122 m)	6
650 pieds (198 m)	4

### Conversion °C/°F

°C	= °F
100	212
200	392
300	572
400	752
500	932
600	1112
700	1292

### Conversion °F/°C

°F	= °C
100	38
200	93
300	149
400	204
500	260
600	316
700	371
800	427
900	482
1000	538
1100	593
1200	649

### Pour votre sécurité (HG 2620 E / HG 2220 E)

**Une petite quantité de fumée peut être produite lors de la première utilisation de l'outil. Cette fumée est engendrée par les liants libérés par le film isolant du corps de chauffe lors de la première utilisation de l'outil. Laissez reposer l'outil sur sa surface d'appui afin que la fumée se dégage rapidement. La zone dans laquelle vous travaillez doit être bien aérée lorsque vous utilisez l'outil pour la première fois. Toute fumée sortant de l'outil n'est pas nocive !**

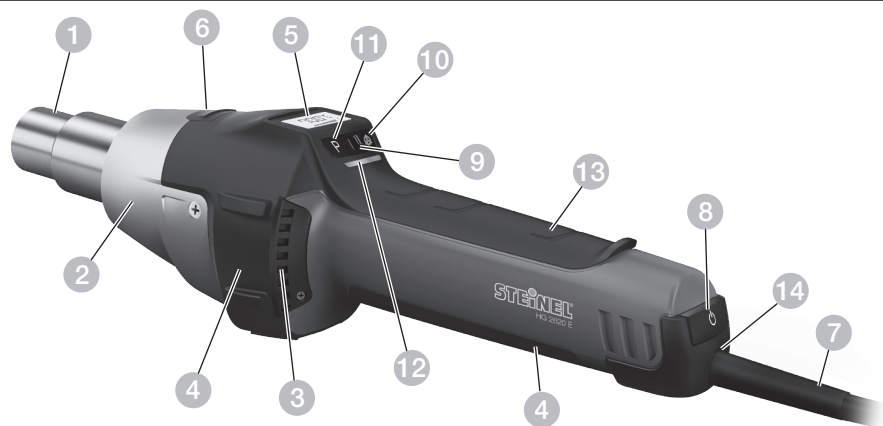
#### Témoin d'affichage de la chaleur résiduelle (HG 2620 E)

Le témoin d'affichage de la chaleur résiduelle sert d'alarme visuelle pour éviter toute blessure due à un contact avec la sortie chaude de la buse et clignote tant que la température de la sortie de la buse n'a pas baissé en dessous de 140 degrés F à température ambiante. Il commence à s'allumer seulement si l'outil a été utilisé pendant 90 secondes et fonctionne également lorsque le pistolet à air chaud est débranché. Aucun témoin d'affichage ne s'allume si l'outil a été mis en marche moins de 90 secondes. La responsabilité revient toujours à l'utilisateur et la prudence est toujours recommandée lorsque l'on utilise des pistolets à air chaud.

#### Les pistolets à air chaud sont protégés contre la surcharge :

Le coupe-circuit thermique éteint complètement l'outil en cas de surcharge.

## HG 2620 E



## Caractéristiques de l'outil HG 2620 E

- |   |  |
|---|--|
| 1 Buse de sortie en acier inoxydable  | 8 Bouton MARCHE/ARRÊT                                      |
| 2 Manchon de protection amovible  | 9 Manette (pour régler le débit d'air et la température)   |
| 3 Entrée d'air avec filtre à micropoussières                                    | 10 Bouton pour le mode débit d'air                         |
| 4 Revêtement souple anti-dérapant pour une pose en toute sécurité de l'appareil | 11 Bouton de sélection du programme et de mémorisation     |
| 5 Affichage à cristaux liquides   | 12 Témoin d'affichage de la chaleur résiduelle             |
| 6 Capuchon amovible pour monter le scanner de détection thermique HG Scan PRO   | 13 Poignée souple pour une utilisation agréable de l'outil |
| 7 Câble secteur gainé de caoutchouc résistant                                   | 14 Câble secteur interchangeable                           |

## Description de l'outil - Fonctionnement

**À noter :** la distance à respecter par rapport à l'objet sur lequel vous travaillez dépend du matériau et de la méthode de travail recherchée. Commencez toujours par tester le flux d'air et la température sur une pièce test ! L'utilisation des buses accessoires emboîtables (voir la page des accessoires sur la couverture) permet de contrôler le flux d'air chaud avec un maximum de précision. **Faites preuve de prudence lorsque vous changez des buses chaudes !** Lorsque vous utilisez l'outil à air chaud dans la position de repos, assurez-vous qu'il se trouve sur une surface stable, non glissante et propre.

## 1. Fonctionnement

L'outil s'allume et s'éteint en appuyant sur le bouton MARCHE/ARRÊT (8) situé au dos de la poignée. La manette (9) est utilisée pour commander la température, le débit d'air ou la vitesse du ventilateur.

## 2. Réglage de la température

La température peut être modulée en continu sur une gamme de 120 °F à 1300 °F sur le panneau de contrôle à affichage à cristaux liquides en utilisant la manette. La température effective est mesurée à la sortie de la buse d'air chaud et indiquée à l'affichage. La manette (9) est utilisée comme bouton d'entrée à fonction moins/plus.

Une brève pression de la manette « +/- » augmente ou réduit la température cible par pas de 10°. Une pression prolongée de la manette accélère le processus de réglage de la température. Une fois que la température a été réglée, l'outil a besoin de quelques secondes pour atteindre la température (en fonction de la vitesse/du flux d'air). La température réglée s'affiche pendant 3 secondes sur l'écran d'affichage. L'écran affiche ensuite la température effective actuelle. Le symbole « °C/°F » continue de clignoter jusqu'à ce que la température sélectionnée soit atteinte.

Si vous voulez modifier le réglage, il vous suffit d'appuyer à nouveau sur la manette pour augmenter ou réduire la température. Après avoir été éteint, le pistolet à air chaud demeure sur le dernier réglage.

## 3. Réglage du débit d'air

Pour modifier le débit d'air, appuyez tout d'abord sur le bouton « Débit d'air » (10) ; le symbole représentant un ventilateur clignote. Utilisez maintenant la manette pour régler le débit d'air. Le mode de réglage du débit d'air disparaît automatiquement si le débit d'air n'a pas été modifié dans les 5 secondes. Il suffit de réappuyer sur le bouton du débit d'air après avoir réglé le débit d'air pour quitter immédiatement le mode de réglage du débit d'air. Il est possible de régler le débit d'air entre, au minimum, 2 cfm et, au maximum, 13 cfm.

## Mesure de la température sur la pièce à travailler

Nous recommandons d'utiliser le scanner de détection thermique STEINEL HG Scan PRO (réf. 110033508) pour mesurer la température sur la pièce à travailler.

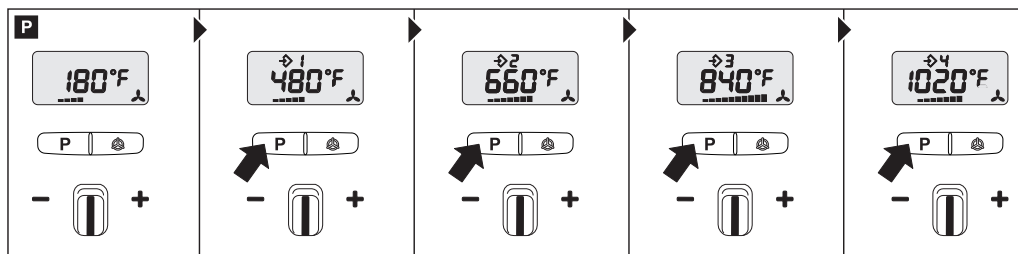


### Mode de programmation [P]

Quatre programmes sont réglés en usine pour les types de travaux les plus communs. Appuyez sur le bouton « P » pour le mode de programmation. Le chiffre 1 qui s'affiche correspond au programme n° 1. Il suffit de continuer à appuyer sur le bouton de programme pour accéder aux programmes 2 à 4. Si vous appuyez de nouveau sur le bouton, vous ramenez l'outil au mode de fonctionnement normal.

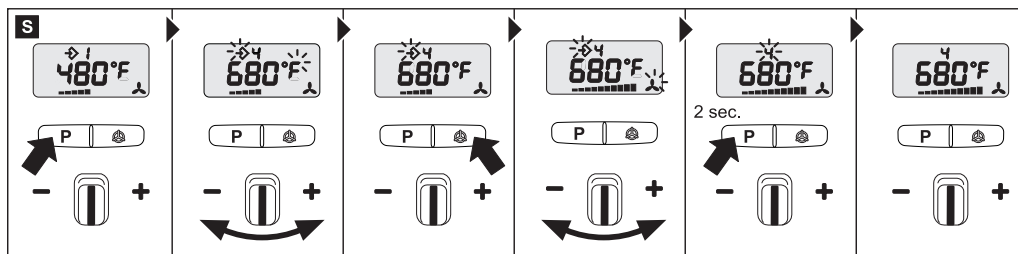
#### Programmes pré-réglés

Programme	Température °F (°C)	Air cfm
1	480 °F (250 °C)	7 cfm
2	660 °F (350 °C)	9 cfm
3	840 °F (450 °C)	11 cfm
4	1020 °F (550 °C)	11 cfm

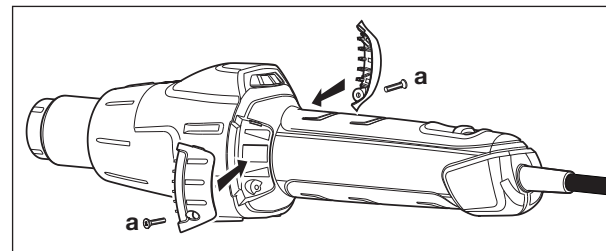


### Fonction mémoire [S]

Les valeurs sélectionnées pour les quatre programmes peuvent être modifiées et mémorisées à tout moment. Pour ce faire, appuyez tout d'abord sur le bouton de programme « P » (1) jusqu'à ce que le programme que vous désirez modifier s'affiche. Réglez le débit d'air et la température choisis. Le symbole de la mémoire clignote sur l'écran LCD afin d'indiquer que le programme utilisateur sélectionné a été modifié. Appuyez sur le bouton de sélection des programmes et maintenez-le enfoncé afin de mémoriser ce réglage dans le programme utilisateur sélectionné. Le symbole de la mémoire continue de clignoter pendant env. 2 secondes. Les réglages saisis sont mémorisés dès que le symbole de la mémoire reste allumé en permanence. Pour revenir au fonctionnement normal, appuyez sur le bouton de programme jusqu'à ce que le symbole du programme disparaisse de l'affichage.

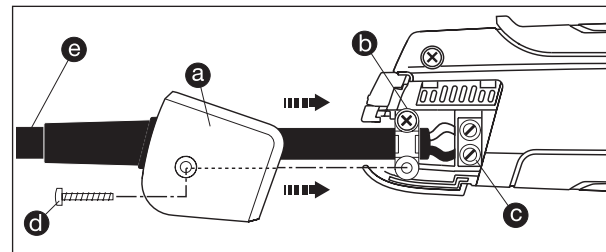


## Maintenance



**Filtre à micropoussières (3)**  
Le modèle HG 2620 E est équipé d'un filtre à micropoussières intégré (3). Pour le nettoyer (à l'air comprimé), desserrez les vis (a), retirez le capuchon et enlevez le filtre.

## Réparation



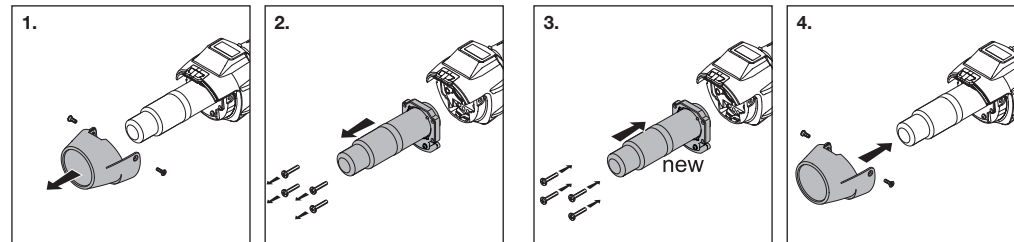
**Remplacement du câble secteur (14)**  
**Important ! Débranchez l'appareil de l'alimentation en courant. Seulement des électriciens agréés ayant reçu une formation adéquate complète sont autorisés à effectuer les réparations électriques.**

Il est possible de remplacer facilement le câble secteur endommagé sans avoir à ouvrir le carter de l'appareil.

1. Desserrez la vis (d), puis retirez le capuchon (a).
2. Dévissez les serre-câbles (b).
3. Dégagez les borniers de raccordement réseau (c).
4. Retirez le câble (e).
5. Introduisez un câble neuf et serrez-le. Procédez dans le sens inverse (1. Serrez à bloc les borniers de raccordement réseau, etc.).

## Changer l'élément chauffant

Il est possible de remplacer en quelques secondes le corps de chauffe prêt à l'emploi du modèle HG 2620 E.



**Important ! Débranchez l'appareil de l'alimentation en courant.**

1. Desserrez les vis du manchon de protection, puis retirez-le (fig. 1).
2. Desserrez les 4 vis à l'extrémité de la buse de sortie d'air chaud et enlevez le corps de chauffe.
3. Remplacez le corps de chauffe par un corps de chauffe neuf, puis vissez le corps de chauffe à l'emplacement prévu (fig. 3).
4. Resserrez à bloc les vis du manchon de protection (fig. 4).

## Autres fonctions

### Protection contre le redémarrage

La protection contre le redémarrage empêche que le pistolet à air chaud se remette en marche après une coupure de l'alimentation électrique. Le pistolet à air chaud n'est prêt à fonctionner qu'après l'avoir mis en marche en appuyant sur le bouton MARCHE/ARRÊT **3**.

### Fonction « LOC »

Le modèle HG 2620 E est équipé de la fonction LOC (Lockable Override Control) pour éviter tout réglage effectué par inadvertance des réglages sélectionnés. Pour savoir comment régler la fonction « LOC », veuillez contacter notre service après-vente au **+1-888-298-8298**.

## Caractéristiques techniques HG 2620 E

Tension	120 V, 60 Hz
Puissance	1750 W max.
Température	variable en continu de 120 à 1300 °F (de 50 à 700 °C)
Débit d'air	variable en continu de 2 à 13 cfm
Pression d'air	3000 Pa
Ø de la buse fournie avec l'outil	30 mm, en utilisant des buses professionnelles
Durée de vie du moteur	env. 10 000 heures
Durée de vie du corps de chauffe	env. 800 heures
Témoin d'affichage de la chaleur résiduelle	oui
Câble secteur	en caoutchouc grande résistance, à double isolation
Coupe-circuit thermique	oui
Niveau de pression acoustique des émissions	≤ 70dB (A)
Valeur totale des vibrations	≤ 2,5 m/s <sup>2</sup> / K = 0,08 m/s <sup>2</sup>
Poids sans câble secteur	0,84 kg

Sous réserve de modifications techniques

## Applications du modèle HG 2620 E

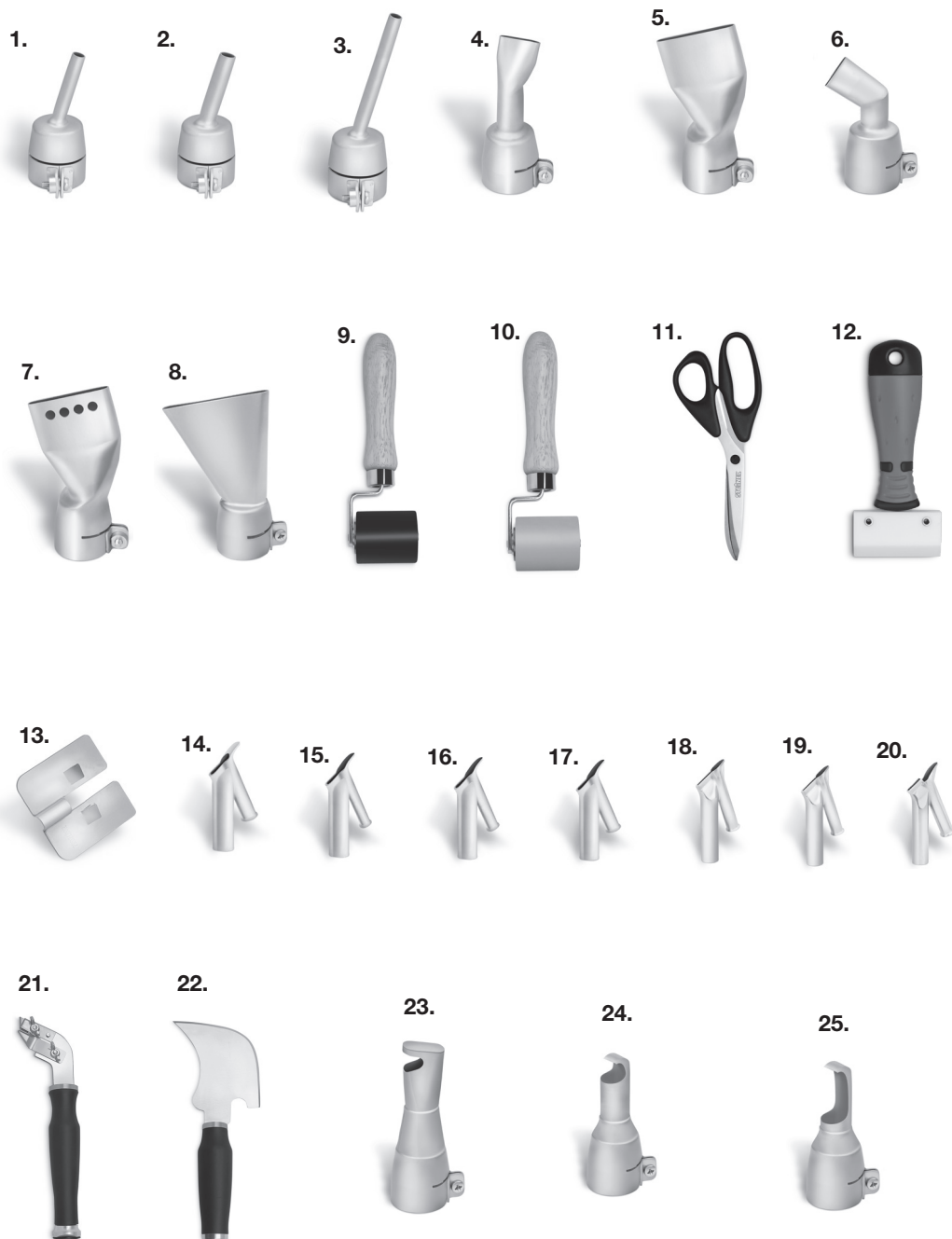
Voici quelques-unes des applications pour lesquelles vous pouvez utiliser les pistolets à air chaud STEINEL. Cette sélection n'est en aucun cas exhaustive : il est évident que vous pourrez immédiatement songer à d'autres exemples.

- Soudage du bitume.
- Soudage des films plastiques et des bâches.
- Soudage des revêtements de sol en PVC et du linoléum.
- Traitement de tous les thermoplastiques durs dans la construction de cuves et avec des matières plastiques.
- Thermoformage des thermoplastiques.
- Séchage des surfaces humides.
- Activation et retrait des colles classiques et des colles thermofusibles.
- Processus de séchage et de chauffage de tous types.

Types de matières plastiques :		
Matériau	Types d'application	Caractéristiques distinctives
<b>PVC rigide</b>	Tuyaux, raccords, plaques, profilés de construction, pièces techniques moulées, etc. Température de soudage de 550 à 650 °F (de 290 à 345 °C)	<b>Test d'inflammabilité</b> : se carbonise dans la flamme, s'éteint de lui-même <b>Odeur de la fumée</b> : piquante, odeur d'acide chlorhydrique <b>Test de chute</b> : bris
<b>PVC plastifié</b>	Revêtements de sol, papiers peints, tuyaux flexibles, feuilles, outils, etc. Température de soudage de 550 à 650 °F (de 290 à 345 °C)	<b>Test d'inflammabilité</b> : flamme vert jaune fuligineuse <b>Odeur de la fumée</b> : piquante, odeur d'acide chlorhydrique <b>Test de chute</b> : sans bruit
<b>PE plastifié (LDPE)</b> Polyéthylène	Articles ménagers et électroniques, jouets, bouteilles, etc. Température de soudage de 450 à 550 °F (de 230 à 290 °C)	<b>Test d'inflammabilité</b> : flamme jaune, brillante, les gouttes continuent à brûler <b>Odeur de la fumée</b> : odeur de bougie en train de s'éteindre <b>Test de chute</b> : mat
<b>PE rigide (HDPE)</b> Polyéthylène	Cuves, corbeilles, bidons, matériaux d'isolation, tubes, puits de cave, récipients de transport, poubelles, etc. Température de soudage de 550 à 650 °F (de 290 à 345 °C)	<b>Test d'inflammabilité</b> : flamme jaune, brillante, les gouttes continuent à brûler <b>Odeur de la fumée</b> : odeur de bougie en train de s'éteindre <b>Test de chute</b> : bris
<b>PP</b> Polypropylène	Tuyaux d'évacuation HT, chaises en plastique, emballages, pièces de voitures, boîtiers d'appareils, pièces techniques moulées, coffrets à batterie, etc. Température de soudage de 450 à 550 °F (de 230 à 290 °C)	<b>Test d'inflammabilité</b> : flamme claire à cœur bleu, les gouttes continuent à brûler <b>Odeur de la fumée</b> : piquante (odeur de paraffine) <b>Test de chute</b> : bris
<b>ABS</b>	Composants de voitures, boîtiers d'équipement, valises Température de soudage de 625 à 725 °F (de 330 à 385 °C)	<b>Test d'inflammabilité</b> : fumée noire floconneuse <b>Odeur de la fumée</b> : douceâtre <b>Test de chute</b> : bris

## Accessoires du modèle HG 2620 E

Votre revendeur tient à votre disposition une large gamme d'accessoires.

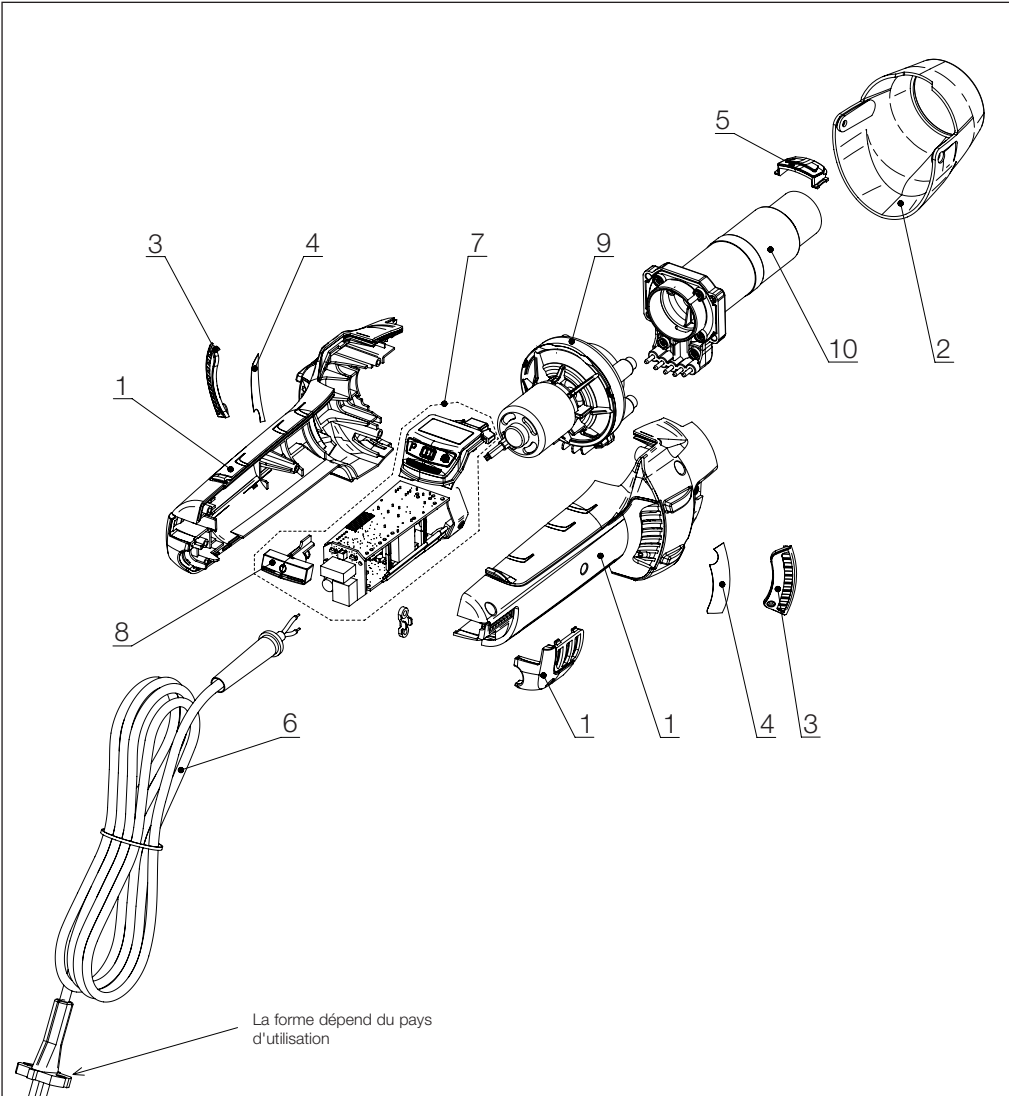


## Accessoires du modèle HG 2620 E



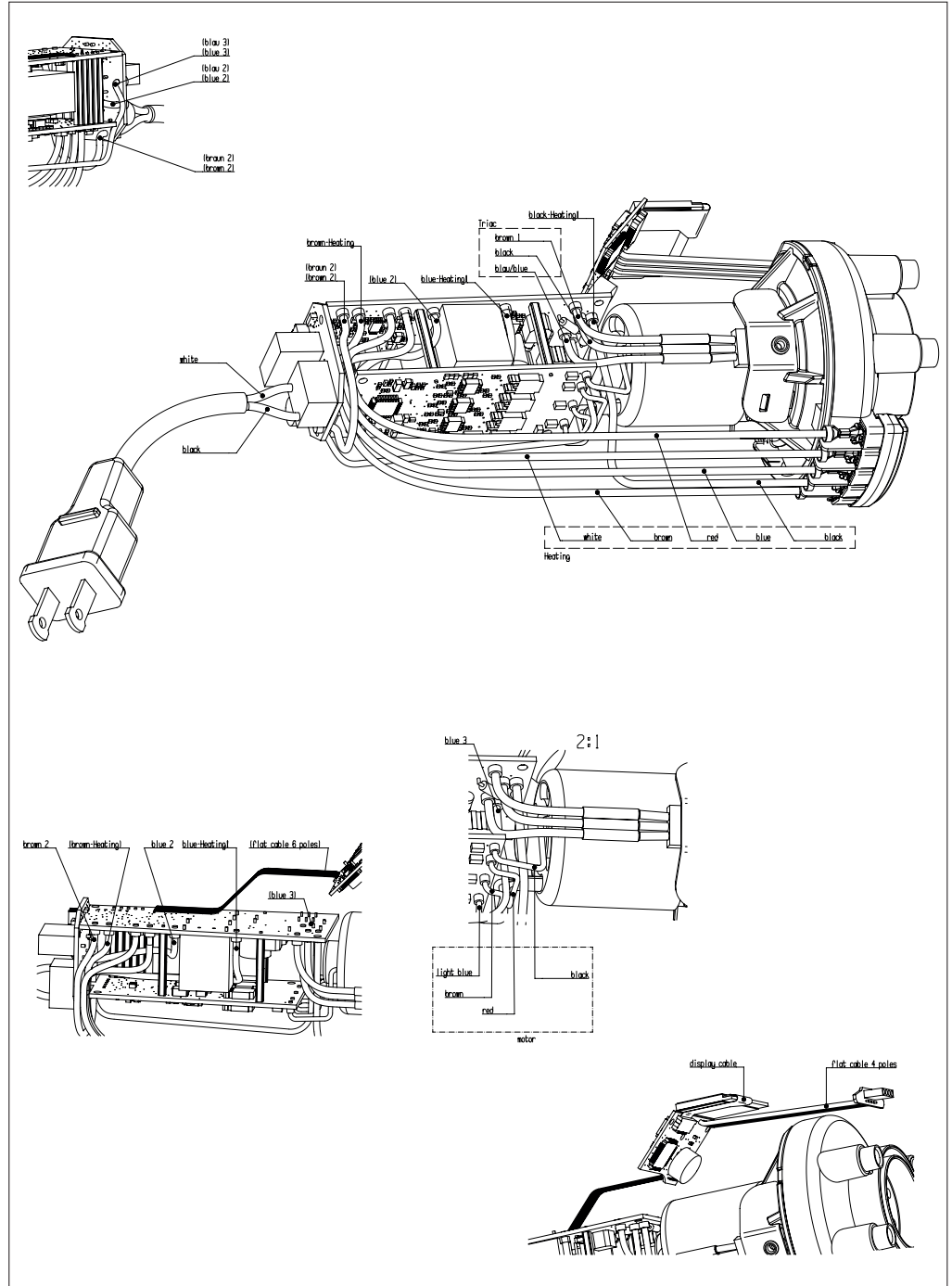
1	Buse ronde, 5 mm	Réf. 110048652	19	Patin de soudure rapide, 4 mm, avec fente d'air étroite	Réf. 110039076
2	Buse ronde, 10 mm	Réf. 110048653	20	Patin de soudure rapide, 5 mm, avec fente d'air étroite	Réf. 110039166
3	Buse ronde allongée, 5 mm	Réf. 110038668	21	Varlope	Réf. 110038478
4	Buse plate coudée, 20 x 2 mm Buse plate coudée, 20 x 2 mm, droite	Réf. 110049713 Réf. 107082800	22	Couteau à quart-de-lune	Réf. 110038479
5	Buse plate coudée, 40 x 2 mm	Réf. 110049712	23	Buse réflectrice de brasage	Réf. 110039169
6	Buse plate coudée, 30 x 2 mm	Réf. 110039176	24	Buse réflectrice, 20 mm	Réf. 110039167
7	Buse plate coudée, 40 x 2 mm, perforée	Réf. 110038670	25	Buse réflectrice, 35 mm	Réf. 110039168
8	Buse plate pour le bitume, 60 x 2 mm	Réf. 110038674	26	Buse réflectrice à tamis, 35 x 20 mm	Réf. 110038726
9	Rouleau presseur caoutchouc, 50 mm	Réf. 110038455	27	Buse réflectrice à tamis, 50 x 35 mm	Réf. 110038725
10	Rouleau presseur silicone, 35 mm	Réf. 110031646	28	Buse réflectrice à coque	Réf. 110039170
11	Ciseaux pour bâches	Réf. 110038728	29	HG Scan PRO	Réf. 110033508
12	Kehlfix	Réf. 110039165	30	Baguette à souder en plastique dur PVC	Réf. 110048754
13	Lisseur	Réf. 110038477	31	Baguette à souder en plastique HDPE	Réf. 110048753
14	Buse à souder	Réf. 110048747	32	Baguette à souder en plastique PP	Réf. 110048757
15	Patin de soudure rapide, 3 mm	Réf. 110038331	33	Baguette à souder en plastique ABS	Réf. 110048756
16	Patin de soudure rapide, 4 mm	Réf. 110038332	34	Baguette à souder Thermoflex	Réf. 110049675
17	Patin de soudure rapide, 5 mm	Réf. 110038333			
18	Patin de soudure rapide, 3 mm, avec fente d'air étroite	Réf. 110038676			

Liste des pièces de rechange du modèle HG 2620 E

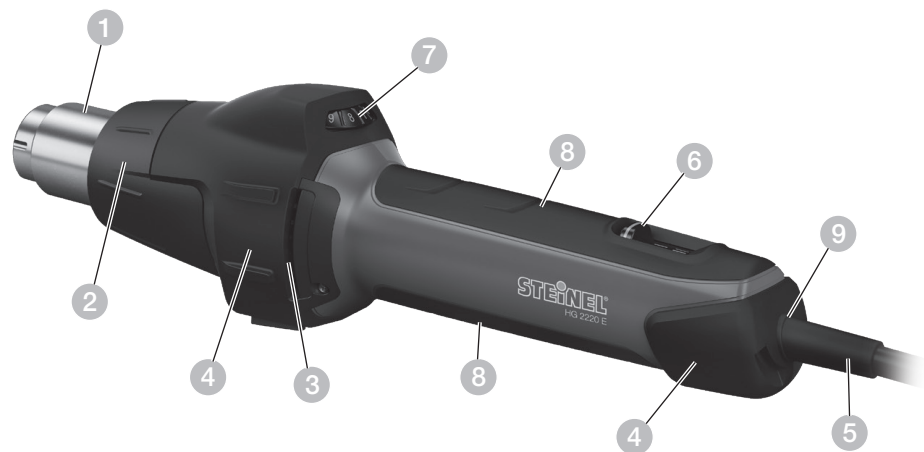


	Poste	Réf.
<b>HG 2620 E, type 3518</b>		
Kit boîtier de recharge HG 2620 E US	1	110050676
Manchon de protection de recharge HG 2620 US	2	110040719
Filtre à poussières de recharge HG 2620	3	110050697
Non-tissé pour micropoussières de recharge HG 2620	4	110040800
Capuchon de recharge HG 2620 US	5	110040720
Câble secteur de recharge HG 2620 US	6	110025024
Module électronique de recharge HG 2620 US	7	110050698
Interrupteur de recharge HG 2620 US	8	110040804
Moteur de recharge HG 2620 US	9	110036756
Corps de chauffé de recharge HG 2620 US	10	110050702

Schéma de câblage du modèle HG 2620 E



## HG 2220 E



## Caractéristiques de l'outil HG 2220 E

- |   |   |
|---|---|
| 1 Buse de sortie en acier inoxydable  | 6 Interrupteur à plusieurs niveaux pour régler le débit d'air (2 niveaux) |
| 2 Manchon de protection amovible  | 7 Molette de réglage de la température                                    |
| 3 Entrée d'air avec filtre à micropoussières                                    | 8 Poignée souple pour une utilisation agréable de l'outil                 |
| 4 Revêtement souple anti-dérapant pour une pose en toute sécurité de l'appareil | 9 Câble secteur interchangeable   |

## Description de l'outil - Fonctionnement de l'outil HG 2220 E

À noter : la distance à respecter par rapport à l'objet sur lequel vous travaillez dépend du matériau et de la méthode de travail recherchée. Commencez toujours par tester le flux d'air et la température sur une pièce test ! L'utilisation des buses accessoires emboîtables (voir la page des accessoires sur la couverture) permet de contrôler le flux d'air chaud avec un maximum de précision. **Faites preuve de prudence lorsque vous changez des buses chaudes !** Lorsque vous utilisez l'outil à air chaud dans la position de repos, assurez-vous qu'il se trouve sur une surface stable, non glissante et propre.

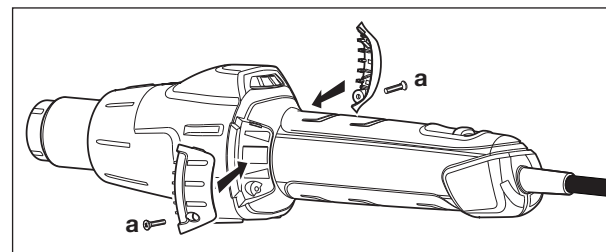
L'outil s'allume et s'éteint en appuyant sur l'interrupteur pour le débit d'air à deux niveaux 6. Aux réglages 1 et 2, la molette à 9 paliers permet de régler en continu la température. Il est possible d'enlever le manchon de protection.

Les mises sous tension génèrent des baisses de tension de courte durée. Des conditions de réseau défavorables peuvent endommager d'autres appareils. Il ne faut pas s'attendre à des interférences en cas d'impédances de secteur inférieures à 0,43 ohms.

## Maintenance

## Filtre à micropoussières 3

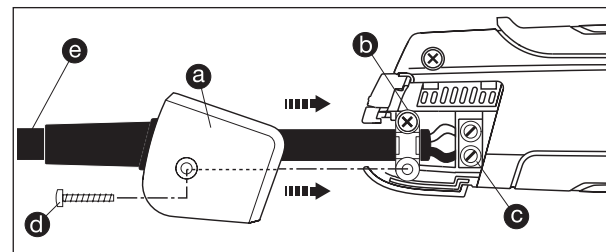
Le modèle HG 2220 E est équipé d'un filtre à micropoussières intégré 3. Pour le nettoyer (à l'air comprimé), desserrez les vis (a), retirez le capuchon et enlevez le filtre.



## Réparation

## Remplacement du câble secteur 14

**Important ! Débranchez l'appareil de l'alimentation en courant. Seulement des électriciens agréés ayant reçu une formation adéquate complète sont autorisés à effectuer les réparations électriques.**



Il est possible de remplacer facilement le câble secteur endommagé sans avoir à ouvrir le carter de l'appareil.

1. Desserrez la vis d, puis retirez le capuchon a.
2. Dévissez les serre-câbles b.
3. Dégagez les borniers de raccordement réseau c.
4. Retirez le câble e.
5. Introduisez un câble neuf et serrez-le. Procédez dans le sens inverse (1. Serrez à bloc les borniers de raccordement réseau, etc.).

## Caractéristiques techniques du modèle HG 2220 E

Tension	120 V, 60 Hz	
Puissance	1500 W	
Niveau	1	2
Taux de débit d'air	de 4 à 7 cfm	de 6 à 12 cfm
Température	de 120 à 1100 °F de 50 à 600 °C	de 120 à 1100 °F de 50 à 600 °C
Réglage de la température	par la molette à 9 paliers	
Câble secteur	en caoutchouc grande résistance, à double isolation	
Coupe-circuit thermique	oui	
Niveau de pression acoustique des émissions	≤ 70 dB (A)	
Valeur totale des vibrations	≤ 2,5 m/s <sup>2</sup> / K = 0,08 m/s <sup>2</sup>	
Poids sans câble secteur	0,610 kg	
Sous réserve de modifications techniques		

### Paramètres

Molette	Débit d'air <b>niveau 1</b> - faible débit		Débit d'air <b>niveau 2</b> - débit élevé	
	Température approx.		Température approx.	
1	176 °F (80 °C)		176 °F (80 °C)	
2	230 °F (110 °C)		230 °F (110 °C)	
3	374 °F (190 °C)		356 °F (180 °C)	
4	536 °F (280 °C)		500 °F (260 °C)	
5	680 °F (360 °C)		644 °F (340 °C)	
6	824 °F (440 °C)		788 °F (420 °C)	
7	932 °F (500 °C)		896 °F (480 °C)	
8	1058 °F (570 °C)		1040 °F (560 °C)	
9	1166 °F (630 °C)		1166 °F (630 °C)	

En fonction de la précision de réglage de la molette, les valeurs indicatives indiquées peuvent varier de +/- 68 °F de la température effectivement fournie.

## Applications HG 2220 E

### Gaines thermorétractables sur câbles :

Glissez la gaine thermorétractable sur la section que vous souhaitez isoler, puis chauffez à l'air chaud. La gaine rétrécit d'env. 50 % de son diamètre pour donner une liaison étanche. Le rétrécissement est particulièrement rapide et uniforme lorsqu'on utilise des buses réfléchissantes. Scellez et stabilisez des ruptures de câbles, isolez des joints brasés, regroupez des chemins de câbles, armez des blocs de sortie.

### Façonnage de PVC :

Des feuilles, des conduits ou des chaussures de ski peuvent être ramolli(e)s et façonné(e)s par la chaleur.

### Brasage :

Nettoyez d'abord les pièces métalliques que vous souhaitez assembler. Ensuite, en utilisant l'air chaud, chauffez le point que vous souhaitez braser et approchez le fil de brasage. Utilisez du fondant ou un fil de brasage à cœur de fondant pour éviter la formation d'oxyde.

### Soudage et assemblage du plastique :

Toutes les parties soudées doivent être fabriquées dans le même matériau plastique. Utilisez une baguette à souder appropriée.

### Assemblage de feuilles de plastique :

Faire chevaucher et souder les feuilles. Utilisez une buse à fente pour diriger l'air chaud sous le chevauchement, puis comprimez les deux feuilles l'une contre l'autre avec un rouleau presseur. Également possible : réparation de bâches en PVC grâce à un soudage par recouvrement au moyen d'une buse à fente.

### Façonnage :

Il est possible d'adapter parfaitement la forme des chaussures de ski ou de sport pour un ajustement parfait.

### Soudage de feuilles :

Faire chevaucher et souder les feuilles. Utilisez une buse à fente pour diriger l'air chaud sous le chevauchement, puis comprimez les deux feuilles l'une contre l'autre avec un rouleau presseur. Également possible : réparation de bâches en PVC grâce à un soudage par recouvrement au moyen d'une buse à fente.

- Thermoformage de tous les thermoplastiques.
- Soudage des films plastiques et des bâches.
- Soudage et assemblage de matières plastiques.
- Activation et retrait des colles classiques et des colles thermofusibles.
- Dégivrage de serrures, de canalisations d'eau gelées et de marches verglacées.
- Chauffage de films de pelliculage des véhicules.
- Application de chants.
- Thermoformage des thermoplastiques.

Types de matières plastiques :		
Matériau	Types d'application	Caractéristiques distinctives
<b>PVC rigide</b>	Tuyaux, raccords, plaques, profilés de construction, pièces techniques moulées, etc. Température de soudage de 550 à 650 °F (de 290 à 345 °C)	<b>Test d'inflammabilité</b> : se carbonise dans la flamme, s'éteint de lui-même <b>Odeur de la fumée</b> : piquante, odeur d'acide chlorhydrique <b>Test de chute</b> : bris
<b>PVC plastifié</b>	Revêtements de sol, papiers peints, tuyaux flexibles, feuilles, outils, etc. Température de soudage de 550 à 650 °F (de 290 à 345 °C)	<b>Test d'inflammabilité</b> : flamme vert jaune fuligineuse <b>Odeur de la fumée</b> : piquante, odeur d'acide chlorhydrique <b>Test de chute</b> : sans bruit
<b>PE plastifié (LDPE)</b> Polyéthylène	Articles ménagers et électroniques, jouets, bouteilles, etc. Température de soudage de 450 à 550 °F (de 230 à 290 °C)	<b>Test d'inflammabilité</b> : flamme jaune, brillante, les gouttes continuent à brûler <b>Odeur de la fumée</b> : odeur de bougie en train de s'éteindre <b>Test de chute</b> : mat
<b>PE rigide (HDPE)</b> Polyéthylène	Cuves, corbeilles, bidons, matériaux d'isolation, tubes, puits de cave, récipients de transport, poubelles, etc. Température de soudage de 550 à 650 °F (de 290 à 345 °C)	<b>Test d'inflammabilité</b> : flamme jaune, brillante, les gouttes continuent à brûler <b>Odeur de la fumée</b> : odeur de bougie en train de s'éteindre <b>Test de chute</b> : bris
<b>PP</b> Polypropylène	Tuyaux d'évacuation HT, chaises en plastique, emballages, pièces de voitures, boîtiers d'appareils, pièces techniques moulées, coffrets à batterie, etc. Température de soudage de 450 à 550 °F (de 230 à 290 °C)	<b>Test d'inflammabilité</b> : flamme claire à cœur bleu, les gouttes continuent à brûler <b>Odeur de la fumée</b> : piquante (odeur de paraffine) <b>Test de chute</b> : bris
<b>ABS</b>	Composants de voitures, boîtiers d'équipement, valises Température de soudage de 625 à 725 °F (de 330 à 385 °C)	<b>Test d'inflammabilité</b> : fumée noire floconneuse <b>Odeur de la fumée</b> : douceâtre <b>Test de chute</b> : bris

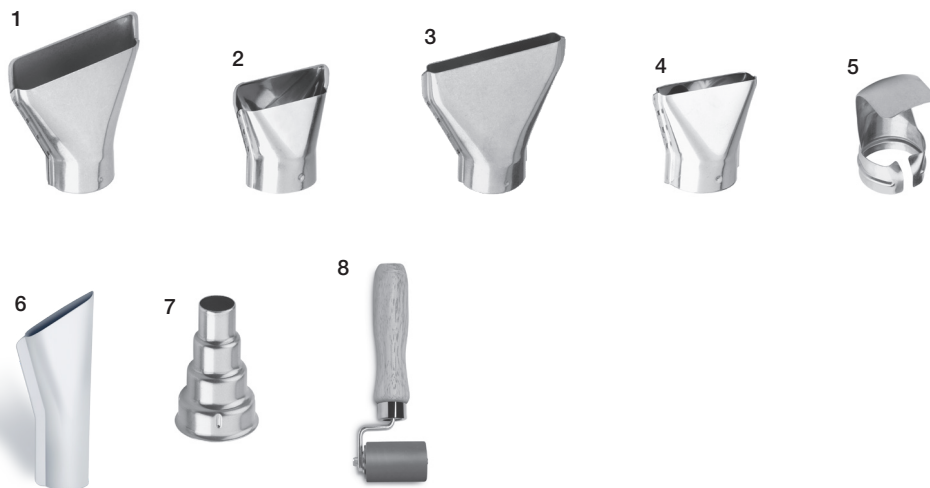


Accessoires spéciaux



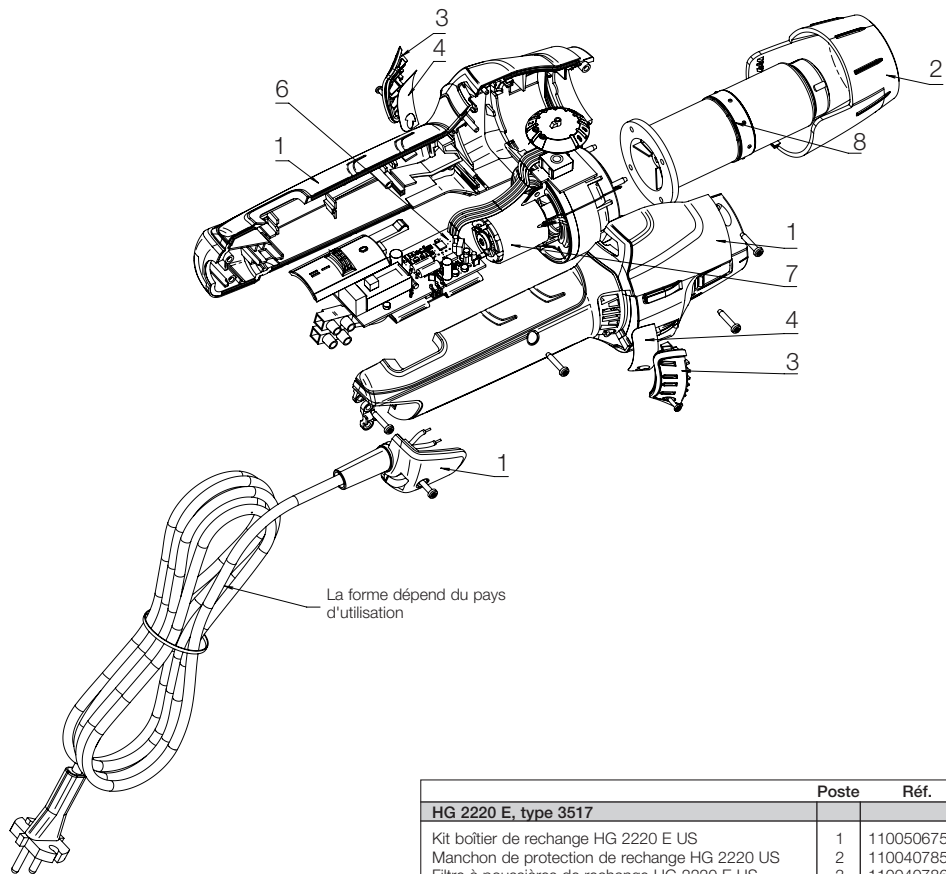
Accessoires du modèle HG 2220 E

Votre revendeur tient à votre disposition une large gamme d'accessoires.



1	Buse déflectrice, 75 mm	Réf. 110048749	11	Buse réflectrice, 14 mm	Réf. 110048752
2	Buse déflectrice, 50 mm	Réf. 110048750	12	Buse réflectrice à tamis	Réf. 110038724
3	Buse de surface large, 75 mm	Réf. 110048749	13	Buse de réduction de précision	Réf. 110049668
4	Buse de surface large, 50 mm	Réf. 110048643	14	Buse à souder	Réf. 110048648
5	Buse réflectrice, 39 mm	Réf. 110048645	15	Baguette à souder en plastique dur PVC	Réf. 110048754
6	Buse de soudage par recouvrement, 20 mm	Réf. 110048649	16	Baguette à souder en plastique HDPE	Réf. 110048753
7	Buse ronde, 14 mm	Réf. 110048647	17	Baguette à souder en plastique PP	Réf. 110048757
8	Rouleau presseur silicone	Réf. 110049584	18	Baguette à souder en plastique ABS	Réf. 110048756
9	Buse ronde, 9 mm	Réf. 110048646	19	Baguette à souder Thermoflex	Réf. 110049675
10	Buse réflectrice, 9 mm	Réf. 110048646	20	Mallette	Réf. 110036731

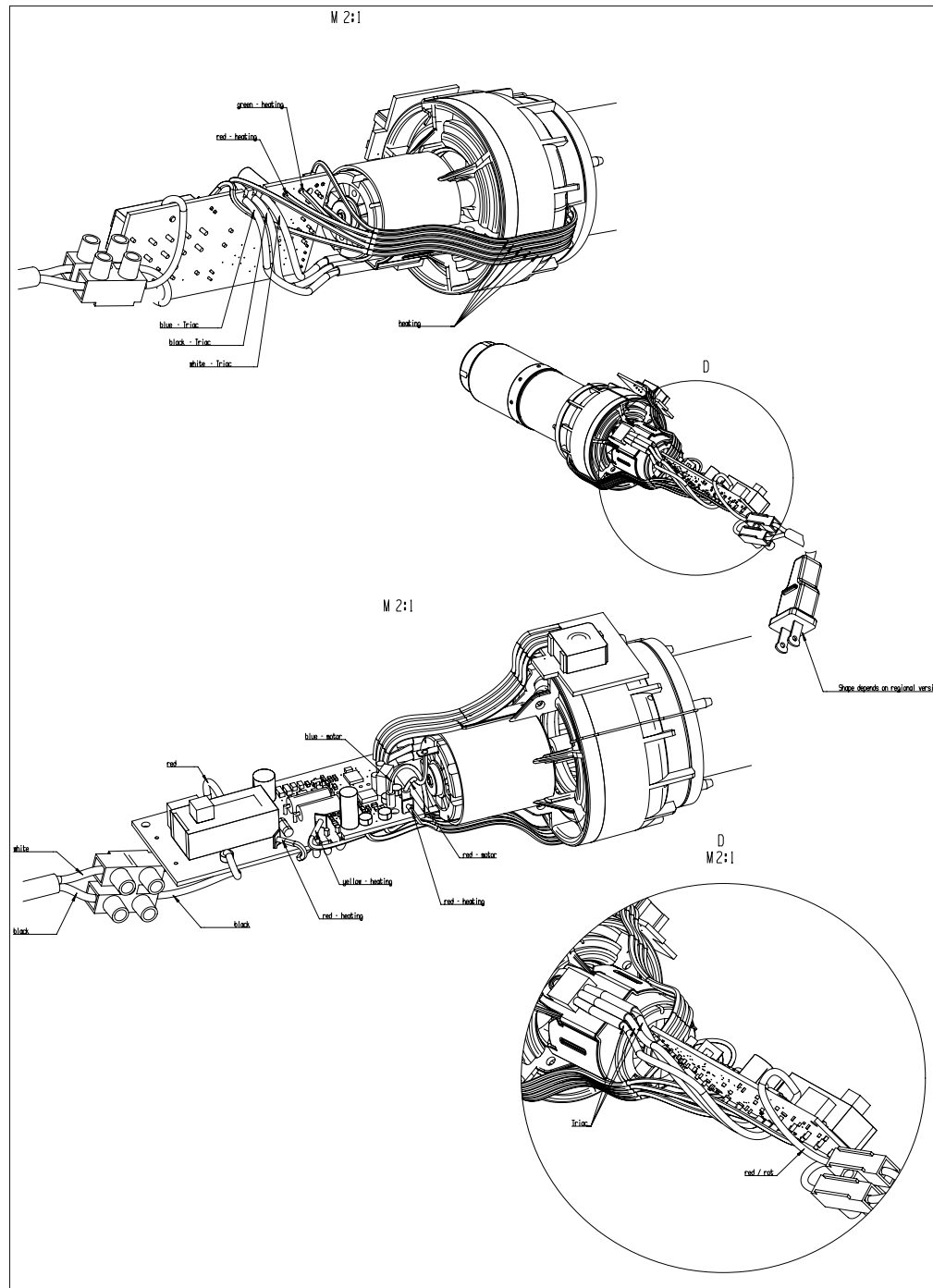
Liste des pièces de rechange du modèle HG 2220 E



La forme dépend du pays d'utilisation

	Poste	Réf.
<b>HG 2220 E, type 3517</b>		
Kit boîtier de rechange HG 2220 E US	1	110050675
Manchon de protection de rechange HG 2220 US	2	110040785
Filtre à poussières de rechange HG 2220 E US	3	110040786
Filtre à micropoussières de rechange HG 2220 E US	4	110040787
Câble secteur de rechange HG 2220 US/TW	5	110024050
Module électronique de rechange HG 2220 E US	6	110050678
Moteur de rechange HG 2220 US	7	110041659
Corps de chauffe de rechange HG 2220 US	8	110050680

Schéma de câblage du modèle HG 2220 E





## Garantie limitée

STEINEL garantit ses pistolets à air chaud, dès lors qu'ils sont correctement manipulés, entretenus et utilisés en conditions normales, pour une durée d'un (1) an à partir de la date d'achat. La garantie ne s'applique pas aux pièces d'usure telles que les corps de chauffe qui doivent être remplacés à intervalles réguliers. Sont spécifiquement EXCLUS de la garantie les outils qui ont été soumis à des abus, les outils qui ont été ouverts ou réparés par quelqu'un d'autre que STEINEL, les outils qui ont été modifiés de quelque manière que ce soit ou montés sur des machines/équipement et les outils qui ont été soumis à un fonctionnement continu. Il s'agit d'outils motorisés portatifs qui sont destinés à être utilisés comme tels. Toute autre utilisation annule la garantie de STEINEL.

### Procédures de garantie et de réparation

En cas de défaillance du produit, veuillez appeler le service clients STEINEL directement au +1-800-852-4343. Nous nous efforcerons de résoudre le problème par téléphone. Si un travail soumis à garantie ou une autre réparation apparaît nécessaire, nous émettrons un numéro d'autorisation de retour de marchandises et vous fournirons une adresse d'expédition (frais de port à la charge du client), avec le numéro d'autorisation de retour de marchandises clairement mentionné, et accompagné d'une brève description du problème ainsi que de votre reçu portant la date d'origine, de votre numéro de téléphone et adresse de retour.

Après la réception, STEINEL diagnostiquera le problème et déterminera s'il est couvert par la garantie. Si nous déterminons qu'il est couvert par la garantie, nous réparerons ou remplacerons l'outil défectueux, selon notre choix, et nous le retournerons au client (frais de port à la charge de STEINEL).

Si nous déterminons que l'outil n'est pas défectueux et/ou qu'il n'est pas couvert par la garantie, nous contacterons le client pour discuter de ses options avant d'effectuer tout travail de réparation non couvert par la garantie.

Tout travail de réparation non couvert par la garantie sera facturé aux tarifs standard et les prix seront indiqués avant la réparation.

### Dommages consécutifs

La société ne sera pas tenue responsable des dommages accessoires ou consécutifs résultant de l'utilisation du produit par l'acheteur, de la rupture de garanties, de l'impossibilité de livrer, du retard de livraison, de la livraison en état non conforme ou de toute autre rupture de contrat ou d'obligation entre la société et l'acheteur.

Certains états n'autorisent pas l'exclusion ou la limitation des dommages accessoires ou consécutifs, de sorte que la limitation ou exclusion ci-dessus peut ne pas s'appliquer à vous.

## Désistements de garanties

Les garanties énoncées dans les présentes tiennent expressément lieu de toutes autres garanties expresse ou implicites, ou de toute autre obligation de la part de la société. Toute garantie implicite de qualité marchande ou de conformité à un besoin particulier expirera un (1) an après l'achat du produit par l'acheteur utilisateur final d'origine. Les maquettes, croquis, plans, spécifications, affirmations de faits, promesses ou autres communications émanant de la société en référence aux performances du produit sont exclusivement destinés à la convenance de l'acheteur et ne modifieront en aucun cas les garanties et désistements exprès exposés dans les présentes. L'acheteur reconnaît acheter le produit sur la seule base des engagements de la société expressément exposés dans les présentes. Aucun agent ou aucune autre partie n'est autorisé(e) à accorder des garanties au nom de la société ou à assumer pour le compte de la société toute autre responsabilité en rapport avec le produit. Certains états n'autorisent pas les limitations de la durée d'une garantie impliquée, par conséquent la limitation ci-dessus peut ne pas s'appliquer à vous.

### Limitation des actions

Toute action en justice résultant de la violation de l'une des garanties énoncées dans les présentes par la société doit être intentée dans un délai d'un (1) an à compter de la survenance de la cause des poursuites. La responsabilité totale de la société pour une ou toutes les ruptures de garantie ne dépassera en aucun cas le prix d'achat effectif du produit.

### Autres droits

La présente garantie vous confère des droits légaux spécifiques auxquels d'autres droits peuvent venir s'ajouter en fonction de la législation propre à chaque état.

### Steinel America Inc.

9051 Lyndale Avenue South

Bloomington, MN 55420

Téléphone : +1-952-888-5950

Fax : +1-952-888-5132

Numéro vert : 800-852-4343

Support technique : service@steinel.net

E-mail : sales@steinel.net

Rendez-vous sur notre site Internet : www.steinel.net

**GARANTIE**

**12 mois**

**DE FONCTIONNEMENT**

## INSTRUCCIONES DE SEGURIDAD IMPORTANTES LEA ESTAS INSTRUCCIONES

**ADVERTENCIA UL:** Lea estas instrucciones antes del uso. Para reducir el peligro de incendios o descargas eléctricas, no se exponga a la lluvia o la humedad. Guárdese en el interior. Doble aislamiento. En casos de mantenimiento, úsense solo piezas de recambio idénticas. Las siguientes medidas de precaución las deberá tomar siempre que use herramientas eléctricas, para reducir el riesgo de incendios, descargas eléctricas y lesiones personales. Esta pistola de aire caliente funciona a una temperatura de 1300 °F sin indicador visual de temperatura (sin llama). No la deje nunca desatendida. De lo contrario, existe riesgo de incendio. El flujo de aire que sale por la boquilla quema la piel. No conecte la pistola de aire caliente nunca si tiene la mano delante de la boquilla. **NO LA UTILICE CERCA DE LÍQUIDOS COMBUSTIBLES. NO LA UTILICE PARA:** ● Calentar motores de gas ● Calentar baterías de coche ● Deshelar equipos de refrigeración.

**ADVERTENCIA:** El polvo creado por el lijado, aserrado, molado, o taladrado y por otras actividades de la construcción contiene componentes químicos conocidos (por el Estado de California) como provocadores de cáncer, defectos de nacimiento u otros daños sobre la reproducción. Algunos ejemplos de estas sustancias químicas son:

- el plomo de las pinturas a base de plomo,
- el polvo de sílice cristalino de los ladrillos, el cemento y otros materiales para la construcción, y
- el arsénico y el cromo de la madera químicamente tratada.

El riesgo por exposición varía según la frecuencia con que realice este tipo de trabajo. Para reducir la exposición a estos componentes químicos: trabaje en un lugar bien ventilado y utilice equipo de seguridad homologado, como las mascarillas antipolvo diseñadas para filtrar partículas microscópicas.

### ¡ADVERTENCIA!

Esta pistola es capaz de generar temperaturas de hasta 1300 °F (aprox. 704 °C) de calor sin llama en la boquilla. SIEMPRE:

- dirija el calor en dirección opuesta a usted u otras personas.
- evite la inflamación de los materiales combustibles en o junto a la pieza de trabajo.
- evite la obstrucción de las tomas de aire y las boquillas.
- tenga un extintor de incendios cargado a mano.
- deje enfriar la boquilla y el resto de accesorios a temperatura ambiente antes de guardarlos.

### Precauciones

1. **ADVERTENCIA:** Algunas zonas ocultas como aquellas detrás de paredes, techos, pisos, tableros de fondo y otros paneles pueden contener material inflamable que podría prender fuego con el calor de la pistola. La inflamación de dichos materiales puede no ser obvia de inmediato y podría causar daños materiales y lesiones personales. No utilice la pistola si no comprende bien este riesgo. Cuando trabaje en estas zonas, mantenga la pistola en constante movimiento hacia adelante y hacia atrás. Excesiva lentitud o la detención en un punto podría incendiar el panel o el material detrás.
2. Esta pistola es capaz de generar temperaturas de hasta 1300 °F (aprox. 704 °C) de calor sin llama en la boquilla. No dirija el flujo de aire hacia la ropa, el pelo u otras partes del cuerpo. No la utilice como secador de pelo.
3. No la utilice cerca de líquidos inflamables ni en ambientes explosivos (vapores, gases o polvo). Retire de la zona de trabajo cualquier material o suciedad que pudiera incendiarse.
4. Sujete la pistola siempre por la carcasa de plástico. La boquilla de metal necesita aprox. 20 minutos para enfriarse después de apagar la herramienta. No toque la boquilla ni el resto de los accesorios hasta que estén fríos.
5. No guarde la pistola hasta que la boquilla haya alcanzado la temperatura ambiente. Colóquela en una zona vacía lejos del material inflamable mientras se enfría.
6. No obstruya el caudal de aire acercando la boquilla demasiado a la pieza de trabajo. Mantenga las tomas de aire limpias y no las obstruya.
7. Deposite la pistola sobre una superficie plana si no la aguanta en la mano. Coloque el cable de modo que no pueda tropezar.

8. No deje la pistola desatendida mientras esté en funcionamiento o enfriándose. De lo contrario, existe riesgo de incendio.
9. Tenga siempre un extintor de incendios cargado a mano.
10. No dirija nunca el flujo de aire directamente hacia un cristal.
11. Proteja el material alrededor de la zona que recibe el calor para evitar daños o quemaduras.
12. Utilice solo una tensión de 120 V CA.
13. No utilice la pistola mojada.
14. No deje que la use ningún niño. No se trata de un juguete y debe manejarse con cuidado.
15. No utilice la pistola en el baño ni sobre el agua.
16. Utilice gafas de seguridad al trabajar con la pistola.
17. Es recomendable utilizar guantes de piel al trabajar con la pistola.
18. Desenchúfela siempre después de utilizarla.
19. **ADVERTENCIA:** Proceda con extremo cuidado al decapar. Las escamas, restos y vapores de la pintura pueden contener plomo, un material nocivo. Las pinturas anteriores a 1977 pueden contener plomo, y las pinturas aplicadas en casas anteriores a 1950 es probable que contengan plomo. Una vez depositado en la superficie, el contacto entre la mano y la boca puede provocar la ingestión de plomo. Incluso la exposición a bajos niveles de plomo puede causar daños irreversibles en el cerebro o el sistema nervioso; los niños pequeños y los niños nonatos son especialmente vulnerables. Antes de empezar un proceso de decapado, determine si la pintura contiene plomo. De esto puede hacerse cargo su departamento de salud local o un profesional con un analizador de pintura para averiguar la concentración de plomo en la pintura a quitar. **LA PINTURA A BASE DE PLOMO SOLO DEBERÍA SER DECAPADA POR UN PROFESIONAL Y NO DEBERÍA DECAPARSE CON UNA PISTOLA DE AIRE CALIENTE.**
20. No permita que entre polvo, suciedad u otro tipo de contaminación en la entrada de aire de la pistola. Podrían prender fuego o estropear la herramienta.

Las personas que retiren materiales deberían observar estas instrucciones.

1. Saque la pieza de trabajo al aire libre. Si esto no fuera posible, mantenga la zona de trabajo bien ventilada. Abra las ventanas e instale un extractor en una de ellas. Asegúrese de que el ventilador del extractor conduce el aire hacia fuera.
2. Saque de la habitación o cubra cualquier alfombra, alfombrilla, mueble, ropa, utensilios de cocina y conducto de aire.
3. Tienda lonas protectoras en la zona de trabajo para atrapar cualquier residuo. Póngase ropa protectora como, por ejemplo, una segunda camiseta, monos de trabajo o gorras.
4. No trabaje en más de un lugar a la vez. Retire el mobiliario o colóquelo cubierto en el centro de la habitación. Aísla las zonas de trabajo del resto del local sellando las puertas con lonas.
5. No permita el acceso a la zona de trabajo a los niños, mujeres embarazadas o posiblemente embarazadas ni a las madres lactantes hasta que se haya hecho el trabajo y la limpieza.
6. Utilice una mascarilla antipolvo o una mascarilla con doble filtro (polvo y vapores) homologada por la Administración de Salud y Seguridad Ocupacional (OSHA), el Instituto Nacional de Salud y Seguridad Ocupacional (NIOSH), o el Departamento de Minas de EE.UU. Estas mascarillas y los filtros de repuesto pueden adquirirse en las ferreterías bien surtidas. Cérchese de que la mascarilla tiene el tamaño adecuado. La barba y el vello facial pueden impedir que la mascarilla quede bien ajustada. Cambie los filtros con frecuencia.  
**LAS MASCARILLAS DE PAPEL DESECHABLES NO SON APROPIADAS.**
7. Tenga precaución al usar la pistola de aire caliente. Mantenga la pistola en movimiento, ya que un exceso de calor generará vapores que pueden ser inhalados por el operario.
8. Mantenga la comida y la bebida fuera de la zona de trabajo. Lávese las manos, los brazos y la cara, y enjuáguese la boca antes de comer o beber. No fume ni mastique chicle o tabaco dentro de la zona de trabajo.
9. Limpie todos los residuos y el polvo del suelo con una fregona húmeda. Limpie las paredes, umbrales de puertas, repisas de ventanas y otras superficies que contengan suciedad o polvo con un paño húmedo. **NO BARRA NI ASPIRE EL POLVO EN SECO.** Limpie y friegue las zonas sucias con un detergente de fosfato o fosfato trisódico.
10. Al final de cualquier sesión de trabajo, almacene los residuos y suciedad en una bolsa de plástico doble, ciérrela con cinta adhesiva o alambre, y elimínela adecuadamente.
11. Quítese la ropa de protección y el calzado de trabajo dentro de la zona de trabajo para no llevar el polvo al resto del local. Lave la ropa utilizada aparte. Limpie el calzado con un trapo húmedo y lávelo este después con la ropa de trabajo. Lávese bien el pelo y el cuerpo con agua y jabón.


## GUARDE ESTAS INSTRUCCIONES

## Gracias

Gracias por elegir una pistola de aire caliente STEINEL. Esta herramienta puede emplearse para la realización segura y eficaz de una amplia gama de trabajos, inclusive para soldar, soldar PVC, moldear, secar, retraer, decapar pintura etc. Todas las herramientas STEINEL cumplen los más elevados requisitos y son sometidas a un riguroso proceso de control de la calidad.

Utilizada adecuadamente, esta pistola de aire caliente le causará satisfacción duradera.

## Herramientas de doble aislamiento

Las herramientas marcadas con las palabras "Doble aislamiento" van equipadas con un enchufe de dos clavijas. Estas herramientas disponen de un sistema de aislamiento especial que cumple los estándares UL aplicables . No requieren puesta a tierra. Herramientas de "Doble aislamiento" como esta disponen de cables de dos clavijas y pueden utilizar un cable de prolongación bien de dos o bien de tres clavijas.

Este aparato tiene un enchufe polarizado (una clavija es más ancha que la otra). Para reducir el riesgo de descargas eléctricas este enchufe está previsto para ser insertado de una sola manera en una toma polarizada. Si el enchufe no encaja bien en la toma, déle la vuelta. Si sigue sin encajar, consulte a un electricista cualificado. No modifique el enchufe de ninguna manera.

## Cables de prolongación

A medida que la distancia de la toma de alimentación vaya aumentando, se necesitarán cables de prolongación de mayor diámetro. El uso de cables de prolongación con diámetros de hilo inadecuados causará un serio bajón de voltaje y una pérdida de potencia. Proteja el cable de deterioro. Mantenga el cable alejado del calor excesivo, de cantos puntiagudos y áreas húmedas o mojadas. Repare o sustituya cables de prolongación deteriorados antes de usarlos.

Long. de cable de prol.	Tamaño de cable
40 pies	16
85 pies	14
100 pies	12
170 pies	10
270 pies	8
400 pies	6
650 pies	4

## Conversión °C a °F

°C	= °F
100	212
200	392
300	572
400	752
500	932
600	1112
700	1292

## Conversión °F a °C

°F	= °C
100	38
200	93
300	149
400	204
500	260
600	316
700	371
800	427
900	482
1000	538
1100	593
1200	649

## Para su seguridad (HG 2620 E / HG 2220 E)

**Al primer uso de la herramienta, podrá producirse un poco de humo. Este humo es producido por los aglutinantes despedidos por la capa aislante de la resistencia durante el primer uso. Para que el humo se esfume pronto, la pistola debería colocarse sobre su base. La zona de trabajo debería ventilarse bien al usar la pistola la primera vez. ¡El humo que sale de la pistola no es nocivo!**

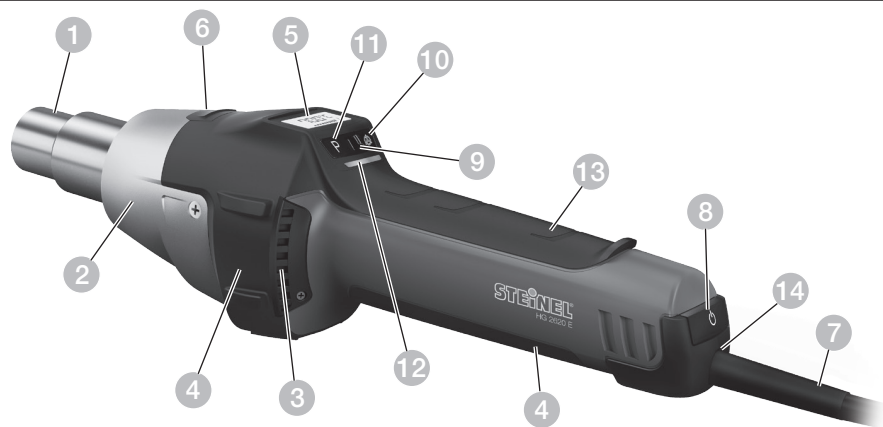
### Indicador de calor residual (HG 2620 E)

El indicador de calor residual sirve de aviso visual para prevenir lesiones por el contacto directo con la salida de la tobera caliente parpadeando hasta que la temperatura de la tobera ha caído por debajo de los 140 °F a temperatura ambiente. Empieza a funcionar una vez la pistola ha estado en uso durante 90 segundos y funciona también con la pistola desenchufada. El indicador no se encenderá si la pistola ha funcionado durante menos de 90 segundos. La responsabilidad correrá siempre a cargo del usuario, que deberá ir con cuidado cada vez que maneje pistolas de aire caliente.

### Estas pistolas de aire caliente están protegidas contra el sobrecalentamiento:

El termofusible desconecta la pistola por completo en caso de sobrecarga.

## HG 2620 E



## Funciones de herramienta HG 2620 E

- |   |  |
|---|--|
| 1 Tobera de expulsión de acero inoxidable                               | 8 Pulsador ON/OFF  |
| 2 Tubo de protección desmontable  | 9 Joystick (para regular el caudal de aire y la temperatura) |
| 3 Entrada de aire con filtro de polvo fino integrado                    | 10 Pulsador para el caudal de aire                           |
| 4 Revestimiento suave para un estacionamiento antideslizante            | 11 Selector de programa y pulsador de memoria                |
| 5 Visualizador LCD  | 12 Indicador de calor residual                               |
| 6 Caperuza extraíble para montar el detector de temperatura HG Scan PRO | 13 Empuñadura blanda para un trabajo más cómodo              |
| 7 Cable revestido de goma aislante resistente                           | 14 Cable de alimentación intercambiable                      |

## Descripción de la herramienta - funcionamiento

**Por favor, téngase en cuenta:** La distancia del objeto que está trabajando dependerá del material y el método previstos. ¡Pruebe siempre primero el caudal y la temperatura en una pieza de prueba! Utilizando las toberas acoplables complementarias (véase la página de accesorios en la cubierta), el caudal de aire caliente podrá regularse con suma precisión. **¡Tenga cuidado al cambiar las toberas calientes!** Cuando utilice la pistola de aire caliente como aparato estacionario, asegúrese de que la base de trabajo sea segura, que no resbale y que esté limpia.

## 1. Operación

La herramienta se enciende y apaga mediante el interruptor ON/OFF (8) al dorso de la empuñadura. El joystick (9) sirve para el control de la temperatura y el caudal de aire o bien la velocidad.

## 2. Ajuste de temperatura

La temperatura se puede regular sin escalas de 120 °F (49 °C) a 1300 °F (704 °C) vía el joystick en el panel de control con visualizador LCD. La temperatura real se mide en la tobera de salida de aire caliente y se indica en el visualizador. El joystick (9) sirve de botón regulador con función más/menos. La pulsación breve del joystick "+/-" aumenta o reduce el ajuste de la temperatura en intervalos de 10°. Manteniendo el joystick apretado se acelera el ajuste de la temperatura. Una vez ajustada la temperatura, la pistola necesita algunos segundos para alcanzar la temperatura (en función de la velocidad/el caudal de aire). La temperatura configurada aparece en la pantalla durante 3 segundos. Después, se indica la temperatura real actual. El símbolo "°C/°F" parpadea hasta que se ha alcanzado la temperatura requerida. Si quiere volver a regular la temperatura, pulse simplemente el joystick para aumentar o reducir el valor, respectivamente. Al desconectar el aparato, el último valor ajustado queda memorizado.

## 3. Regular el caudal de aire

Para modificar el caudal de aire, pulse primero el botón "Caudal de aire" (10); el símbolo del ventilador parpadea. Ahora utilice el joystick para ajustar el caudal de aire. La modalidad de configuración del caudal de aire se desactiva automáticamente dejando el caudal de aire inalterado 5 s. Pulsando el botón del caudal de aire de nuevo después de ajustarlo, se sale inmediatamente de la modalidad de configuración del caudal de aire. El caudal de aire varía entre un mín. de 2 pcm y un máx. de 13 pcm.

## Medición de temperatura en la pieza de trabajo

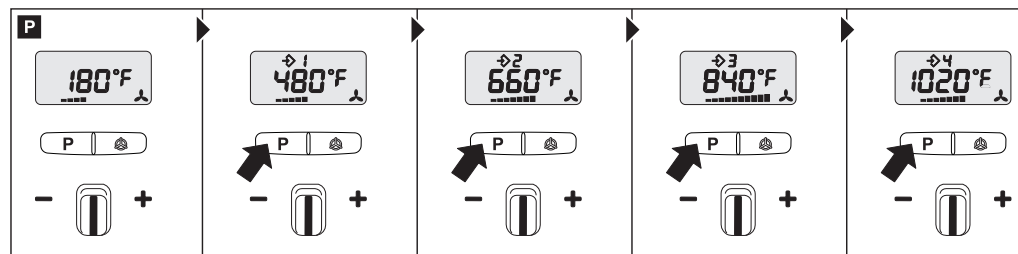
Recomendamos el detector de temperatura STEINEL HG Scan PRO (nº de art.: 110033508) para medir la temperatura en la pieza de trabajo.

**Modalidad de programación [P]**

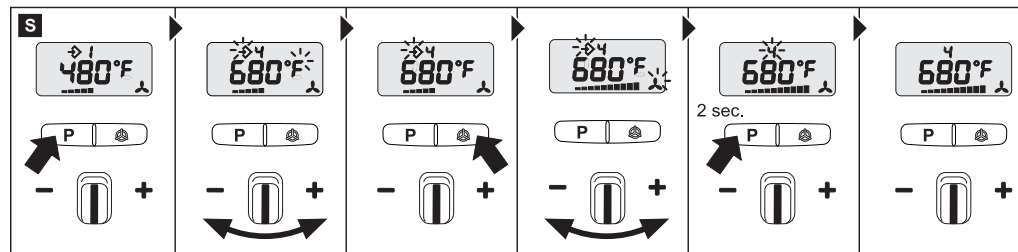
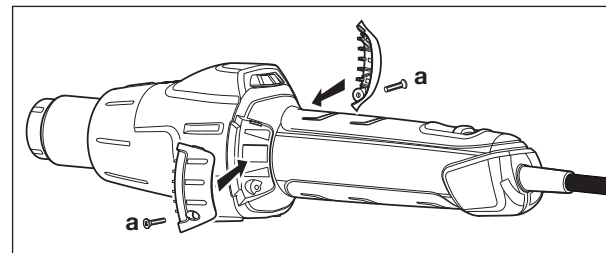
Cuatro programas para los trabajos más frecuentes están preconfigurados de fábrica. Pulse la tecla "P" para activar la modalidad de programación. Aparece la cifra 1 por el programa 1. Pulsando la tecla más veces, se accede a los programas 2-4. Pulsando otra vez la tecla, se regresa al modo de funcionamiento normal.

**Programas preconfigurados**

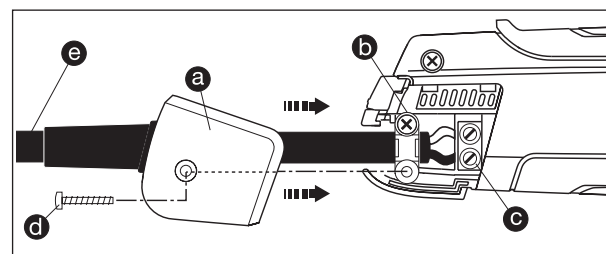
Programa	Temperatura °F (°C)	Caudal pcm
1	480 °F (250 °C)	7 pcm
2	660 °F (350 °C)	9 pcm
3	840 °F (450 °C)	11 pcm
4	1020 °F (550 °C)	11 pcm

**Función de memorización [S]**

Los valores de los cuatro programas se pueden modificar y memorizar en cualquier momento. Para ello, pulse primero la tecla de programas "P" hasta que aparezca el programa a modificar. Ajuste la temperatura y el caudal de aire deseados. El símbolo de memorización en el LCD parpadea para indicar que el programa de usuario seleccionado ha sido modificado. Para memorizar esta configuración en el programa de usuario seleccionado, manténgase presionado el selector de programa. El símbolo de memorización sigue parpadeando durante unos 2 s. Una vez encendido el símbolo de memorización constantemente, los valores introducidos se han memorizado en el programa. Para regresar al funcionamiento normal, pulse la tecla de programas hasta que el símbolo de los programas desaparezca del visualizador.

**Mantenimiento****Filtro de polvo fino 3**

La HG 2620 E lleva un filtro de polvo fino integrado 3. Para limpiarlo (con aire comprimido), suelte los tornillos (a), retire la cubierta y saque el filtro.

**Reparación****Cambiar el cable de alimentación 14**

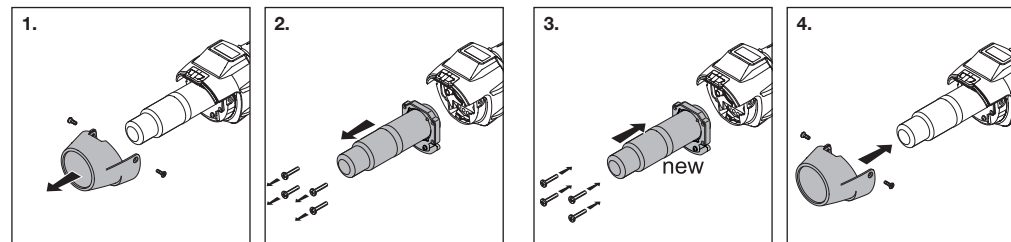
**¡Importante!** Desconecte el aparato de la fuente de alimentación. Reparaciones eléctricas solo las deberá ejecutar un electricista debidamente autorizado y cualificado.

Si el cable de alimentación se estropea, puede cambiarse fácilmente sin tener que abrir la carcasa.

1. Soltar el tornillo d) y retirar la tapa a).
2. Soltar la descarga de tracción b).
3. Soltar los bornes de conexión c).
4. Sacar el cable e).
5. Introducir nuevo cable y sujetarlo en orden inverso (1. Apretar bien los bornes de conexión etc.).

**Cambio de la resistencia**

La resistencia en la HG 2620 E puede reemplazarse en pocos segundos.



**¡Importante!** Desconecte el aparato de la fuente de alimentación.

1. Suelte los tornillos del tubo de protección y retire el tubo de protección (fig. 1).
2. Suelte 4 tornillos al final de la tobera de salida de aire caliente y separe la resistencia.
3. Reemplace la resistencia con una nueva y asegure bien la resistencia con los tornillos (fig. 3).
4. Apriete bien los tornillos del tubo de protección (fig. 4).

## Otras funciones

### Protección de reconexión

La protección de reconexión impide que la pistola de aire caliente vuelva a conectarse después de un apagón en la alimentación eléctrica. La pistola de aire caliente no volverá a estar a punto para operar hasta que no se haya pulsado el interruptor ON/OFF 3.

### Función LOC

Para evitar una alteración no intencionada de los ajustes hechos, la HG 2620 E dispone de una función de bloqueo anulador ("Lockable Override Control" - LOC). Para averiguar como activar la función LOC, sírvase ponerse en contacto con nuestro Servicio Técnico a través de **+1-888-298-8298**.

## Especificaciones técnicas HG 2620 E

Voltaje	120 V, 60 Hz
Potencia	1750 W máx.
Temperatura	120-1300 °F, 50 - 700°C continuamente variable
Caudal de aire	2-13 pcm, continuamente variable
Presión de aire	3000 Pa
Tobera incluida Ø	30 mm, usando toberas profesionales
Vida útil del motor	Aprox. 10.000 h
Vida útil de la resistencia	Aprox. 800 h
Indicador de calor residual	Sí
Cable de alimentación	Goma industrial, doble aislamiento
Termofusible	Sí
Nivel de emisión de presión sonora	≤ 70dB (A)
Valor total de vibración	≤ 2,5 m/s <sup>2</sup> / K = 0,08 m/s <sup>2</sup>
Peso sin cable de alimentación	0,84 kg

Salvo modificaciones técnicas

## Aplicaciones HG 2620 E

A continuación algunas de las posibles aplicaciones para las pistolas de aire caliente STEINEL. Esta selección no será limitativa, ni mucho menos, sin duda alguna a usted se le ocurrirán más ejemplos.

- Soldar asfalto
- Soldar láminas y lonas impermeables
- Soldar revestimientos de suelo de PVC y linóleo
- Trabajar materiales termoplásticos rígidos en estructuras de plástico y sistemas
- Moldear termoplásticos
- Secar superficies mojadas
- Activar y deshacer pegamentos y adhesivos termofusibles
- Procesos de secado y calentamiento de todo tipo

Tipos de plástico:		
Material	Tipos de aplicación	Características distintivas
<b>PVC rígido</b>	Tuberías, accesorios, placas, perfiles, componentes técnicos moldeados, etc. Temperatura de soldadura 550 - 650 °F (290 - 345 °C)	<b>Prueba de combustión:</b> carboniza en la llama y se apaga solo <b>Olor del humo:</b> repugnante, a ácido clorhídrico <b>Prueba de caída:</b> estrepitoso
<b>PVC plastificado</b>	Revestimientos para suelos, papeles pintados, mangueras, lonas, herramientas, etc. Temperatura de soldadura 550 - 650 °F (290 - 345 °C)	<b>Prueba de combustión:</b> humo, llama amarillenta-verdosa <b>Olor del humo:</b> repugnante, a ácido clorhídrico <b>Prueba de caída:</b> silencioso
<b>PE plastificado (LDPE)</b> Polietileno	Aparatos domésticos y electrónicos, juguetes, botellas, etc. Temperatura de soldadura 450 - 550 °F (230 - 290 °C)	<b>Prueba de combustión:</b> llama clara, amarilla, gotas siguen quemándose <b>Olor del humo:</b> similar a una vela apagada <b>Prueba de caída:</b> sordo
<b>PE duro (HDPE)</b> Polietileno	Bañeras, cestas, bidones, materiales aislantes, tuberías, ventilaciones de sótanos, contenedores de transporte, cubos de basura, etc. Temperatura de soldadura 550 - 650 °F (290 - 345 °C)	<b>Prueba de combustión:</b> llama clara, amarilla, gotas siguen quemándose <b>Olor del humo:</b> similar a una vela apagada <b>Prueba de caída:</b> estrepitoso
<b>PP</b> Polipropileno	Tuberías de drenaje HT, sillas de plástico, embalajes, componentes de coche, carcasas de equipos, molduras, cajas de baterías, etc. Temperatura de soldadura 450 - 550 °F (230 - 290 °C)	<b>Prueba de combustión:</b> llama clara con núcleo azul, gotas siguen quemándose <b>Olor del humo:</b> olor repugnante a queroseno <b>Prueba de caída:</b> estrepitoso
<b>ABS</b>	Componentes de coche, carcasas de equipos, maletas Temperatura de soldadura 625 - 725 °F (330 - 385 °C)	<b>Prueba de combustión:</b> humo negro, blando <b>Olor del humo:</b> dulzón <b>Prueba de caída:</b> estrepitoso

## Accesorios HG 2620 E

En su tienda usted podrá elegir entre una amplia gama de accesorios.

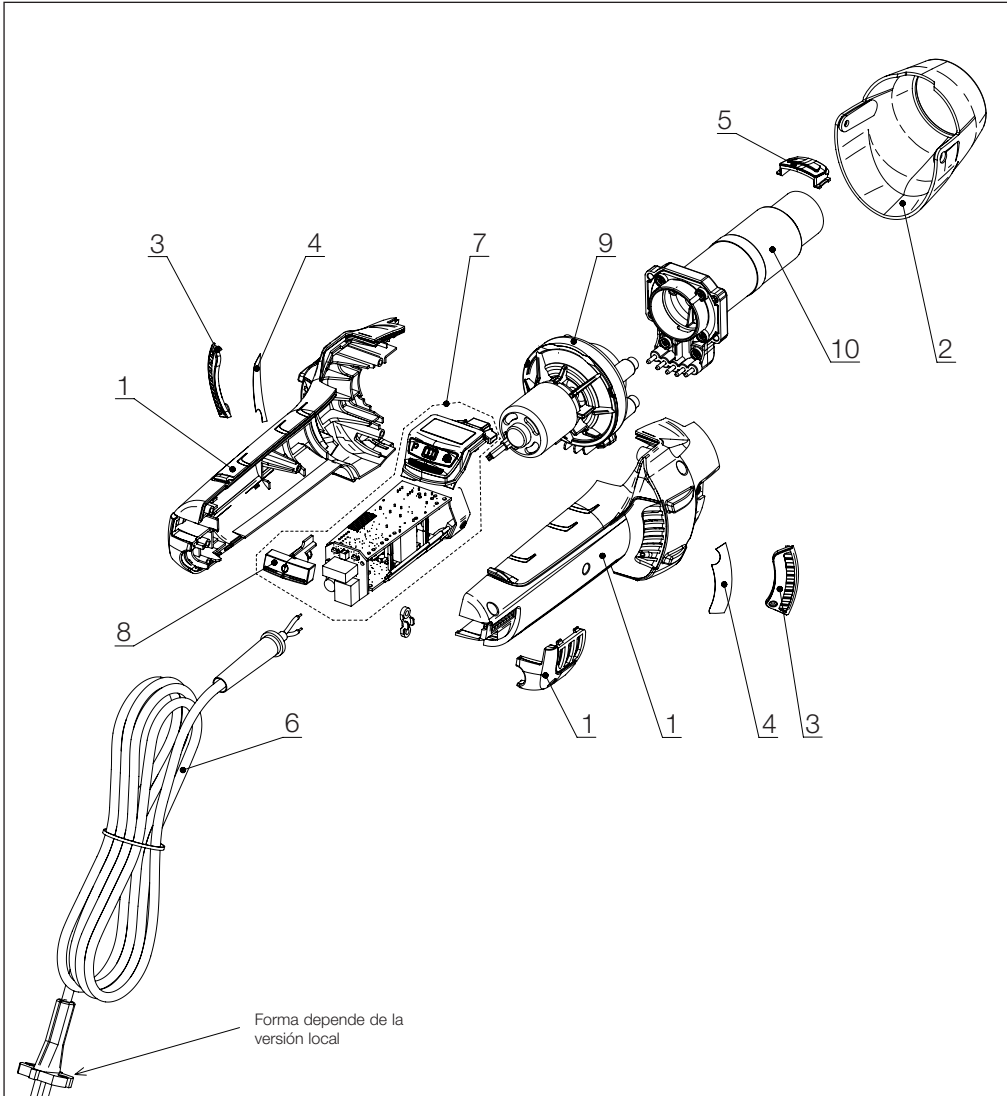


## Accesorios HG 2620 E



1	Tobera redonda, 5 mm	Nº de art. 110048652	19	Tobera de soldadura rápida, 4 mm, ranura de expulsión fina	Nº de art. 110039076
2	Tobera redonda, 10 mm	Nº de art. 110048653	20	Tobera de soldadura rápida, 5 mm, ranura de expulsión fina	Nº de art. 110039166
3	Tobera redonda, extensión, 5 mm	Nº de art. 110038668	21	Cepillo acanalador	Nº de art. 110038478
4	Tobera plana angular, 20 x 2 mm Tobera plana angular, 20 x 2 mm, lisa	Nº de art. 110049713 Nº de art. 107082800	22	Cuchilla de un cuarto de luna	Nº de art. 110038479
5	Tobera plana angular, 40 x 2 mm	Nº de art. 110049712	23	Tobera reflectora para soldar	Nº de art. 110039169
6	Tobera plana angular, 30 x 2 mm	Nº de art. 110039176	24	Tobera reflectora, 20 mm	Nº de art. 110039167
7	Tobera plana angular, 40 x 2 mm, perforada	Nº de art. 110038670	25	Tobera reflectora, 35 mm	Nº de art. 110039168
8	Tobera plana para asfalto, 60 x 2 mm	Nº de art. 110038674	26	Tobera con reflector de criba, 35 x 20 mm	Nº de art. 110038726
9	Rodillo presionador goma, 50 mm	Nº de art. 110038455	27	Tobera con reflector de criba, 50 x 35 mm	Nº de art. 110038725
10	Rodillo presionador silicona, 35 mm	Nº de art. 110031646	28	Tobera con reflector guía	Nº de art. 110039170
11	Tijeras para lona impermeable	Nº de art. 110038728	29	HG Scan PRO	Nº de art. 110033508
12	Espátula	Nº de art. 110039165	30	Barras de soldadura de plástico PVC rígido	Nº de art. 110048754
13	Guía para soldar	Nº de art. 110038477	31	Barras de soldadura de plástico HDPE	Nº de art. 110048753
14	Tobera soldadora	Nº de art. 110048747	32	Barras de soldadura de plástico PP	Nº de art. 110048757
15	Tobera de soldadura rápida, 3 mm	Nº de art. 110038331	33	Barras de soldadura de plástico ABS	Nº de art. 110048756
16	Tobera de soldadura rápida, 4 mm	Nº de art. 110038332	34	Barras de soldadura de plástico Thermo Flex	Nº de art. 110049675
17	Tobera de soldadura rápida, 5 mm	Nº de art. 110038333			
18	Tobera de soldadura rápida, 3 mm, ranura de expulsión fina	Nº de art. 110038676			

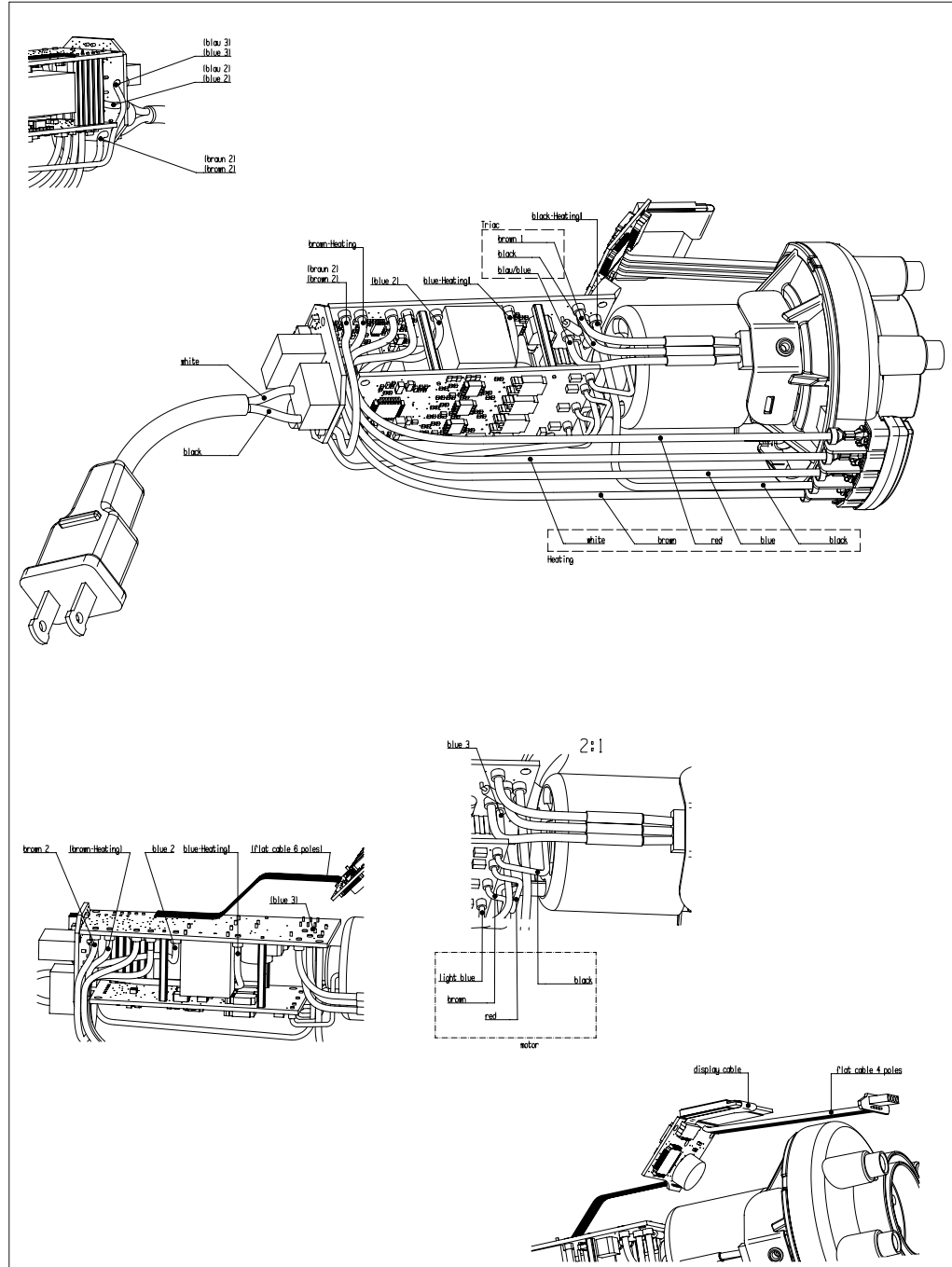
Lista de piezas de recambio HG 2620 E



Forma depende de la versión local

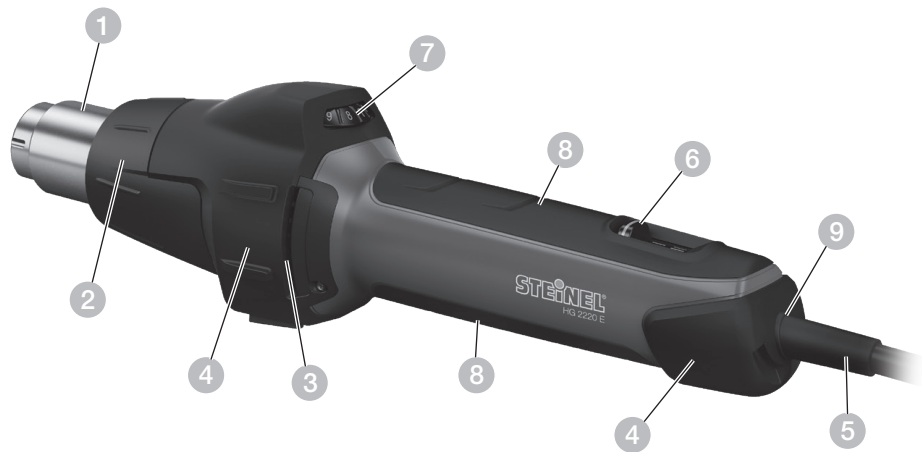
	Pos.	Nº de art.
<b>HG 2620 E, modelo 3518</b>		
Recambio set de carcasa HG 2620 E US	1	110050676
Recambio tubo protector HG 2620 US	2	110040719
Recambio filtro de partículas de polvo HG 2620	3	110050697
Recambio fieltro de partículas de polvo finas HG 2620	4	110040800
Recambio caperuza terminal HG 2620 US	5	110040720
Recambio cable de alimentación HG 2620 US	6	110025024
Recambio unidad electrónica HG 2620 US	7	110050698
Recambio conmutador HG 2620 US	8	110040804
Recambio motor HG 2620 US	9	110036756
Recambio resistencia HG 2620 US	10	110050702

Diagrama de cableado HG 2620 E





## HG 2220 E



## Funciones de herramienta HG 2220 E

- |  |   |
|--|---|
| 1 Tobera de expulsión de acero inoxidable                    | 6 Selector para ajustar el caudal de aire (2 niveles) |
| 2 Tubo de protección desmontable                             | 7 Rueda reguladora para ajustar la temperatura        |
| 3 Entrada de aire con filtro de polvo fino integrado         | 8 Empuñadura blanda para un trabajo más cómodo        |
| 4 Revestimiento suave para un estacionamiento antideslizante | 9 Cable de alimentación intercambiable                |
| 5 Cable revestido de goma aislante resistente                |   |

## Descripción de la herramienta - funcionamiento HG 2220 E

**Por favor, téngase en cuenta:** La distancia del objeto que está trabajando dependerá del material y el método previstos. ¡Pruebe siempre primero el caudal y la temperatura en una pieza de prueba! Utilizando las toberas acoplables complementarias (véase la página de accesorios en la cubierta), el caudal de aire caliente podrá regularse con suma precisión. **¡Tenga cuidado al cambiar las toberas calientes!** Cuando utilice la pistola de aire caliente como aparato estacionario, asegúrese de que la base de trabajo sea segura, que no resbale y que esté limpia.

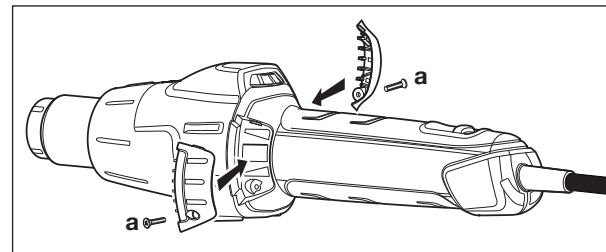
La herramienta se enciende y apaga mediante un interruptor de dos etapas **6**. En las posiciones 1 y 2, la temperatura se puede variar sin etapas mediante una rueda reguladora de 9 etapas. El tubo de protección se puede desmontar.

La conexión causa breves bajones de voltaje. Si el sistema de alimentación eléctrica no es completamente estable, podrá afectar a otros equipos. Fallos no serán de esperar con impedancias de red inferiores a los 0,43 ohmios.

## Mantenimiento

Filtro de polvo fino **3**

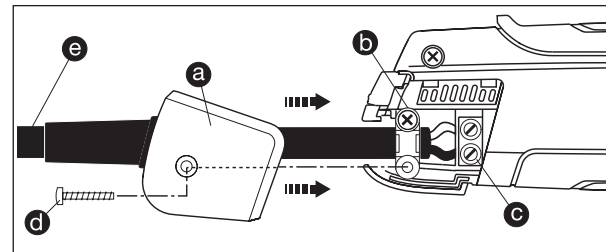
La HG 2220 E lleva un filtro de polvo fino integrado **3**. Para limpiarlo (con aire comprimido), suelte los tornillos **(a)**, retire la cubierta y saque el filtro.



## Reparación

Cambiar el cable de alimentación **14**

**¡Importante! Desconecte el aparato de la fuente de alimentación. Reparaciones eléctricas solo las deberá ejecutar un electricista debidamente autorizado y cualificado.**



Si el cable de alimentación se estropea, puede cambiarse fácilmente sin tener que abrir la carcasa.

1. Soltar el tornillo **(d)** y retirar la tapa **(a)**.
2. Soltar la descarga de tracción **(b)**.
3. Soltar los bornes de conexión **(c)**.
4. Sacar el cable **(e)**.
5. Introducir nuevo cable y sujetarlo en orden inverso (1. Apretar bien los bornes de conexión etc.).

## Especificaciones técnicas HG 2220 E

Voltaje	120 V, 60 Hz	
Potencia	1500 W	
Nivel	1	2
Caudal de aire	4 - 7 pcm	6 - 12 pcm
Temperatura	120 - 1100 °F 50 - 600 °C	120 - 1100 °F 50 - 600 °C
Ajuste de temperatura	Mediante rueda reguladora en 9 etapas	
Cable de alimentación	Goma industrial, doble aislamiento	
Termofusible	Sí	
Nivel de emisión de presión sonora	≤ 70dB (A)	
Valor total de vibración	≤ 2,5 m/s <sup>2</sup> / K = 0,08 m/s <sup>2</sup>	
Peso sin cable de alimentación	0,610 kg	
Salvo modificaciones técnicas		

### Ajustes

Rueda reguladora	Nivel de caudal de <b>aire 1</b> bajo caudal de aire	Nivel de caudal de <b>aire 2</b> elevado caudal de aire
	Temperatura aprox.	Temperatura aprox.
1	176 °F (80 °C)	176 °F (80 °C)
2	230 °F (110 °C)	230 °F (110 °C)
3	374 °F (190 °C)	356 °F (180 °C)
4	536 °F (280 °C)	500 °F (260 °C)
5	680 °F (360 °C)	644 °F (340 °C)
6	824 °F (440 °C)	788 °F (420 °C)
7	932 °F (500 °C)	896 °F (480 °C)
8	1058 °F (570 °C)	1040 °F (560 °C)
9	1166 °F (630 °C)	1166 °F (630 °C)

Dependiendo de la precisión con que se haya ajustado la rueda reguladora, los valores orientativos podrán variar hasta +/- 68 °F de la temperatura real generada.

## Aplicaciones HG 2220 E

### Retractilar fundas en cables:

La funda retractilable se pasa por encima de la sección a aislar y se calienta con el aire caliente. El diámetro de la funda se encoje un 50% aprox., consiguiéndose una unión sellada. El retractilado es particularmente rápido y uniforme usando toberas con reflector. Sellar y estabilizar roturas de cables, aislar uniones soldadas, juntar cableados, revestir clemas.

### Moldear PVC:

Lonas, tuberías o botas de esquí pueden ablandarse y moldearse con aire caliente.

### Soldar:

Limpie, primero, las piezas metálicas que quiere unir. Después, caliéntese con el aire el punto que se quiere soldar y aplíquese el alambre para soldar. Use fundente o un alambre para soldar con núcleo fundente para prevenir la formación de óxido.

### Soldar y unir plásticos:

Las piezas soldadas han de ser del mismo material sintético. Use una barra de soldadura apropiada.

### Unir lonas de plástico:

Las lonas se solapan y se unen soldándolas. Una tobera ranurada se usa para dirigir el aire caliente por debajo de la solapadura, entonces, las dos lonas se aprietan fuerte una contra la otra con un rodillo presionador.

Otra posibilidad: Reparar lonas impermeables de PVC mediante soldadura a solape con tobera ranurada.

### Moldear:

Botas de esquí y zapatillas de deporte pueden adaptarse bien moldeándolas.

### Soldar lonas:

Las lonas se solapan y se unen soldándolas. Una tobera ranurada se usa para dirigir el aire caliente por debajo de la solapadura, entonces, las dos lonas se aprietan fuerte una contra la otra con un rodillo presionador. Otra posibilidad: Reparar lonas impermeables de PVC mediante soldadura a solape con tobera ranurada.

- Soldar termoplásticos
- Soldar láminas y lonas impermeables
- Soldar plásticos y juntas
- Activar y deshacer pegamentos y adhesivos termofusibles
- Descongelar cerraduras de puerta congeladas, tuberías de agua, escaleras heladas
- Calentar láminas envolventes car-wrapping
- Canteados
- Moldear termoplásticos

Tipos de plástico:		
Material	Tipos de aplicación	Características distintivas
<b>PVC rígido</b>	Tuberías, accesorios, placas, perfiles, componentes técnicos moldeados, etc. Temperatura de soldadura 550 - 650 °F (290 - 345 °C)	<b>Prueba de combustión:</b> carboniza en la llama y se apaga solo <b>Olor del humo:</b> repugnante, a ácido clorhídrico <b>Prueba de caída:</b> estrepitoso
<b>PVC plastificado</b>	Revestimientos para suelos, papeles pintados, mangueras, lonas, herramientas, etc. Temperatura de soldadura 550 - 650 °F (290 - 345 °C)	<b>Prueba de combustión:</b> humo, llama amarillenta-verdosa <b>Olor del humo:</b> repugnante, a ácido clorhídrico <b>Prueba de caída:</b> silencioso
<b>PE plastificado (LDPE)</b> Polietileno	Aparatos domésticos y electrónicos, juguetes, botellas, etc. Temperatura de soldadura 450 - 550 °F (230 - 290 °C)	<b>Prueba de combustión:</b> llama clara, amarilla, gotas siguen quemándose <b>Olor del humo:</b> similar a una vela apagada <b>Prueba de caída:</b> sordo
<b>PE duro (HDPE)</b> Polietileno	Bañeras, cestas, bidones, materiales aislantes, tuberías, ventilaciones de sótanos, contenedores de transporte, cubos de basura, etc. Temperatura de soldadura 550 - 650 °F (290 - 345 °C)	<b>Prueba de combustión:</b> llama clara, amarilla, gotas siguen quemándose <b>Olor del humo:</b> similar a una vela apagada <b>Prueba de caída:</b> estrepitoso
<b>PP</b> Polipropileno	Tuberías de drenaje HT, sillas de plástico, embalajes, componentes de coche, carcasas de equipos, molduras, cajas de baterías, etc. Temperatura de soldadura 450 - 550 °F (230 - 290 °C)	<b>Prueba de combustión:</b> llama clara con núcleo azul, gotas siguen quemándose <b>Olor del humo:</b> olor repugnante a queroseno <b>Prueba de caída:</b> estrepitoso
<b>ABS</b>	Componentes de coche, carcasas de equipos, maletas Temperatura de soldadura 625 - 725 °F (330 - 385 °C)	<b>Prueba de combustión:</b> humo negro, blando <b>Olor del humo:</b> dulzón <b>Prueba de caída:</b> estrepitoso



### Accesorios especiales



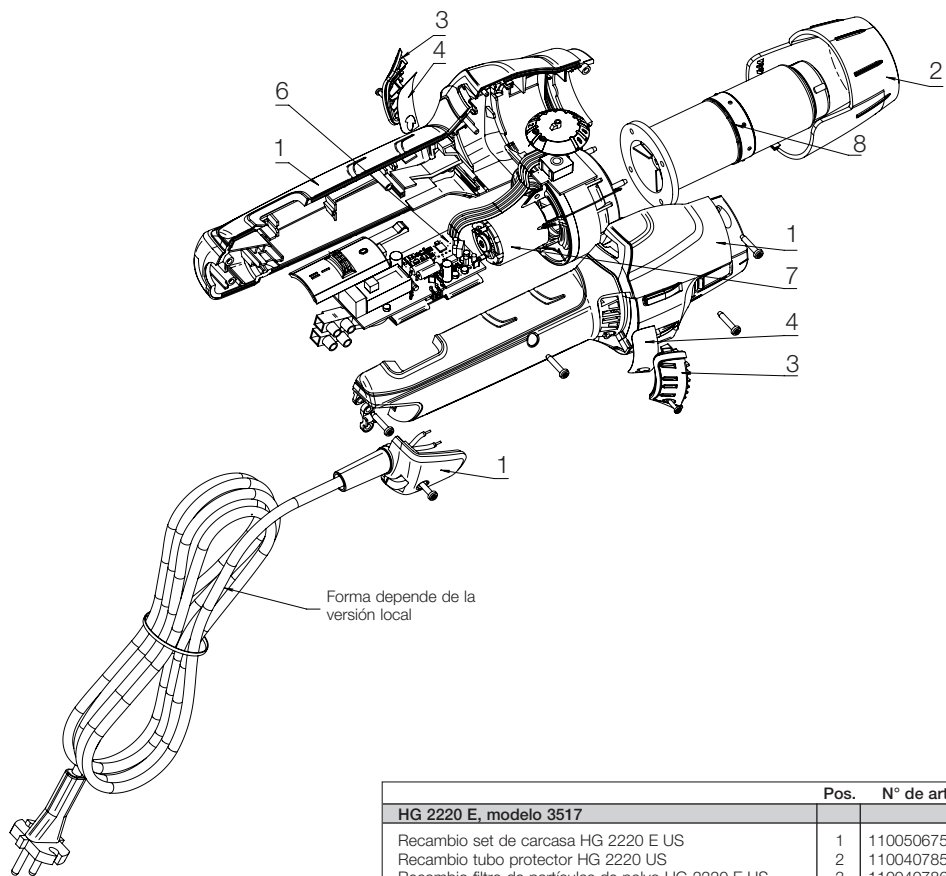
## Accesorios HG 2220 E

En su tienda usted podrá elegir entre una amplia gama de accesorios.



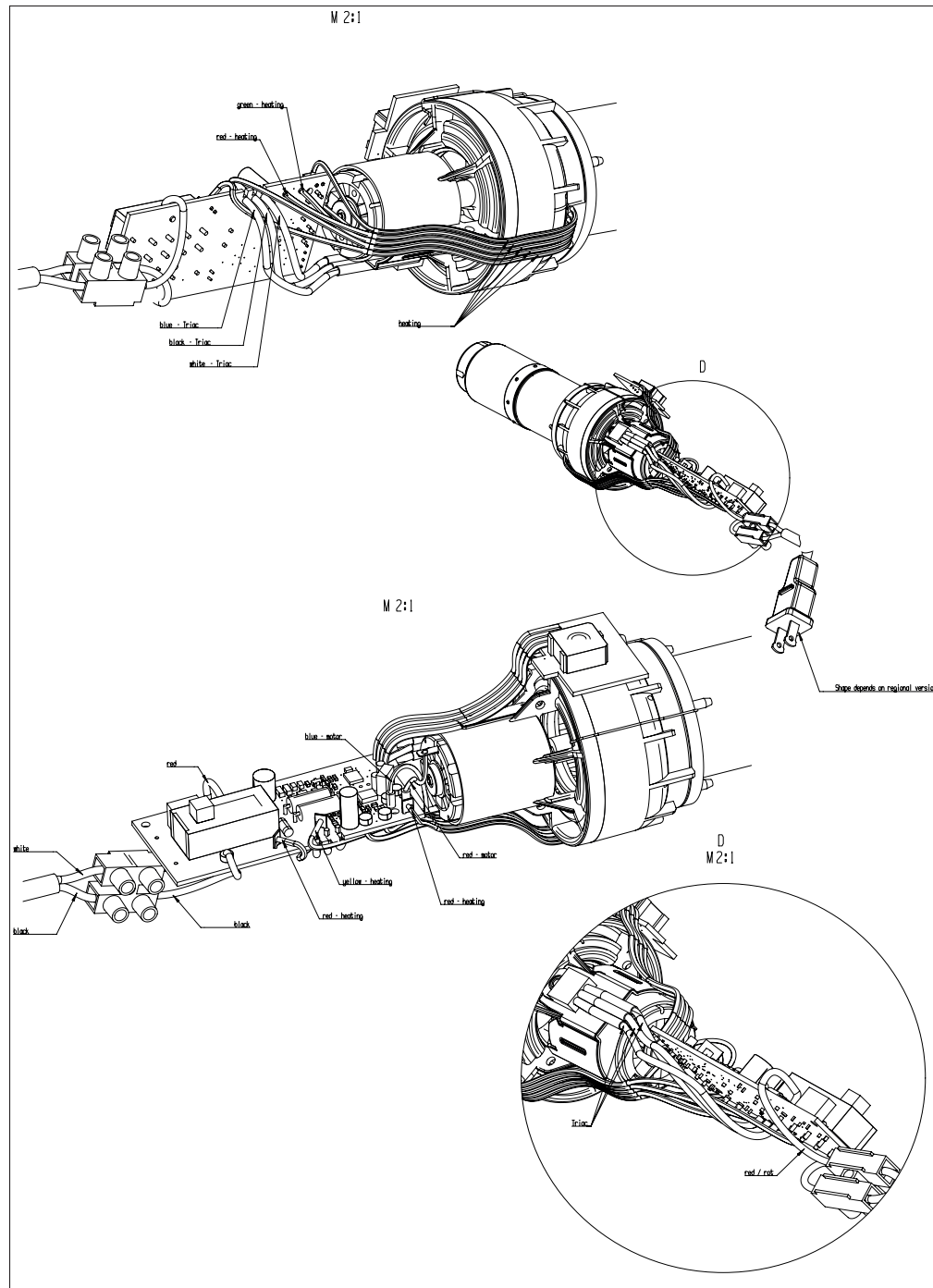
1	Tobera de deflexión, 75 mm	Nº de art. 110048749	11	Tobera reflectora, 14 mm	Nº de art. 110048752
2	Tobera de deflexión, 50 mm	Nº de art. 110048750	12	Tobera con reflector de criba	Nº de art. 110038724
3	Tobera de dispersión, 75 mm	Nº de art. 110048749	13	Tobera reductora puntual	Nº de art. 110049668
4	Tobera de dispersión, 50 mm	Nº de art. 110048643	14	Tobera soldadora	Nº de art. 110048648
5	Tobera reflectora, 39 mm	Nº de art. 110048645	15	Barras de soldadura de plástico PVC rígido	Nº de art. 110048754
6	Tobera de soldadura a solape, 20 mm	Nº de art. 110048649	16	Barras de soldadura de plástico HDPE	Nº de art. 110048753
7	Tobera redonda, 14 mm	Nº de art. 110048647	17	Barras de soldadura de plástico PP	Nº de art. 110048757
8	Rodillo presionador silicona	Nº de art. 110049584	18	Barras de soldadura de plástico ABS	Nº de art. 110048756
9	Tobera redonda, 9 mm	Nº de art. 110048646	19	Barras de soldadura de plástico Thermo Flex	Nº de art. 110049675
10	Tobera reflectora, 9 mm	Nº de art. 110048646	20	Estuche	Nº de art. 110036731

Lista de piezas de recambio HG 2220 E



	Pos.	Nº de art.
<b>HG 2220 E, modelo 3517</b>		
Recambio set de carcasa HG 2220 E US	1	110050675
Recambio tubo protector HG 2220 US	2	110040785
Recambio filtro de partículas de polvo HG 2220 E US	3	110040786
Recambio filtro de partículas de polvo finas HG 2220 E US	4	110040787
Recambio cable de alimentación HG 2220 US/TW	5	110024050
Recambio unidad electrónica HG 2220 E US	6	110050678
Recambio motor HG 2220 US	7	110041659
Recambio resistencia HG 2220 US	8	110050680

Diagrama de cableado HG 2220 E



## Garantía limitada

STEINEL ofrece una garantía sobre sus pistolas de aire caliente, haciéndolas funcionar y manteniéndolas adecuadamente y bajo condiciones normales, por un período de un (1) año a partir de la fecha de compra. La garantía no será aplicable a las piezas de desgaste tales como las resistencias que han de ser sustituidas periódicamente. Quedan explícitamente EXCLUIDAS de la garantía las herramientas que hayan sido sometidas al abuso, herramientas que hayan sido abiertas o reparadas por cualquier otra persona que STEINEL, herramientas que hayan sido modificadas de alguna forma o montadas en alguna/algún máquina/equipo, y las herramientas que se hayan hecho funcionar ininterrumpidamente. Se trata de herramientas eléctricas manuales previstas para el uso como tales. Cualquier otro uso anulará la garantía de STEINEL.

## Procedimientos de garantía y reparación

Caso que el producto presentara un fallo, llame, por favor, directamente al servicio posventa de STEINEL al +1-800-852-4343. Intentaremos resolver el problema por teléfono. Caso que fuera necesario algún trabajo de garantía u otra reparación, emitiremos un número de autorización (RGA#) y le enviaremos una dirección para el envío (porte pagado por el cliente), con el número RGA# bien visible, acompañado de una descripción breve del problema al igual que de su tíquet de compra original con la fecha, su número de teléfono y dirección de retorno.

Una vez recibido, STEINEL examinará el problema y determinará si está cubierto por la garantía. Si determinamos que está cubierto por la garantía, repararemos o sustituiremos el aparato defectuoso, según nuestro criterio, y se lo enviaremos al cliente (porte pagado por STEINEL).

Si determinamos que el aparato no tiene defecto y/o que no está cubierto por la garantía, contactaremos al cliente para discutir las opciones antes de realizar cualquier trabajo de reparación que no esté cubierto por la garantía.

Cualquier reparación fuera de la garantía será facturada a las tarifas usuales y presupuestada antes de realizarla.

## Daños consecuenciales

La compañía no será responsable de los daños incidentales o consecuenciales derivados del uso que el comprador haga del producto, del incumplimiento de cualquiera de las condiciones de garantía, de la no entrega, del retraso en la entrega o de la entrega en condiciones inapropiadas o de cualquier otro incumplimiento del contrato u obligación entre la compañía y el comprador.

Algunos estados no permiten la exclusión o limitación de los daños incidentales o consecuenciales, por lo que la limitación o exclusión anterior puede que no sea de aplicación para usted.

## Exoneración de la garantía

Las garantías aquí indicadas se ofrecen expresamente en lugar de cualquier otra garantía expresada o implícita o de cualquier otra obligación por parte de la compañía. Cualquier garantía implícita de comerciabilidad o aptitud para un propósito particular expirará un (1) año después de la fecha en que el comprador usuario final original haya comprado el producto. Cualquier modelo, dibujo, plano, especificación, afirmación de hecho, promesa u otra comunicación por parte de la compañía referente al funcionamiento del producto constituirá exclusivamente un servicio adicional para el comprador y no modificará de ningún modo las garantías ni exoneraciones aquí expuestas. El comprador reconoce que compra el producto solamente sobre la base de las obligaciones a las que la compañía aquí expresamente se compromete. Ningún agente ni otro tipo de tercero está autorizado para ofrecer garantías en nombre de la compañía o para asumir en nombre de la compañía cualquier otra responsabilidad en relación con el producto. Algunos estados no permiten limitaciones de la duración de una garantía implícita, por lo que la limitación anterior puede que no sea de aplicación para usted.

## Limitación de acciones legales

Cualquier acción legal que resulte del incumplimiento de alguna de las garantías aquí expresadas por parte de la compañía deberá iniciarse dentro del plazo de un (1) año a partir del momento en que haya surgido la causa de la acción. En ningún caso la responsabilidad total de la compañía por uno cualquiera o todos los incumplimientos de garantía excederá el importe del precio de compra efectivo del producto.

## Otros derechos

Esta garantía le otorga a usted determinados derechos legales, pudiendo asistirle también otros derechos que variarán de un estado a otro.

## STEINEL America, Inc.

9051 Lyndale Avenue South

Bloomington, MN 55420

Tel.: +1-952-888-5950

Fax: +1-952-888-5132

Línea gratuita: 800-852-4343

Servicio Técnico: service@steinel.net

E-mail: sales@steinel.net

Visite nuestro web: www.steinel.net

**GARANTÍA**

**12 meses**

**DE FUNCIONAMIENTO**