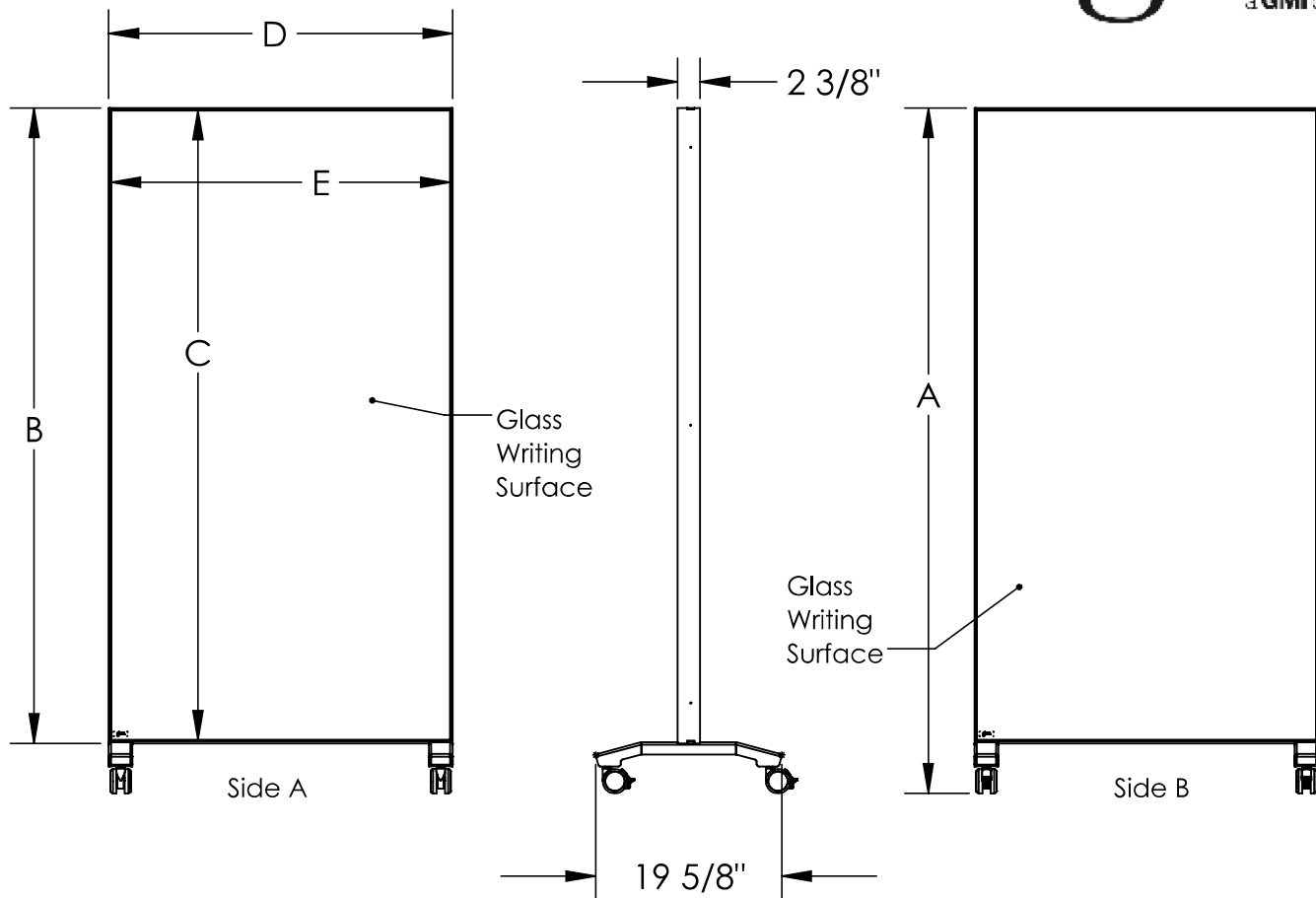


Stroll Mobile Glass Whiteboard / SMG1

Product Specifications



Materials:

- Board Surface: 1/8" thick, tempered low iron glass
- Frame: Powder coated steel frame with anodized aluminum finish

Features:

- Available in magnetic and non-magnetic
- Available in 4 sizes: 72x36, 72x60, 54x36, 54x60
- Available in 18 standard glass colors: Blue, Beige, Black, Cactus, Denim, Grape, Green, Gray, Jade, Lilac Gray, Marigold, Peach, Petal, Rose, Smoke, Terra, White, and Yellow; custom colors and logo printing available
- Includes magnetic eraser and 4 assorted color magnetic markers; magnetic boards include 4 rare earth magnets
- Board is guaranteed for 10 years

Notes:

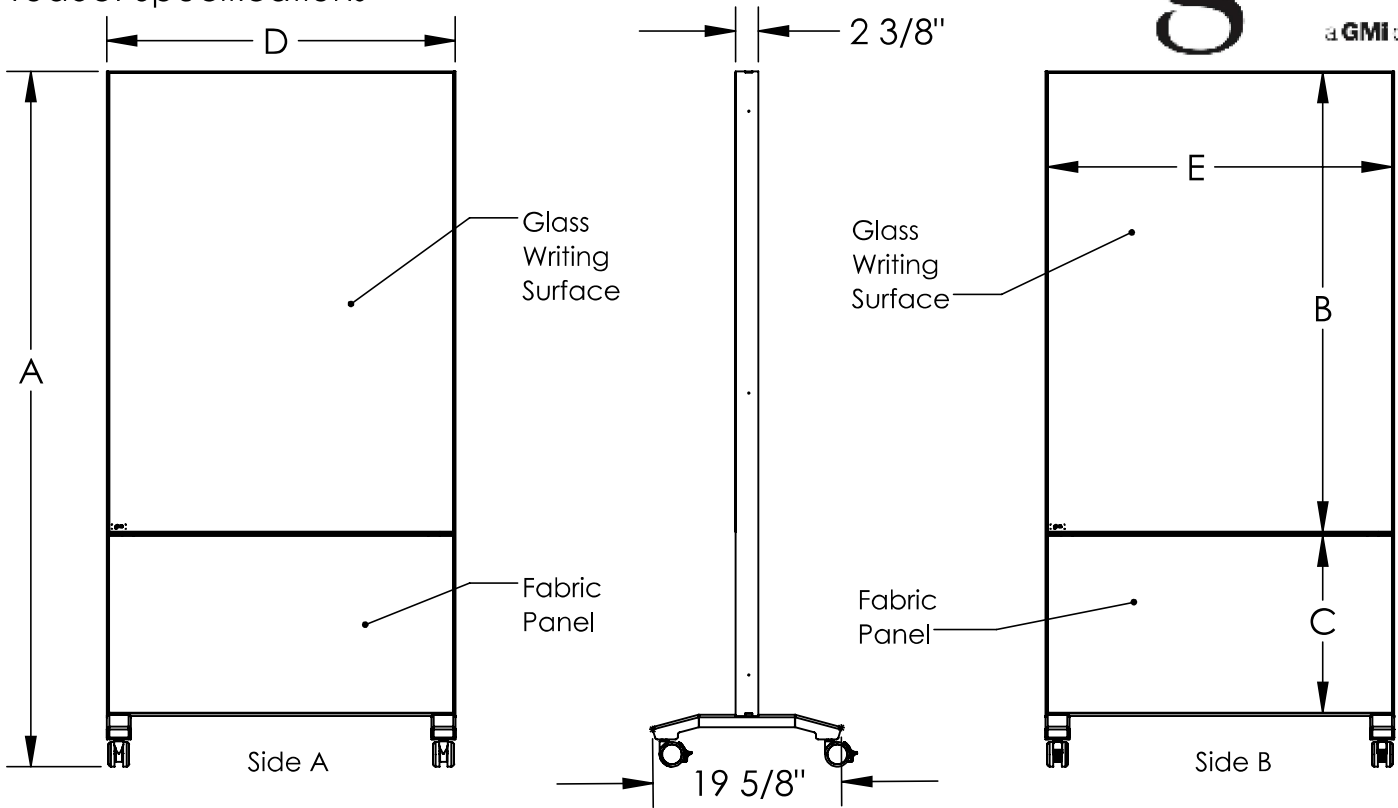
- Indoor use only
- Ships fully assembled on individual skid

Part Number	A	B	C	D	E	Weight non-mag/mag
SMG1x5436SILxx	53-5/8"	48-3/8"	47-3/4"	36-1/4"	35-3/4"	105 lbs. / 128 lbs.
SMG1x5460SILxx	53-5/8"	48-3/8"	47-3/4"	60"	59-7/8"	159 lbs. / 198 lbs.
SMG1x7236SILxx	72-3/8"	67"	66-1/2"	36-1/4"	35-3/4"	137 lbs. / 169 lbs.
SMG1x7260SILxx	72-3/8"	67"	66-1/2"	60"	59-7/8"	232 lbs. / 286 lbs.

X = Place holder for variable information

Stroll Mobile Glass Whiteboard / SMG2

Product Specifications



Materials:

- Board Surface: 1/8" thick, tempered low iron glass
- Frame: Powder coated steel frame with anodized aluminum finish
- Fabric: Maharam Flock, Merit and Mode fabric 100% polyester, acoustically rated at 0.80 NRC

Features:

- Available in magnetic and non-magnetic
- Available in 4 sizes: 72x36, 72x60, 54x36, 54x60
- Available in 18 standard glass colors: Blue, Beige, Black, Catcus, Denim, Grape, Green, Gray, Jade, Lilac Gray, Marigold, Peach, Petal, Rose, Smoke, Terra, White, and Yellow; custom colors and logo printing available
- Available in 21 standard fabric options:
 - Maharam Flock, 100% polyester, acoustically rated at 0.80 NRC: Calm, Highsea, Highlight, Quag, Roe, Raven, and Aluminum
 - Maharam Mode, 100% polyester, acoustically rated at 0.85 NRC: Intaglio, Oxeye, Valley, Bonsai, Petal, Jetty, and Carotene
 - Maharam Merit, 100% polyester, acoustically rated at 0.80 NRC: Trickle, Sunflower, Nectarine, Ripple, Hedera, Mudder, and Alert
- Includes magnetic eraser and 4 assorted color magnetic markers; magnetic boards include 4 rare earth magnets
- Board is guaranteed for 10 years

Notes:

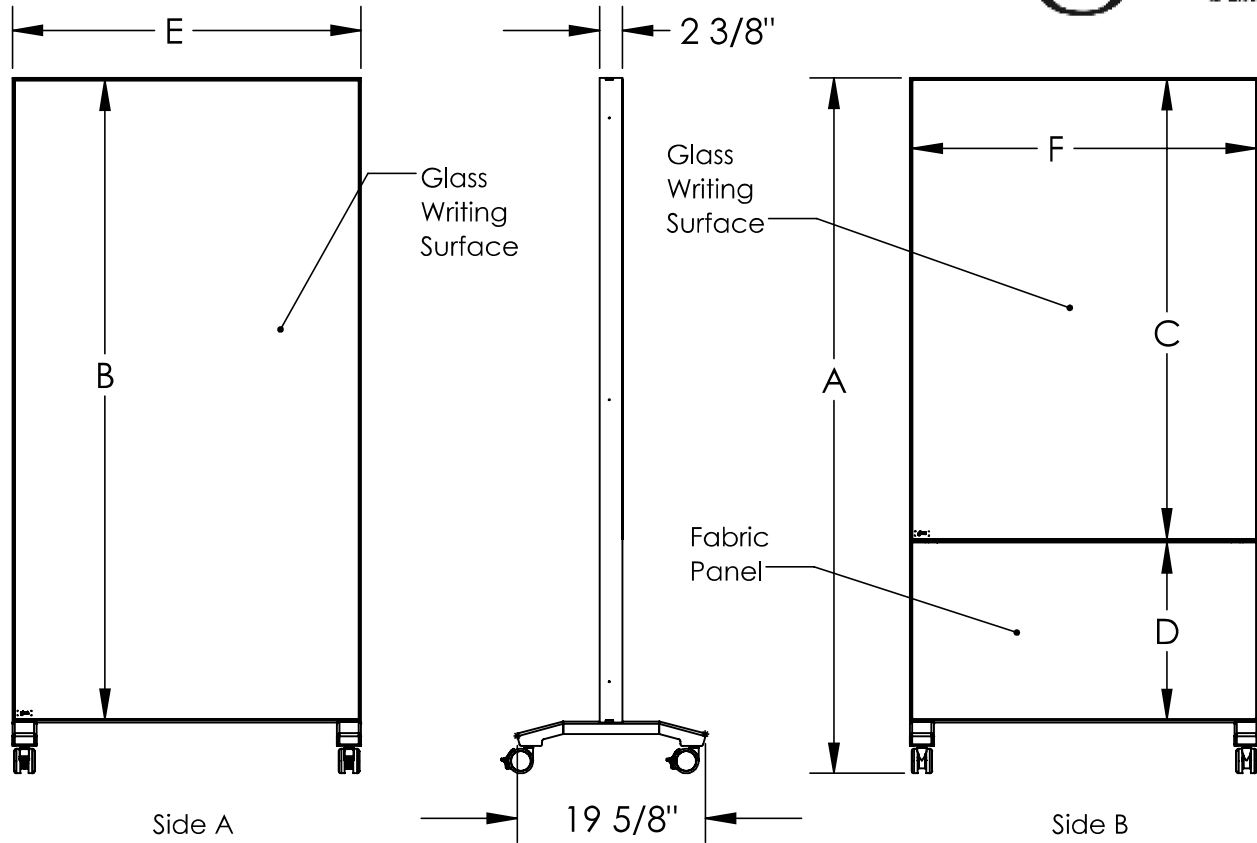
- Indoor use only
- Ships fully assembled on individual skid

Part Number	A	B	C	D	E	Weight non-mag/mag
SMG2x5436SILxx	53-5/8"	29-1/8"	18-3/8"	36-1/4"	35-3/4"	87 lbs. / 101 lbs.
SMG2x5460SILxx	53-5/8"	29-1/8"	18-3/8"	60-1/4"	59-7/8"	130 lbs. / 154 lbs.
SMG2x7236SILxx	72-3/8"	47-3/4"	18-3/8"	36-1/4"	35-3/4"	132 lbs. / 155 lbs.
SMG2x7260SILxx	72-3/8"	47-3/4"	18-3/8"	60-1/4"	59-7/8"	218 lbs. / 257 lbs.

X = Place holder for variable information

Stroll Mobile Glass Whiteboard / SMG3

Product Specifications



Materials:

- Board Surface: 1/8" thick, tempered low iron glass
- Frame: Powder coated steel frame with anodized aluminum finish
- Fabric: Maharam Flock, Merit, and Mode fabric 100% polyester, acoustically rated at 0.80 NRC

Features:

- Available in magnetic and non-magnetic
- Available in 4 sizes: 72x36, 72x60, 54x36, 54x60
- Available in 18 standard glass colors: Blue, Beige, Black, Cactus, Denim, Grape, Green, Gray, Jade, Lilac Gray, Marigold, Peach, Rose, Smoke, Terra, White, and Yellow; custom colors and logo printing available
- Available in 21 standard fabric options:
 - Maharam Flock, 100% polyester, acoustically rated at 0.80 NRC: Calm, Highsea, Highlight, Quag, Roe, Raven, and Aluminum
 - Maharam Mode, 100% polyester, acoustically rated at 0.85 NRC: Intaglio, Oxeye, Valley, Bonsai, Petal, Jetty, and Carotene
 - Maharam Merit, 100% polyester, acoustically rated at 0.80 NRC: Trickle, Sunflower, Nectarine, Ripple, Hedera, Mudder, and Alert
- Includes magnetic eraser and 4 assorted color magnetic markers; magnetic boards include 4 rare earth magnets
- Board is guaranteed for 10 years

Notes:

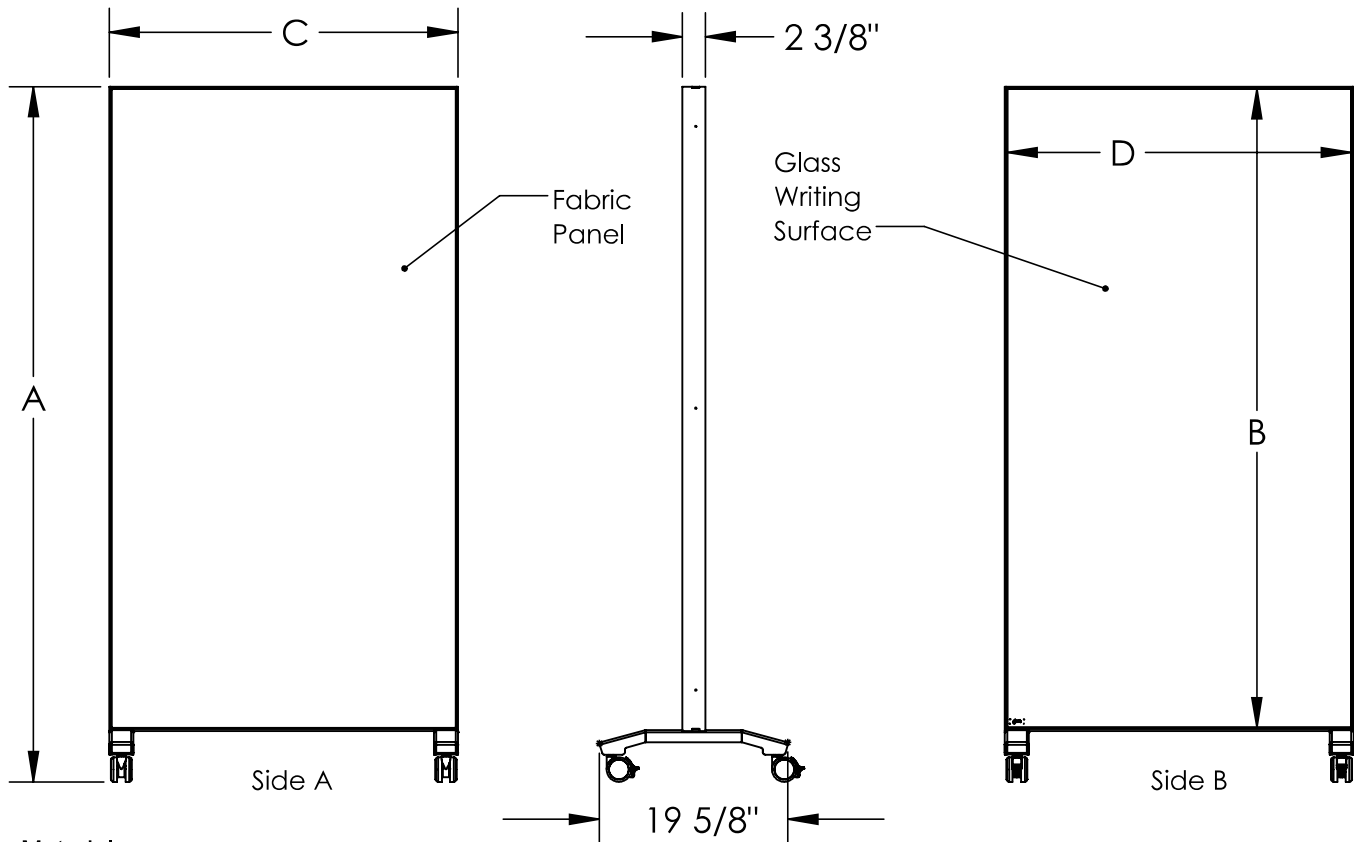
- Indoor use only
- Ships fully assembled on individual skid

Part Number	A	B	C	D	E	F	Weight non-mag/mag
SMG3x5436SILxx	53-5/8"	47-3/4"	29-1/8"	18-3/8"	36-1/4"	35-3/4"	95 lbs. / 113 lbs.
SMG3x5460SILxx	53-5/8"	47-3/4"	29-1/8"	18-3/8"	60-1/4"	59-7/8"	142 lbs. / 173 lbs.
SMG3x7236SILxx	72-3/8"	66-1/2"	47-3/4"	18-3/8"	36-1/4"	35-3/4"	134 lbs. / 161 lbs.
SMG3x7260SILxx	72-3/8"	66-1/2"	47-3/4"	18-3/8"	60-1/4"	59-7/8"	225 lbs. / 271 lbs.

X = Place holder for variable information

Stroll Mobile Glass Whiteboard / SMG4

Product Specifications



Materials:

- Board Surface: 1/8" thick, tempered low iron glass
- Frame: Powder coated steel frame with anodized aluminum finish
- Fabric: Maharam Flock, Merit, and Mode fabric 100% polyester, acoustically rated at 0.80 NRC

Features:

- Available in 4 sizes: 72x36, 72x60, 54x36, 54x60
- Available in 18 standard glass colors: Blue, Beige, Black, Cactus, Denim, Grape, Green, Gray, Jade, Lilac Gray, Marigold, Peach, Rose, Smoke, Terra, White, and Yellow; custom colors and logo printing available
- Available in 21 standard fabric options:
 - Maharam Flock, 100% polyester, acoustically rated at 0.80 NRC: Calm, Highsea, Highlight, Quag, Roe, Raven, and Aluminum
 - Maharam Mode (**NOT AVAILABLE on 72x60**), 100% polyester, acoustically rated at 0.85 NRC: Intaglio, Oxeys, Valley, Bonsai, Petal, Jetty, and Carotene
 - Maharam Merit (**NOT AVAILABLE on 72x60**), 100% polyester, acoustically rated at 0.80 NRC: Trickle, Sunflower, Nectarine, Ripple, Hedera, Mudder, and Alert
- Includes magnetic eraser and 4 assorted color magnetic markers; magnetic boards include 4 rare earth magnets
- Board is guaranteed for 10 years

Notes:

- Indoor use only
- Ships fully assembled on individual skid

Part Number	A	B	C	D	Weight
SMG4x5436SILxx	53-5/8"	47-3/4"	36-1/4"	35-3/4"	79 lbs.
SMG4x5460SILxx	53-5/8"	47-3/4"	60-1/4"	59-7/8"	117 lbs.
SMG4x7236SILxx	72-3/8"	66-1/2"	36-1/4"	35-3/4"	103 lbs.
SMG4x7260SILxx	72-3/8"	66-1/2"	60-1/4"	59-7/8"	166 lbs.

X = Place holder for variable information