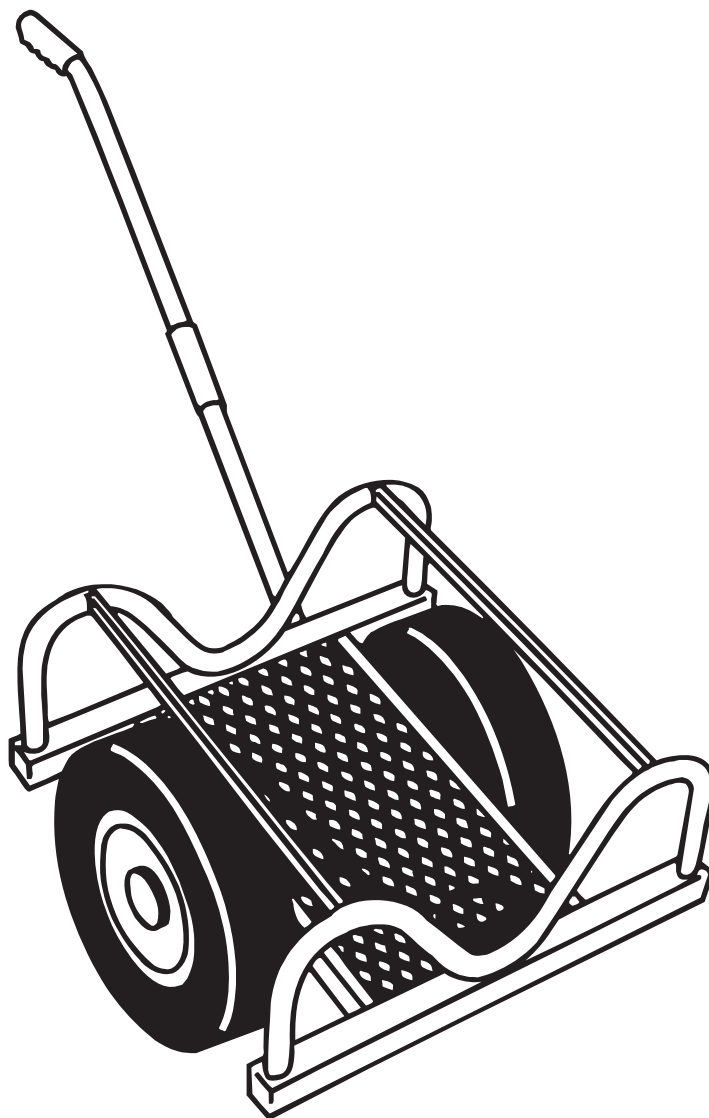


# Cricket

## Operator's Manual



# SUMNER\*

 A Southwire Company

### USA

7514 Alabonson Rd.  
Houston, TX 77088  
ph: 281-999-6900  
fax: 281-999-6966

### CANADA

75 Saltsman Drive, Unit 5  
Cambridge, Ontario N3H 4R7  
ph: 519-653-5300  
fax: 519-653-5305

### NETHERLANDS

Midden Engweg  
21NL-3882TS Putten  
Netherlands  
europeansales.com  
ph: + 31 (0) 85 489 0284

### UK

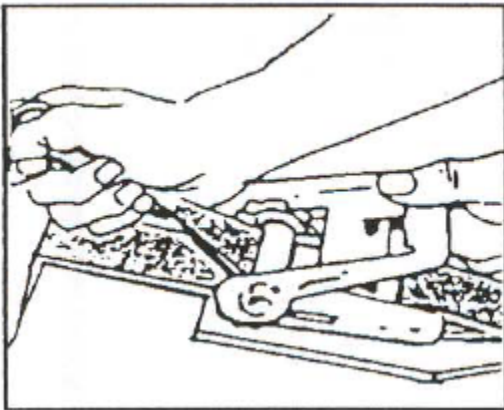
Unit 3 Kempton Road  
Keytec 7 Business Park  
Persnore, Worcestershire  
WR 10 2TA, UK  
ph: + 44 (0) 1386 556278  
fax: + 44 (0) 1386 556776

**Capacity: 1,000 lbs / 450 kg**

**Weight: 70 lbs / 32 kg**

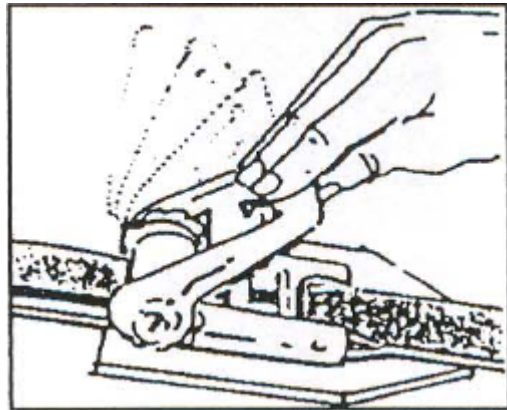
## **OPERATING THE HOLD-DOWN STRAP**

**Fig. 1**



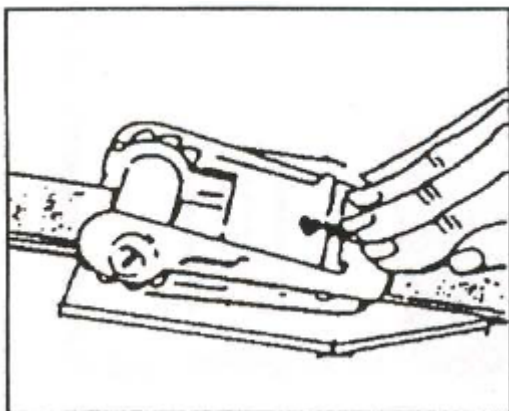
Insert end of strap through slot in ratchet reel and pull until snug.

**Fig. 2**



Tighten the strap by pumping the handle until secure. A minimum of two turns of webbing should be around the reel after tensioning.

**Fig. 3**



When straps are tight, put handle down flat to lock and hold the load.

**Fig. 4**



To release, pull back on handle latch and rotate the handle approximately 180°.

# LOADING A PIPE

**Fig. 1**



Remove handle.

**Fig. 2**



Place strap under pipe by rolling pipe.

**Fig. 3**



Put Cricket on top of pipe and ratchet strap tightly

**Fig. 4**



Put handle through tube sleeve on underside of Cricket.

**Fig. 5**



Put handle in upright position. Using leverage, lift cart up and walk over pipe.

**Fig. 6**



**Fig. 7**



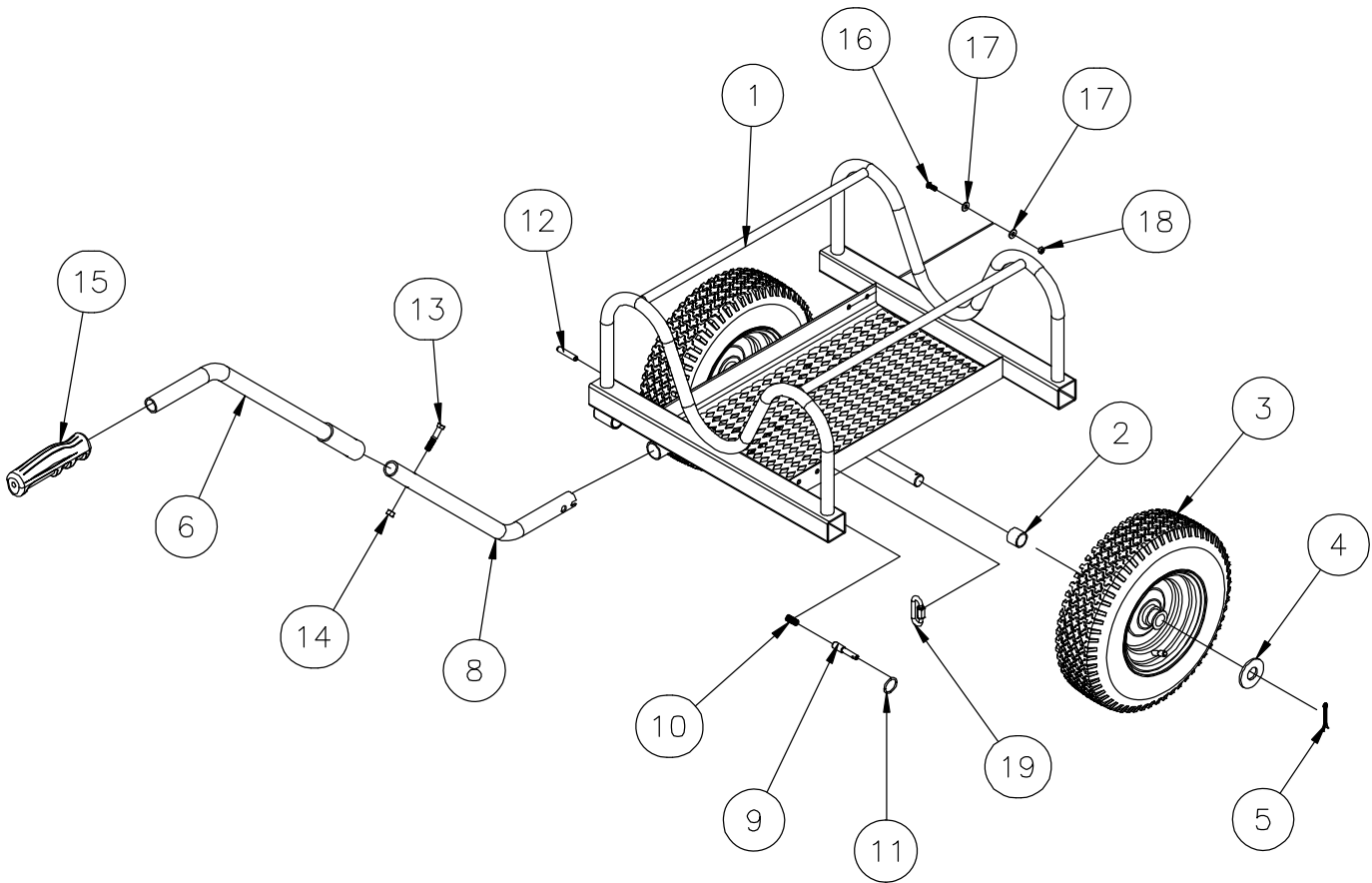
Continue to pull handle to flip Cricket onto its wheels. Rotate handle 180° as cart repositions.

**Fig. 8**



Replace handle to the original position and secure with plunger pin.

# 782699 – CRICKET ASSEMBLY



TIE-DOWN STRAP AND BUCKLE NOT SHOWN  
(ITEMS 20 AND 21)

|            |          |     |                                  |
|------------|----------|-----|----------------------------------|
| 21         | 779111   | 1   | TIE-DOWN STRAP AND HOOK          |
| 20         | 779110   | 1   | TIE-DOWN RACHET BUCKLE           |
| 19         | 779315   | 1   | RAPID LINK                       |
| 18         | 772076   | 1   | NUT, INSERT LOCK 1/4-20          |
| 17         | 773020   | 2   | WASHER, FLAT 1/4                 |
| 16         | 771046   | 1   | BHCS, 1/4-20 X 3/4               |
| 15         | 779112   | 1   | HANDLE GRIP, BLACK               |
| 14         | 772355   | 1   | NUT, INSERT LOCK 3/8-16          |
| 13         | 771112   | 1   | HHCS, 3/8-16 X 2                 |
| 12         | 774090   | 1   | PIN, ROLL 3/8 X 2                |
| 11         | 775110   | 1   | SPLIT RING, 1-1/4                |
| 10         | 776212   | 1   | SPRING, PLUNGER                  |
| 9          | 784510   | 1   | PLUNGER                          |
| 8          | 782734   | 1   | LOWER HANDLE, CRICKET            |
| 6          | 782733   | 1   | UPPER HANDLE WELDMENT, CRICKET   |
| 5          | 774049   | 2   | COTTER PIN, BRASS 3/16 X 1-1/2   |
| 4          | 773100   | 2   | WASHER, FLAT 1" USS              |
| 3          | 779107   | 2   | 480/400 X PNEUMATIC WHEEL & TIRE |
| 2          | 782738   | 2   | WHEEL SPACER, CRICKET            |
| 1          | 782730   | 1   | CRICKET FINAL WELDMENT           |
| Item       | Part No. | Qty | Description                      |
| Parts List |          |     |                                  |