

All Aluminum Gantries

SUMNER*
A Southwire Company



**5 Ton
5 Metric Ton
11,000 lbs**

**2 Ton
2 Metric Ton
4,400 lbs**

**3/4 Ton
3/4 Metric Ton
1,650 lbs**

*Chain hoist
not included*

✓ Light Weight

✓ Extremely Portable

✓ Minimum Parts

✓ Quick Height Adjustment

✓ Quick Set Up & Tear Down

✓ Adjustable Span

✓ Anodized Finish

✓ Pinch Point Free



GH 3/4T & GH2T Features

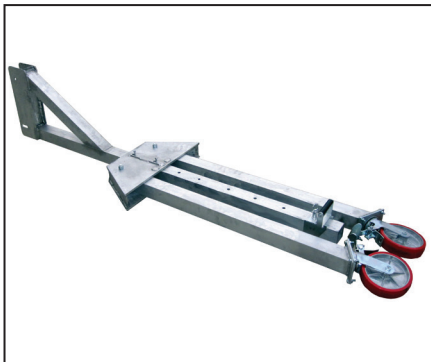
Innovative Mast Height Adjustment



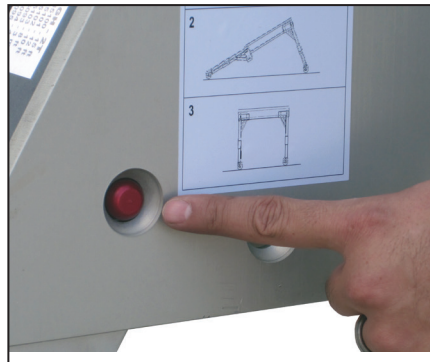
Adjust mast lifting handle with plunger pin to comfortable lifting position



Lift mast and remove quick-action mast locking pin



A-frame legs lock in closed position – no bolts



Push button leg lock release & locking



A-Frame legs lock in closed or opened position



No pinch points – spacer prevents pinched fingers

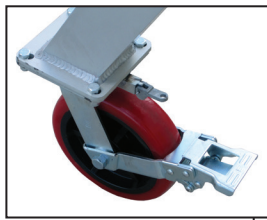


Tool-free A-Frame operation with instructions tube



Casters can be locked at 90 degree angle for easy transport

GH 3/4T & GH2T Features continued



8" caster with foot brake & four 90 degree locking positions



Optional 10" flat free, double-wheel castor has both position and wheels lock. Available on GH3/4T only.



GH2T Beam span adjustment on 10 ft (3 m) lengths & longer

GH5T

GANTRY SERIES

- ✓ All aluminum
- ✓ 5 metric ton / 11,000 lb
- ✓ Push button A-Frame leg lock & release
- ✓ Built in mast winch
- ✓ Caster with wheel & swivel lock



Built in mast winch raises and lowers beam with ease. Mast locking pin sets mast with no bolts.



Folding third mast leg makes moving A-Frame effortless.

Erecting GH5T



The GH5T comes with chain & ratchet to pull A-Frame legs together.



Ratchet 1st A-Frame bolt to beam.

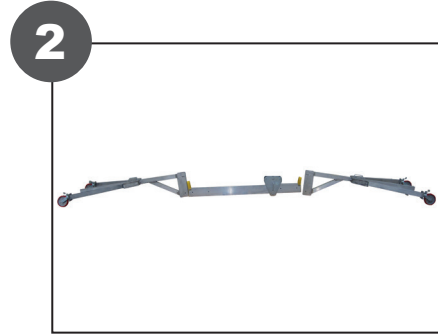


Ratchet 2nd A-Frame until it can be pushed into place.

GH 3/4T & GH2T Gantry Assembly



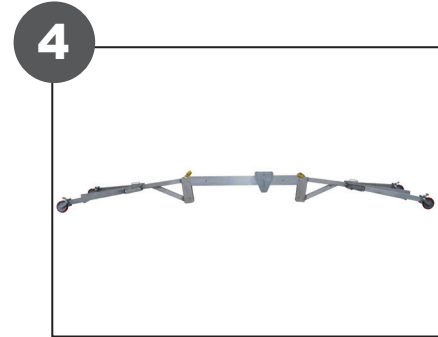
1
Open
"A" Frame



2
Lay out
beam
& "A"
Frames



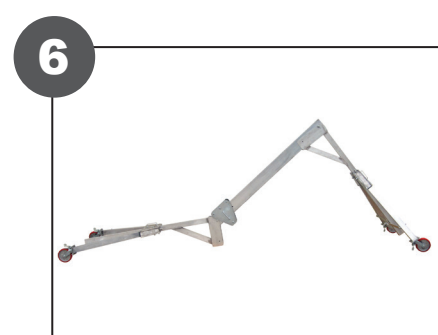
3
Attach
with one
bolt to
each
"A" Frame



4
Ready
to Lift



5
Raise
the
Frame



6
Raised
Frame

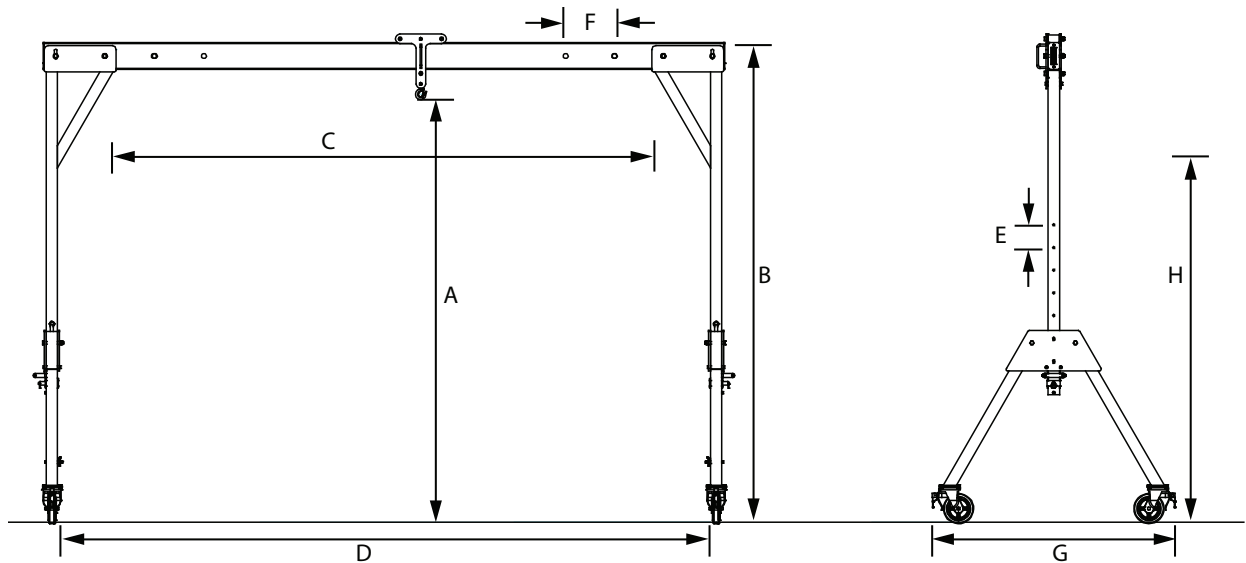


7
Raise
2nd
"A" Frame



8
Attach
2nd bolts
& tighten
all

Gantry Lift Dimensions



			A	B	C	D	E	F	G	H
			Max/Min Height to Lifting Eye	Max Height to top of Trolley	Max Working Span	Span Between Wheels	Height Adjustment	Span Adjustment	Max Width of "A" Frame	Max Height of "A" Frame
GH3/4T	785301	GH3/4T-15 (15' / 8" casters)	116"	128.75"	154" (391.2 cm)	172" (436.9 cm)	6" (15.2 cm)	9" (22 cm)	60.625" (154 cm)	100" (254 cm)
GH3/4T	785303	GH3/4T-12 (12' / 8" casters)	(294.6 cm)	(327.0 cm)	118" (299.7 cm)	136" (345.4 cm)				
GH3/4T	785305	GH3/4T-10 (10' / 8" casters)	86" (218.4 cm)		94" (238.8 cm)	112" (284.5 cm)				
GH3/4T	785300	GH3/4T-15 (15' / 10" casters)	118"	130.5"	154" (391.2 cm)	167.5" (425.5 cm)	6" (15.2 cm)	13" (33 cm)	60.625" (154 cm)	100" (254 cm)
GH3/4T	785302	GH3/4T-12 (12' / 10" casters)	(299.7 cm)	(331.5 cm)	118" (299.7 cm)	131.5" (334.0 cm)				
GH3/4T	785304	GH3/4T-10 (10' / 10" casters)	88"		94" (238.8 cm)	107.5" (273.1 cm)				
GH3/4T	785306	GH3/4T-10 (8' / 10" casters)	(223.5 cm)		70" (177.8 cm)	83.5" (212.1 cm)				
GH2T	785100	GH2T-15 (15' / 10" casters)	114"	128.5"	142" (360.7 cm)	181" (459.7 cm)	6" (15.2 cm)	13" (33 cm)	60.625" (154 cm)	100" (254 cm)
GH2T	785101	GH2T-12 (12' / 10" casters)	(289.6 cm)	(326.4 cm)	106" (269.2 cm)	144" (365.8 cm)				
GH2T	785102	GH2T-10 (10' / 10" casters)	84"		82" (208.3 cm)	120" (304.8 cm)				
GH2T	785103	GH2T-10 (8' / 10" casters)	(213.4 cm)		58" (147.3 cm)	96" (243.8 cm)				
GH5T	785805	GH5T (15' Beam)	168.5"	185"	132" (335.28 cm)	172" (436.88 cm)	6" (15.2 cm)	19" (48.26 cm)	75" (190.5 cm)	184" (375.9 cm)
GH5T	785806	GH5T (12' Beam)	(427.99 cm)	(469.9 cm)	96" (243.84 cm)	144" (365.76 cm)				

Gantries come with two A-Frames with casters, Trolley, Cross Beam and attaching hardware.

	Gantry Model	Weight		Beam Part #	Beam Model	Weight	
		lbs	kg			lbs	kg
785301	GH3/4T-15 (15' / 8" casters)	270.0	122.5	785320	15'	68.5	31.0
785303	GH3/4T-12 (12' / 8" casters)	258.0	117.0	785321	12'	55.0	24.9
785305	GH3/4T-10 (10' / 8" casters)	250.0	113.4	785322	10'	46.0	20.8
785307	GH3/4T-8 (8' / 8" casters)	242.0	109.8	785323	8'	37.0	16.7
785300	GH3/4T-15 (15' / 10" wheels)	274.0	124.3	785320	15'	68.5	31.0
785302	GH3/4T-12 (12' / 10" wheels)	262.0	118.8	785321	12'	55.0	24.9
785304	GH3/4T-10 (10' / 10" wheels)	254.0	115.2	785322	10'	46.0	20.8
785306	GH3/4T-8 (8' / 10" wheels)	246.0	111.6	785323	8'	37.0	16.7
785100	GH2T-15 (15' Beam)	323.0	146.5	785150	15'	82.0	37.1
785101	GH2T-12 (12' Beam)	307.0	139.2	785151	12'	65.6	29.7
785102	GH2T-10 (10' Beam)	296.0	134.2	785152	10'	54.7	24.8
785805	GH5T-15 (15' Beam)	689.0	312.5	785815	15'	125.0	57.0
785806	GH5T-12 (12' Beam)	664.0	301.2	785816	12'	100.0	45.0

15 ft. beam has two adjustment positions.

12 ft. & 10 ft. beam has one adjustment position.

8 ft. beam has no adjustment positions.

GH5T has no adjustment positions.



Sumner Manufacturing Co., LLC

USA

7514 Alabonson Road
Houston, Texas 77088
phone: 281.999.6900
fax: 281.999.6966

CANADA

75 Saltsman Drive, Unit 5
Cambridge, ON N3H 4R7
phone: 519.653.5300
fax: 519.653.5305

NETHERLANDS

Midden Engweg 21
NL-3882TS Putten
Netherlands
europeansales@sumner.com
phone: +31 (0) 85 489 0284

UNITED KINGDOM

Unit 3 Kempton Road
Keytec 7 Business Park
Pershore, Worcestershire
WR10 2TA, UK
phone: (44) 01386 556278
fax: (44) 01386 556776

For a full range of Welding Tools see our Welding Make-up Tools Catalog.

www.sumner.com