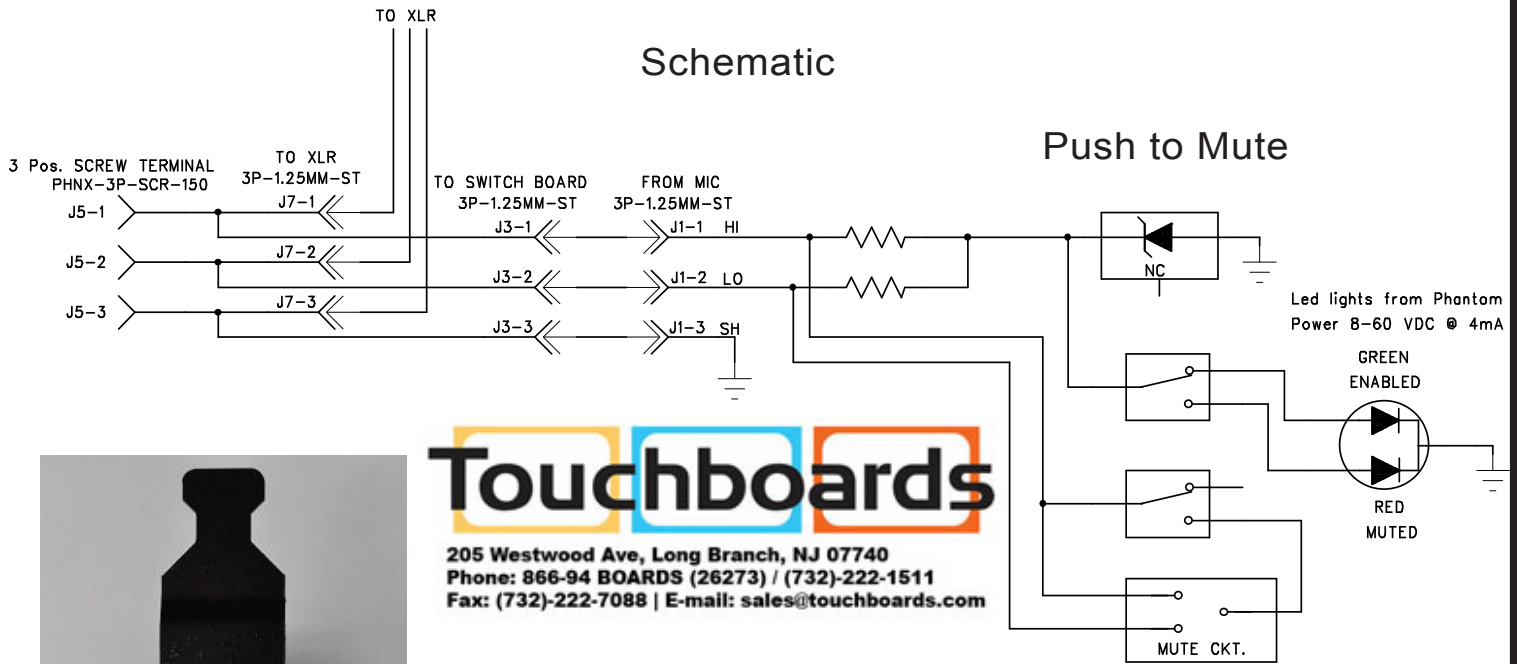


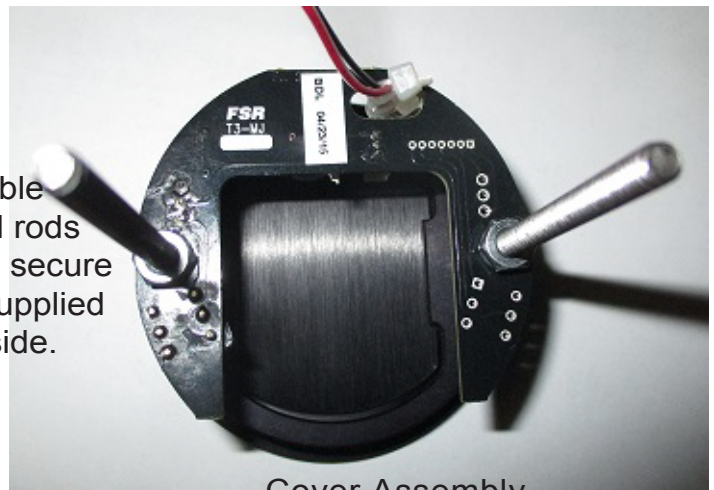
Schematic



205 Westwood Ave, Long Branch, NJ 07740
 Phone: 866-94 BOARDS (26273) / (732)-222-1511
 Fax: (732)-222-7088 | E-mail: sales@touchboards.com

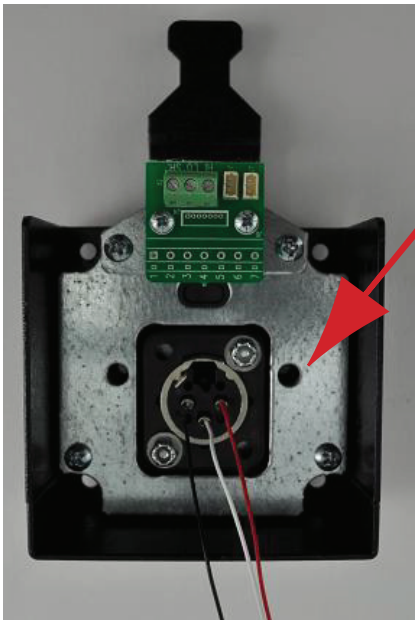


Insert wire harness into this hole.

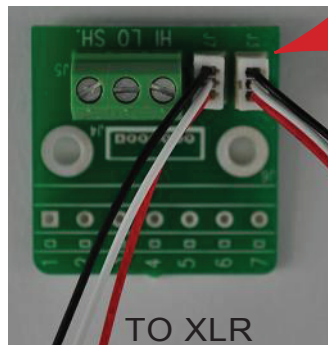


Cover Assembly

Install cover in the table by inserting threaded rods into these holes, and secure into place by using supplied nylon nuts on other side.



Connect the wire harnesses to these headers as shown.



TO SWITCH BOARD

FSR

244 BERGEN BLVD.
 W. PATERSON, NJ 07424
 TEL. (973) 785-4347

T3-MJ-1B WITH MUTE

PRODUCT:	T3-MJ-1B	PART#	17238-43
DRAWN BY:	AB	DATE:	10-27-2011
APPROVED BY:		DATE:	
DWG.#	C-1156A	REV.	PAGE OF

REV. LEVEL	REF. ECO	REV. DATE	APPROVED	DESCRIPTION