

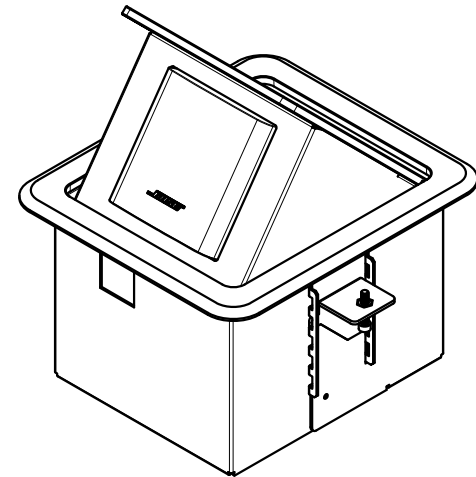
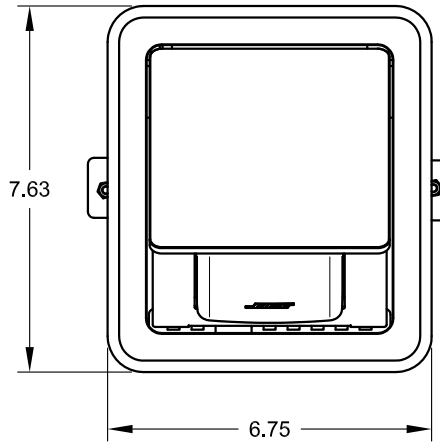
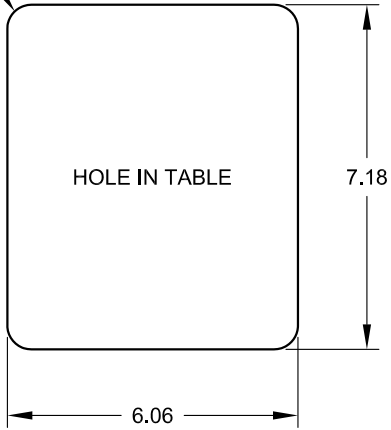
4

3

2

1

.25 R MIN
.63 R MAX

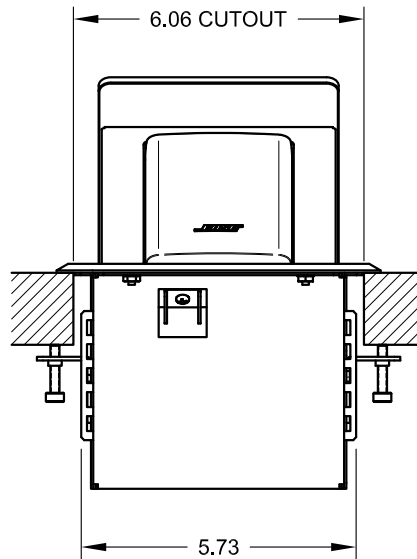
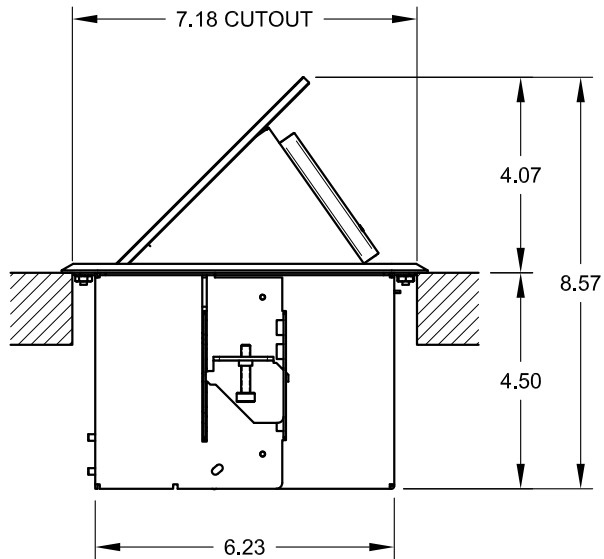


C

C

B

B



A

A

FSR inc.
 244 BERGEN BLVD.
 WOODLAND PARK, NJ 07424
 TEL (973) 785-4347
 FAX (973) 785-3318

TITLE: TB-BOSE		
DRAWN BY: JRE	DATE: 11/10/14	REV: -
DWG#: TB-BOSE	SCALE: -	

4

3

2

1