

TE63LL Outdoor Wall Mount

Tilting wall mount rated for outdoor use for Displays from 37" to 63"+ in Landscape Orientation

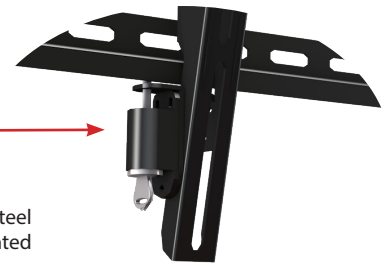
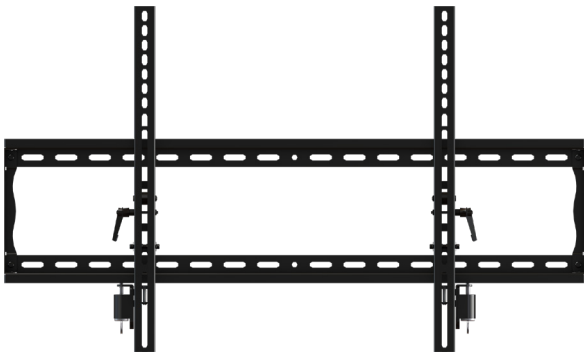


Weatherproof Construction and Design

- Protected from rust, corrosion, and all types of weather with Dacromet® coating
- One touch lock & key system for extra security
- Universal design fits many displays
- Compatible with displays up to 200 lb and with VESA patterns up to 800 x 400mm
- Lateral shift & tilting capabilities
- Locking tilt angle with pretensioned tilt mechanism



SKU	TV Size	Max VESA	Depth	Max Load
TE63LL	37-63"	800x400mm	2.20"	200 lb



DUAL KEYED LOCKS

Locking Brackets for High Security

Both hanger brackets come equipped with steel keyed locks to prevent theft and unwanted tampering



ADJUSTABLE TILT

Up to +15°/-5° Tilt

With more than 15° of forward tilt, the TE63LL can be positioned to a variety of angles

SLIM DESIGN

Less than 2.5" From Wall

Construction and design allows for displays to be held just 2.2" from the wall when mounted



TE63LL Outdoor Wall Mount

Tilting wall mount for outdoor use

for displays between 37" to 63"

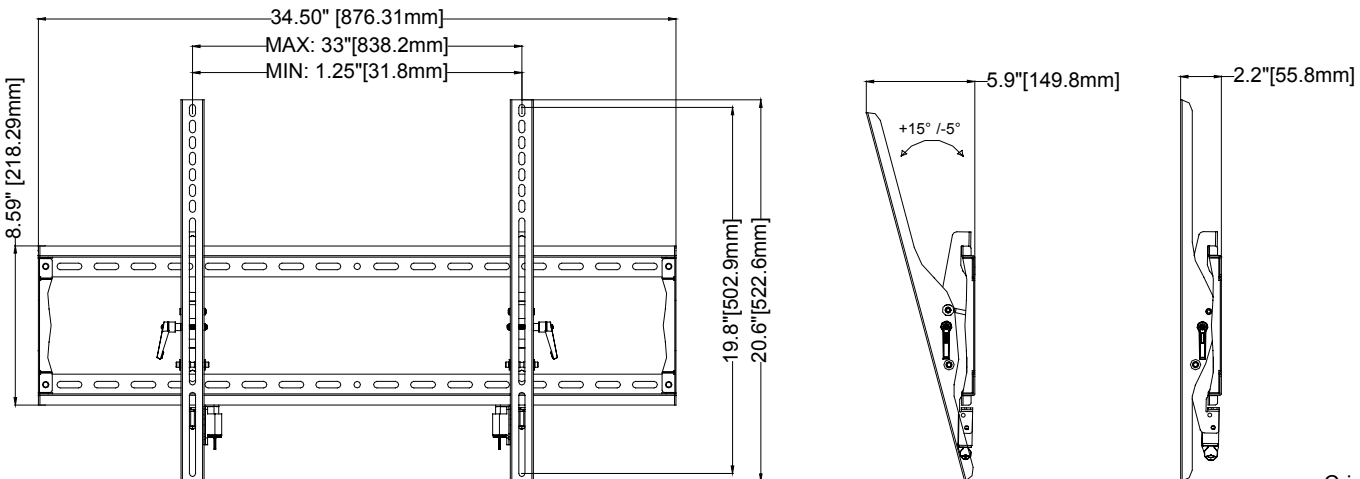
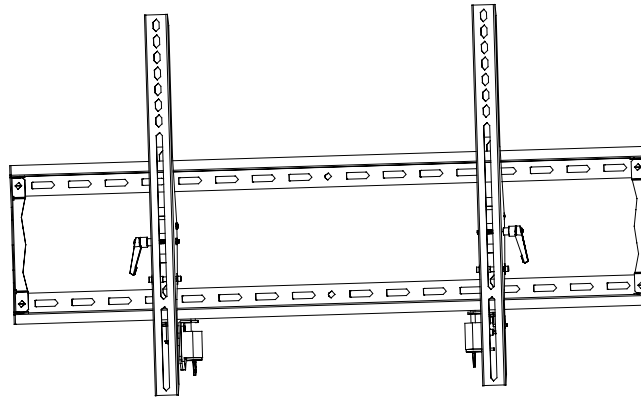
1-866-MOUNT-TV
www.crimsonav.com



Attribute	Value
TV size range	37" - 63"
Orientation	Landscape
Weight capacity	200lbs (91kg)
Max mounting pattern	838x522mm
Depth from wall	2.2"
Tilt	+15°/-5°
Construction	High-grade cold rolled steel/aluminum
Mounting surface	Structural concrete, cinder block, wood, or metal stud
Color	Black
Indoor/Outdoor	Outdoor
Warranty	Limited Lifetime
Product Weight	11lbs (4.98kg)

Designed for outdoor applications, the TE63LL stands up to all types of weather with a protective Dacromet® finish. Offering high functionality, aesthetics, and value, dual locks ensure easy security with the push of a key. Fits a wide variety of displays from 37-63" with through-cord cable management, slim design, and tilting capability for easy display placement and adjustment.

Maximum load rating: 200 lbs



Crimson AV LLC.
www.crimsonav.com