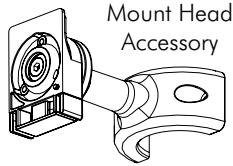
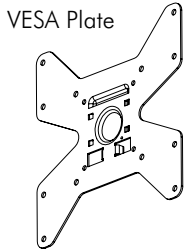


**Component Checklist**



**Hardware**



Security Screw (optional)



M6/8 Spacer (x4)



M4/5 Washer (x4)



5mm/3mm Allen Keys (x1 each)



M4/5 Spacer (x4)

**Display Mounting Screws**



M5x16/25mm (x4 each)



M4x16/25mm (x4 each)



M6x16/30mm (x4 each)

NOTE: Phillips-head screwdriver not supplied

**IMPORTANT INFORMATION:**

**! IMPORTANT - Install Telehook 1040 Back to Back Accessory as per Installation Instructions.**

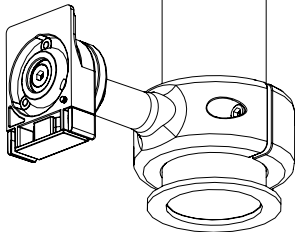
! This product is to be installed in conjunction with TH-1040-CTS and TH-1040-CTL Ceiling Mounts only.

! The manufacturer accepts no responsibility for incorrect installation.

**Step 1. Check Components**

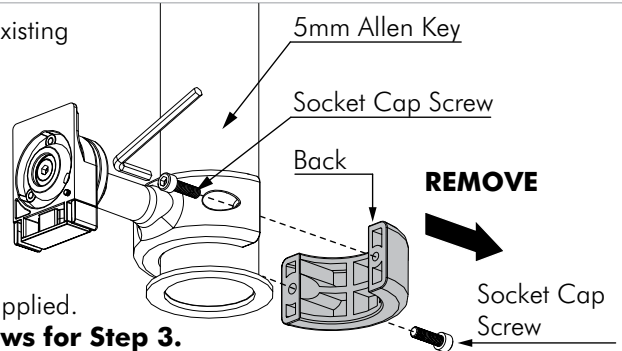
Check you have received all parts against the Component Checklist and Hardware above.

**Step 2. Remove Back of Existing Mount Head**



Fully installed TH-1040-CTS or TH-1040-CTL (VESA Plate removed).

Remove back half of the existing Mount Head by removing Socket Cap Screws (x2).

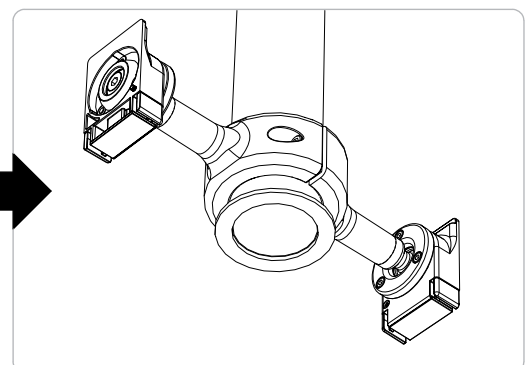
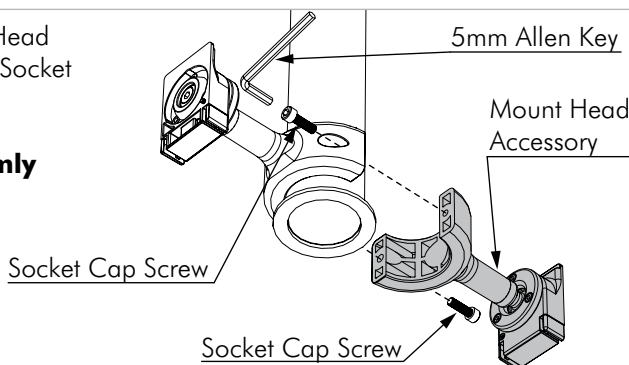


Use the 5mm Allen Key supplied. **Keep Socket Cap Screws for Step 3.**

**Step 3. Install Mount Head Accessory**

Attach the Mount Head Accessory with the Socket Cap Screws (x2).

Tighten screws **firmly** and **equally**.



**Installation Complete**

Refer to TH-1040-CTS/TH-1040-CTL Installation Instructions, Step 8. Attach VESA Plate to Display.

