

TH-1040-CT-DV

Touchboards

205 Westwood Ave, Long Branch, NJ 07740
Phone: 866-94 BOARDS (26273) / (732)-222-1511
Fax: (732)-222-7088 | E-mail: sales@touchboards.com

Technical Specification



Additional Mount Accessory for TH-1040-CTS and TH-1040-CTL

General Features

Compatibility:

This product is to be installed in conjunction with TH-1040-CTS and TH-1040-CTL Ceiling Mounts only.

TH-1040-CTS Ceiling Tilt Short Mount

TH-1040-CTL Ceiling Tilt Long Mount

Supports VESA mounting hole configurations:

75mm x 75mm

100mm x 100mm

200mm x 100mm

200mm x 200mm

Range of display adjustment:

+/-20 pan and tilt

360° rotation around the pole

360° portrait to landscape rotation

Maximum Load:

25kg (55lbs) per mount

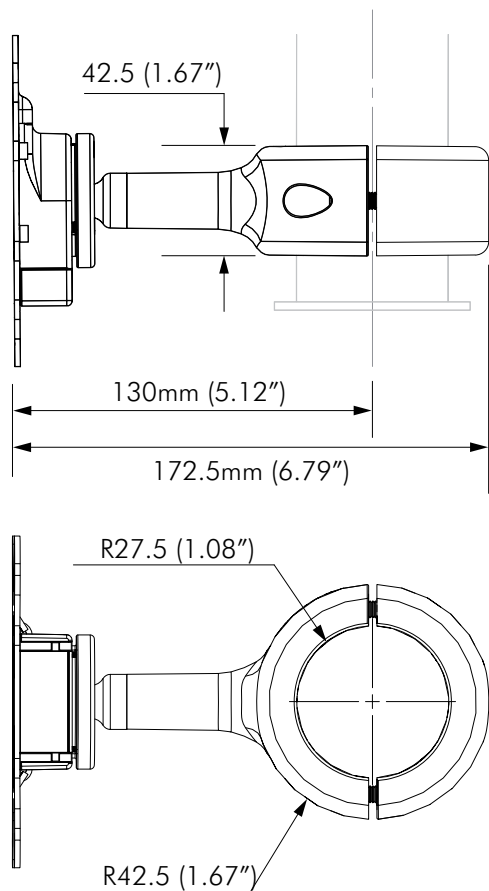
Maximum Pole Capacity:

50kg (110lbs) using TH-1040-CT-DV

Warranty: 10 years limited

Colour: Black

Dimensions



Note: Refer to the TH-1040-CTS and TH-1040-CTL Technical Specifications for pole dimensions.

