

TH-1040-CTS
TH-1040-CTL
TH-1040-CTSW
TH-1040-CTLW

Installation Instructions

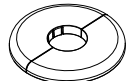


Ceiling Tilt Short Mount / Ceiling Tilt Long Mount

Component Checklist



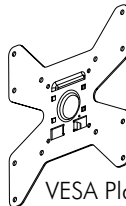
Mounting Plate



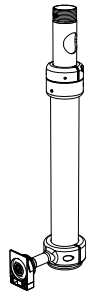
False Ceiling Cover



Mounting Plate Cover



VESA Plate



Pole Assembly

Hardware



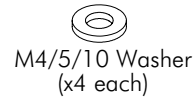
Coach Screw (x4)



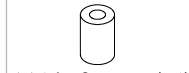
2.5/3/5mm
Allen Key



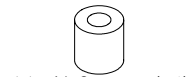
Nylon Anchor (x4)



M4/5/10 Washer
(x4 each)



M4/5 Spacer (x4)



M5/6 Spacer (x4)



(optional) Security Screw



Set Screw



M4x16/25mm (x4 each)



M5x16/25mm (x4 each)



M6x16/30mm (x4 each)

Display Mounting Screws

Tools Required:

- Power drill
- 7mm (1/4") drill bit
- 12mm (1/2") masonry drill bit
- Phillips head screw driver
- 17mm (11/16") Socket Wrench or Shifter

IMPORTANT INFORMATION:

! IMPORTANT - Install Telehook 1040 Ceiling Tilt Mount (Short/Long) as per Installation Instructions.

! This product supports a maximum load of 25kg (55lbs).

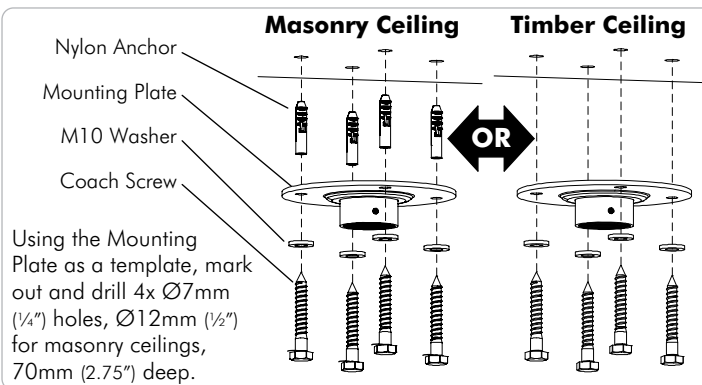
! This product supports VESA mounting hole configurations 75x75mm, 100x100mm, 200x100mm, 200x200mm.

! The manufacturer accepts no responsibility for incorrect installation.

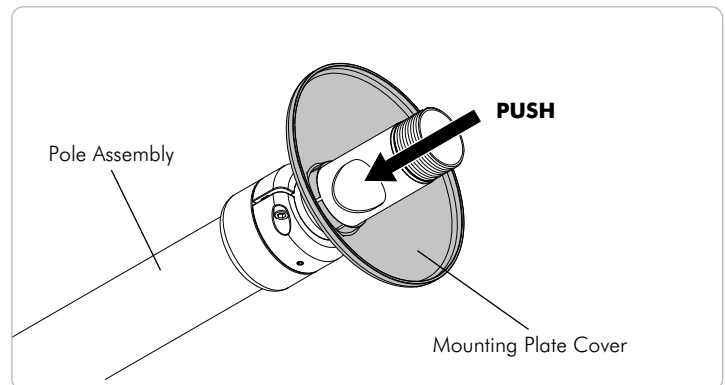
Step 1. Check Components

Check you have received all parts against the Component Checklist and Hardware above.

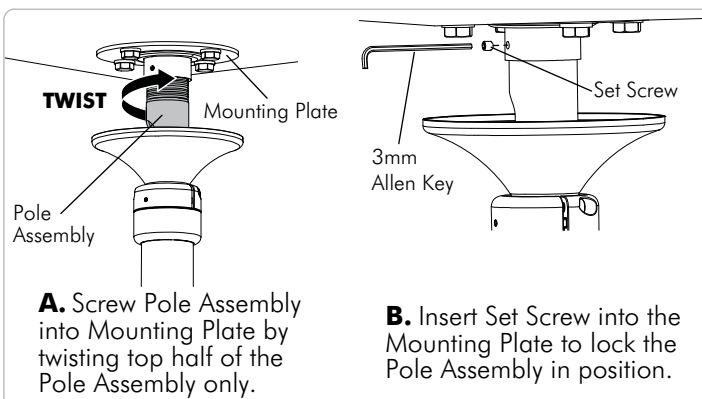
Step 2. Install Mounting Plate



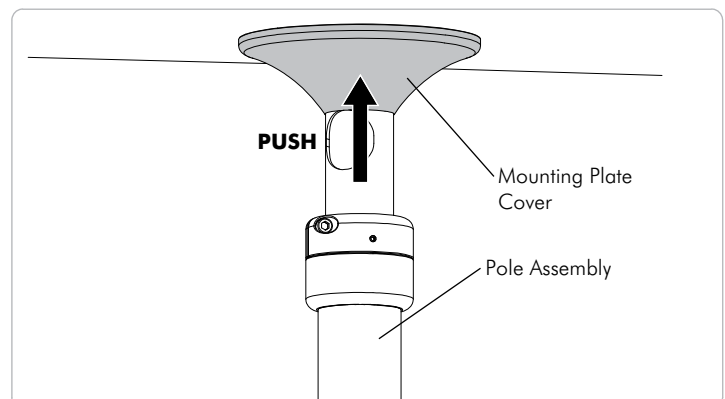
Step 3. Install Mounting Plate Cover



Step 4. Attach Pole Assembly to Mounting Plate

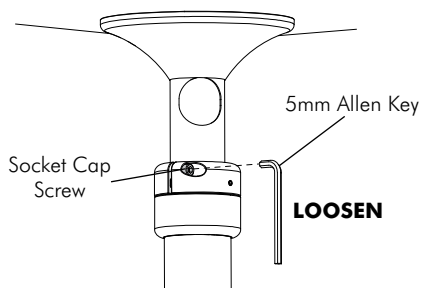


Step 5. Position Mounting Plate Cover

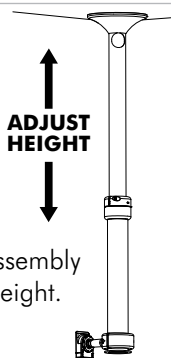


Step 6. Set Height of Pole

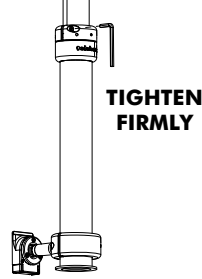
A. Whilst supporting the lower half of Pole Assembly loosen the Socket Cap Screws (x2).



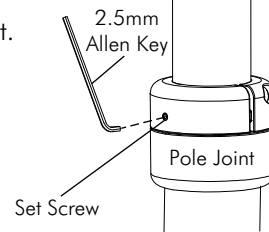
B. Slide Pole Assembly to the desired height.



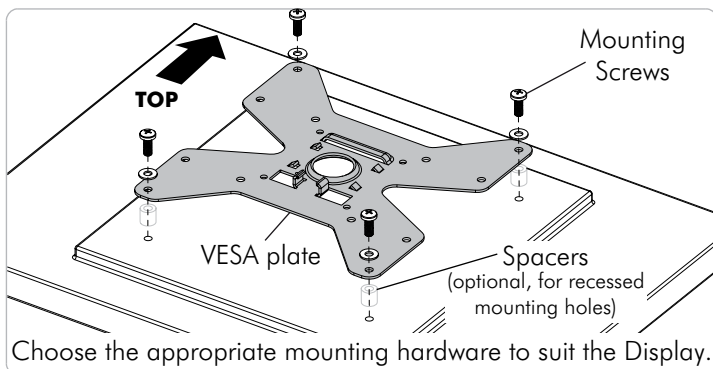
C. Tighten the Socket Cap Screws (x2) to set the height.



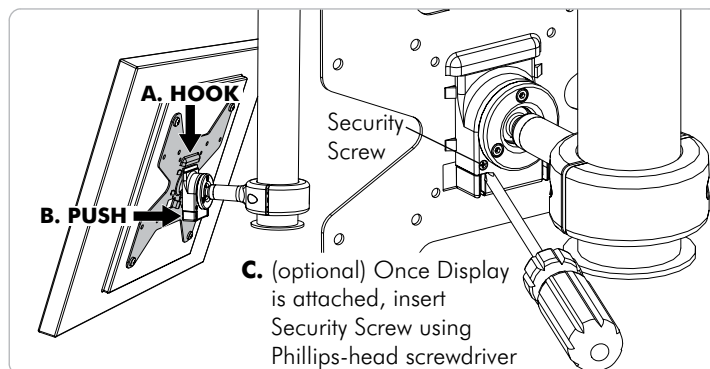
D. If necessary, centralise the Pole Joint by tightening the Set Screws (x2) to suit.



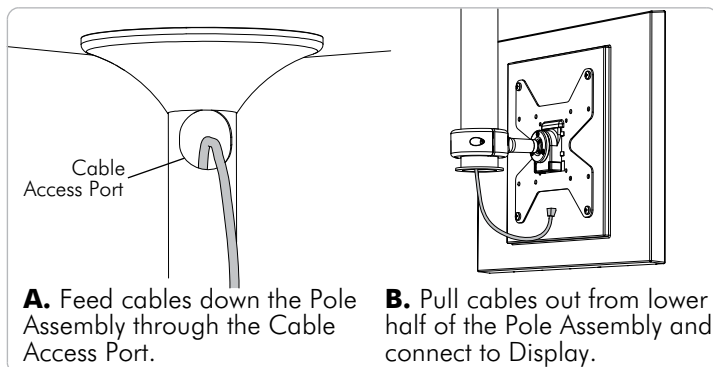
Step 7. Attach VESA Plate to Display



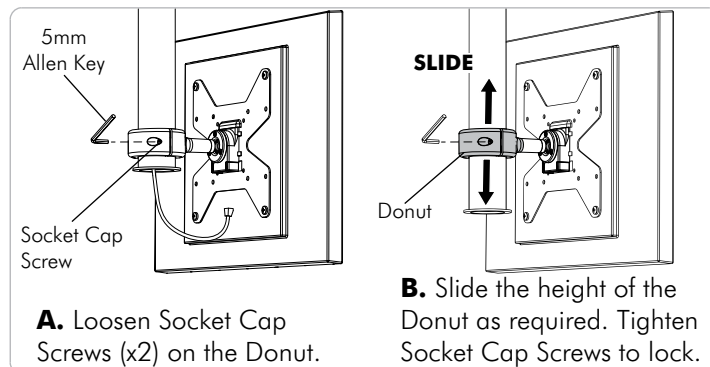
Step 8. Attach Display to Pole Assembly



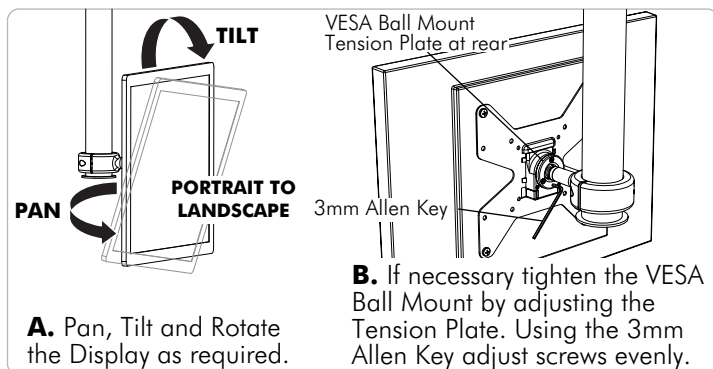
Step 9. Cable Management



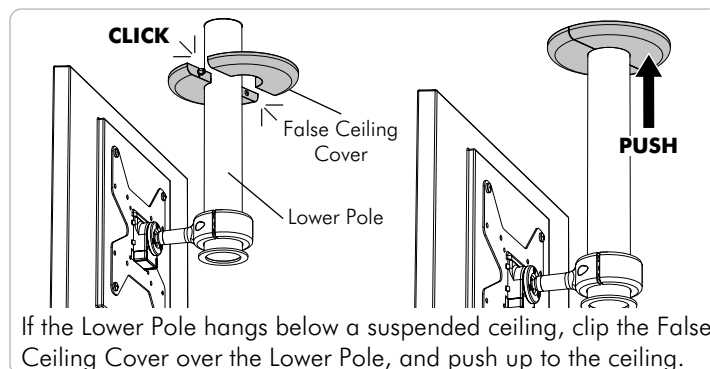
Step 10. Height Adjustment



Step 11. Final Adjustment



Step 12. Install False Ceiling Cover



Touchboards

205 Westwood Ave, Long Branch, NJ 07740
Phone: 866-94 BOARDS (26273) / (732)-222-1511
Fax: (732)-222-7088 | E-mail: sales@touchboards.com

atdec