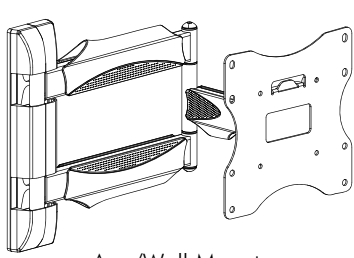


Component Checklist



Arm/Wall Mount



M5x85mm
Allen Key

10mm Spanner



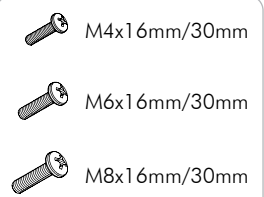
M10x60mm
Nylon Anchor (x4)



M13/M8.5
Spacer (4x)



M7x80mm
Coach Bolt (4x)



**Display Mounting
Screws (x4 each)**

Tools Required:

- Power drill
- 4.5mm (3/16") drill bit
- 10mm (25/64") masonry drill bit
- 12mm (0.47") socket wrench or shifter

IMPORTANT INFORMATION:

! IMPORTANT - Install Telehook 1040 Small-Medium TV Articulated Arm per Installation Instructions.

! This product supports a maximum load of 36kg (80lbs).

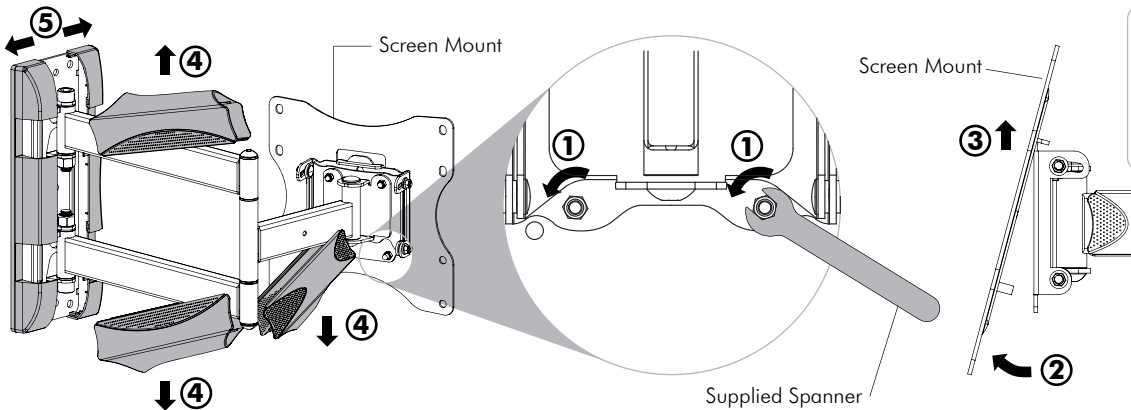
! This product supports VESA mounting hole configurations: 100x100mm, 100x200mm, and 200x200mm.

! The manufacturer accepts no responsibility for incorrect installation.

Step 1. Check Components

Check you have received all parts against the Component Checklist and Hardware above.

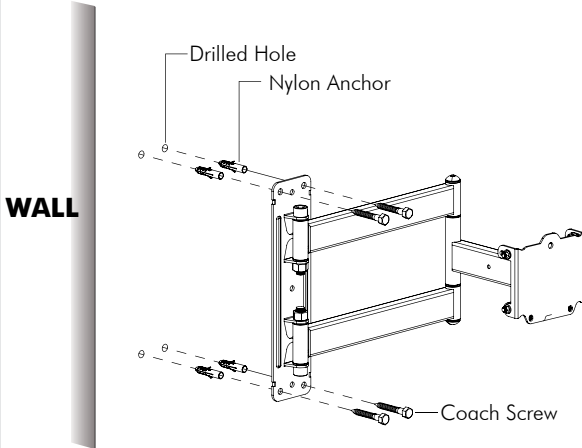
Step 2. Remove Screen Mount, Cable Clips, and Wall Mount Covers.



1. Remove screw nuts using the supplied spanner.
2. Push away Screen Mount.
3. Lift Screen Mount to remove.
4. Remove Cable Clips.
5. Remove Wall Mount Covers.

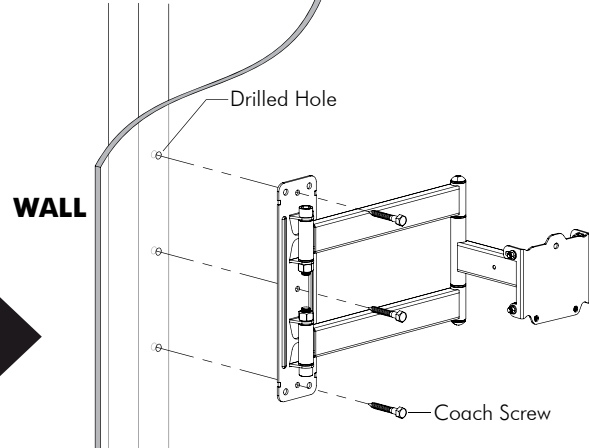
Step 3. Install Arm/Wall Mount to the Wall

Masonry Wall



- Drill three 10mm (25/64") diameter holes, 80mm (3.15") deep.
- Secure the mounting plate to the wall using the Coach Screws and Nylon Anchors supplied.

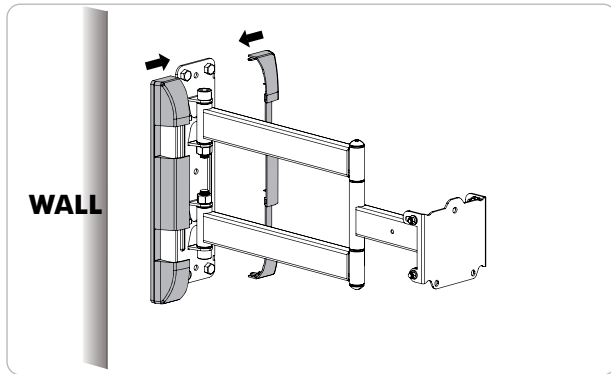
Timber Stud Wall



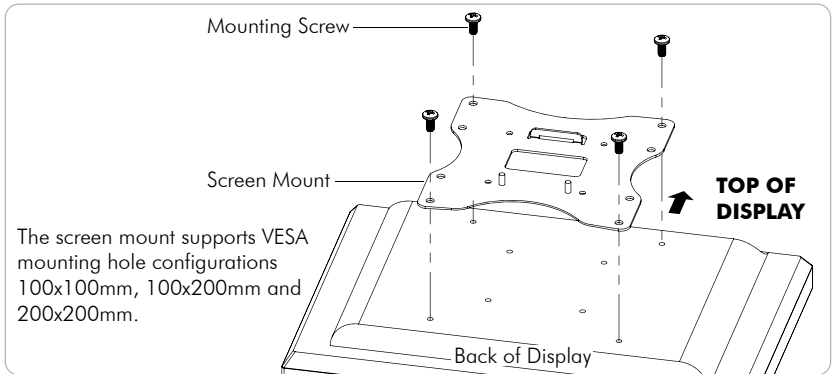
- Drill three 5mm (3/16") diameter holes, 80mm (3.15") deep.
- Secure the mounting plate to the wall using the Coach Screws supplied.

NOTE: Use a stud finder to accurately locate the centre of the stud. Ensure that all screws fixed securely into stud.

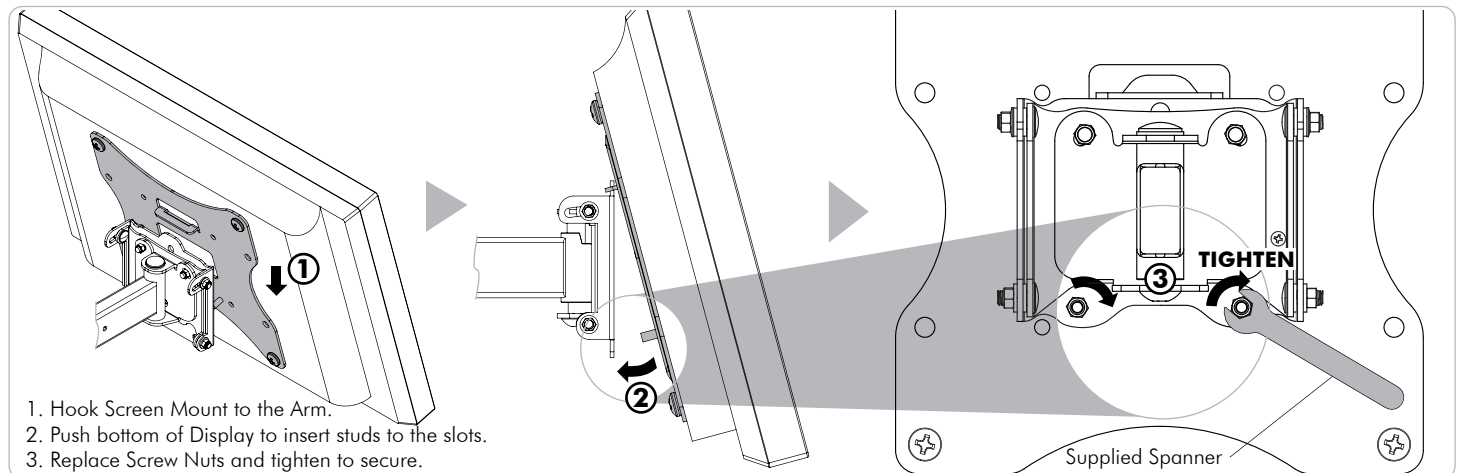
Step 4. Attach Wall Mount Covers



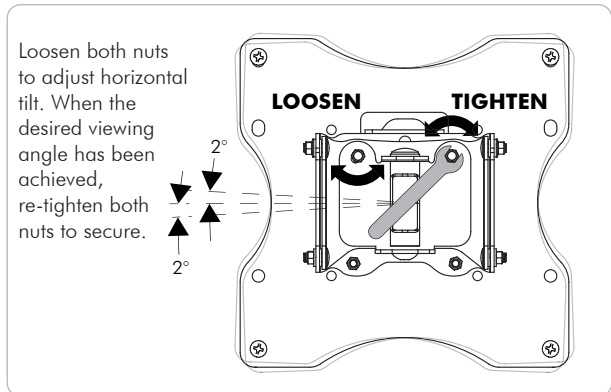
Step 5. Attach Screen Mount to Display



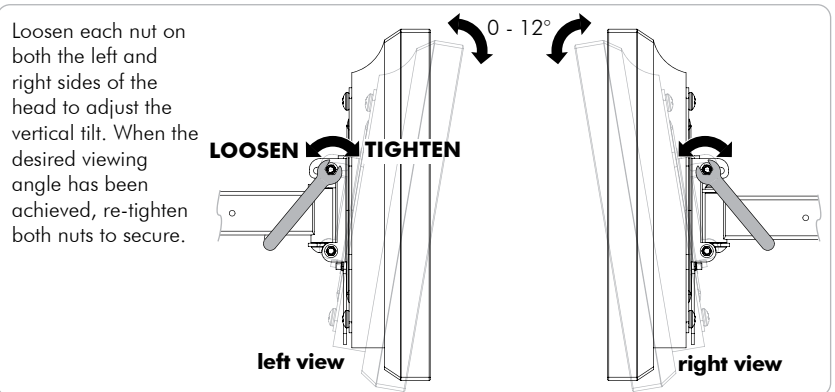
Step 6. Attach Display to the Arm



Step 7. Horizontal Adjustment

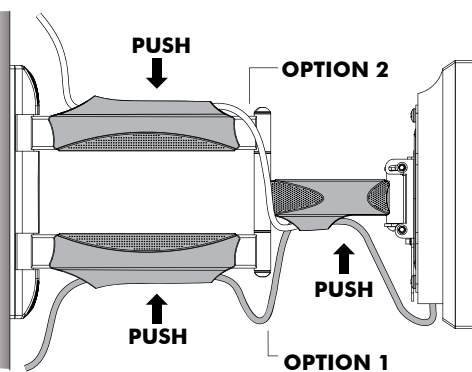


Step 8. Vertical Adjustment



Step 9. Cable Management

Re-attach Cable Management Clips, by pushing over arm section. Ensure sufficient slack is left around joints.



205 Westwood Ave, Long Branch, NJ 07740
 Phone: 866-94 BOARDS (26273) / (732)-222-1511
 Fax: (732)-222-7088 | E-mail: sales@touchboards.com

Installation Complete



No portion of this document or any artwork contained herein should be reproduced in any way without the express written consent of Atdec Pty Ltd. Due to continuing product development, the manufacturer reserves the right to alter specifications without notice. Published 01.09.15 ©