

telehook

Flat screen wall mount | fixed TH-2250-VF

Fits most displays from 20" to 47"



Mounting hole pattern:

- 50mm x 50mm
- 75mm x 75mm
- 100mm x 100mm
- 120mm x 180mm
- 200mm x 100mm
- 200mm x 200mm



Maximum weight carrying capacity:
50kg (110lbs)

The TH-2250-VF is the ultimate streamlined wall mount for screens weighing up to 50kg (110lbs). This sleek design holds the display just over half an inch from the wall, creating a seamless display that melts effortlessly into the decor, as if it were part of the wall itself. The TH-2250-VF has the added bonus of four security screws for theft resistance. It's easy to install and can support three different VESA mounting hole patterns, which gives you a much greater choice of display compatibility.



Product key features:

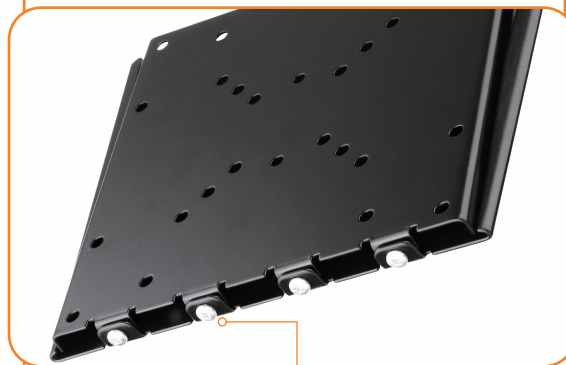
- Two-piece design for simple and easy installation
- Ultra-slim profile, only 16.5mm (0.65") from wall
- Can be mounted to dry wall without fixing to a stud
- Comes with all mounting hardware for masonry, timber stud and dry wall installation



2 piece design for fast & simple installation



Ultra slim profile



Security screws to enhance theft resistance

Can be mounted to dry wall

Choice of 6 mounting hole configurations



Atdec North America www.atdec.com
Atdec Global www.atdec.com.au

Product information, single unit

Load capacity	Material	Color
50kg (110lbs)	Steel	Black

Package information, single unit

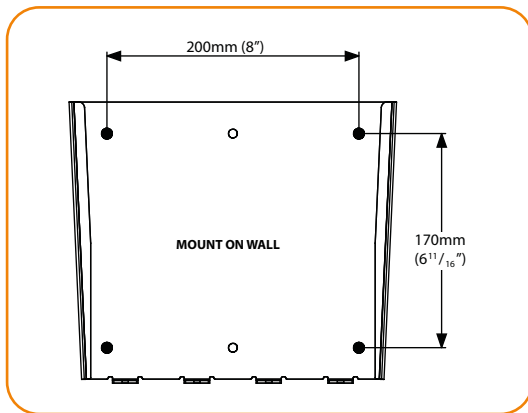
Size	Ship weight	UPC code	Contents
31.5cm x 24cm x 2cm (12.4" x 9.4" x 0.8")	2.1 (4.62lbs)	881493004764	All hardware required for installation supplied

Package information, master pack

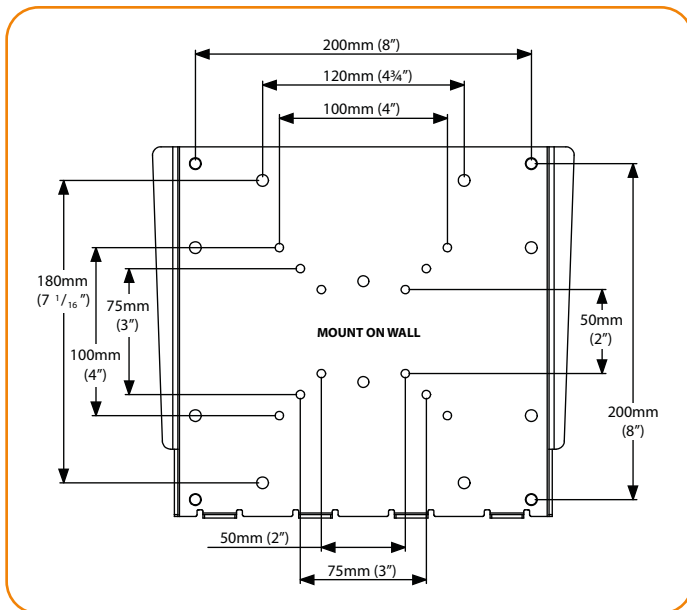
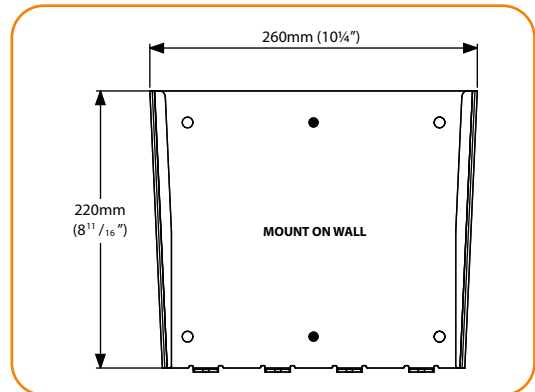
Size	Ship weight	UPC	Units per master pack
33cm x 24cm x 28cm (13" x 11" x 9.4")	22.7 (49.94lbs)	881493004832	10

Technical drawings

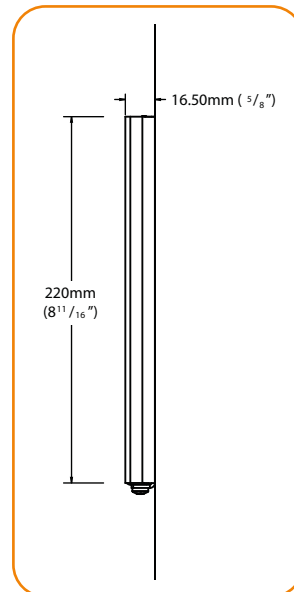
Mounting hole pattern for:
Dry Wall and Masonry Wall



Mounting hole pattern for:
Timber Stud



Display Plate



Distance from Wall (Side View)

