

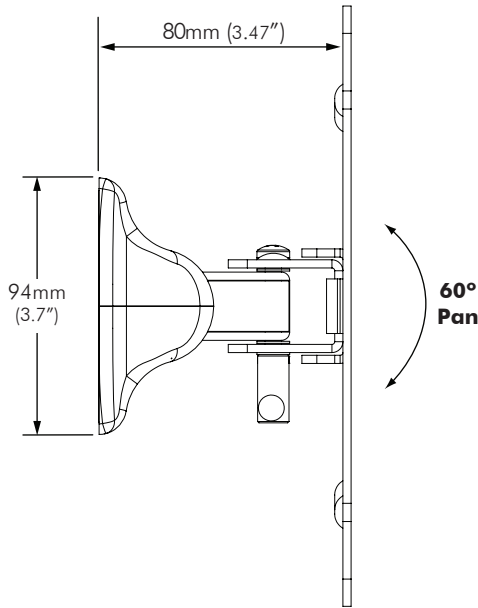
**Dimensions**

**Maximum Load:** 30kg (66lbs)

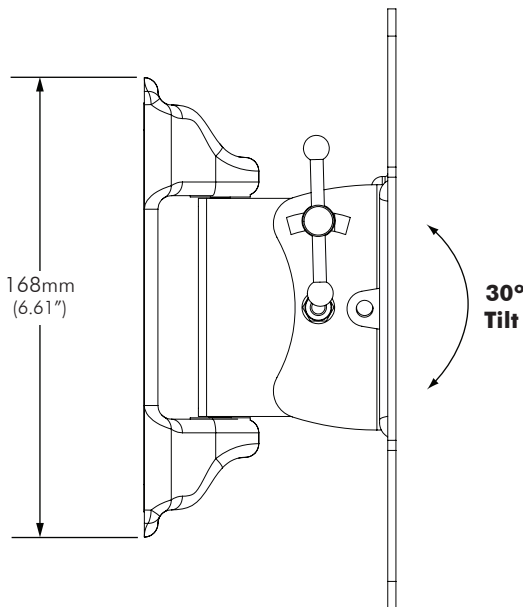
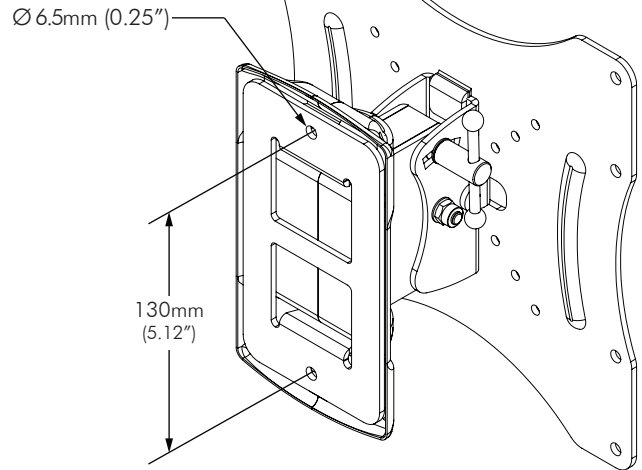
**Warranty:** 10 years limited

! This product is VESA compliant and supports Displays with the following VESA hole mounting configurations:

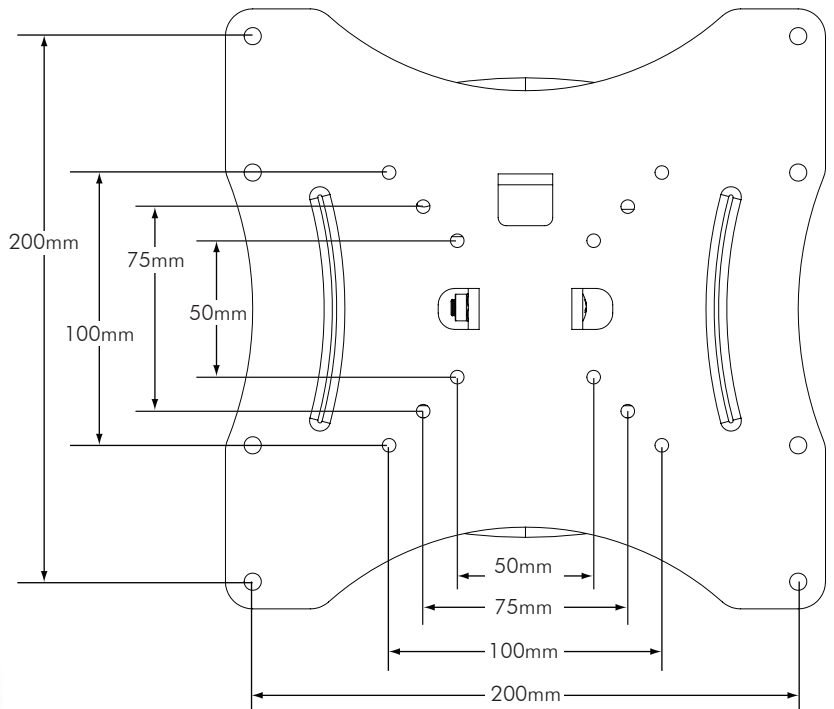
- 50 x 50mm
- 75 x 75mm
- 100 x 100mm
- 200 x 100mm
- 200 x 200mm



**Wall Mounting:**



**VESA Hole Configurations:**



205 Westwood Ave, Long Branch, NJ 07740  
 Phone: 866-94 BOARDS (26273) / (732)-222-1511  
 Fax: (732)-222-7088 | E-mail: sales@touchboards.com

