

TH-3060-UT

Touchboards

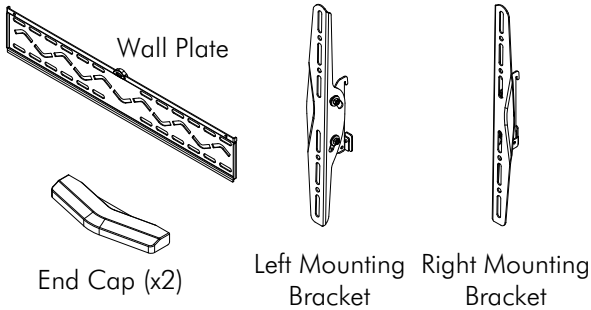
205 Westwood Ave, Long Branch, NJ 07740
Phone: 866-94 BOARDS (26273) / (732)-222-1511
Fax: (732)-222-7088 | E-mail: sales@touchboards.com

Installation Instructions

telehook

Flat screen wall mount | tilt

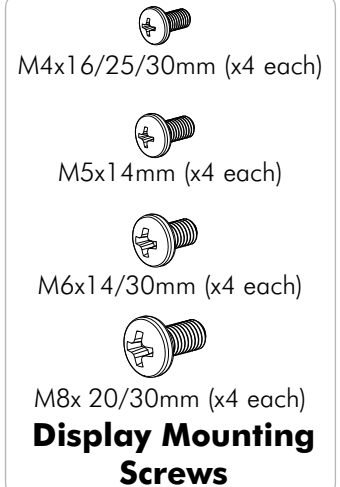
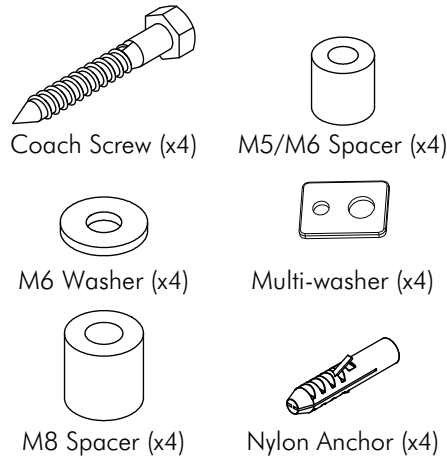
Component Checklist



Tools Required:

- Power Drill
- 5mm (0.2") drill bit
- Phillips Head screwdriver
- 10mm (0.39") masonry drill bit
- 10mm (0.39") Socket Wrench or Shifter

Hardware



IMPORTANT INFORMATION

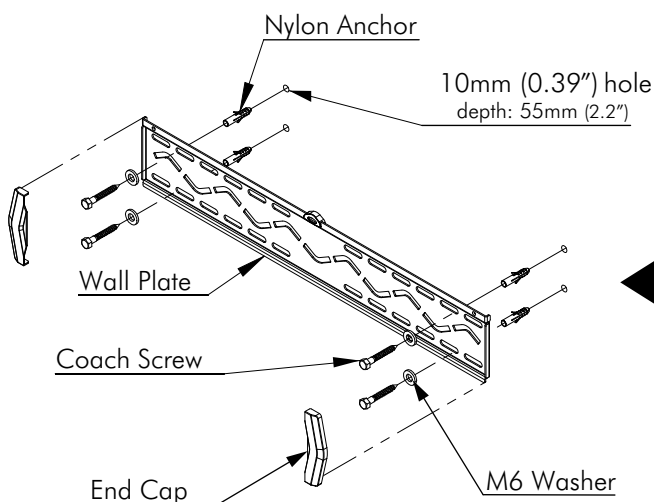
- ! **IMPORTANT - Install Telehook 3060 Wall Mount as per Installation Instructions.**
- ! This product supports a maximum load of 50kg (110lbs).
- ! This product only supports displays with mounting hole configurations from 100mm wide x 100mm high up to 600mm wide x 400mm high.
- ! The manufacturer does not accept responsibility for incorrect installation.
- ! Before installing this Telehook product, please check the display ventilation requirements with your LED/LCD manufacturer.

Step 1. Check Components

Check you have received all parts against the Component Checklist and Hardware above.

Step 2. Mounting the Wall Plate

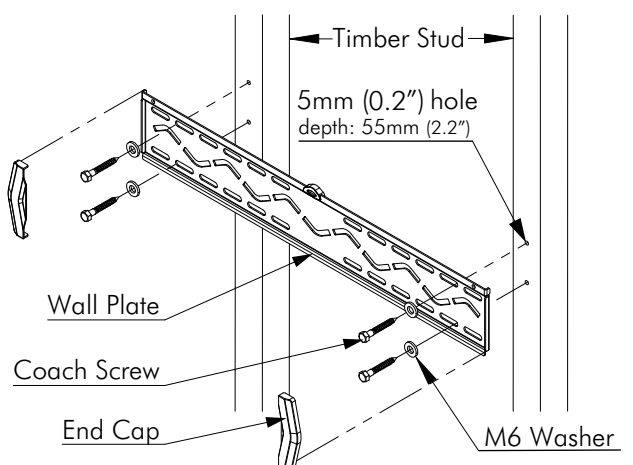
Masonry Wall



OR

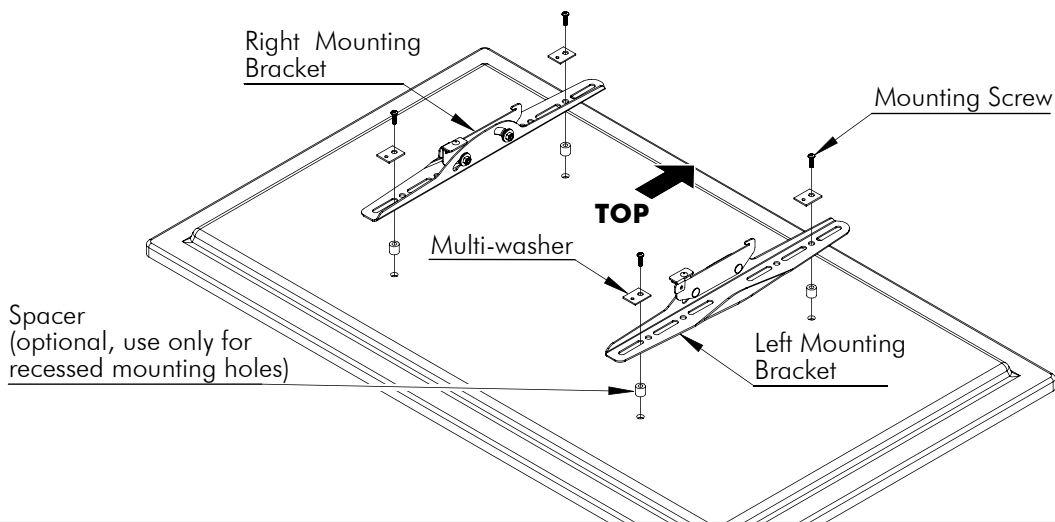
Timber Stud

Note: Use a stud finder to accurately locate the centre of the stud. Ensure that all screws fix securely into the stud.



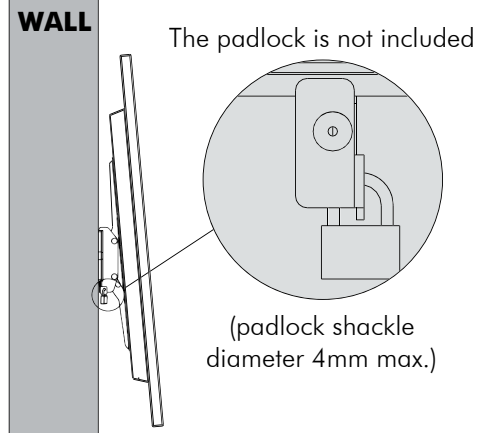
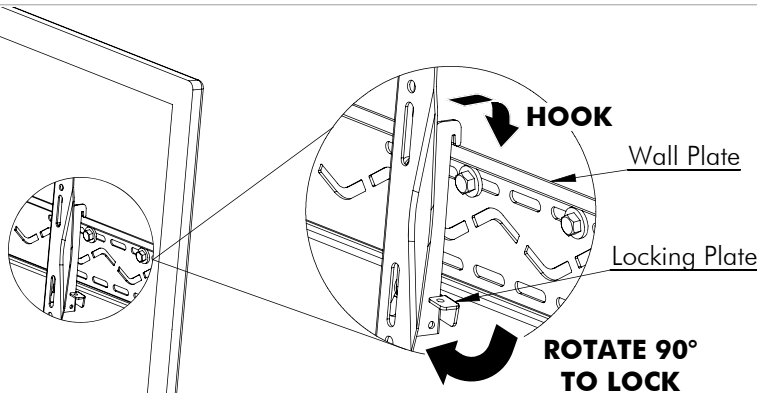
Tip: Use the built-in spirit level to ensure wall plate is horizontal

Step 3. Attaching Brackets to Display



Step 4. Attaching/Detaching Display to Wall Plate

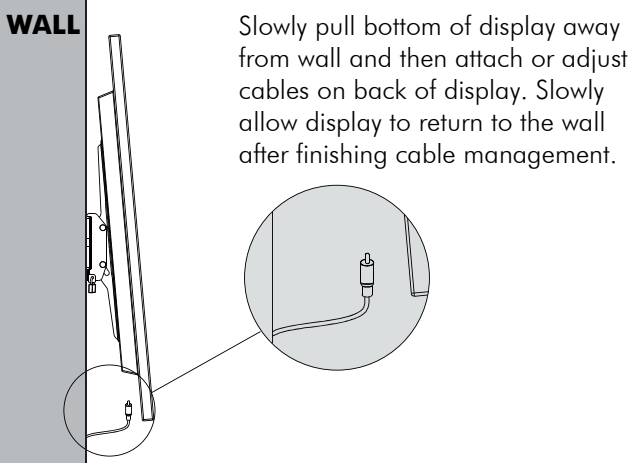
(2 people required)



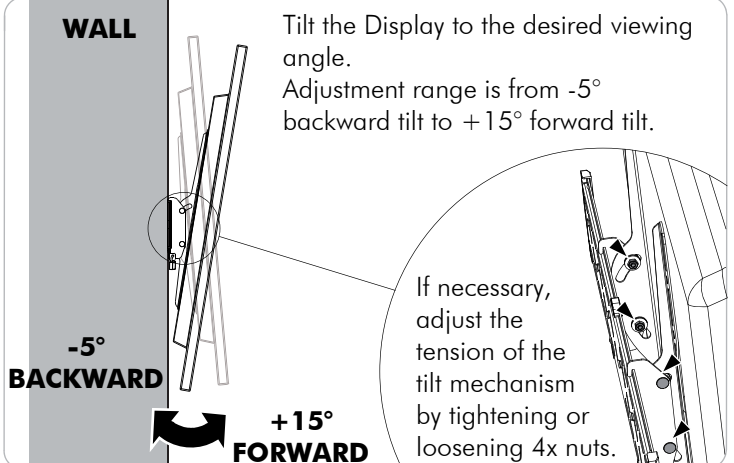
Detaching Display from Wall Plate:
Open the padlock. Rotate the Locking Plate 90° to unhook. Lift the Display away from the Wall Plate.

- A.** Hook the TV mounted display brackets over the top of the wall plate.
 - B.** Turn the locking plate downward to 90° and lock it with padlock.
- Note:** Make sure the TV is correctly hooked before releasing the Display.

Step 5. Cable Management



Step 6. Pitching Angle Adjustment



Installation Complete

