

TH-3070-CTL
 TH-3070-CTS
 TH-3070-CTLW
 TH-3070-CTSW
 TH-3070-CT-B2B

Technical Specification



Ceiling Tilt Short Mount / Ceiling Tilt Long Mount

General Features

Maximum Weight:
 65kg (143lbs)

Screen Mounting Compatibility:
 From minimum 200mm wide x 200mm high to maximum 800mm wide x 500mm high.

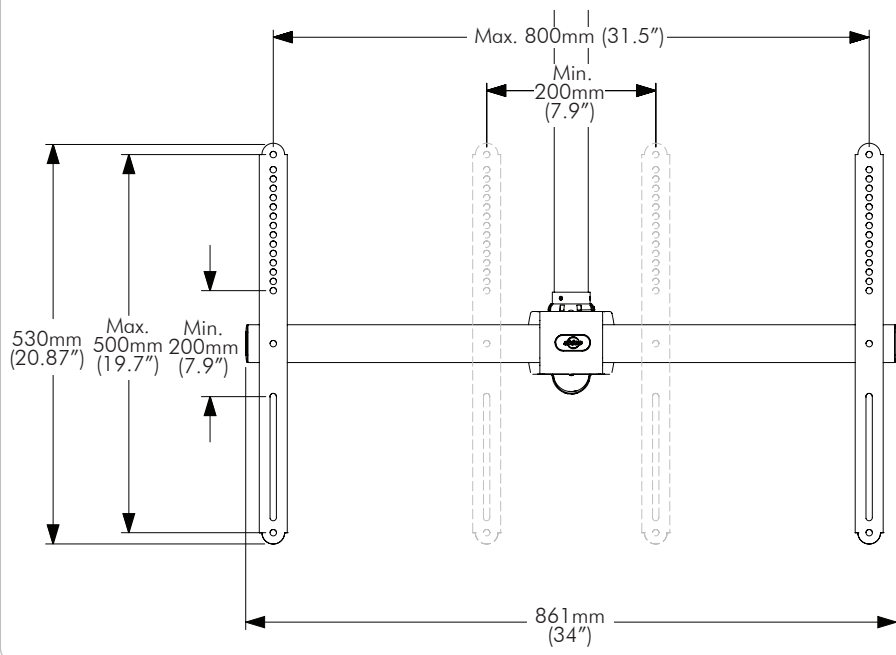
Tilt Adjustment:
 + 20°
 - 10°

Color:
 Black

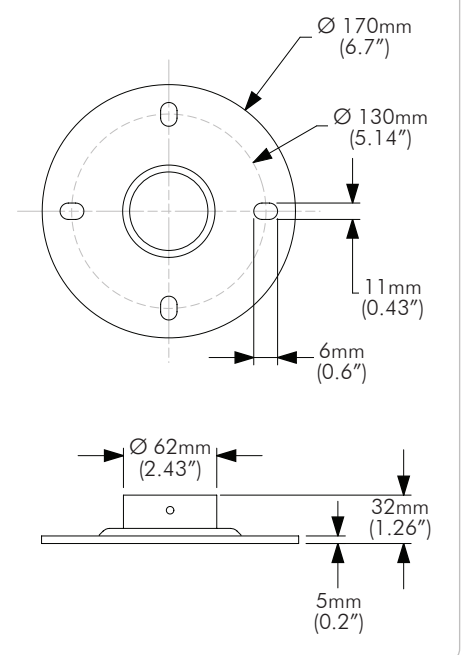
Warranty:
 10 years limited

Dimensions

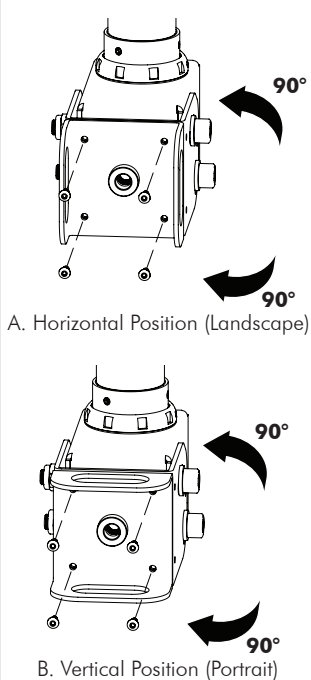
Screen Mounting Adjustment



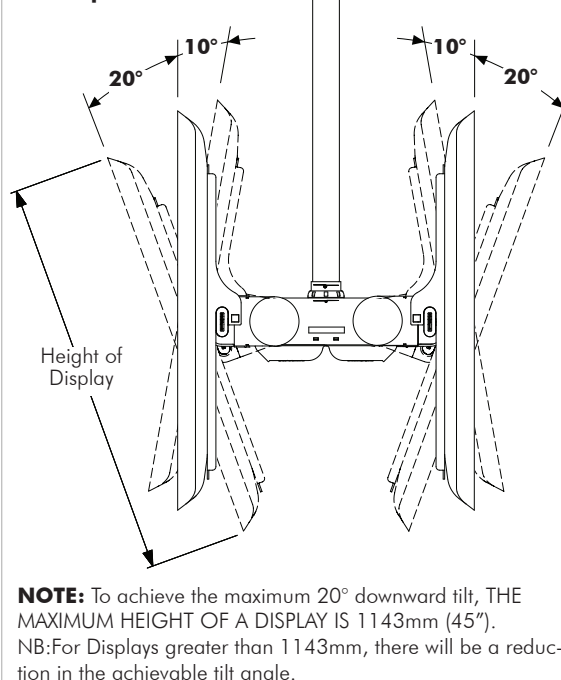
Mounting Plate



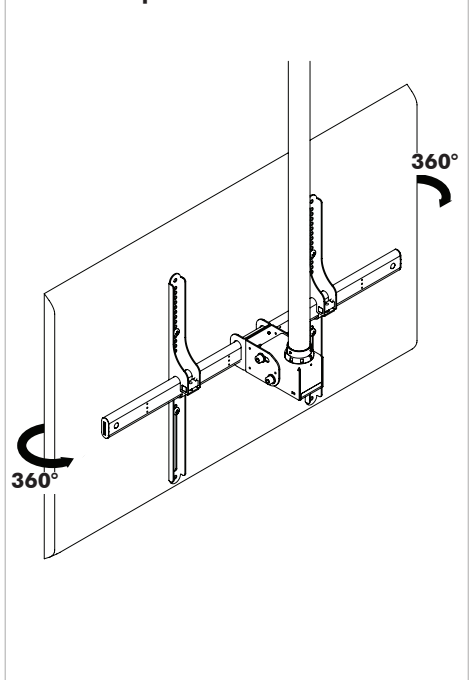
Rail Mount Orientation

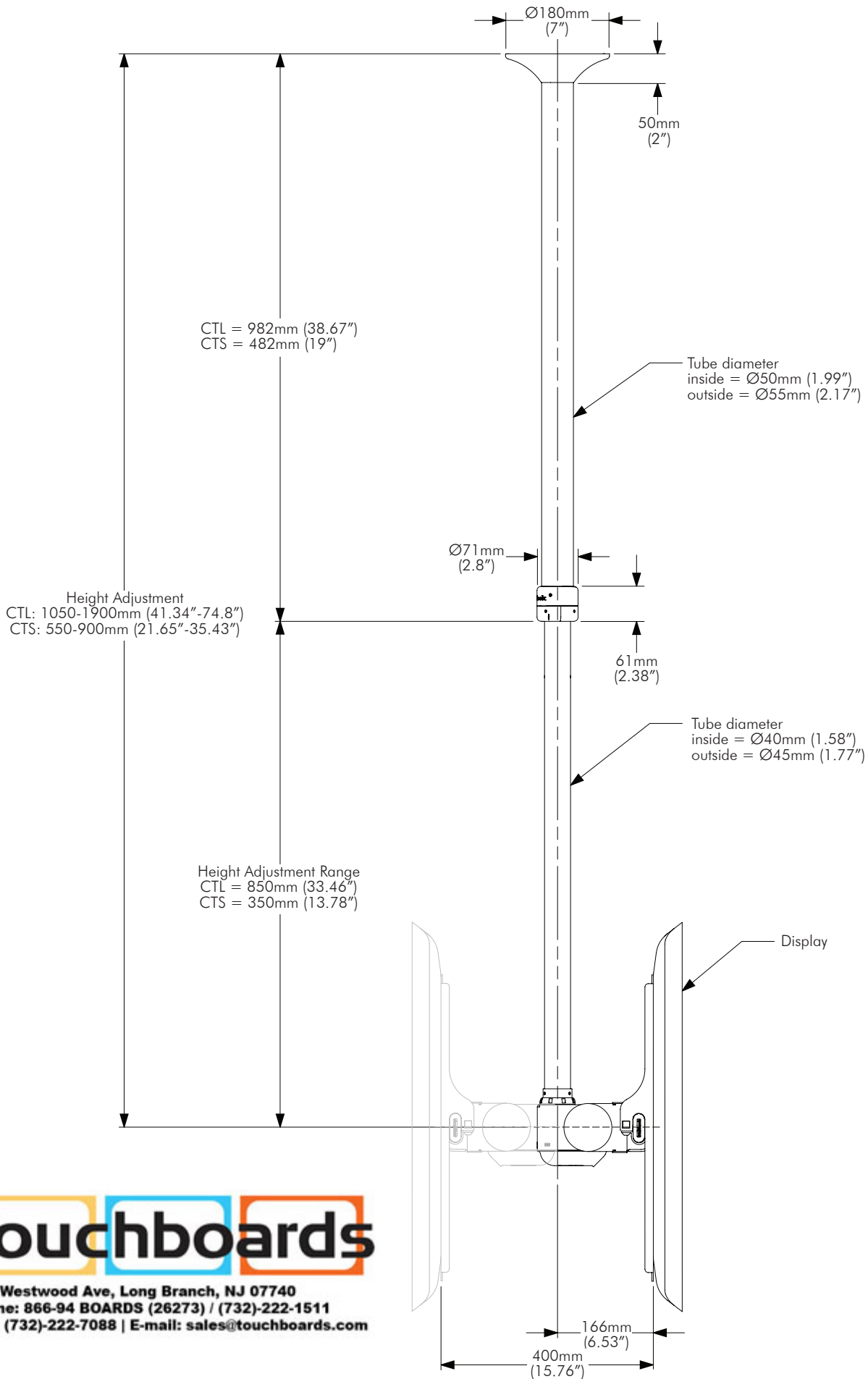


Tilt Adjustment



Rotation Adjustment





Touchboards

205 Westwood Ave, Long Branch, NJ 07740
 Phone: 866-94 BOARDS (26273) / (732)-222-1511
 Fax: (732)-222-7088 | E-mail: sales@touchboards.com



No portion of this document or any artwork contained herein should be reproduced in any way without the express written consent of Atdec Pty Ltd. Due to continuing product development, the manufacturer reserves the right to alter specifications without notice. Published 02.06.14 ©