



Flat screen portrait wall mount | Flush TH-3070-UFP

The Telehook TH-3070-UFP is a dedicated portrait orientation wall mount for medium to large displays. It is compatible with a range of portrait displays thanks to its universal mounting hole pattern of 75mm to 600mm wide and 100mm by 410mm high. A theft deterrent design and lockable security bar combined with a quick and simple installation process makes it the perfect mounting solution for digital signage applications. This mount supports your display just 33mm (1.2") from the wall for a low profile look that ensures your digital content is presented in a clean, elegant and professional manner.



Mounting hole pattern:
from 75mm to 600mm wide
from 100mm to 410mm high

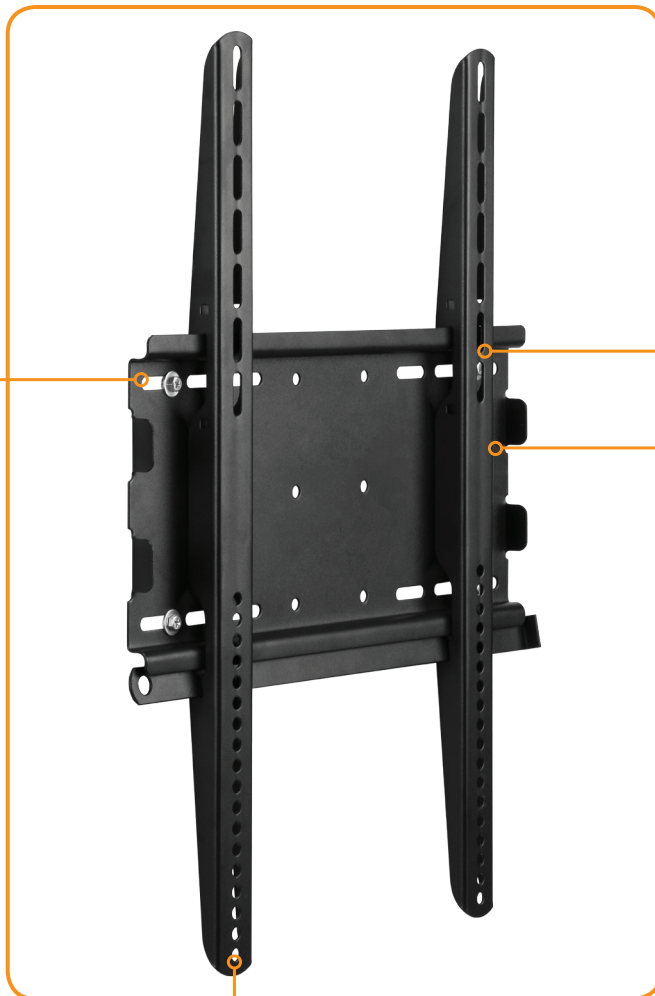


Maximum weight carrying capacity:
75kg (165lbs)



Product key features:

- Dedicated portrait display orientation
- Fast and simple installation
- The perfect solution for digital signage applications
- All mounting hardware for masonry and timber stud installation included



Allows for both Pre and Post installation adjustments

Dedicated portrait display orientation

Display sits 33mm (1.2") from wall

Theft deterrent design with lockable security bar (requires small padlock not supplied)



Universal VESA mounting hole pattern



Atdec Global www.atdec.com.au
Atdec North America www.atdec.com

Product information

Product Code	Load capacity	Material	Colour
TH-3070-UFP	One display up to 70kg (154lbs)	Steel	Black

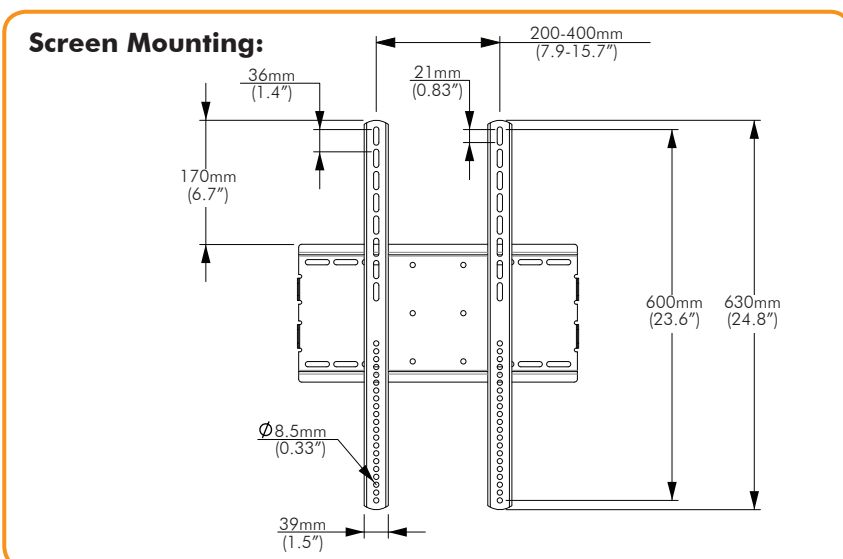
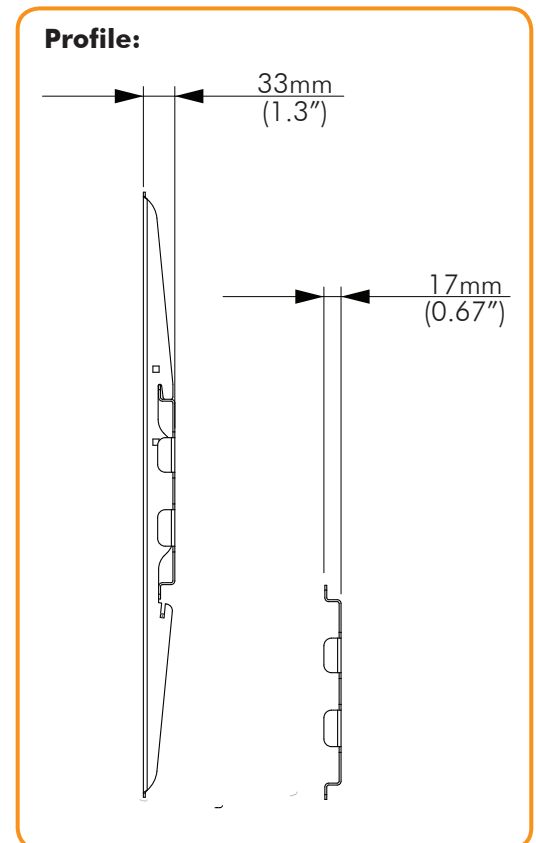
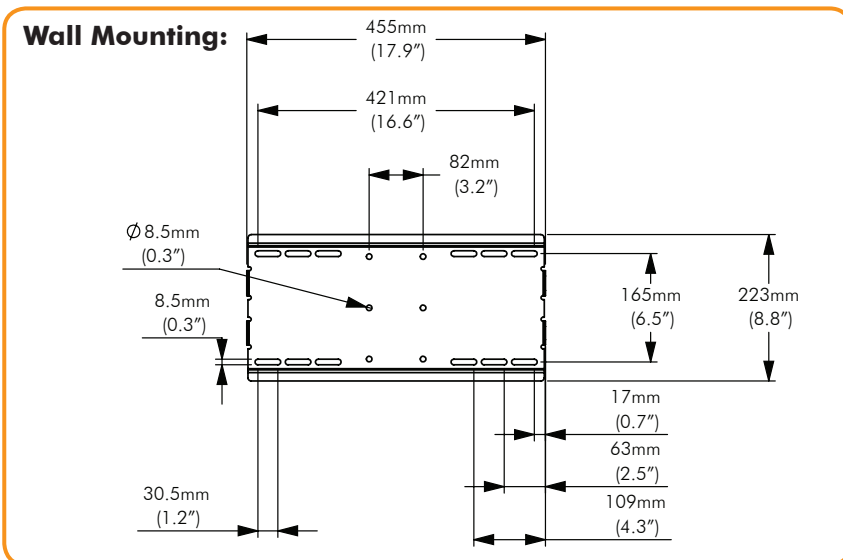
Package information, single unit

Size	Ship weight	UPC code	Contents
71cm x 24cm x 6.5cm (28" x 9.4" x 2.6")	3.8kg (8.36lbs)	881493008458	All hardware required for installation supplied

Package information, master pack

Size	Ship weight	UPC code	Units per master pack
72.5cm x 28cm x 25.5cm (28.5" x 11" x 10")	16kg (35.2lbs)	881493008465	4

Technical drawings



Atdec mounts are designed, developed and tested in Australia. While all efforts have been made to ensure the information in this brochure was correct as of the date of printing, we reserve the right to change specifications without notice. Please refer to the website for our full range along with the latest details on specifications, compatibility and dealer location. Atdec and Telehook are registered trademarks with all rights reserved. Copyright January 2014.



Atdec Global www.atdec.com.au
Atdec North America www.atdec.com