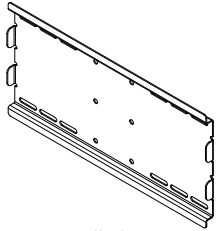
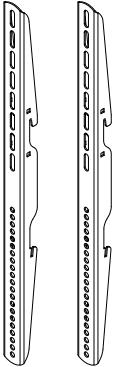


Component Checklist




Wall Plate



Mounting Brackets (pair)


Tools Required:

- Power Drill
- 4.5mm(0.18") Drill Bit
- 10mm(0.39") Masonry Drill Bit




Security Bar


HARDWARE



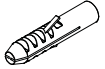
M6 Coach Bolt (x4)




M6 Washer (x4)




M5x14mm



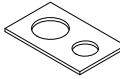
Nylon Anchor (x4)




Big/Small Spacer (x4/x8)



M6x14mm/30mm



Rectangular Washer (x4)



M8x20mm/30mm

Display Mounting Screws (x4 each)

IMPORTANT INFORMATION:

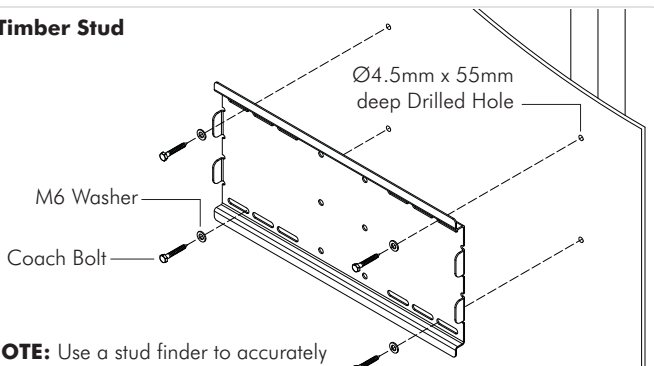
- ! **IMPORTANT - Install Telehook Flat Screen Portrait Wall Mount as per installation instruction.**
- ! This product supports a maximum load of 70kg (154lbs.).
- ! This product supports Screen Mounting Hole Configurations: From 200mm to 600mm wide and from 200mm to 400mm high.
- ! The manufacturer accepts no responsibility for incorrect installation.

Step 1. Check Components

Check you have received against the component checklist and hardware above.

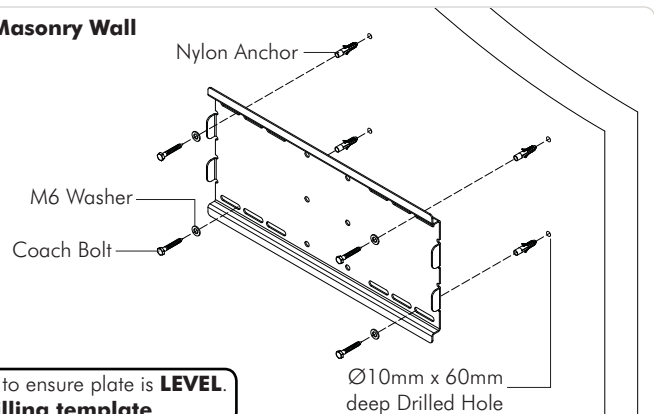
Step 2. Attach Wall Plate to the Wall

Timber Stud



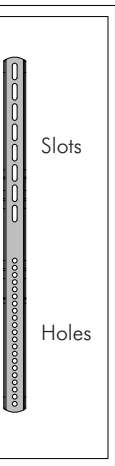
NOTE: Use a stud finder to accurately locate the center of the stud. Ensure that all screws fix securely into the stud.

Masonry Wall



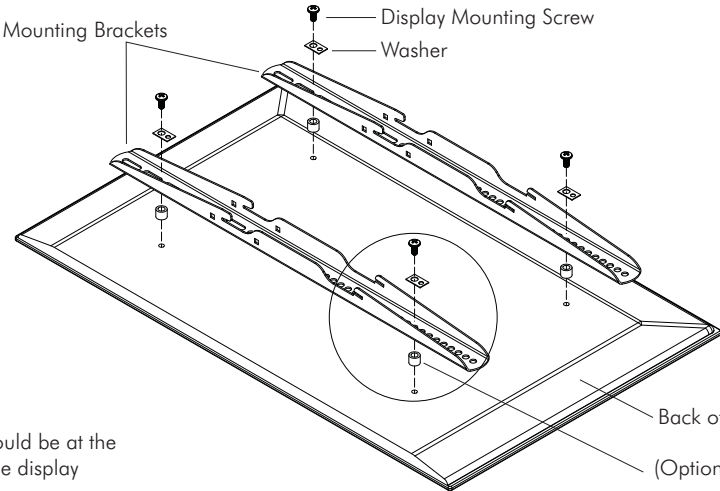
Tips 1. Please use a **Spirit Level** to ensure plate is **LEVEL**.
 2. Use the Wall Plate as a **drilling template**.

Step 3. Attach Mounting Brackets to Display in Portrait Position



Slots

Holes



Mounting Brackets

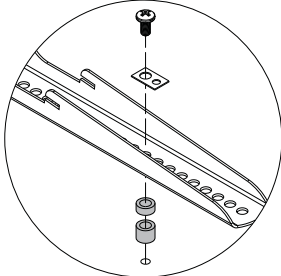
Display Mounting Screw

Washer

Back of Display

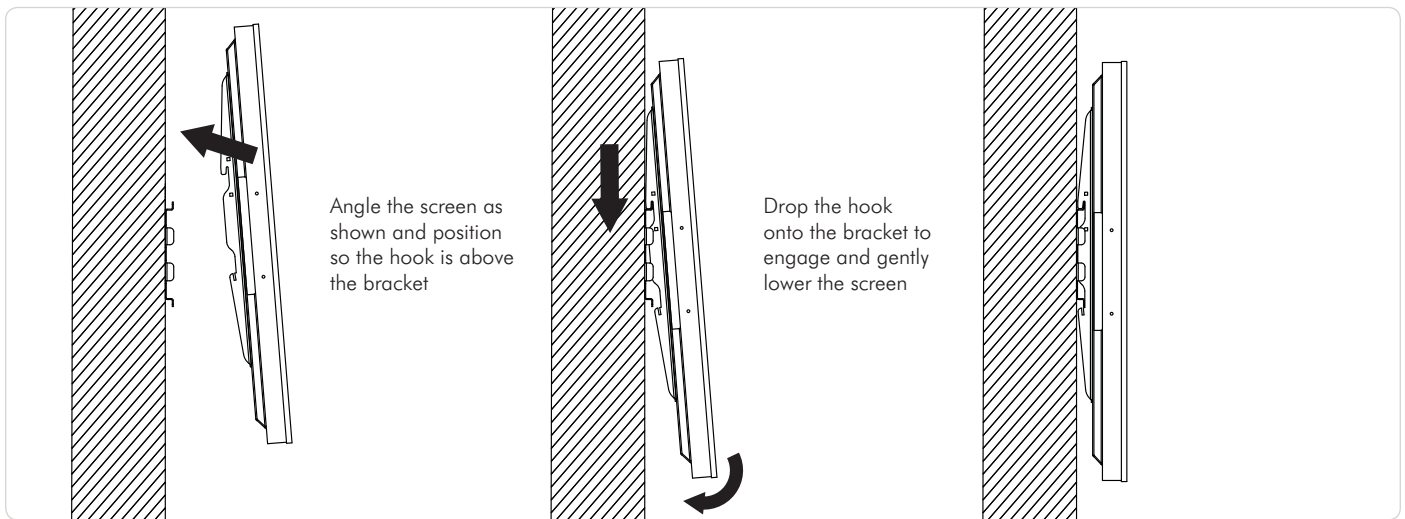
(Optional) Spacer

Use appropriate washers to level uneven and recessed rear screen surfaces



Slots should be at the top of the display

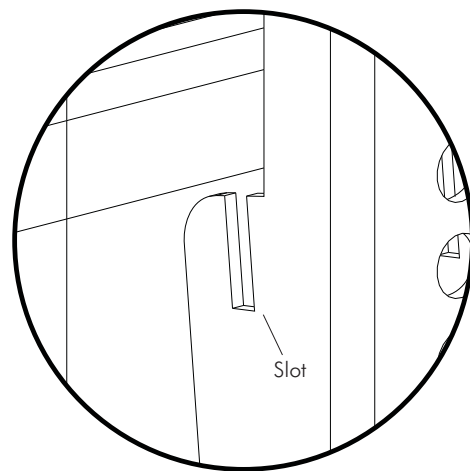
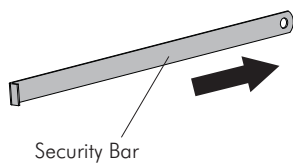
Step 4. Mount the Display to the Wall



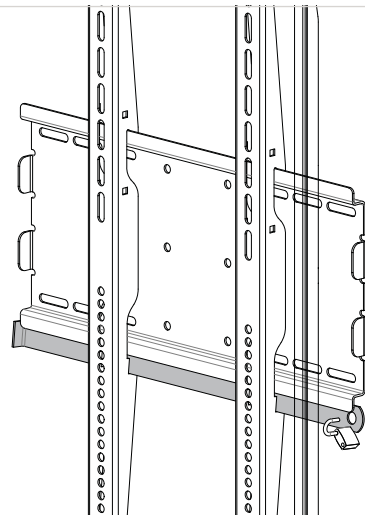
Step 5. Security

Step 5a

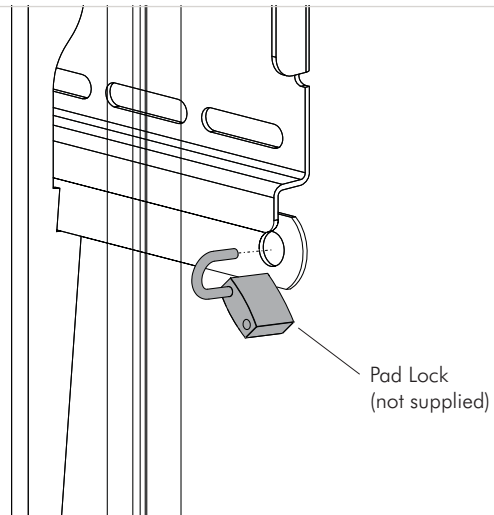
Insert the Security Bar into the slots on the Mounting Brackets with the tab facing outwards.



Step 5b



Secure with a Pad Lock.



Installation Complete



No portion of this document or any artwork contained herein should be reproduced in any way without the express written consent of Atdec Pty Ltd. Due to continuing product development, the manufacturer reserves the right to alter specifications without notice. Published 18.07.13 ©