

TH-3070-UT

NOTE

- Maximum load = 91kg (200lbs)
- Suits displays with mounting hole patterns from 180mm to 800mm wide (7"-31.5") by 125mm to 500mm high (5"-19.69").
- Mounting hardware included
- **Warranty:** 10 years limited

Mounting screws and hardware

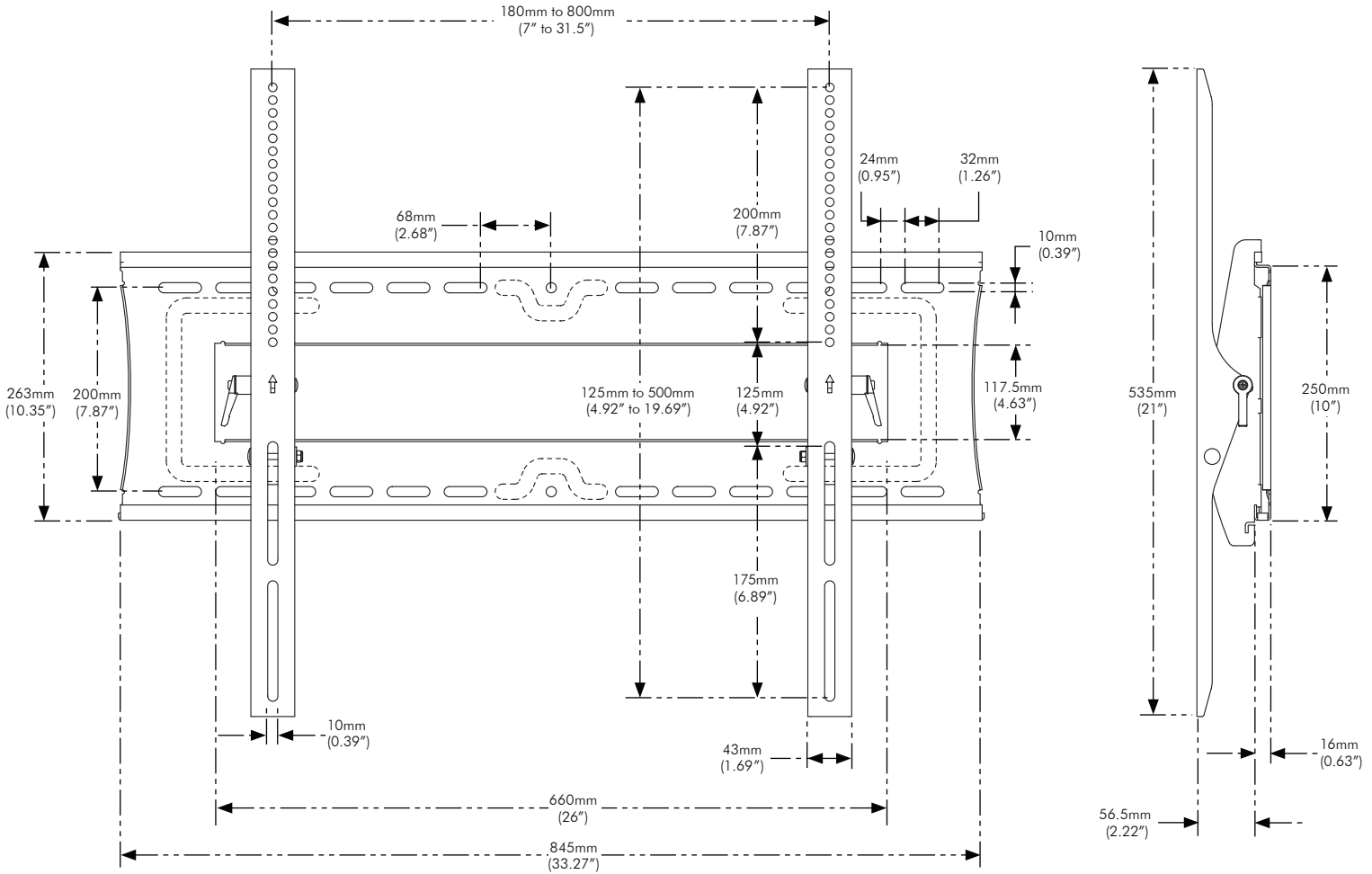
Mounting screws included:

- M8x15mm / M8x35mm / M8x45mm (x4 each)
- M6x15mm / M6x35mm / M6x45mm (x4 each)
- M5x15mm / M5x35mm / M5x45mm (x4 each)
- M4x15mm / M4x35mm / M4x45mm (x4 each)

Mounting hardware included:

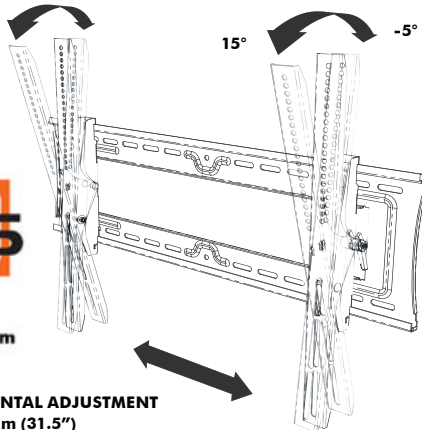
- Coach Screw (x4)
- Washer (x4)
- Spacer Bush (x4)
- Masonry Wall Plug (x4)
- Multi Washer (x4)
- Recessed Hole Bush (x4)
- Dry Wall Anchor (x6)

A General Features



B Range of Movement

ADJUSTABLE TILT OF
-5° TO 15°



Touchboards

205 Westwood Ave, Long Branch, NJ 07740
Phone: 866-94 BOARDS (26273) / (732)-222-1511
Fax: (732)-222-7088 | E-mail: sales@touchboards.com

525mm (23") OF HORIZONTAL ADJUSTMENT
from 180mm (7") to 800mm (31.5")

