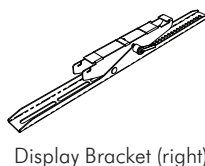
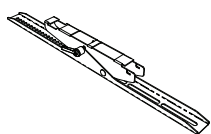
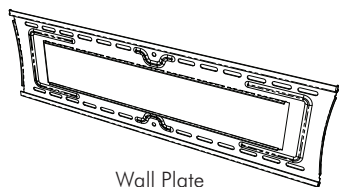


TH-3070-UT

### Important Notes

- Supports a maximum load of 91kgs (200lbs).
- Suits displays with mounting hole patterns from 180mm to 810mm wide (7"-31<sup>3</sup>/<sub>4</sub>") by 125mm to 500mm high (5"-19<sup>1</sup>/<sub>2</sub>").
- The manufacturer does not accept responsibility for incorrect installation.

### Component Checklist



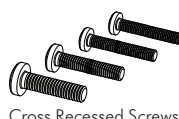
#### TOOLS REQUIRED:

- Power Drill
- 12mm (1/2"), 10mm (3/8") or 7mm (1/4") Drill Bit
- Phillips Head Screw Driver
- Spirit Level
- 17mm (11/16") Socket Wrench or Shifter

#### Bits Bag



#### Mounting Screws

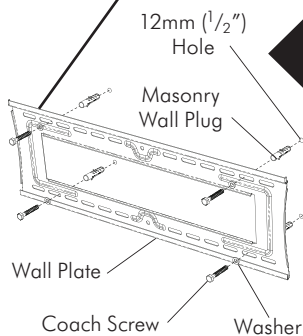


- M8x15mm / M8x35mm / M8x45mm (x4 each)
- M6x15mm / M6x35mm / M6x45mm (x4 each)
- M5x15mm / M5x35mm / M5x45mm (x4 each)
- M4x15mm / M4x35mm / M4x45mm (x4 each)

## A Mounting the Wall Plate

### Masonry Wall

**Note: Ensure the Wall Plate is mounted with the folded tabs pointing upwards.**



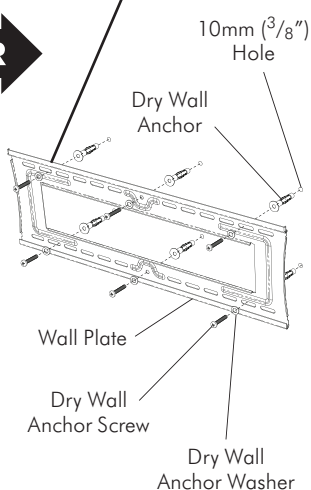
**TIP: Use a spirit level to ensure the wall plate is horizontal**

It is recommended when mounting directly into masonry wall, that the mounting holes are positioned as far apart as possible.

OR

### Dry Wall

**Note: Ensure the Wall Plate is mounted with the folded tabs pointing upwards.**



**TIP: Use a spirit level to ensure the wall plate is horizontal**

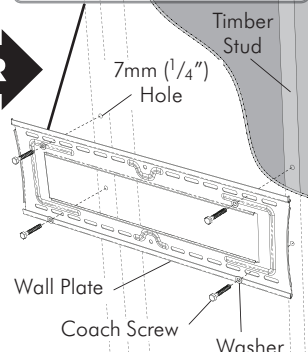
The dry wall anchors provided in the bit bag have been tested for this wall mount application and will each hold in excess of 30kg per anchor. Before using the expanding anchors, please ensure that you:

- Check the plaster board wall (dry wall) is in good condition with no cracks, peeling paper or signs of water damage etc.
- Take care installing the anchors, that they are not over tightened or driven into the wall during installation.
- Minimum thickness of drywall should be no less than 12mm (1/2")
- Recommend to use all 6 anchors even with light monitor applications.
- Only use the anchors supplied in the kit.
- Make sure the 10mm (3/8") pre-drilled hole is as recommended and no smaller or larger.
- The anchors during expansion should not interfere with studs or noggins (cross strengtheners).

OR

### Timber Stud Wall

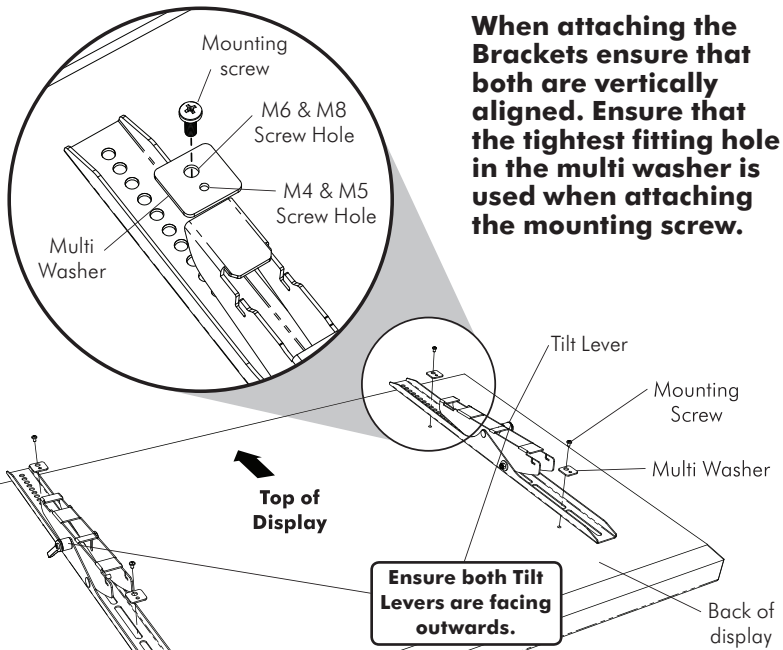
**Note: Ensure the Wall Plate is mounted with the folded tabs pointing upwards.**



**TIP: Use a spirit level to ensure the wall plate is horizontal**

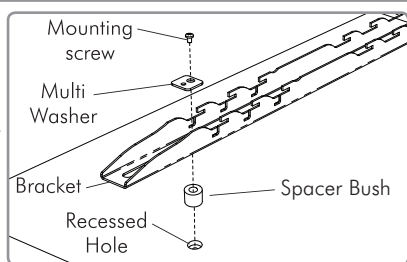
Use a stud finder to precisely locate the timber stud and ensure that the mounting holes are located in the centre of the stud.

## B Mounting the Display Brackets



### Recessed Mounting Holes

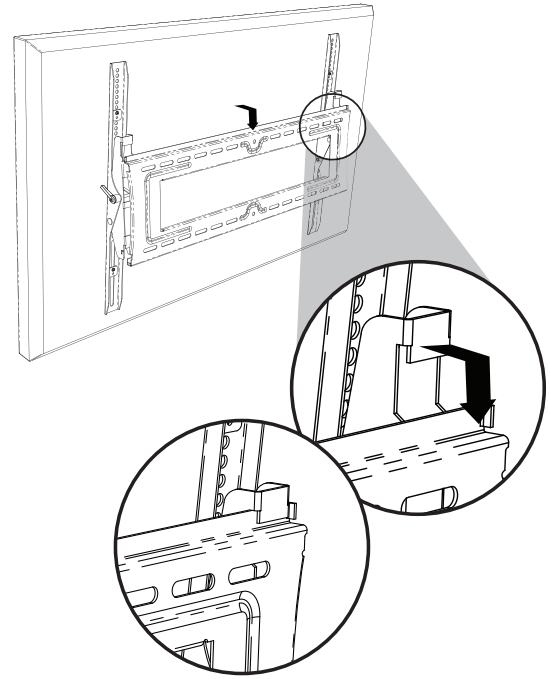
If the mounting holes are recessed into the back of the display, use the appropriate Spacer Bushes provided to pack the recessed hole. **Please note** the 13mm Spacer Bushes can only be used with M4, M5, and M6 Mounting screws. Ensure the brackets are securely fixed to the display.



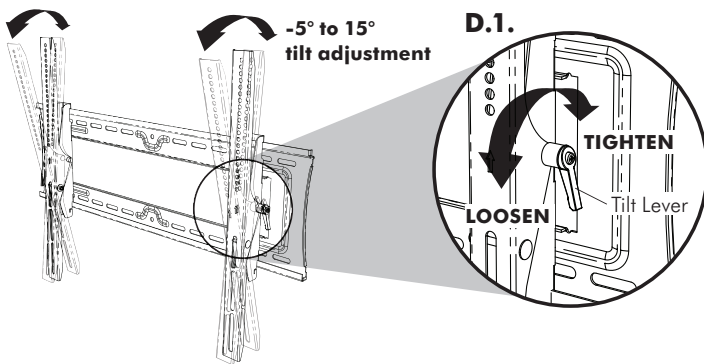
## C Attaching the display to the wall plate

**Note: This procedure will require two persons**

With the brackets attached to the display, lift the display and hook the brackets onto the Wall Plate as shown.

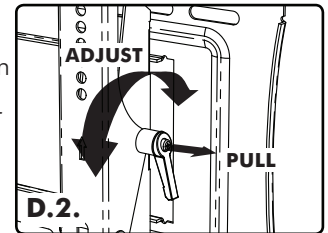


## D Adjusting Tilt

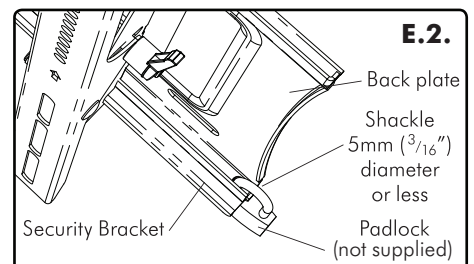
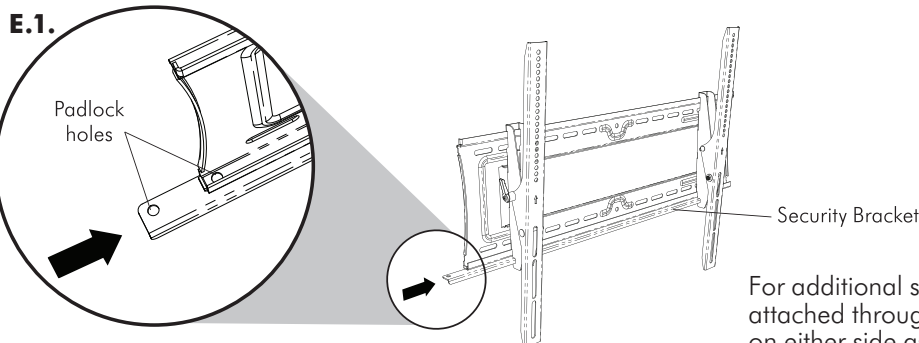


To adjust the angle of the display, loosen the Tilt Lever located on each bracket then adjust to desired angle. Once in position, tighten each lever firmly.

To adjust the Tilt Lever position without tightening or loosening the lever, pull the lever as shown to dis-engage the ratchet mechanism and rotate the lever into the desired position.



## E Security Option



For additional security, it is suggested that a Padlock is attached through the Security Bracket and the Wall Plate on either side as shown. The Padlock (not supplied) should have a shackle diameter no larger than 5mm ( $\frac{3}{16}$ ").

