

**TH-VWV**  
**TH-VWVP**  
**TH-VWP-050**  
**TH-VWP-080**  
**TH-VWP-100**  
**TH-VWP-160**

# Technical Specification



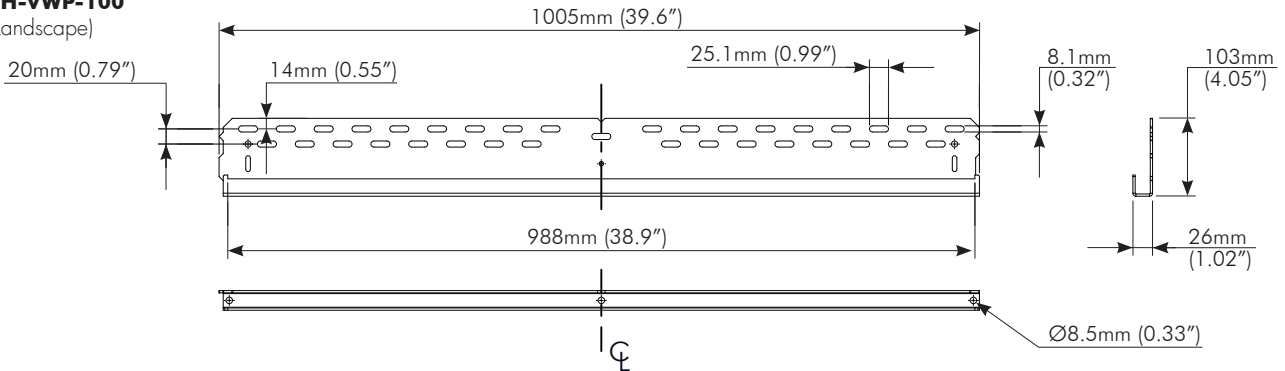
Universal Video Wall

## General Features

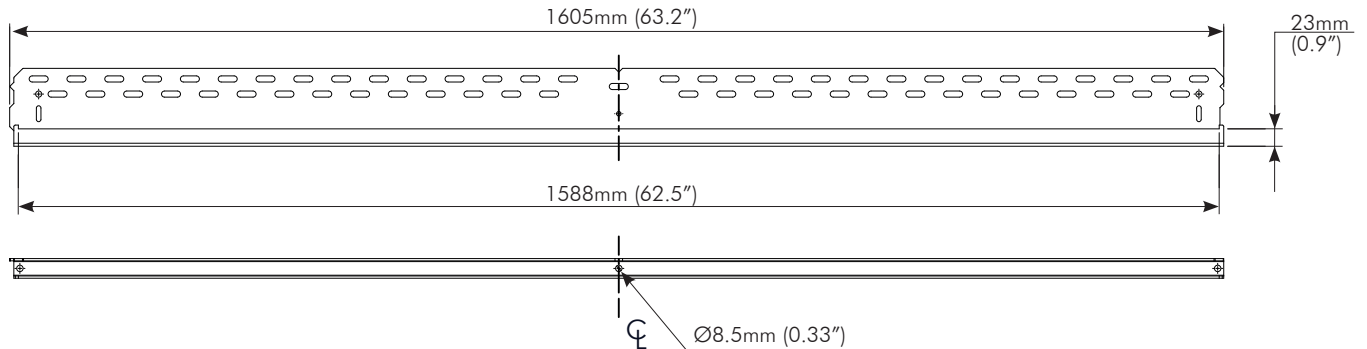
<b>Maximum Weight:</b> 165kg (363lbs) per display	<b>Screen Orientation:</b> Landscape or Portrait	<b>Color:</b> Black	<b>VESA support:</b> Horizontal- Vertical-	Unlimited TH-VWV 200-400mm TH-VWVP 200-800mm
<b>Height Adjustment:</b> ±5mm	<b>Warranty:</b> 10 years	<b>Min Screen Size:</b> 32"		

## Dimensions

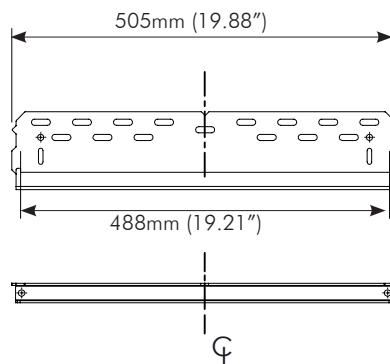
**TH-VWP-100**  
(Landscape)



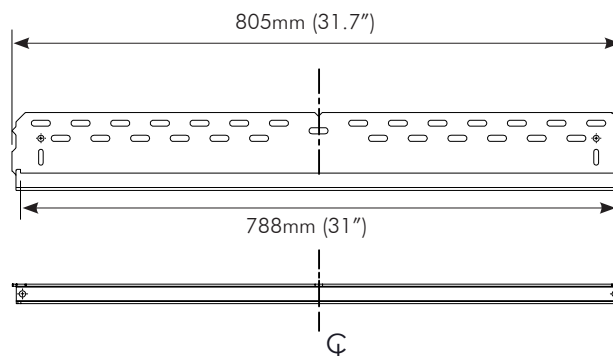
**TH-VWP-160**  
(Landscape)



**TH-VWP-050**  
(Portrait)

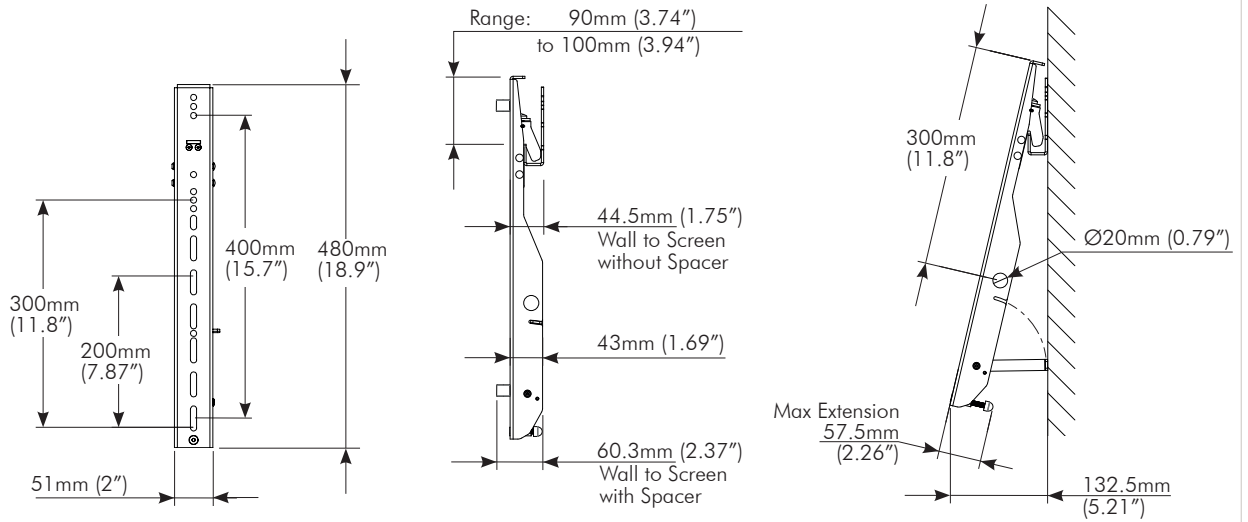


**TH-VWP-080**  
(Portrait)

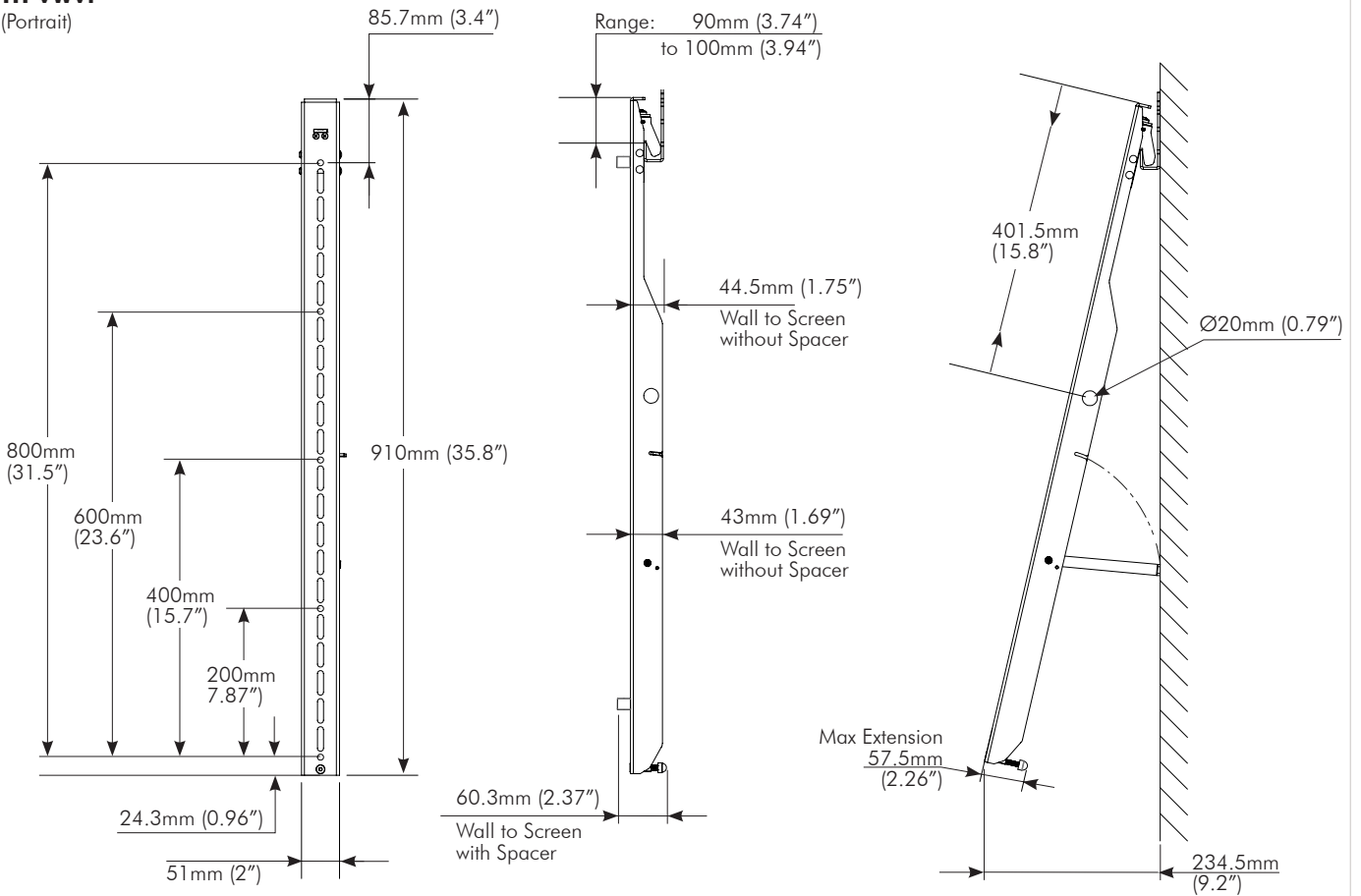



205 Westwood Ave, Long Branch, NJ 07740  
 Phone: 866-94 BOARDS (26273) / (732)-222-1511  
 Fax: (732)-222-7088 | E-mail: sales@touchboards.com

**TH-VWV**  
(Landscape)



**TH-VWVP**  
(Portrait)



No portion of this document or any artwork contained herein should be reproduced in any way without the express written consent of Atdec Pty Ltd. Due to continuing product development, the manufacturer reserves the right to alter specifications without notice. Published 04.09.15 ©