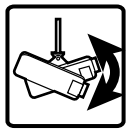


Dimensions

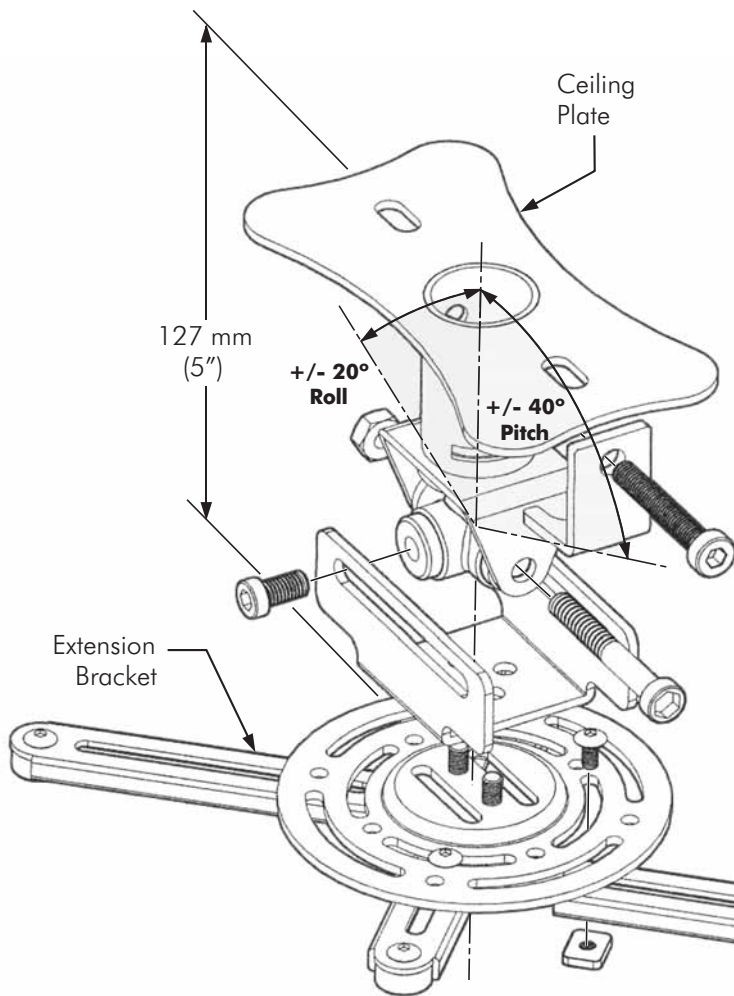
NOTE: - This product has been designed to suit 90% of projectors.
 - Maximum load = 15kg (33lbs).
 - Mounting hardware included.




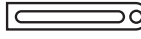
Pitch
 +/- 40°

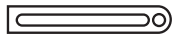
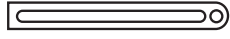


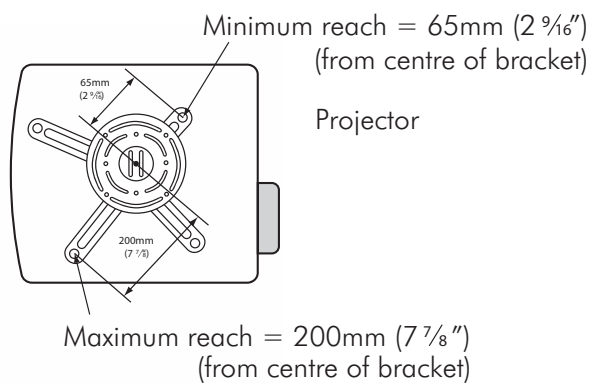
Roll
 +/- 20°



NOTE: 4 sets of Extension Bracket lengths are included to suit most mounting configurations. Any combination of these brackets may be used.

-  2x50mm (2")
-  2x75mm (3")

-  2x100mm (4")
-  2x150mm (5 7/8")



Projector mounting screws and washers included:

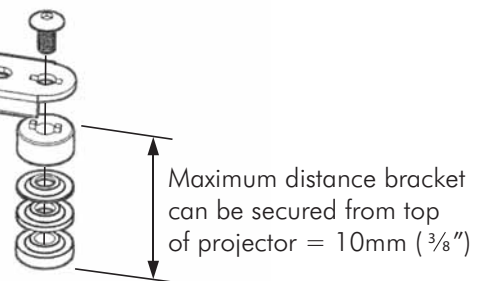
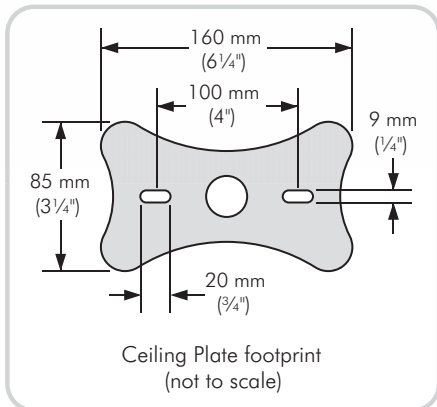
- M2.5x15 (x4)- M3x15 / M3x20 (x4 each)
- M4x15 / M4x20 / M4x25 / M4x30 - (x4 each)
- M5x15 / M5x20 / M5x25 / M5x30 - (x4 each)
- M6x15 / M6x20 / M6x25 / M6x30 - (x4 each)
- Washer 10mm / 8mm Washer (x4 each)

Mounting hardware included:

- Nylon Anchor Plug (x4)
- 14 Gauge Coach Screw (x4)
- Washer 20mm (x4)

Warranty:

10 years limited



205 Westwood Ave, Long Branch, NJ 07740
 Phone: 866-94 BOARDS (26273) / (732)-222-1511
 Fax: (732)-222-7088 | E-mail: sales@touchboards.com

