



183

**Digital Multimeter
Instruction Manual**



TABLE OF CONTENTS

	page
A. INTRODUCTION	
1. Congratulations	3
2. Product Description	3
3. EC Declaration of Conformity	4
B. SAFETY CONSIDERATIONS	5
C. TECHNICAL DATA	
1. Features and Benefits	7
2. Product Applications	8
3. Specifications	9
D. MEASUREMENT TECHNIQUES	
1. Controls and Functions	12
a) Disable Auto Power Off	13
b) Activating PC Communications	13
2. Step by Step Procedures:	
a) Measuring DC Volts	15
b) Measuring AC Volts	17
c) Measuring DC Amps	18
d) Measuring AC Amps	20
e) Measuring Resistance	21
f) Measuring Diodes	22
g) Continuity Buzzer	23
h) Measuring Capacitance	24
i) Measuring Frequency	25
j) Record Mode	26
k) Compare Mode	27
l) Relative % Mode	28
m) Two-Hold System	29
n) RS-232C Interface	30
E. ACCESSORIES	32
F. MAINTENANCE	33
G. TROUBLE SHOOTING GUIDE	34

A. INTRODUCTION

1. Congratulations!!

Thank you for purchasing a TPI Digital Multimeter. The Triple Display 183 is an innovative new concept in DMM design. The unique display enables you to view more than one event at a time. This eliminates the hassle of switching back and forth to review minimum, maximum or preset comparative values. The meter is also easy to use and built to last. The 183 is covered by a 3 Year Limited Warranty.

2. Product Description

The 183 is a hand-held autoranging DMM. The backlit LCD can display three readings at one time. In addition to basic functions of ACV, DCV, ACA, DCA, , Diode Test and Continuity, the 183 measures Frequency (Hz) and Capacitance. The 183 also has RS232 output and software for recording information into a PC.

The 183 also features:

- **REC** Records Min/Max and Average readings during specified measurement intervals. Time reference can also be displayed to determine when the values were recorded.
- **COMP** Compare actual reading to preset HI and LOW values for Pass/Fail testing of components.
- **HOLD** Two-hold system automatically holds the previous stable reading when a new one is obtained.

The 183 comes complete with the following accessories:

Battery
Rubber Boot
Test Lead Set
Instruction Manual

3. EC Declaration of Conformity

This is to certify that model 183 conforms to the protection requirements of the council directive 89/336/EEC, in the approximation of laws of the member states relating to Electromagnetic compatibility and 73/23/EEC, The Low Voltage Directive by application of the following standards:

EN 50081-1	1992 Emissions Standard
EN 50082-1	1992 Immunity Standard
EN61010-1	1993 Safety Standard
EN61010-2-031	1995 Safety Standard

To ensure conformity with these standards, this instrument must be operated in accordance with the instructions and specifications given in this manual.

CAUTION:

Even though this instrument complies with the immunity standards, the accuracy can be affected by strong radio emissions not covered in the above standards. Sources such as hand held radio transceivers, radio and TV transmitters, vehicle radios and cellular phones generate electromagnetic radiation that could be induced into the test leads of this instrument. Care should be taken to avoid such situations or alternatively, check to make sure that the instrument is not being influenced by these emissions.

3. EC Declaration of Conformity

This is to certify that model 183 conforms to the protection requirements of the council directive 89/336/EEC, in the approximation of laws of the member states relating to Electromagnetic compatibility and 73/23/EEC, The Low Voltage Directive by application of the following standards:


EN 50081-1	1992 Emissions Standard
EN 50082-1	1992 Immunity Standard
EN61010-1	1993 Safety Standard
EN61010-2-031	1995 Safety Standard

To ensure conformity with these standards, this instrument must be operated in accordance with the instructions and specifications given in this manual.

CAUTION:

Even though this instrument complies with the immunity standards, the accuracy can be affected by strong radio emissions not covered in the above standards. Sources such as hand held radio transceivers, radio and TV transmitters, vehicle radios and cellular phones generate electromagnetic radiation that could be induced into the test leads of this instrument. Care should be taken to avoid such situations or alternatively, check to make sure that the instrument is not being influenced by these emissions.

B. SAFETY CONSIDERATIONS

 **WARNING:** *Please follow manufacturers test procedures whenever possible. Do not attempt to measure unknown voltages or components until a complete understanding of the circuit is obtained.*

GENERAL GUIDELINES

ALWAYS

- Test the 183 before using to make sure it is operating properly.
- Inspect the test leads before using to make sure there are no breaks or shorts.
- Double check all connections before testing.
- Have someone check on you periodically if working alone.
- Have a complete understanding of the circuit being measured.
- Disconnect power to circuit, then connect test leads to the 183, and then to circuit being measured.

NEVER

- Attempt to measure unknown high voltages.
- Attempt to measure current with the meter in parallel to the circuit.
- Connect the test leads to a live circuit before setting up the instrument.
- Touch any exposed metal part of the test lead assembly.

INTERNATIONAL SYMBOLS



CAUTION: RISK OF ELECTRIC SHOCK



AC (ALTERNATING CURRENT)



DC (DIRECT CURRENT)



REFER TO INSTRUCTION MANUAL



GROUND



FUSE



DOUBLE INSULATION

C. TECHNICAL DATA

1. Features and Benefits

Safety	Meets CE and IEC 1010 requirements. UL Listed to U.S. and Canadian Safety Standards.
True RMS	Needed to accurately measure non-sinusoidal AC voltage and current waveforms found on many controls and circuits.
Triple Display	Shows more than one reading simultaneously.
Analog Bar Graph	Shows rapidly changing input signals that the normal display will not.
Two-Hold System	Holds two readings on the display at the same time.
Auto Off	Automatically powers instrument off after 30 minutes of inactivity. Pressing any push button or turning the rotary switch returns the 183 to normal.
Record	Records Min/Max and Average values. Time reference when value was obtained.
Compare	Compares stored value with measured value for matching components.
Relative Percentage	Displays measured value as a % of stored value for checking component tolerances.
RS232 Output	Transfers data directly to a PC while measuring.
Back Light	Allows viewing in any light condition.
Autorange	Automatically selects the best range for the measurement.

2. Product Applications

Perform the following tests and/or measurements with the TPI 183 and the appropriate function:

HVAC/R

- DCmV** • Thermocouples in furnaces or gas applications.
- ACA** • Heat anticipator current in thermostats.
- ACV** • Line voltage.
- ACV or DCV** • Control circuit voltage.
- DC μ A** • Flame safeguard control current.
- OHMS** • Heating element resistance (continuity).
- OHMS** • Compressor winding resistance.
- OHMS** • Contactor and relay coil resistance.
- OHMS** • Continuity of wiring.
- CAP** • Motor start and run capacitance.
- Hz/FREQ** • Frequency on controls and line voltage.
- REC** • Record min/max voltage of controls and line voltages.
- DCmV** • Temperature with optional temperature adapter (A310).
- ALL** • Bar graph to indicate rapid fluctuations in measurements.

ELECTRICAL

- ACV** • Measure line voltage.
- OHMS** • Continuity of circuit breakers.
- Hz/FREQ** • Frequency of line and control voltage.
- DCV** • Voltage of direct drive DC motors.

ELECTRONIC

- ACV** • Measure power supply voltage.
- OHMS** • Continuity of circuit breakers.
- REL%** • Match components
- COMP** • Compare readings in circuits or components
- Hz/FREQ** • Frequency of line and control voltage.

3. Specifications



IEC 1010 Over Voltage:
 CAT II - 1000V
 CAT III - 600V
 Pollution Degree 2



a. DCV

Range	Resolution	Accuracy	Impedance
400mV	0.1mV	±0.3% of reading, ±2 digits	10MΩ
4V	0.001V		
40V	0.01V		
400V	0.1V		
1000V	1V		

b1. ACV (45Hz to 450Hz)

Range	Resolution	Accuracy	Impedance
4V	0.001V	±0.75% of reading, ±5 digits	10MΩ
40V	0.01V		
400V	0.1V		
750V	1V		

b2. ACV (450Hz to 5kHz)

Range	Resolution	Accuracy	Impedance
4V	0.001V	unspecified	10MΩ
40V	0.01V	±2% of reading, ±5 digits	
400V	0.1V		
750V	1V		

b3. ACV (5kHz to 20kHz)

Range	Resolution	Accuracy	Impedance
4V	0.001V	unspecified	10MΩ
40V	0.01V	±2.5% of reading, ±5 digits	
400V	0.1V		
750V	1V		

3. Specifications (cont.)

c. DCA

Range	Resolution	Accuracy	Overload Protection
400 μ A	0.1 μ A	$\pm 0.5\%$ of reading, ± 5 digits	Fuse** (fast blow) F600V, .5A, 31CM
4000 μ A	1 μ A		
40mA	0.01mA		
400mA	0.1mA		
4A	0.001A	$\pm 0.75\%$ of reading, ± 5 digits	Fuse** (fast blow) F600V, 10A, 31CM
10A	0.01A		

d. ACA

Range	Resolution	Accuracy	Overload Protection
400 μ A	0.1 μ A	$\pm 0.75\%$ of reading, ± 5 digits	Fuse** (fast blow) F600V, .5A, 31CM
4000 μ A	1 μ A		
40mA	0.01mA		
400mA	0.1mA		
4A	0.001A	$\pm 1\%$ of reading, ± 5 digits	Fuse** (fast blow) F600V, 10A, 31CM
10A	0.01A		

e. OHM (Resistance,)

Range	Resolution	Accuracy	Overload Protection
400 Ω	0.1 Ω	$\pm 0.5\%$ of reading, ± 5 digits	600V DC or AC Peak
4k Ω	0.001k Ω		
40k Ω	0.01k Ω		
400k Ω	0.1k Ω		
4M Ω	0.001M Ω	$\pm 1\%$ of reading, ± 10 digits	
40M Ω	0.01M Ω		

f. Diode Test

Test Voltage	Max Test Current	Over Load Protection
3V	Approx. 2.5mA	600 V DC or Peak AC



****Warning:** Use only correct size, voltage and current rated fuses.
Test Leads: Use only correct type and overvoltage category rating.

3. Specifications (cont.)

g. Continuity Buzzer

Test Voltage	Threshold	Over Load Protection
3V	1000 digits	600 V DC or Peak AC

h. Capacitance

Range	Resolution	Accuracy	Over Load Protection
10 μ F	0.01 μ F	\pm 2% of reading, \pm 5 digits	600V DC or Peak AC
100 μ F	0.1 μ F		
1000 μ F	1 μ F	\pm 3% of reading, \pm 7 digits	
10,000 μ F	1 μ F		

i. Frequency

Range	Resolution	Accuracy	Over Load Protection
200.00Hz	0.01Hz	\pm 0.05% of reading, \pm 2 digits	600V DC or Peak AC
2.0000kHz	0.0001kHz		
20.000kHz	0.001kHz		
200.00kHz	0.01kHz		

I. General Specifications

Max. Volt. between any Input and Ground	1000V
Fuse Protection	mA: 0.5Amp/600VAC; A: 10Amp/600VAC
Display Type, Digital:	4,000 Count, 4 times per second update
Analog:	2x41 segments, 20 times per sec. update
Operating Temp.	-0° to 40°C (32° to 113°F)
Storage Temp.	-20° to 60°C (-4° to 140°F)
Relative Humidity	0% to 80%: (0° - 35°C/32° - 95°F) 0% to 70%: (35° - 55°C/95° - 131°F)
Temp. Coefficient	0.1 x (Specified Accuracy) per °C for temperature <18°C to >28°C
Power Supply	9 Volt Battery
Battery Life	100 hrs. Alkaline
Size (H x L x W)	33mm x 86mm x 187mm (1.3" x 3.4" x 7.4")
Weight	380g (14.4oz)

D. MEASUREMENT TECHNIQUES

1. Controls and Functions:

Push Buttons



Activates Back Light for the LCD (automatically turns off after approx. 70 sec.)

REC Activates the Min/Max/Ave mode.

COMP Activates the Compare mode.

REL% Activates the REL% mode.

RANGE Activates manual ranging.

EDIT Activates the EDIT mode for the Compare and Relative % functions.

HOLD Activates two-hold data-hold mode.

Activates special dual functions on LCD.
(Min/Max time reference)

Rotary Switch

Off Turns the instrument off.

mV Selects the DC mV function.

V Selects the DCV function.

VHz Selects the ACV function. (Push the yellow button to display frequency of measured voltage on lower display.)



Selects the diode test function.

Ω Selects resistance function. (Push yellow button to activate continuity buzzer.)

mA Selects the DC mA function.

A Selects the DCA function. (10A max.)

A Selects the ACA function. (10A max.)

mA Selects the AC mA function.

Selects the Capacitance function.

Hz Selects the Frequency function.

Input Jacks

A Red test lead connection for current measurements on the A and A functions.

mA μ A Red test lead connection for current measurement on the mA and mA functions.

COM Black test lead connection for all functions.

V Ω Red test lead connection for all Volt, Ohm, Diode and Continuity measurements.

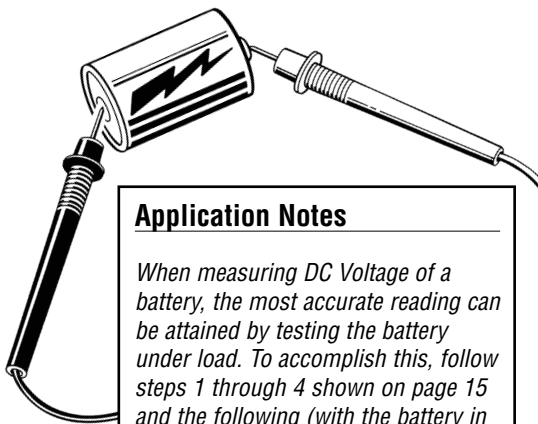
RS-232C

Jack on right side See section on RS-232C interface.

2. Power On Options:

Disable Auto Off Hold down the **REC** button while turning on the instrument.

Activate RS-232C Computer Communication Hold down the **COMP** button while turning on the instrument. Also disables Auto Power Off when using computer communication function.



Application Notes

When measuring DC Voltage of a battery, the most accurate reading can be attained by testing the battery under load. To accomplish this, follow steps 1 through 4 shown on page 15 and the following (with the battery in holder and device turned on):

- *Connect the red test lead from the meter to the positive (+) terminal of the battery.*
- *Connect the black test lead to the negative (-) terminal of the battery.*
- *Reconnect power to the circuit and read the voltage on the 183.*

3. Step by Step Procedures:

a. Measuring DC Volts

CAUTION!

Do not attempt to make a voltage measurement if a test lead is plugged in the A or mA input jack. Instrument damage and/or personal injury may result.

⚠ WARNING!

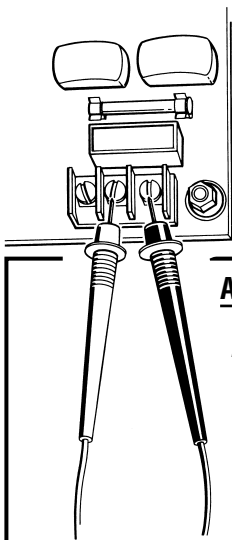
Do not attempt to make a voltage measurement of more than 1000V or of a voltage level that is unknown.

Instrument set-up:

FUNCTION	BLACK TEST LEAD	RED TEST LEAD	MINIMUM READING	MAXIMUM READING
^{AC/DC} mV	COM	VΩ $\frac{\square}{\square}$ Hz	0.1mV	400.0mV
^{AC/DC} V	COM	VΩ $\frac{\square}{\square}$ Hz	0.001V	1000V

Measurement Procedure:

1. Disconnect power to circuit to be measured.
2. Plug black test lead into the **COM** input jack.
3. Plug red test lead into the **V** $\frac{\square}{\square}$ input jack.
4. Set rotary switch to either the ^{AC/DC}mV or ^{AC/DC}V range, depending on the voltage to be measured.
5. Connect test leads to circuit to be measured.
6. Reconnect power to circuit to be measured.
7. Read the voltage on the 183.



Application Notes

Disconnect power from the terminal block, find the fuse or circuit breaker that controls the block and turn it off.

Set up the meter following the steps under "Measurement Procedure" on page 17. Then proceed with the following:

- *Connect the red test lead to the hot side of the block and the black lead to the neutral side of the block. Reconnect power to the block and read the voltage on the meter. The reading should be approximately 110V to 130V.*
- *Disconnect power from the block and move the red wire to ground. Reconnect power to the block and read the voltage on the meter. Typically less than 20V should exist from neutral to ground. If 110V or above exists, the block may be wired incorrectly.*

b. Measuring AC Volts

CAUTION!

Do not attempt to make a voltage measurement if a test lead is plugged in the A or μ mA input jack. Instrument damage and/or personal injury may result.

⚠ WARNING!

Do not attempt to make a voltage measurement of more than 750V or of a voltage level that is unknown.

Instrument set-up:

FUNCTION	BLACK TEST LEAD	RED TEST LEAD	MINIMUM READING	MAXIMUM READING
V Ω -Hz	COM	V Ω -Hz	0.001V	750V

Measurement Procedure:

1. Disconnect power to circuit to be measured.
2. Plug black test lead into **COM** input jack.
3. Plug red test lead into the **V Ω** input jack.
4. Set the rotary switch to the **VHz** function depending on the voltage to be measured.
5. Connect test leads to circuit to be measured.
6. Reconnect power to circuit to be measured.
7. Read the voltage on the 183.

Optional Function

8. Press the gray button on the 183.
9. Read the frequency of the voltage being measured in the lower left hand corner of the LCD.

c. Measuring DC Amps

CAUTION!

Do not attempt to make a current measurement with the test leads connected in parallel with the circuit to be tested. Test leads must be connected in series with the circuit.



WARNING!

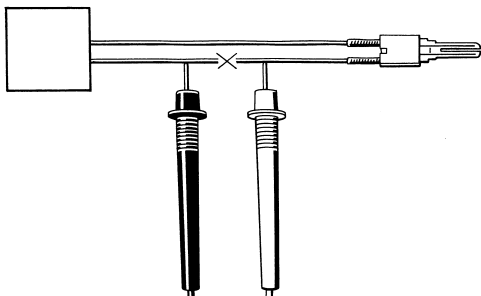
Do not attempt to make a current measurement of circuits with more than 600V present. Instrument damage and/or personal injury may result.

Instrument set-up:

FUNCTION	BLACK TEST LEAD	RED TEST LEAD	MINIMUM READING	MAXIMUM READING
$\overline{\mu\text{mA}}$	COM	mA	0.01mA	400.0mA
$\overline{\text{A}}$	COM	A	0.001A	10.00A

Measurement Procedure:

1. Disconnect power to circuit to be measured.
2. Plug black test lead into the **COM** input jack.
3. Plug red test lead into the $\overline{\text{mA}}$ or $\overline{\text{A}}$ input jack depending on the value of current to be measured.
4. Set the rotary switch to the $\overline{\text{mA}}$, or $\overline{\text{A}}$ function.
5. Connect the test leads in series to the circuit to be measured.
6. Reconnect power to circuit to be measured.
7. Read the current on the 183.



Application Notes

When measuring the DC current of a flame controller, follow the steps under "Measurement Procedure" on page 18 and then proceed with the following:

- *Set up the meter for making a mA measurement.*
- *Connect the meter to the flame controller lead by opening the circuit and inserting the leads in series with the circuit as shown in the picture above.*

d. Measuring AC Amps

CAUTION!

Do not attempt to make a current measurement with the test leads connected in parallel with the circuit to be tested. Test leads must be connected in series with the circuit.

⚠ WARNING!

Do not attempt to make a current measurement of circuits with more than 600V present. Instrument damage and /or personal injury may result.

Instrument set-up:

FUNCTION	BLACK TEST LEAD	RED TEST LEAD	MINIMUM READING	MAXIMUM READING
umA	COM	mA	0.01mA	400.0mA
^{mA} A	COM	A	0.001A	10.00A

Measurement Procedure:

1. Disconnect power to circuit to be measured.
2. Plug black test lead into the **COM** input jack.
3. Plug the red test lead into the ^{mA}**mA** or ^A**A** input jack depending on the value of current to be measured.
4. Set the rotary switch to the ^{mA}**mA** or ^A**A** function.
5. Connect test leads in series to circuit to be measured.
6. Reconnect power to circuit to be measured.
7. Read the current on the 183.

e. Measuring Resistance

WARNING!

Do not attempt to make resistance measurements with circuit energized. For best results, remove the resistor completely from the circuit before attempting to measure it.

NOTE:

To make accurate low ohm measurements, short the ends of the test leads together and record the resistance reading. Deduct this value from actual readings.

Instrument set-up:

FUNCTION	BLACK TEST LEAD	RED TEST LEAD	MINIMUM READING	MAXIMUM READING
Ω	COM	$V\Omega$ Hz	0.1 Ω	40.00M Ω

Measurement Procedure:



1. Disconnect power to circuit to be measured.
2. Plug black test lead into the **COM** input jack.
3. Plug red test lead into **$V\Omega$ Hz** input jack.
4. Set the rotary switch on the 183 to the function.
5. Connect the test leads to the circuit to be measured.
6. Read the resistance value on the 183.

f. Measuring Diodes


CAUTION!

Do not attempt to make diode measurements with circuit energized. The only way to accurately test a diode is to remove it completely from the circuit before attempting to measure it.

Instrument set-up:

FUNCTION	BLACK TEST LEAD	RED TEST LEAD	MINIMUM READING	MAXIMUM READING
	COM	V Ω Hz 	0.001V	2.000V

Measurement Procedure:

1. Disconnect power to circuit to be measured.
2. Plug black test lead into the **COM** input jack.
3. Plug red test lead into **V Ω Hz** input jack.
4. Set the rotary switch to the  function.
5. Connect the black test lead to the banded end of the diode and the red test lead to the non-banded end of the diode.
6. Reading on the display should be between 0.5 and 0.8 volts.
7. Reverse test lead connections in 5 above.
8. Reading on the display should be OFL (Overload).

NOTE: If diode reads 0 in both directions, diode is shorted. If diode reads OFL in both directions, diode is open.

g. Continuity Buzzer



WARNING!

Do not attempt to make continuity measurements with circuit energized.

Instrument set-up:

FUNCTION	BLACK TEST LEAD	RED TEST LEAD
	COM	VΩ Hz

Measurement Procedure:



1. Disconnect power to circuit to be measured.
2. Plug black test lead into the **COM** input jack.
3. Plug the red test lead into the **VΩ Hz** input jack.
4. Set the rotary switch to the function.
5. Press the gray push button to activate the continuity buzzer.
6. Connect test leads to circuit to be measured.
7. Listen for the buzzer to confirm continuity.

h. Measuring Capacitance



WARNING!

All capacitance measurements are to be made on de-energized circuits with all capacitors discharged only. Failure to de-energize and discharge capacitors before attempting to measure them could result in instrument damage and/or personal injury.

Instrument set-up:

FUNCTION	BLACK TEST LEAD	RED TEST LEAD	MINIMUM READING	MAXIMUM READING
	COM	V Ω  Hz	0.01 μ F	10000 μ F

Measurement Procedure:

1. Disconnect power to circuit to be measured.
2. Remove capacitor from the circuit and discharge it.
3. Plug black test lead into the **COM** input jack.
4. Plug the red test lead into the **V Ω Hz** input jack.
5. Set the rotary switch to the  function.
6. Connect test leads to capacitor to be measured.



WARNING!

Never attempt a frequency measurement with a voltage source greater than 600V. Determine the voltage of any unknown frequency source before connecting the instrument in frequency mode.

Instrument set-up:

FUNCTION	BLACK TEST LEAD	RED TEST LEAD	MINIMUM READING	MAXIMUM READING
Hz	COM	V Ω Hz	0.01Hz	200.00KHz

Measurement Procedure:

1. Disconnect power to circuit to be measured.
2. Plug black test lead into the **COM** input jack.
3. Plug red test lead into the **V Ω Hz** input jack.
4. Set the rotary switch to the **Hz** function.
5. Reconnect power to circuit to be measured.
6. Read the frequency on the LCD.

j. Record Mode

The record mode saves minimum (MIN) and maximum (MAX) values measured for a series of readings. The main part of the LCD displays the actual reading, the MAX value is constantly displayed on the lower left hand sub-display while the MIN value is constantly displayed on the lower right hand sub-display. Activate the function as follows:

1. Depress the **REC** button on the 183.
2. The 183 will immediately start to record and display MIN/MAX values on the two lower sub-displays. A confirmation beep will sound every time a new value is recorded.
3. Press **REC** button a second time and the AVE (average) reading will be displayed.
4. Press the **REC** button again to return to normal record mode.
5. To terminate the record mode, hold the **REC** button down for approximately 2 seconds or turn the rotary switch to a different function.

Optional Function (Time Reference on Min/Max Readings)

While in Record Mode push the gray button, the two sub-displays will show the elapsed time in seconds since the last Min/Max values were obtained. By setting a clock at the start of the recording session, you can easily determine the approximate time that values were measured.

k. Compare Mode

The compare mode takes the actual reading on the main display and compares it to LOW and HIGH values, programmed by the user, on the sub-displays. This is used to compare components or measurements for acceptable readings. Activate the function as follows:

1. To use **Compare Mode** manually select the correct range for the function.
2. Depress the **COMP** button.
3. Depress the **EDIT** button. The right hand digit under the HIGH sub-display will start to flash.
4. Depress the **REL%** or **HOLD** buttons until the correct number is selected for the position.
5. Depress the **REC** button. The next digit to the right of 3 above will start to flash.
6. Repeat steps 4 and 5 until the correct values for all eight digits under LOW and HIGH sub-displays are entered.
7. After the correct LOW and HIGH values are entered, depress the **EDIT** button.
8. Measure the circuit or component being compared to the programmed values. Results will be displayed as PASS for the acceptable readings, LO for low readings, and HI for high readings.
9. Depress the **COMP** button or turn the rotary switch to exit the function.

I. Relative % Mode

The Relative % mode takes the actual reading on the main display and compares it to a reference value programmed by the user on the right hand sub-display. The left hand sub-display will show the percentage the actual reading varies from the reference value. Activate the function as follows:

1. To use **Relative %** mode manually select the range for the function.
2. Depress the **REL%** button.
3. Depress the **EDIT** button. The right hand digit under the **REF** sub-display will start to flash.
4. Depress **REL%** or **HOLD** buttons until correct number is selected for that display position.
5. Depress the **REC** button. The next digit to the right of 3 above will start to flash.
6. Repeat steps 4 and 5 until correct values for all four digits under **REF** sub-display are entered.
7. After the correct **REF** value is entered, depress the **EDIT** button.
8. Measure the circuit or component being compared to the programmed reference value. Results will be displayed as a percentage in the lower left hand sub display.
9. Depress the **REL%** button or turn the rotary switch to exit the function.

m. Two-Hold System

The two-hold system is a data hold feature that will automatically store a stable reading under the 1 HOLD sub-display in the lower left hand corner of the LCD. When a new, stable reading is obtained, the reading under 1 HOLD will be moved to 2 HOLD and the new reading will be displayed under 1 HOLD.

Depress the **HOLD** button to activate the feature. Push the button again to de-activate the feature.

n. RS-232C Interface

Demonstration software is provided with the 183. The program is written for windows using Visual Basic. For your own applications, consult the following:

1. Specification:

Baud Rate	1200
Parity Bit	None
Data Bit	7
Stop Bit	1

2. Data Formats: FAR_DDDDDDT

Indicator	Description
F	Function Code
A	Indicates Auto or Manual Range
R	Range Code
	Space
DDDDDD	Reading Data (with decimal pointer and sign)
T	Data Delimiters

Function Codes

Code	Function	Code	Function	Code	Function
0	ACV	4	ACA	8	–
1	OHMS	5	DCA	9	ACmA
2	DCV	6	Diode	A	Capacitance
3	DCmV	7	CmA	B	Frequency

Range Codes

Func. Code	Ranges					
	0	1	2	3	4	5
0, 2	4.00V	40.00V	400.0V	1000V	–	–
7, 9	40.00mA	400.0mA	–	–	–	–
4, 5	4.000A	10.00A	–	–	–	–
1	400.0	4.000k	40.00k	400.0k	4.000M	40.00M
B	200.00Hz	2.0000kHz	20.000kHz	200.00kHz	–	–
A	400.0nF	4.000μF	40.00μF	–	–	–
3	400mV	–	–	–	–	–
6	4.000V	–	–	–	–	–

Auto or Manual Range Codes

Code	Mode
0	Manual Range
1	Auto Range

Example Application Program:

```
cls
gosub ComOpen
on Com (2) on
WaitLoop:
goto WaitLoop
CompOpen:
close #1
open "com2:1200,n,7,1,rs,cs,ds,cd" as#1
return
GetCom:
com (2) off
input#1,rd$

if len (rd$)>9 then
  RdgData$=right$ (rd$, &)
  FunCode$=left$ (rd$, 1)
  ModCode$=mid$ (rd$, 2, 1)
  RgeCode$=mid$ (rd$, 3, 1)
  print FunCodes$, " "; ModCode$, " "; RgeCode$, RdgData$
end if
com (2) on
return
```


E. ACCESSORIES*

Standard Accessories	Part No.
9 Volt Alkaline Battery	A009A
Fuse, 0.5 Amp	A104
Fuse, 10 Amp	A110
Test Lead Set	A050
Rubber Boot	A101

Optional Accessories	Part No.
Demonstration Software	A108
Deluxe Test Lead Set	SDK1
IEC 1010 Deluxe Test Lead Kit	TLS2000B
Temperature Adapter	A301
Boot Hook	A103
Soft Carrying Case	A100

*These accessories have not been evaluated by UL and are not considered as part of the UL Listing of this product.

F. MAINTENANCE

1. **Battery Replacement:** The 183 will display BAT when the 9 Volt battery needs replacement. Battery replaced as follows:
 - a. Disconnect and remove all test leads from live circuits and from the 183.
 - b. Remove 183 from protective boot.
 - c. Remove the three screws from back of housing.
 - d. Carefully pull apart front and rear instrument housing.
 - e. Remove old batteries and replace with new batteries.
 - f. Reassemble instrument in reverse order from above.

2. **Fuse Replacement:** Both the A and mA μ A input jacks are fuse protected. Use only Fast Blow, 600 Volt fuses with correct current ratings. Failure to do so will void all warranties. If either do not function, replace as follows:
 - a. Disconnect and remove all test leads from live circuits and from the 183.
 - b. Remove 183 from protective boot.
 - c. Remove the three screws from back of housing.
 - d. Carefully pull apart the front and rear instrument housing.
 - e. Remove old fuse(s) and replace it with new fuse(s).
 - f. Reassemble instrument in reverse order from above.

3. **Cleaning your 183**

Use a mild detergent and a slightly damp cloth to clean the surfaces of the 183.

G. TROUBLE SHOOTING GUIDE

Problem

Probable Causes

Does not power up

- Dead or defective battery
- Broken wire from battery snap to PCB

Won't display current readings

- Open fuse
- Open test lead
- Improperly connected to circuit under test

All functions except ohms read high

- Very weak battery that will not turn on the low battery indicator on the LCD

ACV do not read

- Very weak battery that will not turn on the low battery indicator on the LCD

WARRANTY

**Please refer to product warranty card for
warranty statement.**



Test Products International, Inc.

9615 SW Allen Blvd., Ste. 104
Beaverton, OR USA 97005
503-520-9197 • Fax: 503-520-1225
info@tpi-thevalueleader.com

183 SPECIFICATIONS ±0.5% Basic DCV Accuracy

<u>Function</u>	<u>Range</u>	<u>Resolution</u>
DCV	400mV	0.1mV
	4V	0.001V
	40V	0.01V
	400V	0.1V
	1000V	1V
ACV	4V	0.001V
	40V	0.01V
	400V	0.1V
	750V	1V
DCA	400µA	0.1µA
	4000µA	1µA
	40mA	0.01mA
	400mA	0.1mA
	4A	0.001A
	10A	0.01A
ACA	400µA	0.1µA
	4000µA	1µA
	40mA	0.01mA
	400mA	0.1mA
	4A	0.001A
	10A	0.01A
OHM	400	0.1
	4k	0.001k
	40k	0.01k
	400k	0.1k
	4M	0.001M
	40M	0.01M
Capacitance (183)	10µF	0.01µF
	100µF	0.1µF
	1000µF	1µF
	10,000µF	1µF
Capacitance (185)	4nF	1pF
	40nF	10pF
	400nF	100pF
	4µF	1nF
Frequency	200.00Hz	0.01Hz
	2.0000kHz	0.0001kHz
	20.000kHz	0.001kHz
	200.00kHz	0.01kHz
Diode	<u>Test Voltage</u>	<u>Max Test Current</u>
	3V	Approx. 2.5mA
Continuity	<u>Test Voltage</u>	<u>Threshold</u>
	3V	1000 digits