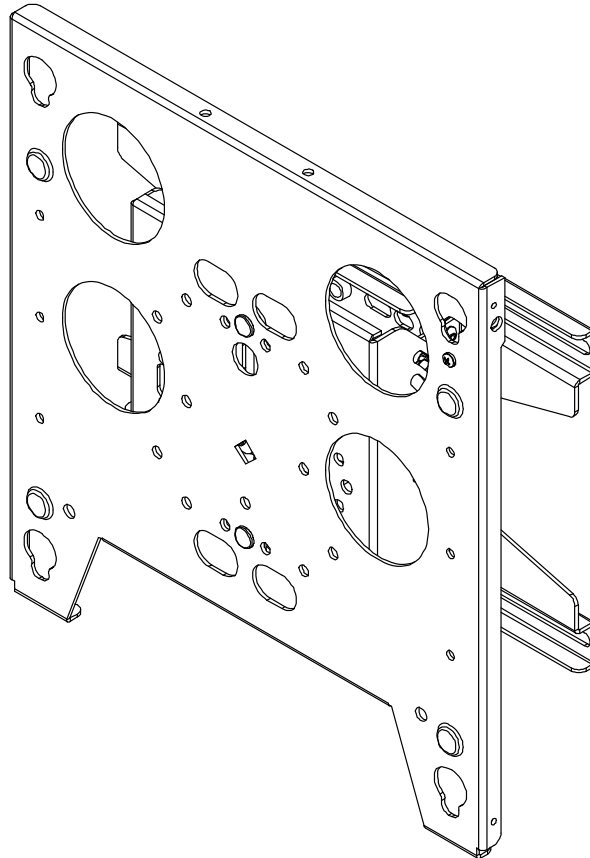

INSTALLATION INSTRUCTIONS



205 Westwood Ave, Long Branch, NJ 07740
Phone: 866-94 BOARDS (26273) / (732)-222-1511
Fax: (732)-222-7088 | E-mail: sales@touchboards.com



Truss Tilt Adjustable Mount

DISCLAIMER

Milestone AV Technologies, and its affiliated corporations and subsidiaries (collectively, "Milestone"), intend to make this manual accurate and complete. However, Milestone makes no claim that the information contained herein covers all details, conditions or variations, nor does it provide for every possible contingency in connection with the installation or use of this product. The information contained in this document is subject to change without notice or obligation of any kind. Milestone makes no representation of warranty, expressed or implied, regarding the information contained herein. Milestone assumes no responsibility for accuracy, completeness or sufficiency of the information contained in this document.

Chief® is a registered trademark of Milestone AV Technologies. All rights reserved.



WARNING: Use this mounting system only for its intended use as described in these instructions. Do not use attachments not recommended by the manufacturer.



WARNING: Never operate this mounting system if it is damaged. Return the mounting system to a service center for examination and repair.



WARNING: Do not use this product outdoors.

IMPORTANT ! : The TPP mount is designed for installation to a variety of pipe/truss dimensions and can span a distance of up to 14".



IMPORTANT SAFETY INSTRUCTIONS!



WARNING: A WARNING alerts you to the possibility of serious injury or death if you do not follow the instructions.



CAUTION: A CAUTION alerts you to the possibility of damage or destruction of equipment if you do not follow the corresponding instructions.



WARNING: Failure to read, thoroughly understand, and follow all instructions can result in serious personal injury, damage to equipment, or voiding of factory warranty! It is the installer's responsibility to make sure all components are properly assembled and installed using the instructions provided.



WARNING: Failure to provide adequate structural strength for this component can result in serious personal injury or damage to equipment! It is the installer's responsibility to make sure the structure to which this component is attached can support five times the combined weight of all equipment. Reinforce the structure as required before installing the component.

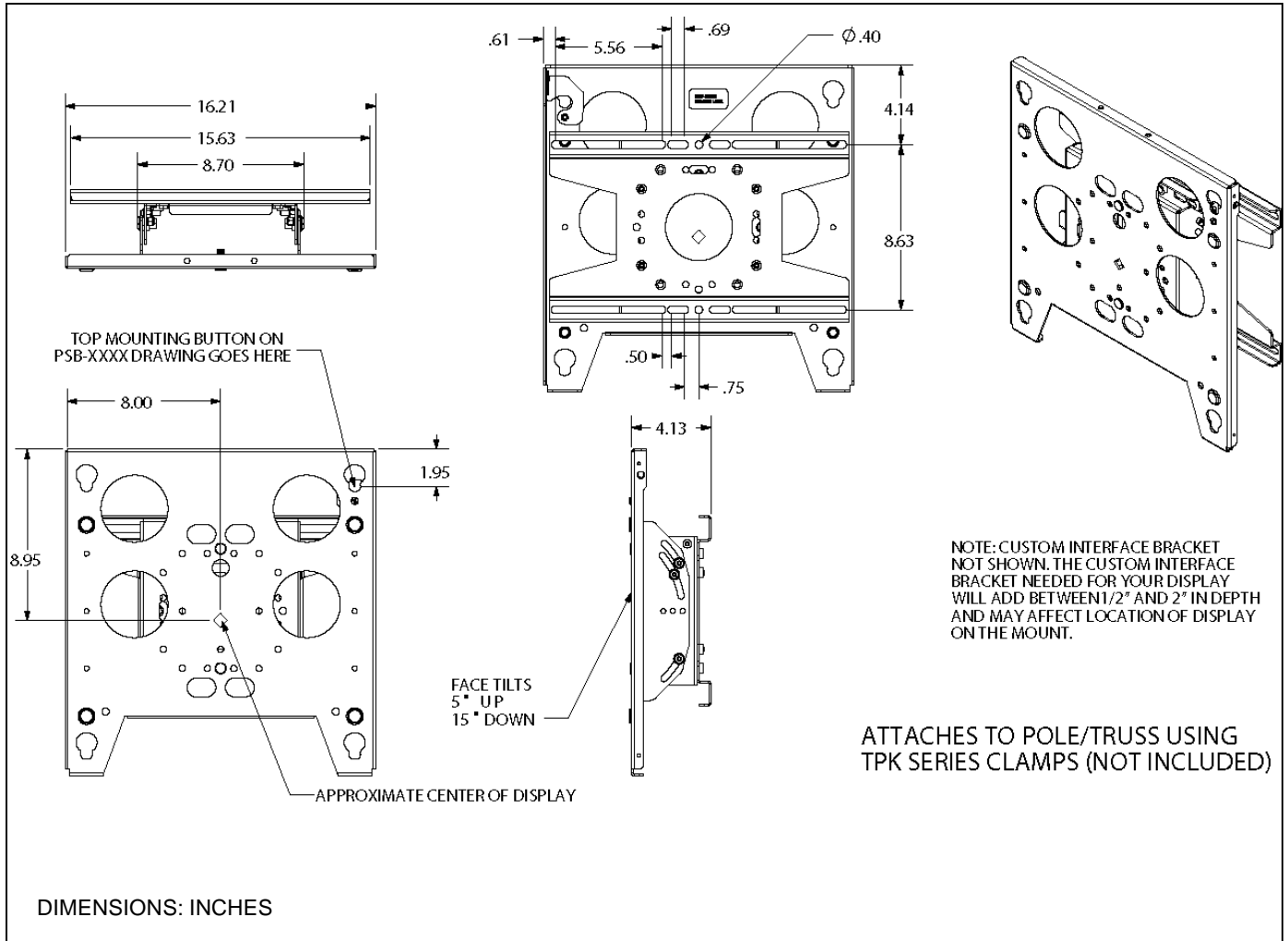


WARNING: Exceeding the weight capacity can result in serious personal injury or damage to equipment! It is the installer's responsibility to make sure the combined weight of all components attached to the TPP does not exceed 150 lbs (68.04 kg).






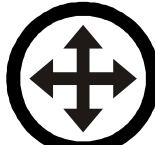






- The weight capacity of the TPP may be LIMITED to the lowest weight capacity of any other component or accessory used within the mounting system.

--SAVE THESE INSTRUCTIONS--

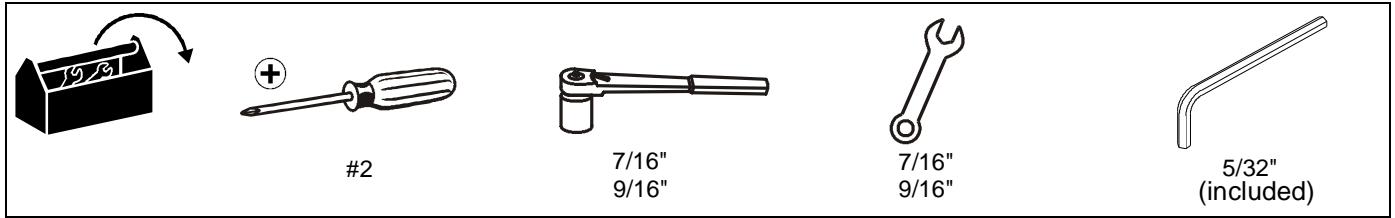
DIMENSIONS



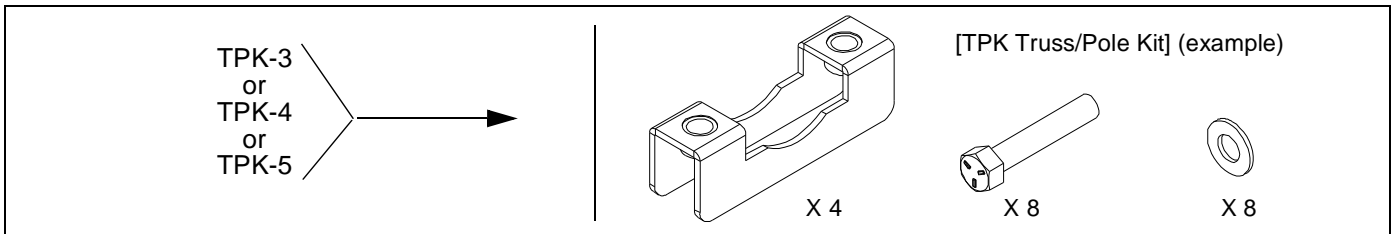
LEGEND

	<p>Tighten Fastener</p> <p>Apretar elemento de fijación</p> <p>Befestigungsteil festziehen</p> <p>Apertar fixador</p> <p>Serrare il fissaggio</p> <p>Bevestiging vastdraaien</p> <p>Serrez les fixations</p>		<p>Pencil Mark</p> <p>Marcar con lápiz</p> <p>Stiftmarkierung</p> <p>Marcar com lápis</p> <p>Segno a matita</p> <p>Potloodmerkten</p> <p>Marquage au crayon</p>
	<p>Measure</p> <p>Medir</p> <p>Messen</p> <p>Medir</p> <p>Misurare</p> <p>Meten</p> <p>Mesurer</p>		<p>Drill Hole</p> <p>Perforar</p> <p>Bohrloch</p> <p>Fazer furo</p> <p>Praticare un foro</p> <p>Gat boren</p> <p>Percez un trou</p>
	<p>Phillips Screwdriver</p> <p>Destornillador Phillips</p> <p>Kreuzschlitzschraubendreher</p> <p>Chave de fendas Phillips</p> <p>Cacciavite a stella</p> <p>Kruiskopschroevendraaier</p> <p>Tournevis à pointe cruciforme</p>		<p>Adjust</p> <p>Ajustar</p> <p>Einstellen</p> <p>Ajustar</p> <p>Regolare</p> <p>Afstellen</p> <p>Ajuster</p>
	<p>By Hand</p> <p>A mano</p> <p>Von Hand</p> <p>Com a mão</p> <p>A mano</p> <p>Met de hand</p> <p>À la main</p>		<p>Optional</p> <p>Opcional</p> <p>Optional</p> <p>Opcional</p> <p>Opzionale</p> <p>Optie</p> <p>En option</p>
	<p>Hex-Head Wrench</p> <p>Llave de cabeza hexagonal</p> <p>Sechskantschlüssel</p> <p>Chave de cabeça sextavada</p> <p>Chiave esagonale</p> <p>Zeskantsleutel</p> <p>Clé à tête hexagonale</p>		<p>Security Wrench</p> <p>Llave de seguridad</p> <p>Sicherheitsschlüssel</p> <p>Chave de segurança</p> <p>Chiave di sicurezza</p> <p>Veiligheidssleutel</p> <p>Clé de sécurité</p>
	<p>Hammer</p> <p>Martillo</p> <p>Hammer</p> <p>Martelo</p> <p>Martello</p> <p>Hamer</p> <p>Marteau</p>		<p>Open-Ended Wrench</p> <p>Llave de boca</p> <p>Gabelschlüssel</p> <p>Chave de bocas</p> <p>Chiave a punte aperte</p> <p>Steeksleutel</p> <p>Clé à fourche</p>

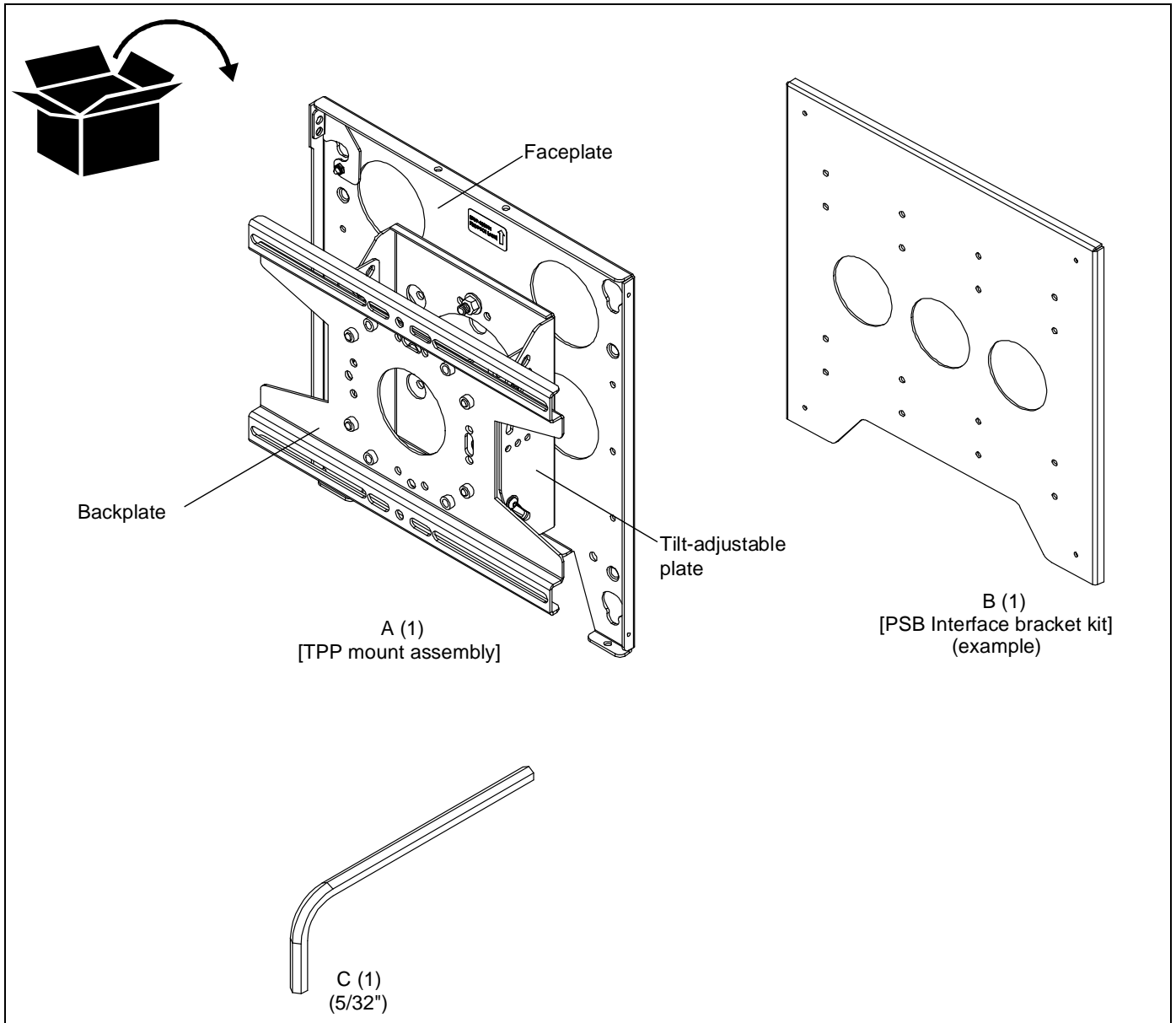
TOOLS REQUIRED FOR INSTALLATION



REQUIRED PARTS (NOT INCLUDED)



PARTS



INSTALLATION



WARNING: Failure to provide adequate structural strength for this component can result in serious personal injury or damage to equipment! It is the installer's responsibility to make sure the structure to which this component is attached can support five times the combined weight of all equipment. Reinforce the structure as required before installing the component.

The TPP assembly ships configured for vertical pole mounting. The TPP can be reconfigured to attach to horizontal pipes.

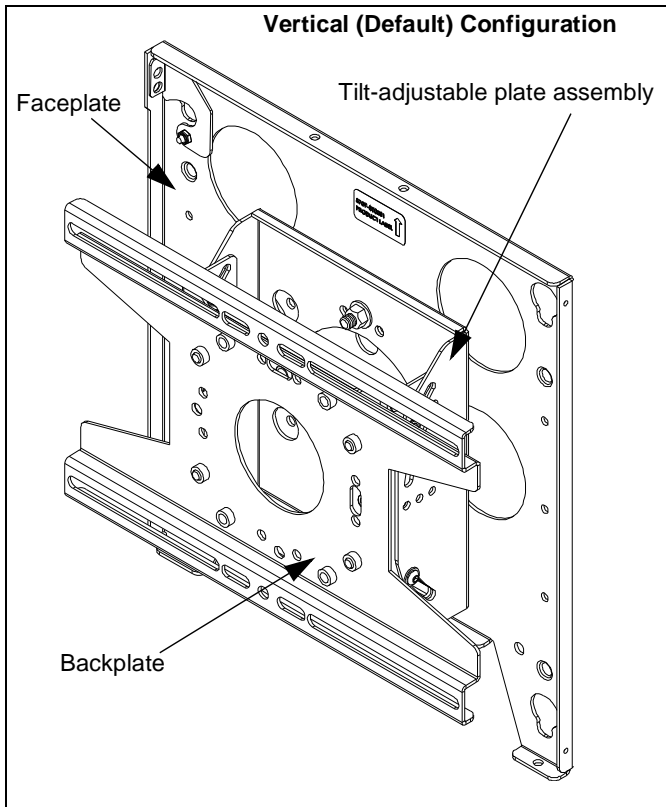


Figure 1

To change the TPP for horizontal pole mounting, proceed to **Horizontal Installation** section. To use the TPP in the vertical configuration, proceed to **Vertical Installation** section.

Horizontal Installation

1. Detach backplate from tilt adjustable plate/faceplate assembly by removing the four hex head cap screws. (See Figure 2)

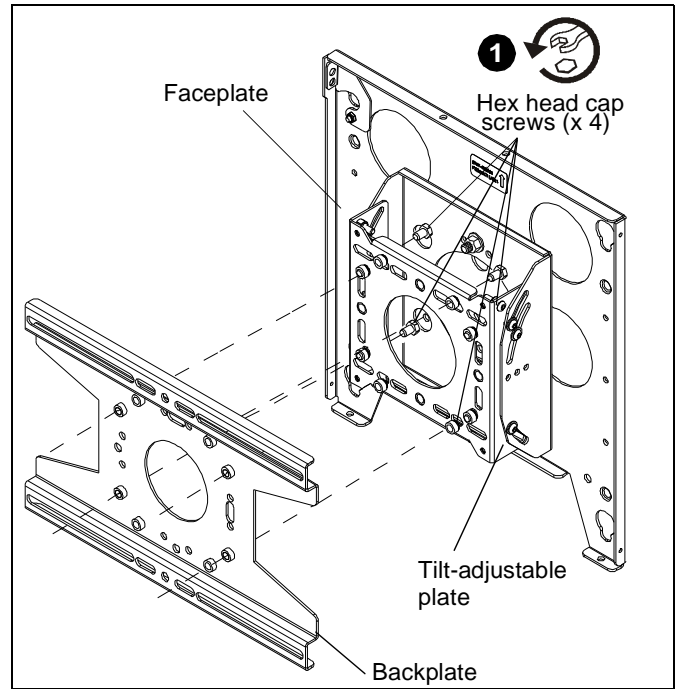


Figure 2

2. Rotate the backplate 90°.

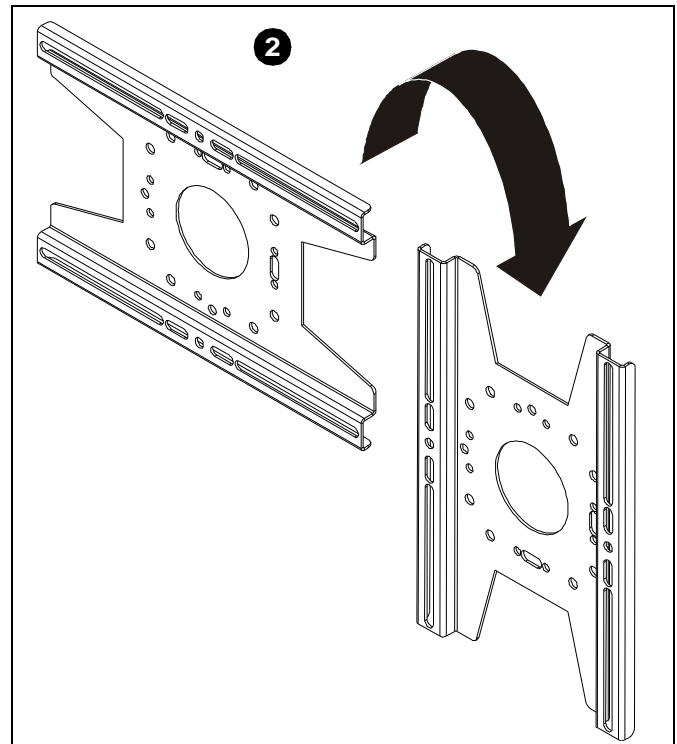


Figure 3

3. Re-attach backplate to tilt-adjustable plate/faceplate assembly using the four hex head cap screws (inserted from inside the tilt-adjustment plate). (See Figure 4)

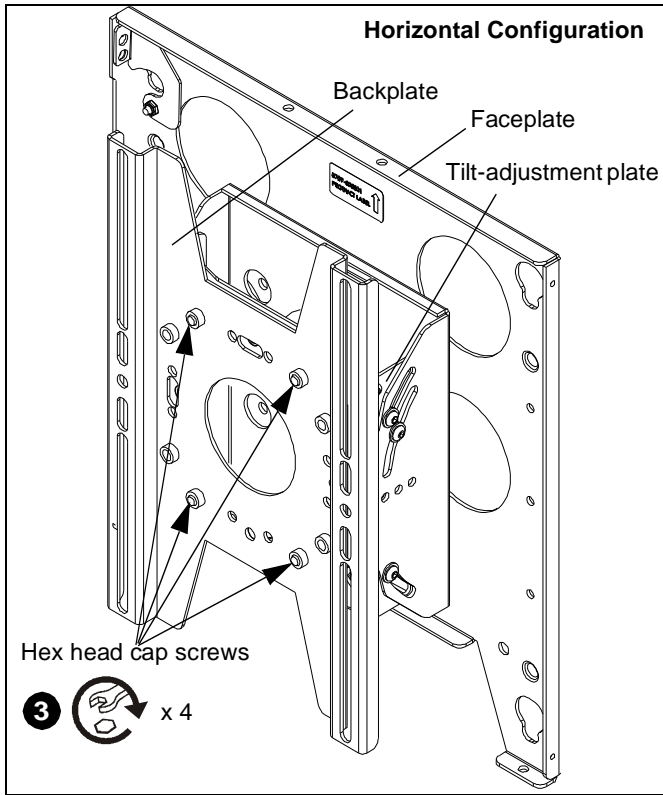


Figure 4

4. Securely anchor TPP assembly to horizontal poles using Chief TPK accessory clamps (not included) following instructions included with TPK kit. (See Figure 5)

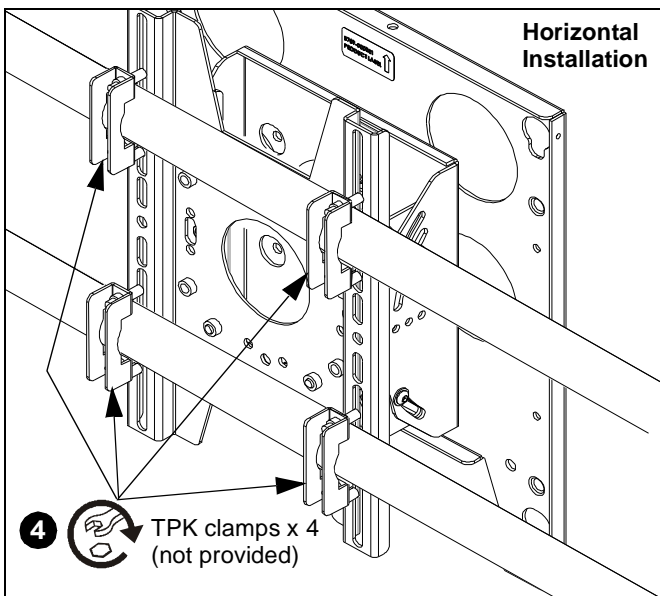


Figure 5

5. Proceed to **Display Installation** section.

Vertical Installation

The TPP assembly ships configured for vertical pole mounting.

1. Securely anchor TPP backplate to vertical poles using Chief TPK accessory clamps (not included) following instructions included with TPK kit. (See Figure)

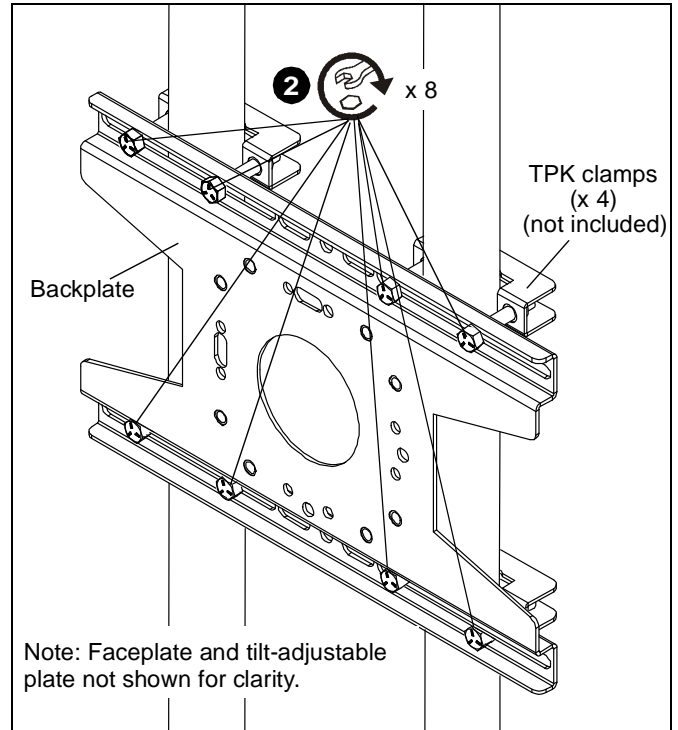


Figure 6

Display Installation

IMPORTANT ! : Make sure no power is supplied to the display and the latching flag on the TPP is in the unlocked position before attempting to attach the display. (See Figure 7)

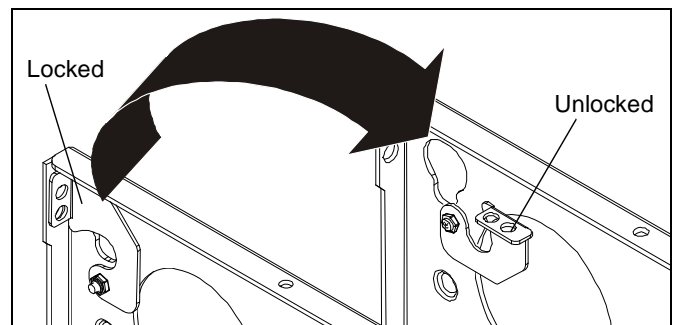


Figure 7



WARNING: Exceeding the weight capacity can result in serious personal injury or damage to equipment! It is the installer's responsibility to make sure the combined weight of all components attached to the TPP does not exceed 150 lbs (68.04 kg).

1. Attach PSB interface bracket (B) to display using the instructions included with the PSB package.
2. Using two people, slide display with attached interface bracket (B) down over the four slots in the faceplate of the TPP (A). Make sure all four mounting buttons engage all four Q-Latch slots in the TPP (A). (See Figure 8)

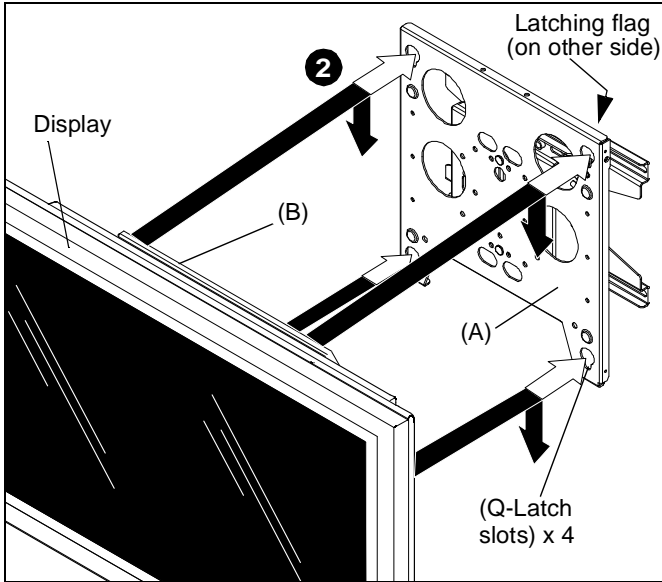


Figure 8

3. With the mounting buttons of the display fully engaged in the slots of the TPP (A), secure the display on the TPP by raising the flag all the way up to the locked position. (See Figure 9)

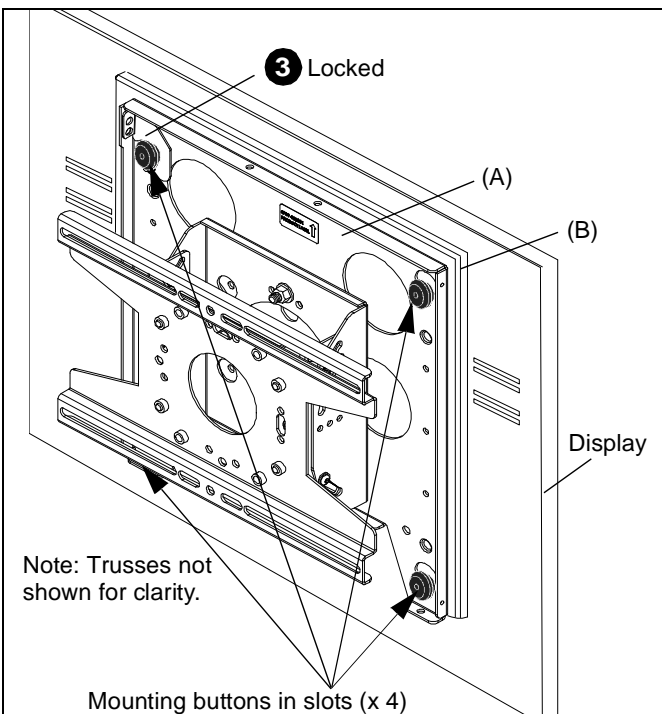


Figure 9

4. If the flag does not fully engage, remove the display and make sure all four mounting buttons are fully engaged in slots.

NOTE: A security lock may be installed through the hole in the Q-Latch flag for added security. See **(Optional) Security Lock** section.

Tilt Adjustment



WARNING: IMPROPER HANDLING CAN LEAD TO DISPLAY FALLING CAUSING SERIOUS PERSONAL INJURY OR DAMAGE TO EQUIPMENT! Inadequate support of display while adjusting tilt may cause display to fall! Watch for pinch points. Do not put your fingers between movable parts.

1. Loosen tilt adjustment screws, adjust to desired tilt (up to 15°), and tighten tilt adjustment screws. (See Figure 10)

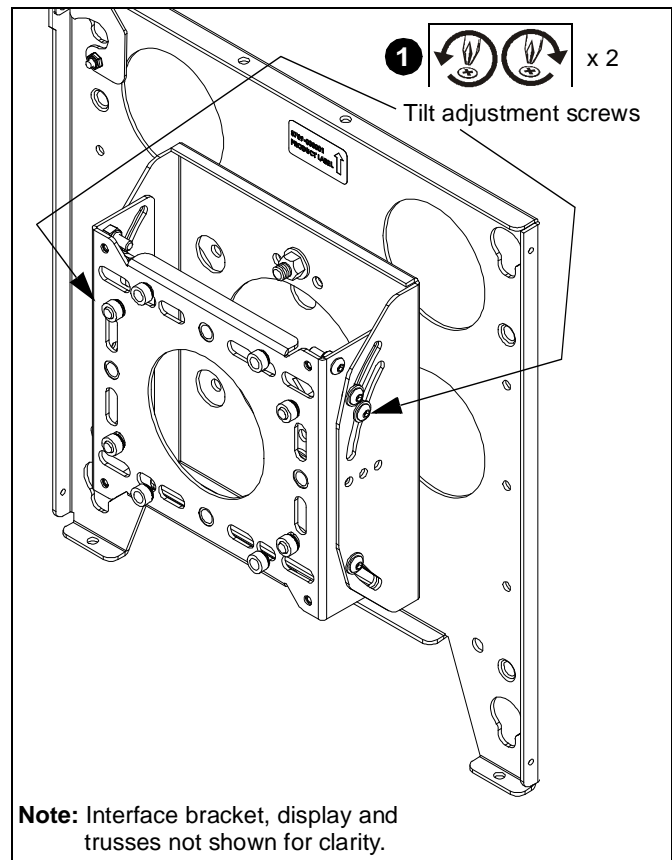


Figure 10

(Optional) Locking Angle Tilt Holes

The TPP can be tilted up to 15 degrees, and features three holes used to set specific tilt (0°, 5° and 10°).

1. Loosen tilt adjustment screws, adjust to desired tilt, and tighten tilt adjustment screws. (See Figure 11)
2. Install 1/4" fastener (Grade 2 or better) (not provided) into desired degree tilt hole (See Figure 11):
 - 0° (outside hole)
 - 5° (middle hole)
 - 10° (inside hole)

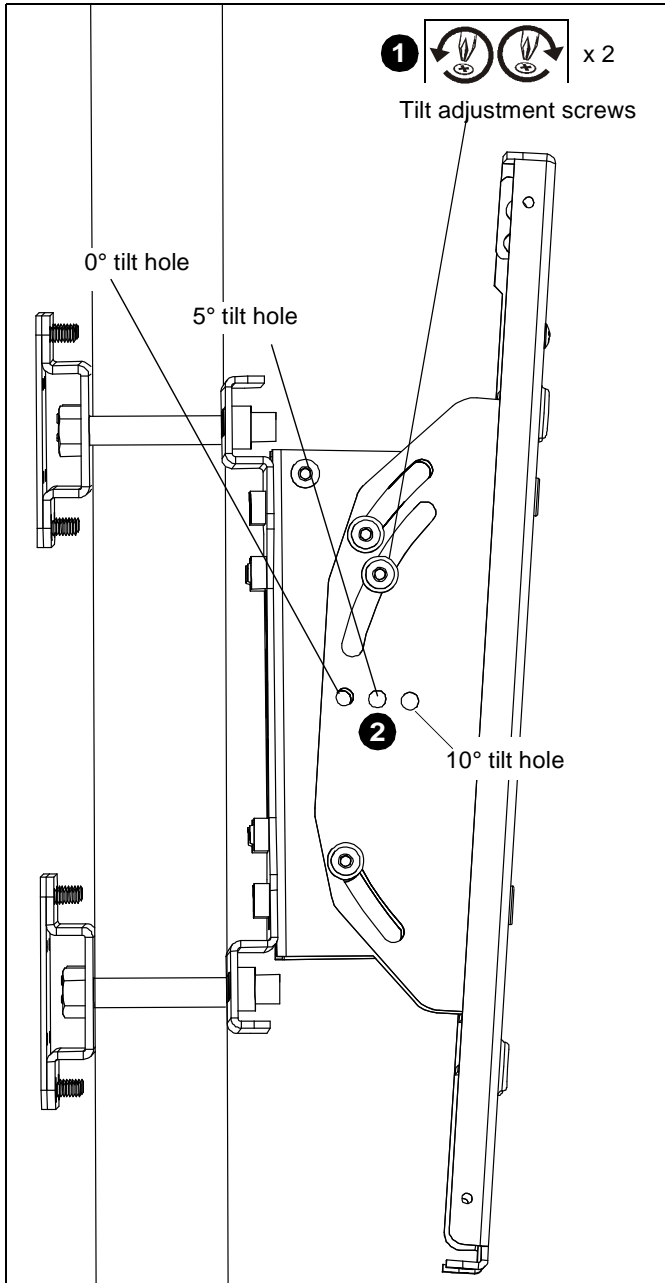


Figure 11

Removing the Display



WARNING: IMPROPER HANDLING CAN LEAD TO DISPLAY FALLING CAUSING SERIOUS PERSONAL INJURY OR DAMAGE TO EQUIPMENT! Inadequate support of display while removing it may cause display to fall! Watch for pinch points. Do not put your fingers between movable parts.



WARNING: Ensure Q-Latch flag securing display is completely raised at all times except when removing or installing display. The flag must be all the way up when installing or removing cables.

1. With display securely supported, unlock display from TPP (A) by lowering the flag all the way down to the unlocked position. (See Figure 12)

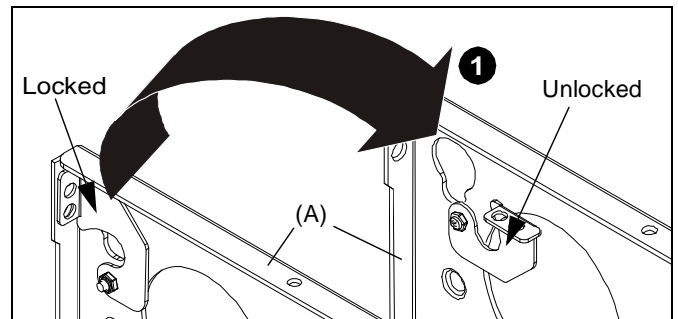


Figure 12

2. Using two people, slide display up and out of TPP (A). (See Figure 13)

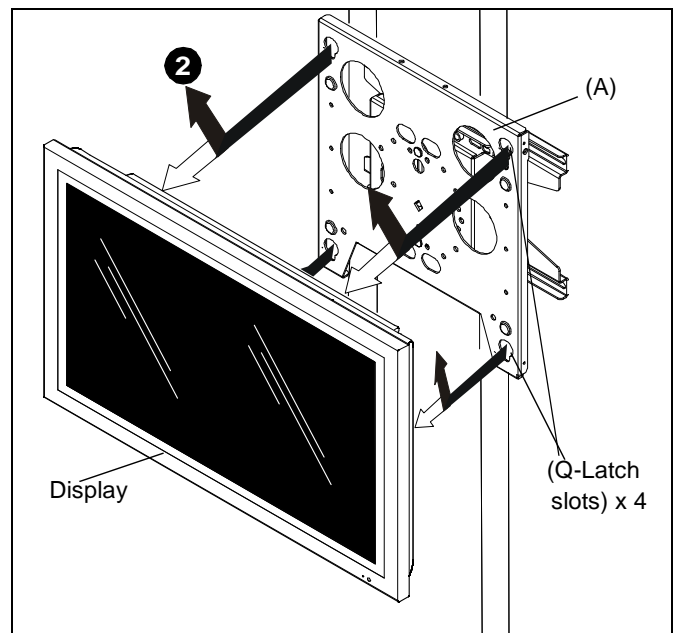


Figure 13

(Optional) Security Lock

A hole is provided in the Q-Latch flag and faceplate to accommodate the insertion of a padlock (not included) or similar locking device.

1. Insert padlock through lower hole in Q-Latch flag and face plate. (See Figure 14)

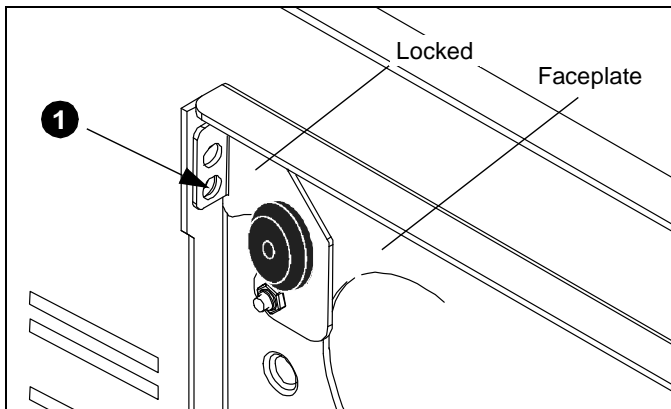


Figure 14



Our Mounts. **Your Vision.**

Chief, a products division of
Milestone AV Technologies

8800-002566 Rev00
©2014 Milestone AV Technologies
www.chiefmfg.com
04/14

USA/International	<p>A 6436 City West Parkway, Eden Prairie, MN 55344 P 800.582.6480 / 952.225.6000 F 877.894.6918 / 952.894.6918</p>
Europe	<p>A Franklinstraat 14, 6003 DK Weert, Netherlands P +31 (0) 495 580 852 F +31 (0) 495 580 845</p>
Asia Pacific	<p>A Office No. 1 on 12/F, Shatin Galleria 18-24 Shan Mei Street Fotan, Shatin, Hong Kong P 852 2145 4099 F 852 2145 4477</p>

