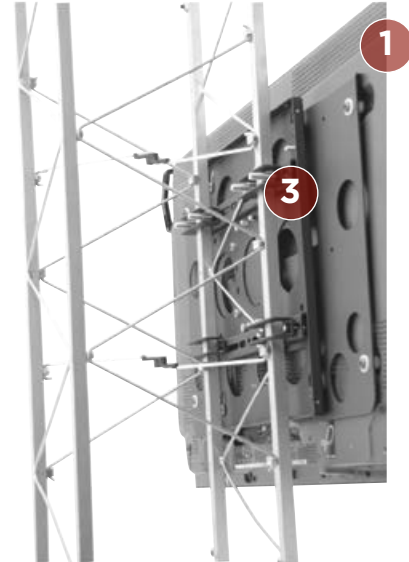




FEATURES

- 1 LOW PROFILE**
Fits snugly against truss or poles for an integrated look.
- 2 PORTRAIT/LANDSCAPE CAPABILITY**
Mounts in either portrait or landscape position.
- 3 Q-LATCH® MOUNTING SYSTEM**
Screen secures to mount with a latching flag. Easy to connect/disconnect - no tools needed! Protect display by adding a padlock.



SPECIFICATIONS

Weight Capacity 150 lbs (68 kg)

Color Black

WHAT YOU NEED TO KNOW

ORDERING OPTIONS

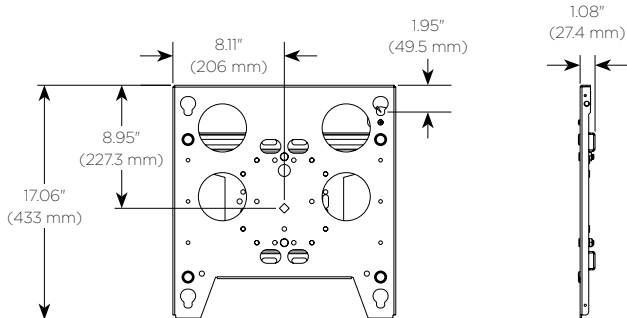
Available in custom and universal.

- TPSU = Universal 37 - 61" (The Universal Interface Bracket [PSBU] will automatically be included.)
- TPSxxxx = Custom (see MountFinder™ Pro at chiefmfg.com)

INSTALLATION RECOMMENDATION

Ideal for tradeshow environments!

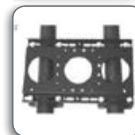
TECHNICAL DRAWINGS



RECOMMENDED ACCESSORIES



TPK1/TPK2 Pole Kits (TPK2 shown)



TPK3/TPK4/TPK5 Truss Kits (TPK5 shown)

For a complete list of TV mount accessories see page 86.