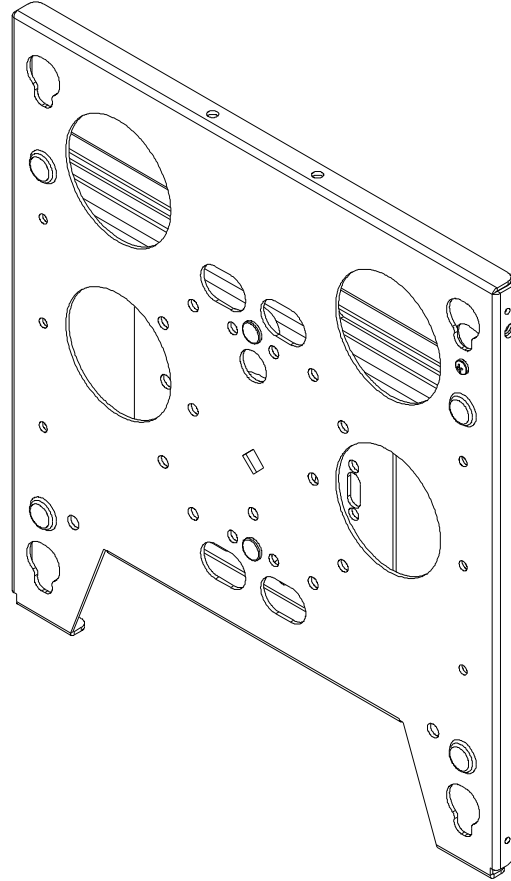

INSTALLATION INSTRUCTIONS




Truss/Pole Static Mount


DISCLAIMER


Milestone AV Technologies, and its affiliated corporations and subsidiaries (collectively, "Milestone"), intend to make this manual accurate and complete. However, Milestone makes no claim that the information contained herein covers all details, conditions or variations, nor does it provide for every possible contingency in connection with the installation or use of this product. The information contained in this document is subject to change without notice or obligation of any kind. Milestone makes no representation of warranty, expressed or implied, regarding the information contained herein. Milestone assumes no responsibility for accuracy, completeness or sufficiency of the information contained in this document.


Chief® is a registered trademark of Milestone AV Technologies. All rights reserved.


IMPORTANT SAFETY INSTRUCTIONS!

 **WARNING:** A WARNING alerts you to the possibility of serious injury or death if you do not follow the instructions.


 **CAUTION:** A CAUTION alerts you to the possibility of damage or destruction of equipment if you do not follow the corresponding instructions.


 **WARNING:** Failure to read, thoroughly understand, and follow all instructions can result in serious personal injury, damage to equipment, or voiding of factory warranty! It is the installer's responsibility to make sure all components are properly assembled and installed using the instructions provided.


 **WARNING:** Failure to provide adequate structural strength for this component can result in serious personal injury or damage to equipment! It is the installer's responsibility to make sure the structure to which this component is attached can support five times the combined weight of all equipment. Reinforce the structure as required before installing the component.

 **WARNING:** Exceeding the weight capacity can result in serious personal injury or damage to equipment! It is the installer's responsibility to make sure the combined weight of all components attached to the TPS does not exceed 150 lbs (68.04 kg).

- The weight capacity of the TPS may be LIMITED to the lowest weight capacity of any other component or accessory used within the mounting system.

 **WARNING:** Use this mounting system only for its intended use as described in these instructions. Do not use attachments not recommended by the manufacturer.

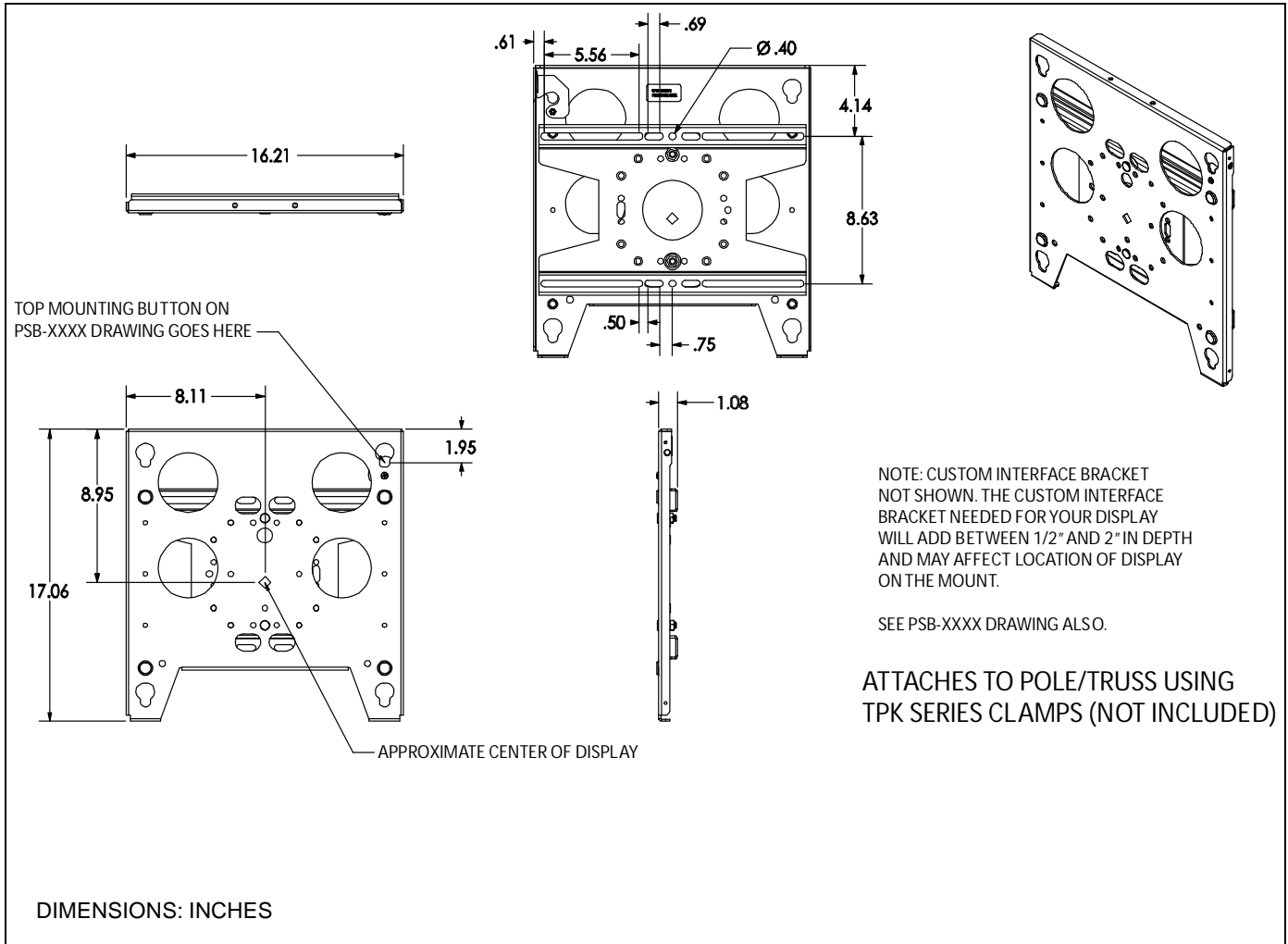
 **WARNING:** Never operate this mounting system if it is damaged. Return the mounting system to a service center for examination and repair.

 **WARNING:** Do not use this product outdoors.






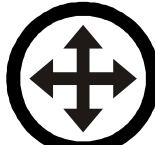






IMPORTANT ! : The TPS mount is designed for installation to a variety of pipe/truss dimensions and can span a distance of up to 14" O.D.

--SAVE THESE INSTRUCTIONS--

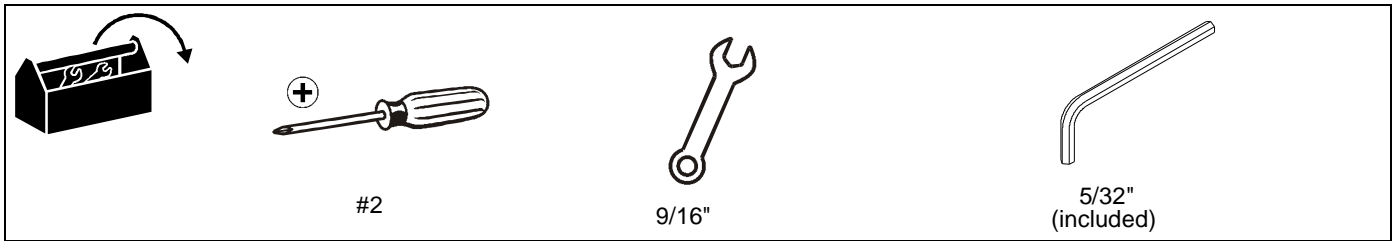
DIMENSIONS



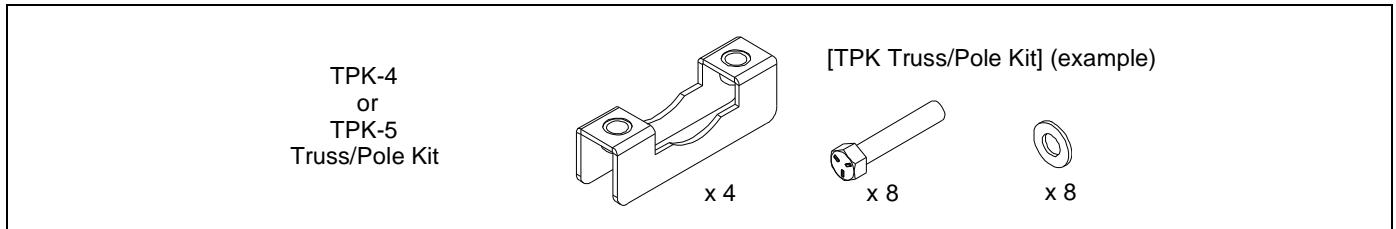
LEGEND

	<p>Tighten Fastener</p> <p>Apretar elemento de fijación</p> <p>Befestigungsteil festziehen</p> <p>Apertar fixador</p> <p>Serrare il fissaggio</p> <p>Bevestiging vastdraaien</p> <p>Serrez les fixations</p>		<p>Pencil Mark</p> <p>Marcar con lápiz</p> <p>Stiftmarkierung</p> <p>Marcar com lápis</p> <p>Segno a matita</p> <p>Potloodmerkten</p> <p>Marquage au crayon</p>
	<p>Measure</p> <p>Medir</p> <p>Messen</p> <p>Medir</p> <p>Misurare</p> <p>Meten</p> <p>Mesurer</p>		<p>Drill Hole</p> <p>Perforar</p> <p>Bohrloch</p> <p>Fazer furo</p> <p>Praticare un foro</p> <p>Gat boren</p> <p>Percez un trou</p>
	<p>Phillips Screwdriver</p> <p>Destornillador Phillips</p> <p>Kreuzschlitzschraubendreher</p> <p>Chave de fendas Phillips</p> <p>Cacciavite a stella</p> <p>Kruiskopschroevendraaier</p> <p>Tournevis à pointe cruciforme</p>		<p>Adjust</p> <p>Ajustar</p> <p>Einstellen</p> <p>Ajustar</p> <p>Regolare</p> <p>Afstellen</p> <p>Ajuster</p>
	<p>By Hand</p> <p>A mano</p> <p>Von Hand</p> <p>Com a mão</p> <p>A mano</p> <p>Met de hand</p> <p>À la main</p>		<p>Optional</p> <p>Opcional</p> <p>Optional</p> <p>Opcional</p> <p>Opzionale</p> <p>Optie</p> <p>En option</p>
	<p>Hex-Head Wrench</p> <p>Llave de cabeza hexagonal</p> <p>Sechskantschlüssel</p> <p>Chave de cabeça sextavada</p> <p>Chiave esagonale</p> <p>Zeskantsleutel</p> <p>Clé à tête hexagonale</p>		<p>Security Wrench</p> <p>Llave de seguridad</p> <p>Sicherheitsschlüssel</p> <p>Chave de segurança</p> <p>Chiave di sicurezza</p> <p>Veiligheidssleutel</p> <p>Clé de sécurité</p>
	<p>Hammer</p> <p>Martillo</p> <p>Hammer</p> <p>Martelo</p> <p>Martello</p> <p>Hamer</p> <p>Marteau</p>		<p>Open-Ended Wrench</p> <p>Llave de boca</p> <p>Gabelschlüssel</p> <p>Chave de bocas</p> <p>Chiave a punte aperte</p> <p>Steeksleutel</p> <p>Clé à fourche</p>

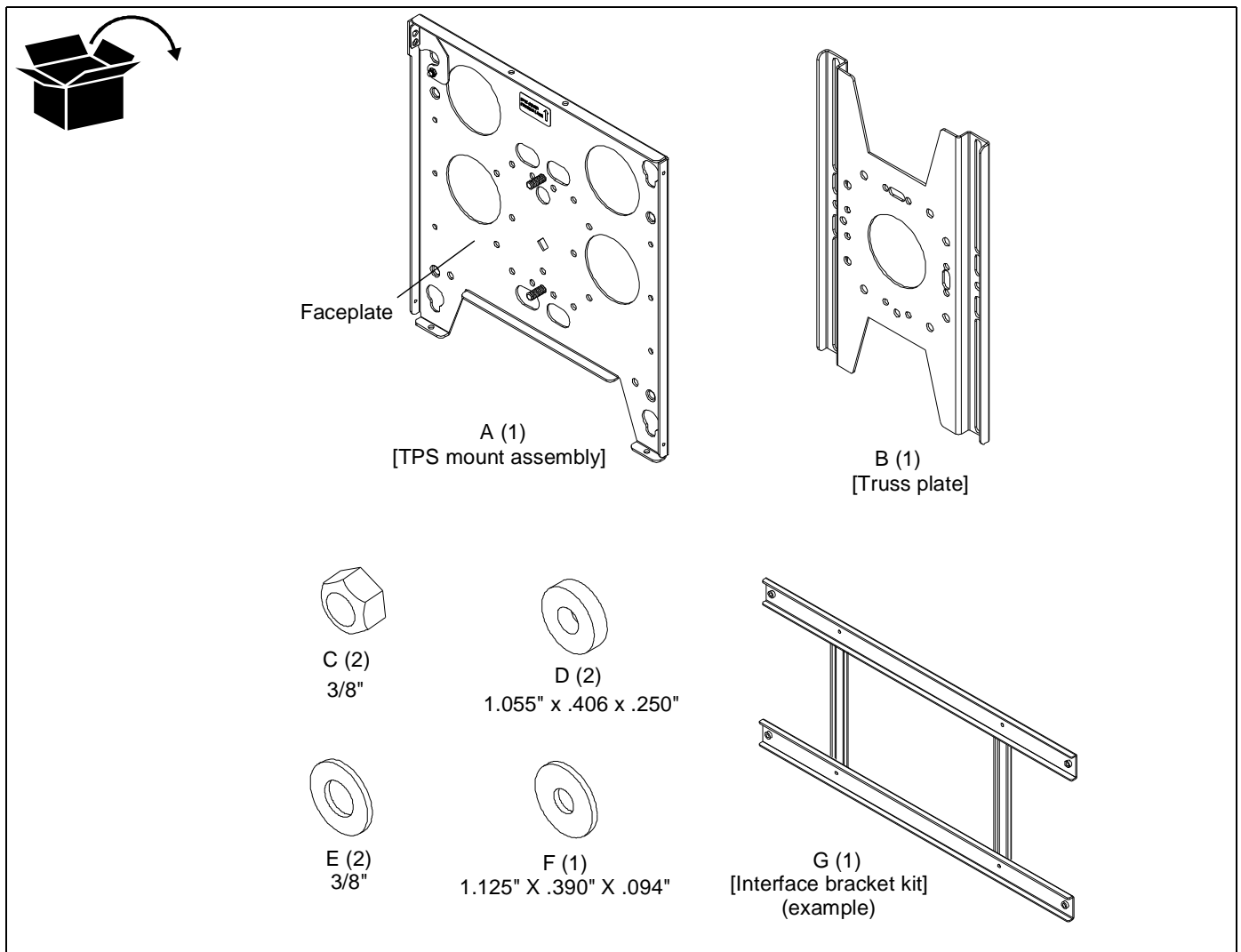
TOOLS REQUIRED FOR INSTALLATION



REQUIRED PARTS (NOT INCLUDED)



PARTS



INSTALLATION



WARNING: Failure to provide adequate structural strength for this component can result in serious personal injury or damage to equipment! It is the installer's responsibility to make sure the structure to which this component is attached can support five times the combined weight of all equipment. Reinforce the structure as required before installing the component.

The TPS assembly is designed to accommodate vertical or horizontal truss/pole mounting. For horizontal pole mounting, proceed to **Horizontal Installation** section. To use the TPS in the vertical configuration, proceed to **Vertical Installation** section.

Vertical Installation

1. Verify truss plate (B) is properly oriented for installation. (See Figure 1)

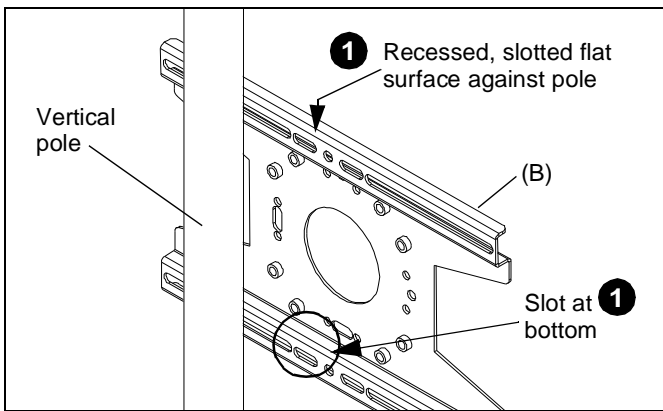


Figure 1

2. Securely anchor truss plate (B) to pole using Chief TPK clamp kit (not included) following instructions and using hardware included in kit. (See Figure 2) and (See Figure 3)

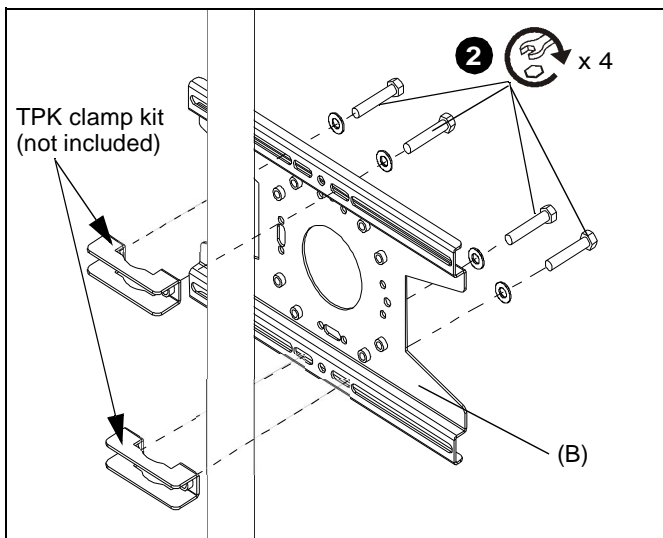


Figure 2

NOTE: The orientation of the truss plate (B) when mounted on a truss is the same as when mounted on a pole. The number of clamps required will depend on the number of trusses used for installation. (See Figure 3)

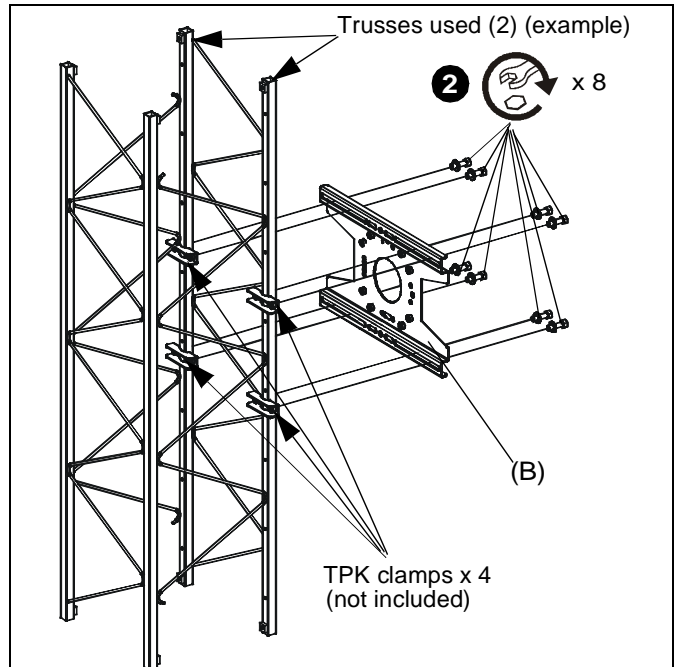


Figure 3

3. Position faceplate (A) in front of truss plate ensuring the mounting studs face the truss plate. (See Figure 4)

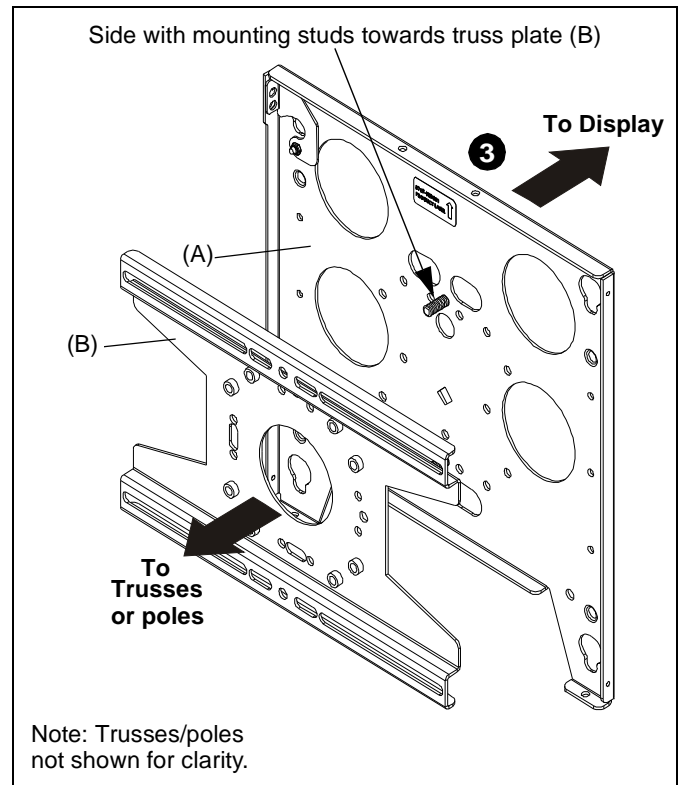


Figure 4

4. Align mounting studs on faceplate (A) with center upper mounting hole and lower center slot in truss plate (B).
5. Install two 1.055" x .406" x .250" Nylon spacers (D) onto mounting studs on TPS faceplate (A). (See Figure 5)
6. Place the two mounting studs on faceplate through center upper mounting hole and lower center slot in truss plate (B).
7. Secure top of TPS faceplate (A) to truss plate (B) using one 3/8" flat washer (E), and one 3/8" Stover lock nut (C). (See Figure 5)

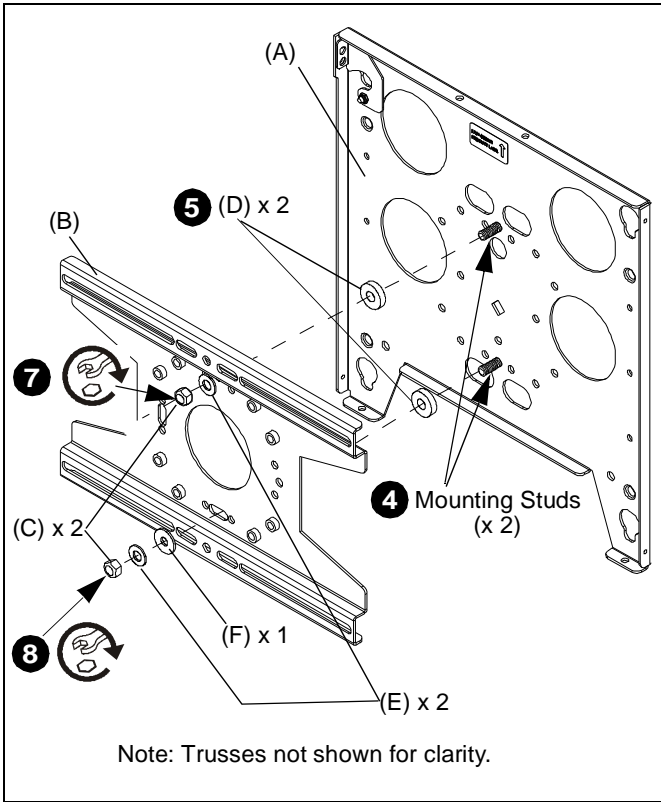


Figure 5

8. Secure bottom of TPS faceplate (A) to truss plate (B) using one .094" washer (F), one 3/8" flat washer (E), and one 3/8" Stover lock nut (C). (See Figure 5)
9. Proceed to **Display Installation** section.

Horizontal Installation

1. Rotate the truss plate (B) 90° and verify it is properly oriented for horizontal mounting. (See Figure 6)

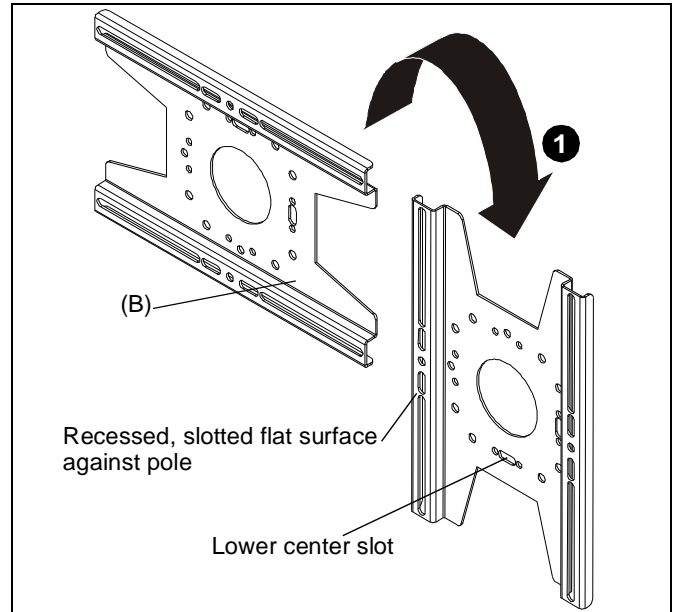


Figure 6

2. Securely anchor truss plate (B) to horizontal pole using Chief TPK accessory clamps (not included) following instructions included with TPK clamp kit. (See Figure 7)

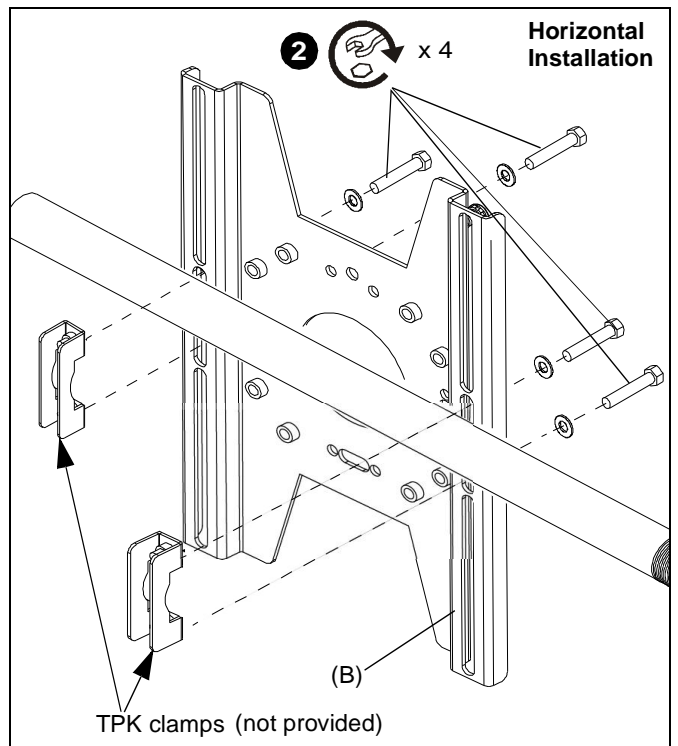


Figure 7

- Secure top of faceplate (A) to the truss plate (B) using one 3/8" flat washer (E) and one 3/8" Stover lock nut (C). (See Figure 8)
- Secure bottom of TPS faceplate (A) to the truss plate (B) using one .094" washer (F), one 3/8" flat washer (E) and one 3/8" Stover lock nut (C). (See Figure 8)

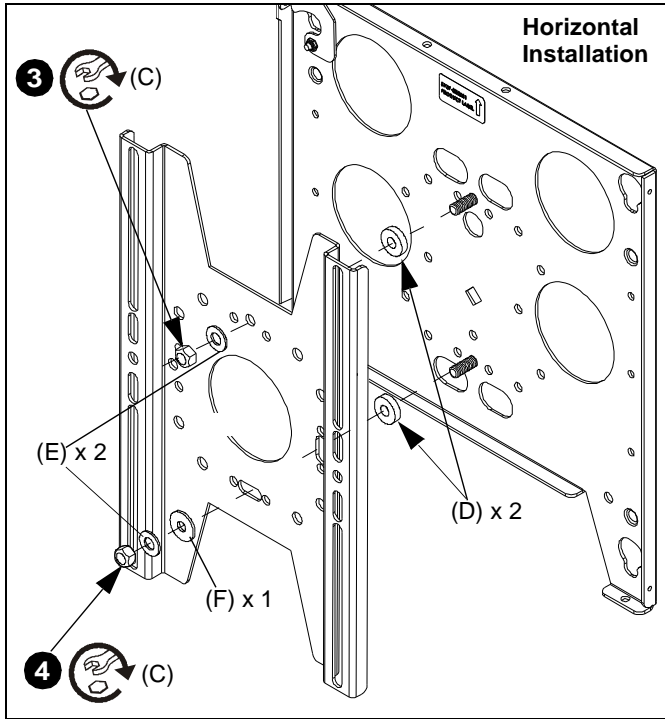


Figure 8

DISPLAY INSTALLATION

WARNING: Exceeding the weight capacity can result in serious personal injury or damage to equipment! It is the installer's responsibility to make sure the combined weight of all components attached to the TPS does not exceed 150 lbs (68.04 kg).

IMPORTANT ! : Make sure no power is supplied to the display and the latching flag on the TPS is in the unlocked position before attempting to attach the display. (See Figure 9)

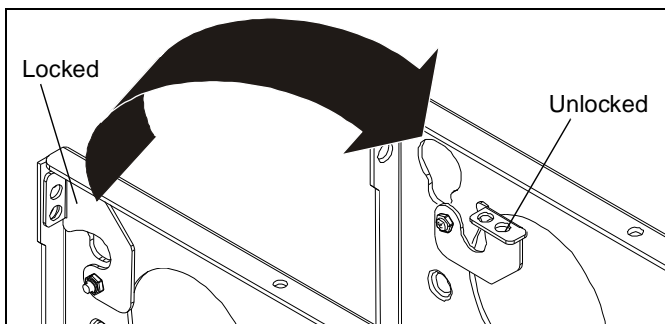


Figure 9

- Attach interface bracket (G) to display using the instructions included with the interface bracket kit.
- Lift and maneuver display such that all mounting buttons fit into mounting slots on TPS faceplate (A). (See Figure 10)

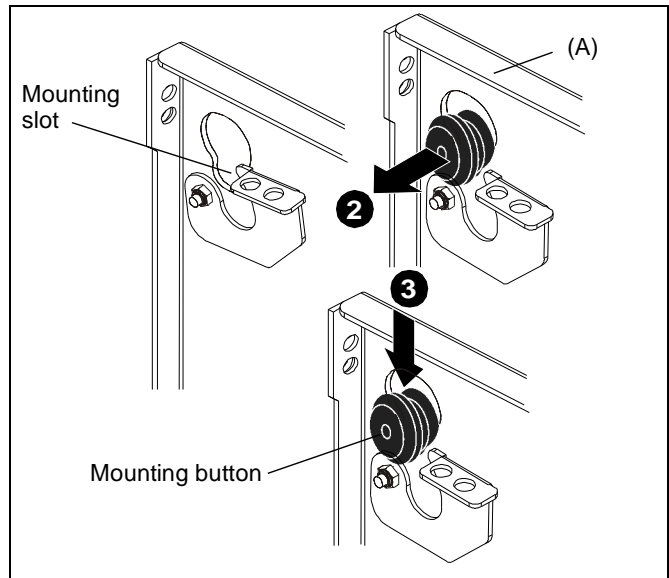


Figure 10

- Lower display firmly into place. Ensure each button has fully seated in its mounting slot. (See Figure 10) and (See Figure 11)

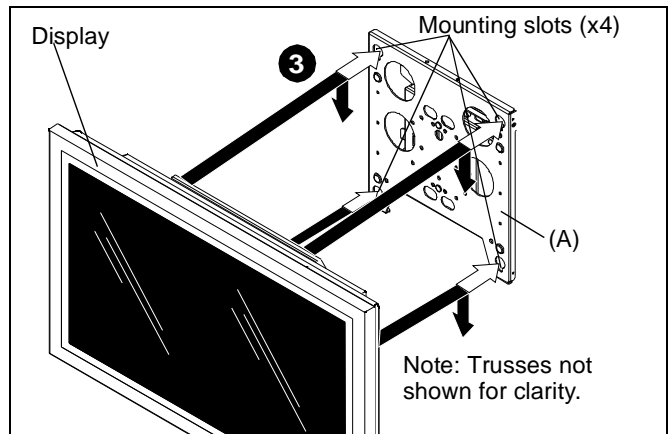


Figure 11

4. With the mounting buttons of the display fully engaged in the slots of the TPS (A), secure display to the TPS by raising the Q-Latch flag all the way up to the locked position. (See Figure 12)

NOTE: If Q-Latch flag does not fully engage, ensure the mounting buttons are fully seated in the lower part of the mounting slots.

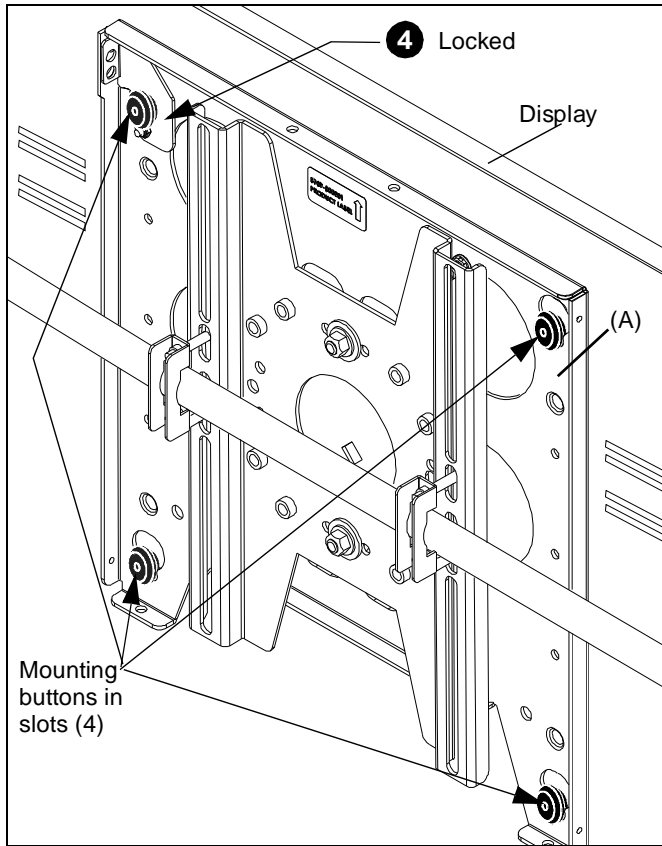


Figure 12

5. Attach all cables to display.

Adjustments

The TPS mount provides for limited roll adjustment to level the display after installation.

To adjust display roll:

1. Loosen the two roll adjustment nuts in upper and lower center holes of truss plate. (See Figure 13)
2. Level the display as desired.
3. Tighten the two roll adjustment nuts. (See Figure 13)

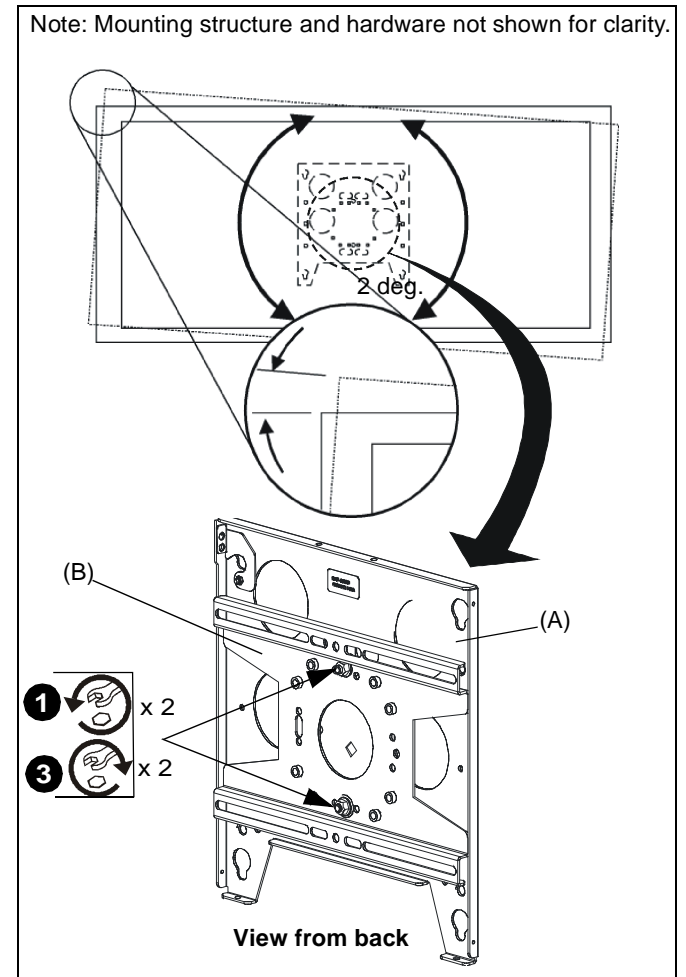


Figure 13

Removing the Display

⚠ WARNING: IMPROPER HANDLING CAN LEAD TO DISPLAY FALLING CAUSING SERIOUS PERSONAL INJURY OR DAMAGE TO EQUIPMENT! Inadequate support of display while removing it may cause display to fall! Watch for pinch points. Do not put your fingers between movable parts.

IMPORTANT ! : Ensure Q-Latch flag securing display is completely raised at all times except when removing or installing display. The flag must be all the way up when installing or removing cables.

1. With display securely supported, unlock display from TPS (A) by lowering the Q-Latch flag all the way down to the unlocked position. (See Figure 14)

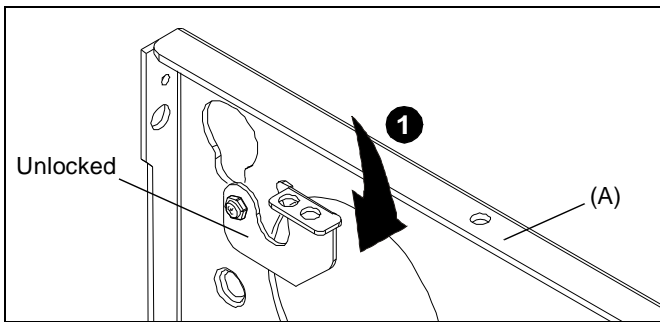


Figure 14

2. Using two people, slide display up and out of TPS (A).

(Optional) Security Lock

A hole is provided in the Q-Latch flag and TPS faceplate (A) to accommodate the insertion of a padlock or similar locking device.

1. Insert padlock (not included) through lower (lined up) holes of Q-Latch flag and TPS faceplate (A). (See Figure 15)

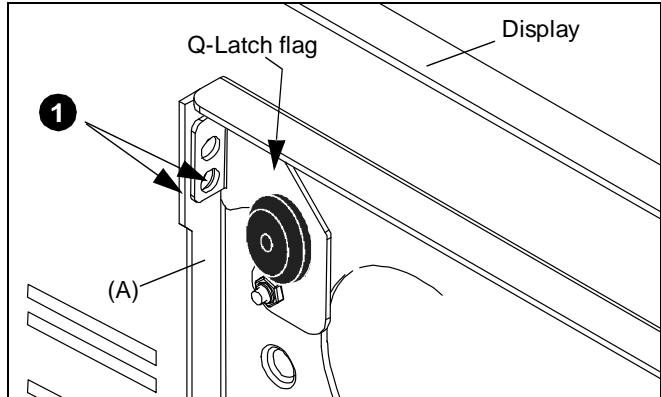


Figure 15



Our Mounts. **Your Vision.**

Chief, a products division of
Milestone AV Technologies

8800-002567 Rev00
©2014 Milestone AV Technologies
www.chiefmfg.com
04/14

USA/International	A 6436 City West Parkway, Eden Prairie, MN 55344
	P 800.582.6480 / 952.225.6000
	F 877.894.6918 / 952.894.6918
Europe	A Franklinstraat 14, 6003 DK Weert, Netherlands
	P +31 (0) 495 580 852
	F +31 (0) 495 580 845
Asia Pacific	A Office No. 1 on 12/F, Shatin Galleria 18-24 Shan Mei Street Fotan, Shatin, Hong Kong
	P 852 2145 4099
	F 852 2145 4477

