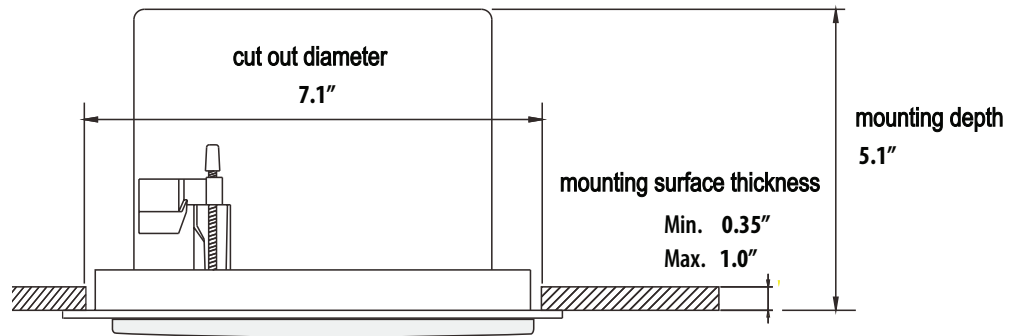


### Installation Manual

Ensure there is a sufficient mounting depth for the speaker. Minimum 5.1" mounting depth is required.

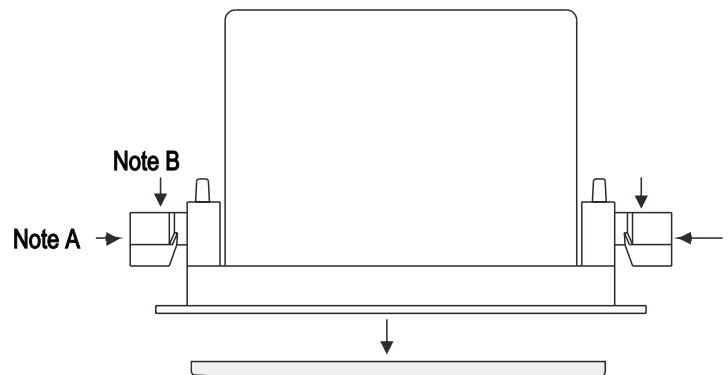
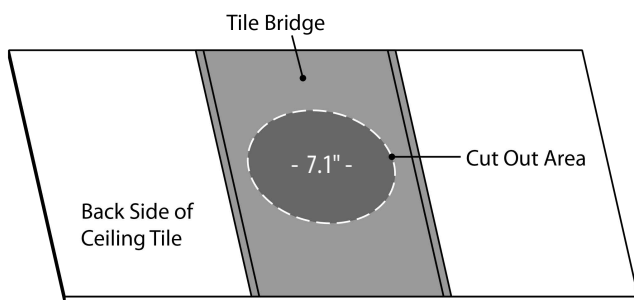
Confirm there is sufficient mounting surface thickness for the speaker. Minimum 0.35", maximum 1".



**STEP 1.** Run the wire from the amplifier location to the speaker location(s) prior to installation. Route the wire above ceiling and drop end of wire down through opening in ceiling where speaker will be placed. Support the wire as required by code or construction standards.

**STEP 2.** Find the center of the ceiling tile by measuring the length and width, marking the 1/2 way point for each measurement. Place Tile Bridge across the ceiling tile and center over your marks. Trace the Tile Bridge cutout circle as a template. Cut along your traced line. The cut out opening diameter should be 7.1".

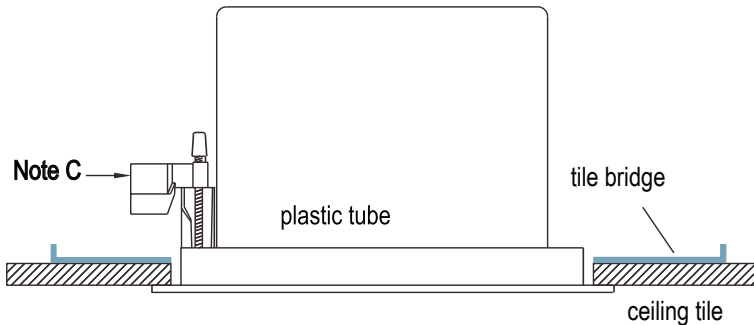
**STEP 3.** Remove front metal mesh speaker grill by arranging the three tabs outward as shown in the drawing's **Note A**. Push them down, one by one as shown in **Note B** to push off the speaker grill.



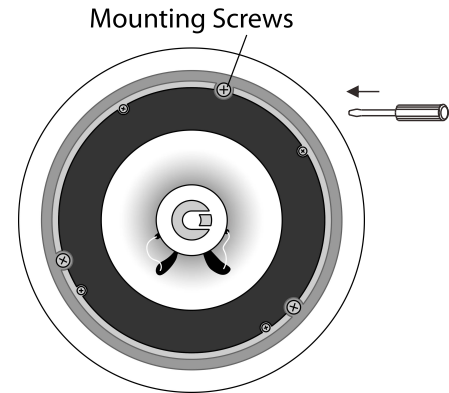
# SP-628 6" 2-Way Ceiling Speaker

## 2. INSTALLATION

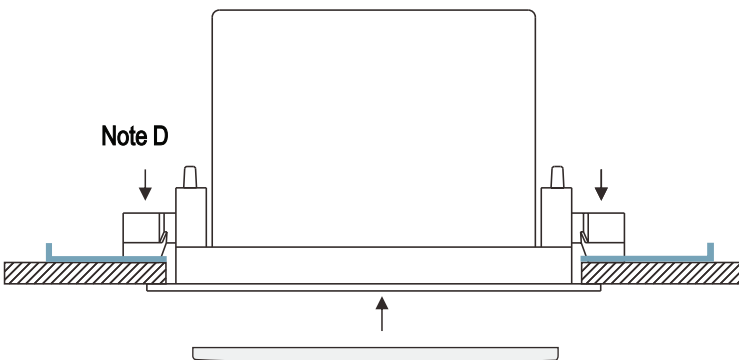
**STEP 4.** When mounting on a suspended ceiling tile, always use a metal tile bridge such as the TeachLogic TB-6.1 Tile Bridge to support the weight of the speaker. With the tile bridge held in place, gently guide the back of the speaker through the front of the ceiling tile.



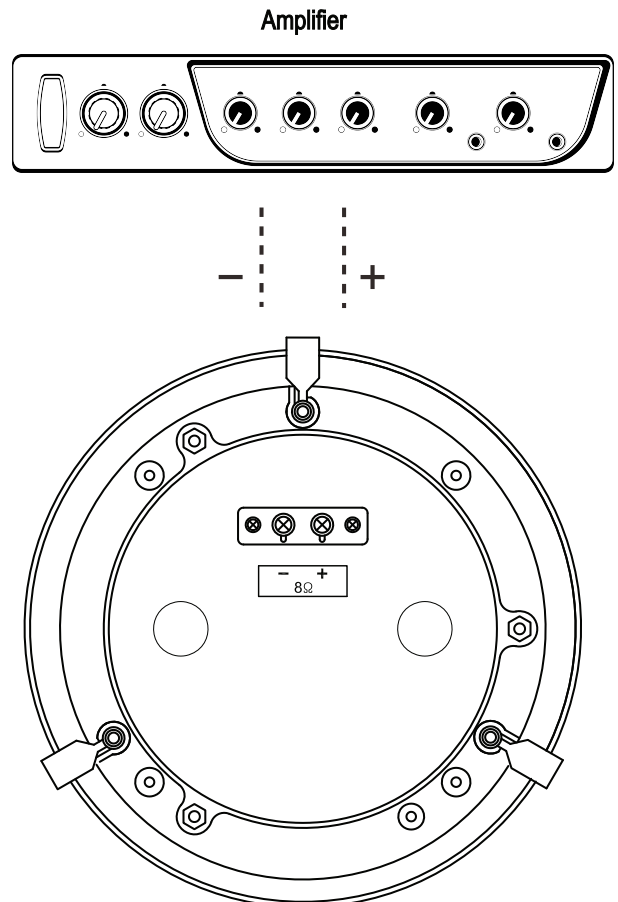
**STEP 5.** Secure the speaker to the ceiling tile by tightening the three tabs. THE POSITION OF THE THREE TABS SHOULD BE LOCATED ON TOP OF THE THREE TUBES as shown at **Note C** on the drawing prior to tightening. Tighten the three screws one by one.



**STEP 6.** As the screws are tightened, the tabs will turn outward then begin descending to engage and press against the mounting surface as in **Note D**. Take care to see that they turn out and do not bind before sandwiching the tile bridge and the ceiling tile between the tabs and the speaker front flange. Do not over tighten. After all three screws are tightened and the mounting is secure, reinstall the speaker mesh grill.



**STEP 7.** Take care to connect the wire on + terminal of amplifier to + terminal on speaker and the other wire likewise to - terminals. For best connection, use spade terminals (18 gauge) on wire ends connected to speaker. Once connected, replace ceiling tile into ceiling.



**STEP 8.** Where required by code or construction standards, connect support wire from structure above ceiling to speaker L-bracket and tile bridge through provided support locations as show in **Note E**.

