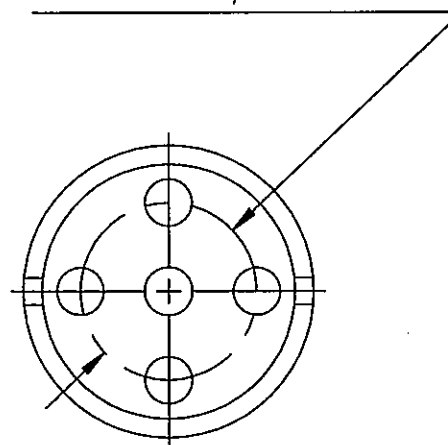
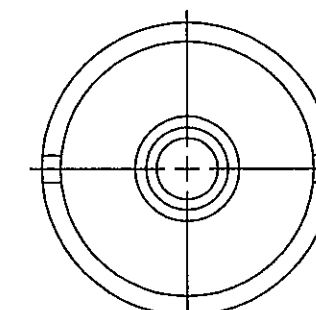


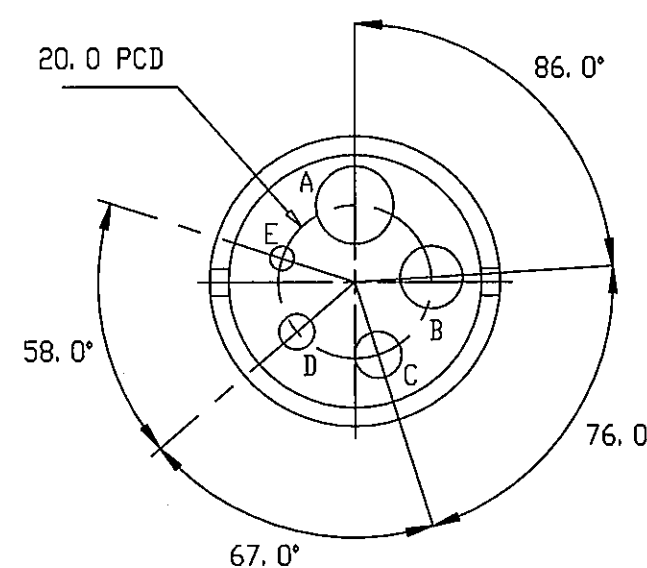
4 HOLES ON  $\phi$  23.0 PCD



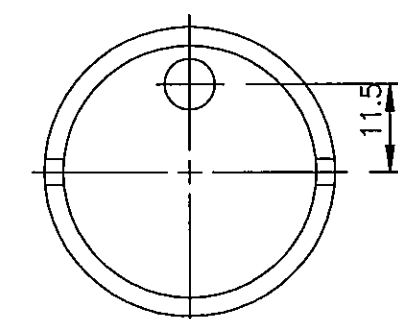
FINSABA & FINSABF



FINSABT

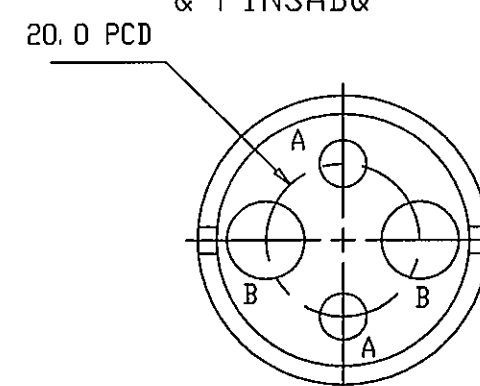


FINSABB & FINSABG



FINSABE & FINSABJ

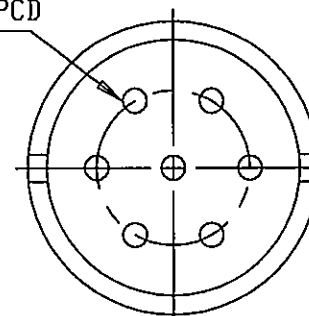
& FINSABQ



FINSABC & FINSABH  
FINSABD & FINSABI

FINSABL FINSABP  
FINSABM FINSABR  
FINSABN FINSABS  
FINSABO FINSABZ

6 HOLES ON 20 PCD



FINSABW

METRIC			
INSERT	DIM X	HOLE DIAMETERS	STAMP
FINSABA	152.4	6.15/6.25 - 5 OFF	A
FINSABB	152.4	A=10.15/10.25 B=8.15/8.25 C=6.15/6.25 D=4.65/4.75 E=3.15/3.25	B
FINSABC	152.4	A=6.15/6.25 B=10.15/10.25	C
FINSABD	152.4	A=6.15/6.25 B=12.20/12.30	D
FINSABE	152.4	6.15/6.25	E
FINSABP	152.4	19.70/19.80	P
FINSABQ	152.4	A=10.15/10.25 B=8.15/8.25 C=6.15/6.25 D=4.15/4.25 E=3.15/3.25	Q
FINSABR	152.4	12.20/12.30	R

IMPERIAL			
INSERT	DIM X	HOLE DIAMETERS	STAMP
FINSABF	152.4	6.50/6.60 - 5 OFF	F
FINSABG	152.4	A=9.68/9.78 B=8.10/8.20 C=6.50/6.60 D=4.91/5.01 E=3.33/3.43	G
FINSABH	152.4	A=6.50/6.60 B=9.68/9.78	H
FINSABI	152.4	A=6.50/6.60 B=12.85/12.95	I
FINSABJ	152.4	6.50/6.60	J
FINSABK	-	BLANK	
FINSABL	152.4	14.45/14.53 (9/16")	L
FINSABM	152.4	16.03/16.13 (5/8")	M

0.8  $\sqrt{\text{R}}$  OR BETTER

OUTSIDE DIAMETER & BORES ARE CRITICAL FOR THERMAL CONTACT & MUST BE FREE FROM ALL SCRATCHES & BLEMISHES

No.	DATE	MOD.
A	23.4.97	
B	5/8/97	ADDED FINSABL, M.N.G. & FINSABZ
1	29/9/97	ECN 1762
2	8/1/98	ECN 1798
3	15/12/99	ECN 1949
4	11/07/00	ECN 2006
5	08/04/04	ECN 2552

PROPRIETARY NOTE  
THIS DRAWING IS THE PROPERTY OF TECHNE (CAMBRIDGE) LTD. AND MUST NOT BE USED, COPIED OR DISCLOSED WITHOUT THEIR WRITTEN CONSENT.

No. OFF	USED ON
	TECAL 650

DRG. No.  
FINSAB-

DO NOT SCALE THIS PRINT

DIMENSIONS IN MILLIMETRES

TOLERANCES UNLESS OTHERWISE STATED. 2 DECIMAL PLACES (e.g. 0.60)  $\pm$ 0.1 1 DECIMAL PLACE (e.g. 0.6)  $\pm$ 0.2

FRACTIONS (e.g. 5 OR 5 1/2)  $\pm$ 0.4 ANGLES  $\pm$ 30 MINUTES

MACHINED DIAMETERS TO BE CONCENTRIC TO WITHIN 0.1 F. I. M.

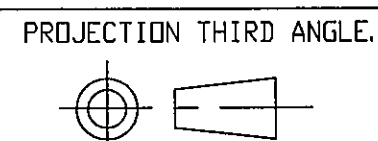
DRILLED AND PUNCHED HOLES  $\pm$ 0.05 UP TO & INC. 5mm DIA  $\pm$ 1% OVER 5mm DIA

DATE 23.4.97 DRAWN D.B.

DATE CHECKED

SCALE 1:1 3RD ANGLE PROJ.

SURFACE TEXTURE  $\sqrt{\text{R}}$  1.6 ALL OVER UNLESS OTHERWISE STATED.



PROJECTION THIRD ANGLE.

MATERIAL No. ALUM. BRONZE CA104 or DG1043

FINISH REMOVE ALL BURRS, SHARP EDGES & BREAK CORNERS

CLEAN

TITLE TECAL 650 INSERT BLOCKS

TECHNE (CAMBRIDGE) LTD.