

**TECHNI-PRO**

# True RMS Multimeter User Manual



Please read this manual before switching the unit on.  
Important safety information inside.



<b>Content</b>	<b>Page</b>
1.Introduction.....	4
2.Safety.....	4
2-1.Safety Symbols.....	4
2-2.PER IEC1010 OVERVOLTAGE INSTALLATION CATEGORY.....	5
2-3.Safety Instructions.....	5
2-4.Input Protection Limits.....	6
3.Description.....	7
3-1.Meter Description.....	7
3-2.Symbols Used on LCD Display.....	8
4.Operating Instructions.....	9
4-1.DC Voltage Measurement.....	9
4-2.AC Voltage (Frequency, Duty Cycle) Measurement.....	10
4-3.DC Current Measurement.....	11
4-4.AC Current (Frequency, Duty Cycle) Measurement.....	12
4-5.Resistance Measurement.....	13
4-6.Continuity Check.....	14
4-7.Diode Test.....	15
4-8.Capacitance Measurement.....	16
5.Function.....	17
6.Maintenance.....	19
7.Battery Installation.....	19
8.Replacing the Fuses.....	20
9.Specifications.....	21
9-1.Technical Specifications.....	21
9-2.General Specifications.....	23

## 1. Introduction

- This meter measures AC/DC Voltage, AC/DC Current, Resistance, Capacitance, Frequency (Electrical), Diode Test and Continuity.
- It features a water resistant, Rugged design for heavy duty use.
- Proper use and care of this meter will provide many years of reliable service.

## 2. Safety

### 2-1. Safety Symbols



This symbol adjacent to another symbol, terminal or operating device indicates that the operator must refer to an explanation in the Operating Instructions to avoid personal injury or damage to the meter.

**WARNING** This **WARNING** symbol indicates a potentially hazardous situation, which if not avoided, could result in death or serious injury.

**CAUTION** This **CAUTION** symbol indicates a potentially hazardous situation, which if not avoided, may result damage to the product.



**MAX**

Symbol advises the user that the terminal(s) so marked must not be connected to a circuit point at which the voltage with respect to earth ground exceeds 600VAC or VDC.



This symbol adjacent to one or more terminals identifies them as being associated with ranges that may, in normal use, be subjected to particularly hazardous voltages. For maximum safety, the meter and its test leads should not be handled when these terminals are energized.



This symbol indicates that a device is protected throughout by double insulation or reinforced insulation.

## 2-2. PER IEC1010 OVERVOLTAGE INSTALLATION CATEGORY

### OVERVOLTAGE CATEGORY I

Equipment of OVERVOLTAGE CATEGORY I is equipment for connection to circuits in which measures are taken to limit the transient overvoltages to an appropriate low level.

**Note:** Examples include protected electronic circuits.

### OVERVOLTAGE CATEGORY II

Equipment of OVERVOLTAGE CATEGORY II is energy-consuming equipment to be supplied from the fixed installation.

**Note:** Examples include household, office, and laboratory appliances.

### OVERVOLTAGE CATEGORY III

Equipment of OVERVOLTAGE CATEGORY III is equipment in fixed installations.

**Note:** Examples include switches in the fixed installation and some equipment for industrial use with permanent connection to the fixed installation.

### OVERVOLTAGE CATEGORY IV

Equipment of OVERVOLTAGE CATEGORY IV is for use at the origin of the installation.

**Note:** Examples include electricity meters and primary over-current protection equipment.

## 2-3. Safety Instructions

This meter has been designed for safe use, but must be operated with caution, the rules listed below must be carefully followed for safe operation.

- Never apply voltage or current to the meter that exceeds the specified maximum.
- Use extreme **CAUTION** when working with high voltages.
- Do not measure voltage if the voltage on the **COM** Input Jack exceeds 600V above earth ground.
- Never connect the meter leads across a voltage source while the function switch is in the current, resistance or diode mode, doing so can damage the meter.
- Always discharge filter capacitors in power supplies and disconnect the power when making resistance or diode tests.
- Always turn off the power and disconnect the test leads before opening the covers to replace the fuse or batteries.

- Never operate the meter unless the back cover and the battery and fuse covers are in place and fastened securely.
- If the equipment is used in a manner not specified by the manufacturer, the protection provided by the equipment may be impaired.

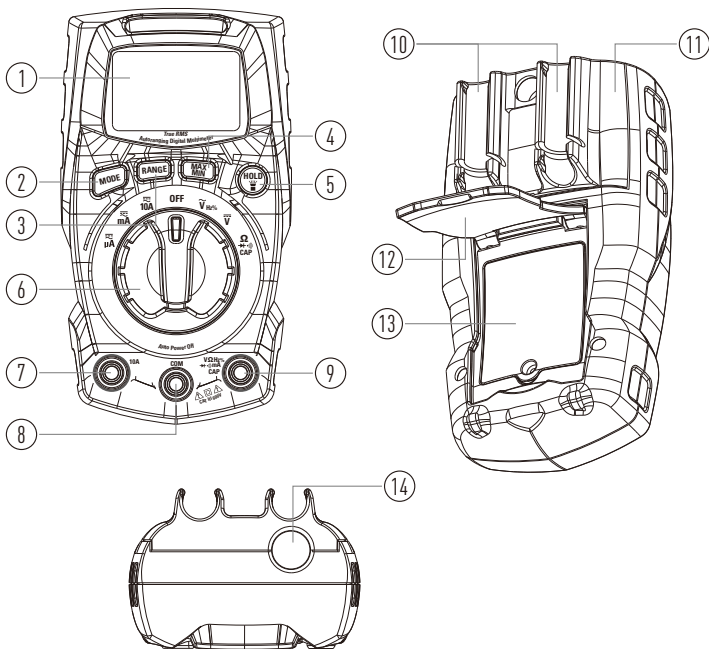
#### 2-4. Input Protection Limits

Function	Maximum Input
VDC or VAC	600V DC/AC rms
mA AC/DC	500mA/600V fast acting fuse
A AC/DC	10A/600V fast acting fuse
Frequency, Resistance, Capacitance, Diode Test, Continuity	300V DC/AC rms
Surge Protection: 6kV peak per IEC 61010	

### 3.Description

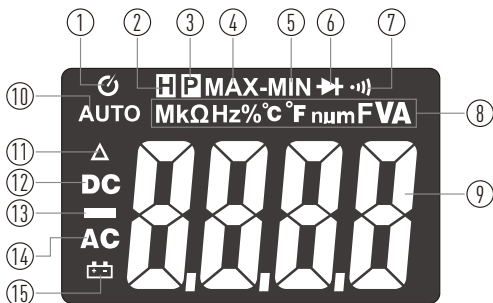
#### 3-1.Meter Description

- |                                     |                       |
|-------------------------------------|-----------------------|
| 1-4,000 Counts LCD Negative Display | 8-COM Input Jack      |
| 2-MODE Button                       | 9-Positive Input Jack |
| 3-RANGE Button                      | 10-Test Lead Holders  |
| 4-MAX/MIN Button                    | 11-Battery Cover      |
| 5-HOLD and Flashlight Button        | 12-Tilt Stand         |
| 6-Function Switch                   | 13-Fuse Compartment   |
| 7-10A Input Jack                    | 14-Flashlight         |



### 3-2. Symbols Used on LCD Display

- |                         |                        |
|-------------------------|------------------------|
| 1-Auto Power Off        | 9-Measurement Reading  |
| 2-Data Hold             | 10-Auto Ranging        |
| 3-Peak Hold             | 11-Relative Value      |
| 4-Maximum               | 12-Direct Current      |
| 5-Minimum               | 13-Minus Sign          |
| 6-Diode Test            | 14-Alternating Current |
| 7-Continuity            | 15-Battery Status      |
| 8-Units of Measure List |                        |





## 4. Operating Instructions

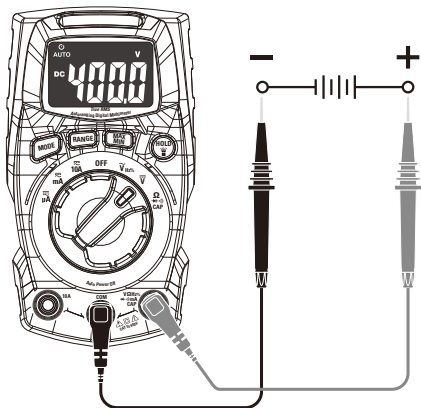
**WARNING:** Risk of electrocution. High-voltage circuits, both AC and DC, are very dangerous and should be measured with great care.

1. Always turn the function switch to the **OFF** position when the meter is not in use.
2. If “**OL**” appears in the display during a measurement, the value exceeds the range you have selected. Change to a higher range.

### 4-1. DC Voltage Measurement

**CAUTION:** Do not measure DC voltages if a motor on the circuit is being switched ON or OFF. Large voltage surges may occur that can damage the meter.

1. Set the function switch to the **VDC** Position.
2. Insert the black test lead banana plug into the **COM** Input Jack; Insert the red test lead banana plug into the **Positive** Input Jack.
3. Touch the black test probe tip to the negative side of the circuit; Touch the red test probe tip to the positive side of the circuit.
4. Read the voltage in the display.

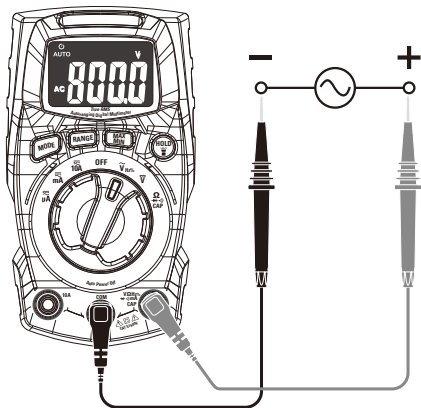


## 4-2.AC Voltage (Frequency, Duty Cycle) Measurement

**WARNING:** Risk of Electrocution. The probe tips may not be long enough to contact the live parts inside some 240V outlets for appliances because the contacts are recessed deep in the outlets. As a result, the reading may show 0 volts when the outlet actually has voltage on it. Make sure the probe tips are touching the metal contacts inside the outlet before assuming that no voltage is present.

**CAUTION:** Do not measure AC voltages if a motor on the circuit is being switched ON or OFF. Large voltage surges may occur that can damage the meter.

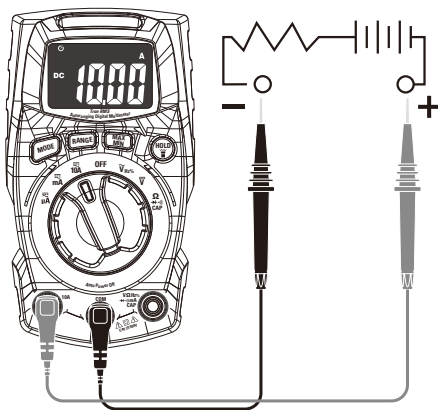
1. Set the function switch to the **VAC/Hz/%** Position.
2. Insert the black test lead banana plug into the **COM** Input Jack; Insert red test lead banana plug into the **Positive** Input Jack.
3. Touch the black test probe tip to the neutral side of the circuit; Touch the red test probe tip to the "hot" side of the circuit.
4. Read the voltage in the display.
5. Press the **MODE** Button to indicate "Hz".
6. Read the frequency in the display.
7. Press the **MODE** Button again to indicate "%".
8. Read the % of duty cycle in the display.



### 4-3.DC Current Measurement

**CAUTION:** The maximum measuring current is 10A.

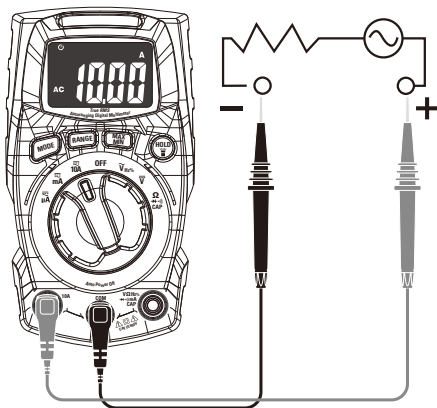
1. Insert the black test lead banana plug into the **COM** Input Jack.
2. For current measurements up to **4000 $\mu$ A** DC, set the function switch to the  **$\mu$ A** Position and insert the red test lead banana plug into the **Positive** Input Jack.
3. For current measurements up to **100mA** DC, set the function switch to the **mA** Position and insert the red test lead banana plug into the **Positive** Input Jack.
4. For current measurements up to **10A** DC, set the function switch to the **10A** Position and insert the red test lead banana plug into the **10A** Input Jack.
5. Press the **MODE** Button to indicate “**DC**” on the display.
6. Remove power from the circuit under test, then open up the circuit at the point where you wish to measure current.
7. Touch the black test probe tip to the negative side of the circuit; Touch the red test probe tip to the positive side of the circuit.
8. Apply power to the circuit.
9. Read the current in the display.



#### 4-4.AC Current (Frequency, Duty Cycle) Measurement

**CAUTION:** The maximum measuring current is 10A.

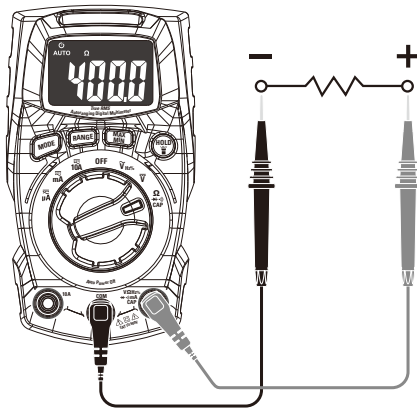
1. Insert the black test lead banana plug into the **COM** Input Jack.
2. For current measurements up to **4000 $\mu$ A AC**, set the function switch to the  **$\mu$ A** Position and insert the red test lead banana plug into the **Positive** Input Jack.
3. For current measurements up to **400mA AC**, set the function switch to the **mA** Position and insert the red test lead banana plug into the **Positive** Input Jack.
4. For current measurements up to **10A AC**, set the function switch to the **10A** Position and insert the red test lead banana plug into the **10A** Input Jack.
5. Press the **MODE** Button to indicate "**AC**" on the display.
6. Remove power from the circuit under test, then open up the circuit at the point where you wish to measure current.
7. Touch the black test probe tip to the neutral side of the circuit; Touch the red test probe tip to the "hot" side of the circuit.
8. Apply power to the circuit.
9. Read the current in the display.



#### 4-5. Resistance Measurement



**WARNING:** To avoid electric shock, disconnect power to the unit under test and discharge all capacitors before taking any resistance measurements. Remove the batteries and unplug the line cords.

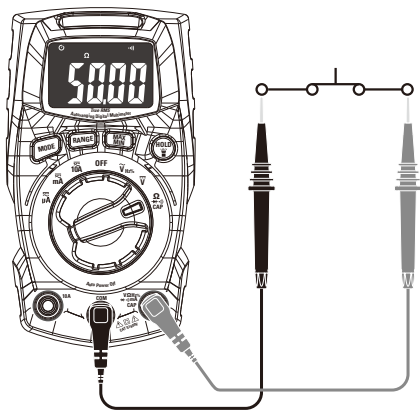
1. Set the function switch to the  $\Omega$   $\rightarrow$  CAP Position.
2. Insert the black test lead banana plug into the **COM** Input Jack; Insert the red test lead banana plug into the **Positive** Input Jack.
3. Press the **MODE** Button to indicate " $\Omega$ " on the display.
4. Touch the test probe tips across the circuit or part under test. It is best to disconnect one side of the part under test so the rest of the circuit will not interfere with the resistance reading.
5. Read the resistance in the display.



#### 4-6. Continuity Check

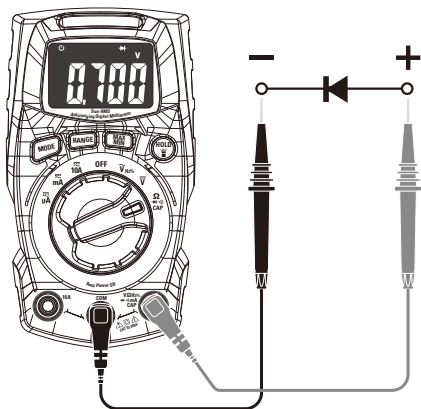
**WARNING:** To avoid electric shock, never measure continuity on circuits or wires that have voltage on them.

1. Set the function switch to the  $\Omega$    $\rightarrow$  CAP Position.
2. Insert the black test lead banana plug into the **COM** Input Jack; Insert the red test lead banana plug into the **Positive** Input Jack.
3. Press the **MODE** Button to indicate "" and " $\Omega$ " on the display
4. Touch the test probe tips to the circuit or wire you wish to check.
5. If the resistance is less than approximately  $50 \Omega$ , the audible signal will sound. If the circuit is open, the display will indicate "**OL**".



#### 4-7. Diode Test

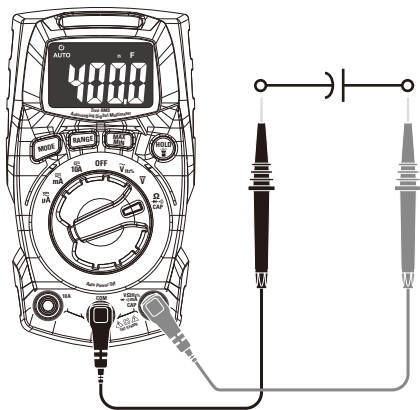
1. Set the function switch to the  $\Omega$   $\rightarrow$   $\rightarrow$  CAP Position.
2. Insert the black test lead banana plug into the **COM** Input Jack; Insert the red test lead banana plug into the **Positive** Input Jack.
3. Press the **MODE** Button to indicate " $\rightarrow$ " and "**V**" on the display
4. Touch the test probes to the diode under test. Forward voltage will typically indicate **0.400** to **0.700V**. Reverse voltage will indicate "**OL**". Shorted devices will indicate near 0V and an open device will indicate "**OL**" in both polarities.



#### 4-8. Capacitance Measurement

**WARNING:** To avoid electric shock, disconnect power to the unit under test and discharge all capacitors before taking any capacitance measurements. Remove the batteries and unplug the line cords

1. Set the function switch to the  $\Omega$   $\rightarrow$  CAP Position.
2. Insert the black test lead banana plug into the **COM** Input Jack; Insert the red test lead banana plug into the **Positive** Input Jack.
3. Press the **MODE** Button to indicate “nF” on the display
4. Touch the test leads to the capacitor to be tested, the test may take up to 3 minutes or more for large capacitors to charge, wait until the readings settle before ending the test.
5. Read the capacitance value in the display





## 5. Function

### 5-1. Autoranging/Manual Range Selection

- When the meter is first turned on, it automatically goes into Auto ranging.
- This automatically selects the best range for the measurements being made and is generally the best mode for most measurements.
- For measurement situations requiring that a range be manually selected, perform the following:
  1. Press the **RANGE** Button, The “**AUTO**” display indicator will turn off.
  2. Press the **RANGE** Button to step through the available ranges until you select the range you want.
  3. To exit the Manual Ranging mode and return to Auto ranging, press and hold the **RANGE** Button for 2 seconds.

**Note:** Manual ranging does not apply for the Capacitance and Frequency functions.

### 5-2. MAX/MIN


**Note:** When using the MAX/MIN function in Auto ranging mode, the meter will “lock” into the range that is displayed on the LCD when MAX/MIN is activated.

- If a MAX/MIN reading exceeds that range, an “OL” will be displayed.
  - Select the desired range before entering MAX/MIN mode.
1. Press the **MAX/MIN** Button to activate the MAX/MIN recording mode; The display icon “**MAX**” will appear, The meter will display and hold the maximum reading and will update only when a new “max” occurs.
  2. Press the **MAX/MIN** Button again and the display icon “**MIN**” will appear, The meter will display and hold the minimum reading and will update only when a new “min” occurs.
  3. To exit MAX/MIN mode, Press and hold the **MAX/MIN** Button for 2 seconds.

### 5-3. Display Backlight

Negative Display and Backlight on when unit is turned on.

### 5-4. MODE

- By pressing the MODE key, the selection of double measured functions is possible.
- This key is active in the  $\Omega$    $\rightarrow$  CAP Position to select among resistance, diode, continuity and capacitance testing, as well as in the current position to select between AC or DC current measurements.


### 5-5.HOLD / Flash Light

- The hold function freezes the reading in the display, Press the **HOLD/Flash Light** Button momentarily to activate or to exit the HOLD function.
- Press the **HOLD/Flash Light** Button for >2 second to turn the flashlight function on or off.
- The flashlight will automatically power off after 5 minutes of inactivity.

### 5-6.Auto Power Off

- The auto off feature will turn the meter off after 15 minutes.
- To disable the auto power off feature, hold down the **MODE** Button and turn the meter on.

### 5-7.Low Battery Indication

- The “” icon will appear in the lower left corner of the display when the battery voltage becomes low.
- Replace the battery when this appears.

## 6. Maintenance

**WARNING:** To avoid electric shock, disconnect the test leads from any source of voltage before removing the back cover or the battery or fuse covers.

**WARNING:** To avoid electric shock, do not operate your meter until the battery and fuse covers are in place and fastened securely.

This multimeter is designed to provide years of dependable service, if the following care instructions are performed:

- Keep the meter dry, if it gets wet, wipe it off.
- Use and store the meter in normal temperatures, temperature extremes can shorten the life of the electronic parts and distort or melt plastic parts.
- Handle the meter gently and carefully, dropping it can damage the electronic parts or the case.
- Keep the meter clean, wipe the case occasionally with a damp cloth, do not use chemicals, cleaning solvents or detergents.
- Use only fresh batteries of the recommended size and type, remove old or weak batteries so they do not leak and damage the unit.
- If the meter is to be stored for a long period of time, the batteries should be removed to prevent damage to the unit.

## 7. Battery Installation

**WARNING:** To avoid electric shock, disconnect the test leads from any source of voltage before removing the battery cover.

1. Turn power off and disconnect the test leads from the meter.
2. Open the rear battery cover by removing the screw using a Phillips head screwdriver.
3. Insert the battery into battery holder, observing the correct polarity.
4. Put the battery cover back in place. Secure with the screw.

**WARNING:** To avoid electric shock, do not operate the meter until the battery cover is in place and fastened securely.

**NOTE:** If your meter does not work properly, check the fuses and batteries to make sure that they are still good and that they are properly inserted.

## 8.Replacing the Fuses

**WARNING:** To avoid electric shock, disconnect the test leads from any source of voltage before removing the fuse cover.

- 1.Disconnect the test leads from the meter.
- 2.Remove the battery cover.
- 3.Gently remove the old fuse and install the new fuse into the holder.
- 4.Always use a fuse of the proper size and value (0.5A/600V fast blow for the 600mA range, 10A/600V fast blow for the 20A range).
- 5.Replace and secure the rear cover, battery and battery cover.

**WARNING:** To avoid electric shock, do not operate your meter until the fuse cover is in place and fastened securely.

## 9. Specifications

### 9-1. Technical Specifications

Function	Range	Resolution	Accuracy $\pm$ (% of reading+digits)
DC Voltage	400mV	0.1mV	$\pm$ (1.0% + 5 digits)
	4V	0.001V	$\pm$ (1.0% + 3 digits)
	40V	0.01V	
	400V	0.1V	
	600V	1V	

AC Voltage (50 to 60Hz)	4V	0.001V	$\pm$ (1.2% + 3 digits)
	40V	0.01V	
	400V	0.1V	
	600V	1V	

All AC voltage ranges are specified from 5% of range to 100% of range.

DC Current	400 $\mu$ A	0.1 $\mu$ A	$\pm$ (1.0% + 3 digits)
	4000 $\mu$ A	1 $\mu$ A	
	40mA	0.01mA	
	400mA	0.1mA	$\pm$ (1.2% + 3 digits)
	4A	0.001A	
	10A	0.01A	

20A: 30 sec max with reduced accuracy.

AC Current (50 to 60Hz)	400 $\mu$ A	0.1 $\mu$ A	$\pm$ (1.2% + 3 digits)
	4000 $\mu$ A	1 $\mu$ A	
	40mA	0.01mA	
	400mA	0.1mA	$\pm$ (1.8% + 5 digits)
	4A	0.001A	
	10A	0.01A	

20A: 30 sec max with reduced accuracy.

All AC voltage ranges are specified from 5% of range to 100% of range.

Function	Range	Resolution	Accuracy $\pm$ (% of reading+digits)
Resistance	400 $\Omega$	0.1k $\Omega$	$\pm$ (1.5% + 5 digits)
	4k $\Omega$	0.001k $\Omega$	
	40k $\Omega$	0.01k $\Omega$	
	400k $\Omega$	0.1k $\Omega$	
	4M $\Omega$	0.001M $\Omega$	
	40M $\Omega$	0.01M $\Omega$	$\pm$ (2.5% + 20 digits)

Capacitance	40nF	0.01nF	$\pm$ (4.5% + 10 digits)
	400nF	0.1nF	$\pm$ (3.0% + 5 digits)
	4 $\mu$ F	0.001 $\mu$ F	
	40 $\mu$ F	0.01 $\mu$ F	
	400 $\mu$ F	0.1 $\mu$ F	$\pm$ (5% + 5 digits)
	4000 $\mu$ F	1 $\mu$ F	

Frequency (Electrical)	10.00-10kHz	0.01Hz	$\pm$ (1.2% reading)
------------------------	-------------	--------	----------------------

Sensitivity: 15V rms

Duty Cycle	0.1 to 99.9%	0.1%	$\pm$ (1.2% + 2 digits)
------------	--------------	------	-------------------------


Pulse width: 100 $\mu$ s-100ms; Frequency: 5Hz to 150kHz.

**Note:** Accuracy is stated at 18 to 28°C (65 to 83°F) and less than 75%RH.

**Note:** Accuracy specifications consist of two elements:

- (% reading)-This is the accuracy of the measurement circuit.
- (+ digits)-This is the accuracy of the analog to digital converter.

## 9-2.General Specifications

Enclosure	Double molded
Shock (Drop Test)	6.5 feet (2 meters)
Diode Test	Test current of 1.5 mA maximum, open circuit voltage 3V DC typical
Continuity Check	Audible signal will sound if the resistance is less than 50 $\Omega$ (approx.), test current <0.35mA
Input Impedance	>10M $\Omega$ VDC & >10M $\Omega$ VAC
AC Response	TRMS
ACV Bandwidth	50/60HZ (All wave); 45 to 1000Hz (Sine wave)
Crest Factor	$\leq 3$ at full scale up to 300V, decreasing linearly to $\leq 1.5$ at 600V
Display	4,000 count Negative Display
Overrange Indication	"OL" is displayed
Auto Power Off	15 minutes (approximately) with disable feature
Polarity	Automatic (no indication for positive); Minus (-) sign for negative
Measurement Rate	3 times per second, nominal
Low Battery Indication	"  " is displayed if battery voltage drops below operating voltage
Battery	2 x 1.5V AAA battery
Fuses	mA/ $\mu$ A ranges: 0.5A 600V ceramic fast blow; A range: 10A/600V ceramic fast blow
Operating Temperature	5 to 40°C (41 to 104°F)
Storage Temperature	-20 to 60°C (-4 to 140°F)
Operating Humidity	Max 80% up to 31°C (87°F) decreasing linearly to 50% at 40°C (104°F)
Storage Humidity	<80%
Operating Altitude	2000meters (7000ft.) maximum.
Weight	342g (0.753lb)
Size	120 x 67 x 46mm
Safety	EN 61010-1:2010+A1:2019, EN 61010-2-033: 2012 for measurement Category III 600V, Pollution Degree 2. BS EN 61010-1:2010+A1:2019 and BS EN 61010-2-033:2012.

