

TECHNI-PRO

Product Number: 10069999 - Ionizing Blow Off Gun Owners Manual

Description

The Techni-Pro Ionizing Blow Off Gun neutralizes electrostatic charges in personal bench top environments, sensitive materials assembly, SMT, Electronics Assembly, Automotive, packaging, plastics, cleanroom and laboratory environments. The ionizer provides superior static control and targeted particulate clean up in a variety of industrial applications.

- High frequency AC ionizing technology for fast static elimination and excellent balance.
- Lightweight Ergonomic handle with easy-to-use electronic trigger switch
- Improved safety with a single integrated air/power cable with heavy vinyl covered metal shielding.
- Made with durable fiberglass reinforced plastic.
- A quick-connect air fitting for connection to either compressed air or inert gases, including nitrogen.
- Included long-lasting 0.01um air filter.



Safety

- Do not disassemble the item without permission.
- Do not use in flammable or explosive environments
- Do not use in areas with high moisture, oil, water, or high humidity.
- The ionizer requires clean, dry compressed air source to function properly.
- Do not touch the emitter point when power is on.
- Use the supplied power adapter only.
- The ionizers produce ozone (below 0.05ppm)

Installation

- Choose an area with access with AC110V/220V or DC24 power supply and compressed air.
- Connect the DC24V output into controller power input and connect 100-240V power to grounded socket.
- Note: An external ground cord is included. Only use if you using a non-grounded power cable. Most users will not need an additional ground cable.
- Mount the controller in a convenient area with built in brackets using M3 flat head screws.
- Install the large end of the filter onto the coupling on pistol hose. Connect the air hose & filter into the controller until you hear a click. Use the button on the controller to disconnect.
- Connect the metal hook to the slots on the pistol
- Connect the compressed air source using the included couplings. Operating pressure is 0.1 – 0.7mpa and
- Turn ionizer on with power switch on the controller
- The Green LED will activate when the ionizer trigger is pulled. If the LED does not activate, there is a malfunction and needs to be reviewed.

TECHNI-PRO

Production supplies that **WORK** as hard as you do

Techni-PRO is a TestEquity private label brand featured on:

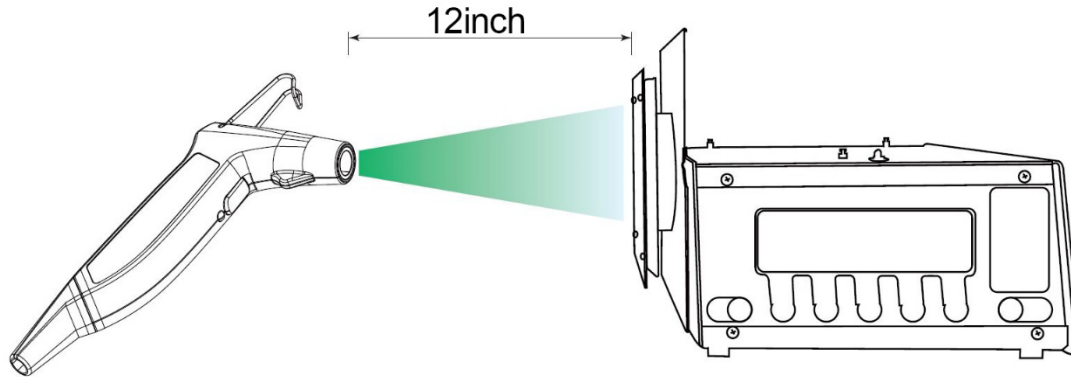
www.testequity.com/brand/techni-pro
www.techni-tool.com/brand/techni-pro
www.jensentools.com/brand/techni-pro

TECHNI-PRO

Testing

The ionizer performance should be tested periodically. At minimum, once per year. Use a charge plate monitor to test the decay and balance of the ionizer.

- Follow charge plate operating manual for testing instructions.
- Ionizer should be 12inches from charge plate.
- Review the specification table for Decays and Balance specs.



Maintenance

Emitter

The emitter point will need periodic cleaning in order to maintain performance. Once per month is recommended but frequency is dependent on use.

- Unhook power and air source before maintenance.
- Clean the emitter tip with Isopropyl Alcohol and a cotton swab or clean cloth.
- Note: Emitter is sharp, please watch fingers.
- Wait until alcohol has evaporated completely before powering on.

Ionizer Body

- Remove dust and dirt from the ionizer body with a clean cloth. Avoid high exposure to water or alcohol or other harsh cleaning agents. For aggressive stains, use a spot treatment with water and clean cloth.

Filter Replacement

The replacement cycle of filter depends on the environment and usage. Airflow that includes high moisture or contamination or higher usage of the ionizer will require more frequent replacements.

- Use the quick-release button on the control to separate the pistol and expose the filter.
- Use the filter release button on the hose to remove the filter.
- Replace the filter and connect to the control until you hear a click

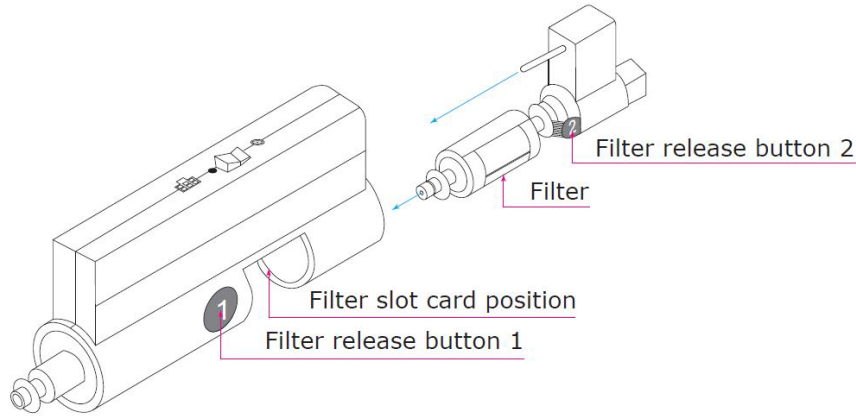
TECHNI-PRO

Production supplies that **WORK** as hard as you do

Techni-PRO is a TestEquity private label brand featured on:

www.testequity.com/brand/techni-pro
www.techni-tool.com/brand/techni-pro
www.jensentools.com/brand/techni-pro

TECHNI-PRO



Part Included List

Air Gun(with air hose)	1ea
Controller	1ea
Filter	1ea
AC power cord	1ea
DC24V power adapter	1ea
User manual	1ea
Grounding cord	1ea
Controller installation bracket	1ea
Calibration Report	1ea
Air Coupling	1ea

Specifications

Power Input	100-240input /24v DC
Power Outlet	un-fused, 0.5A or 1.0A max.
Ion Emission	AC, 68KHz
Balance	±30 volts
Decay Time	1000V—100V, < 2 seconds @12"
Temperature	66-78°F (19-25°C)
Humidity	20-60% RH (non-condensing)
Air Pressure	20—75 PSI, CDA or N ₂
Air Inlet	1/4" male - Industrial Quick-Connect Fitting
Filter Option	.3micron filter (replaceable)*
Indicators	Power: Green LED, Alarm: Red
Ozone	<0.005 ppm (Typical)
Noise	70 dBA @1meter
Controls	On/off switch, Trigger
Mounting	Mounting holes on controller
Emitter Points	Tungsten Alloy
Dimensions - Pistol	8.26"H x 4.33"W x .98"D,
Dimensions - Controller	8.66"H x 2.99"W x 1.69"D,
Weight - Pistol	1.5 oz. with air hose
Weight - Controller	15oz

TECHNI-PRO

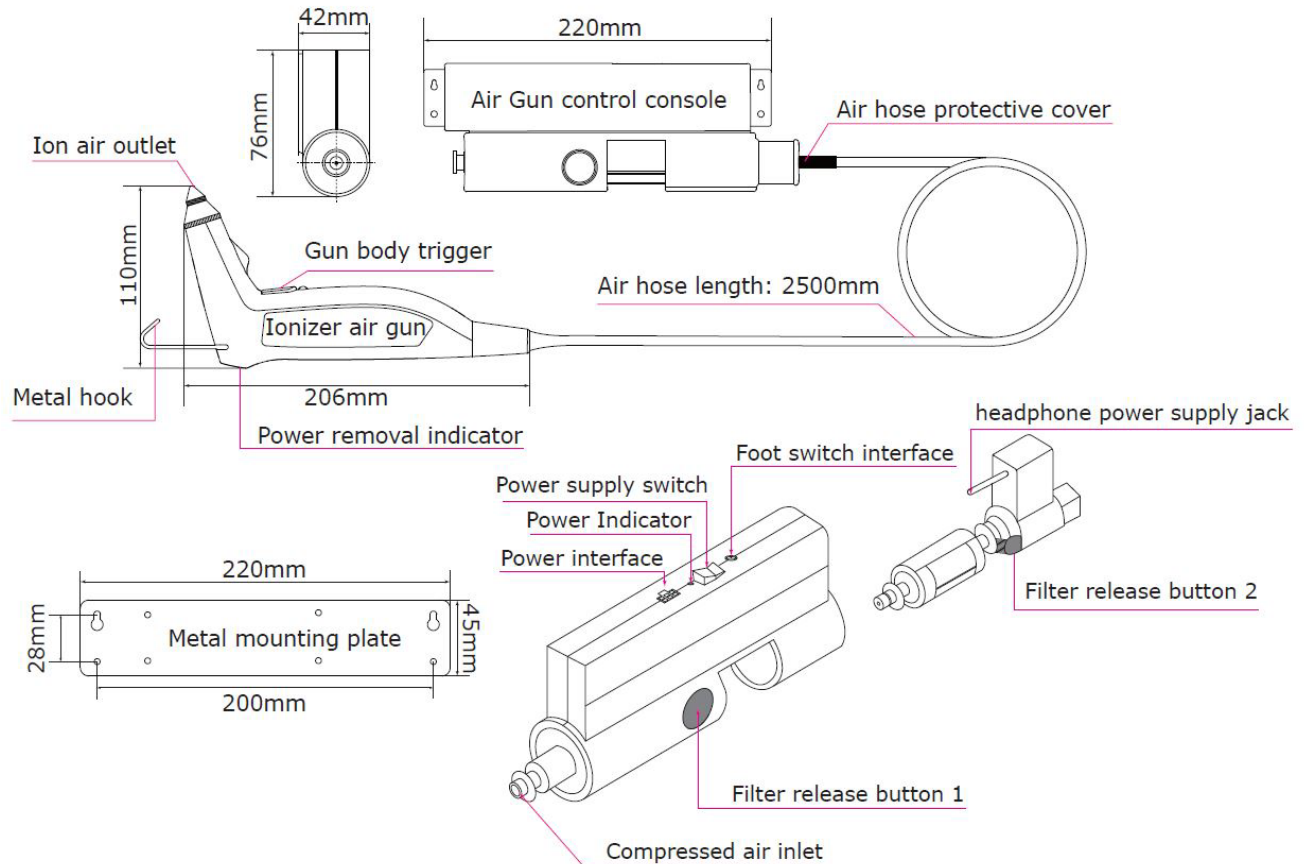
Production supplies that **WORK** as hard as you do

Techni-PRO is a TestEquity private label brand featured on:

www.testequity.com/brand/techni-pro
www.techni-tool.com/brand/techni-pro
www.jensentools.com/brand/techni-pro

TECHNI-PRO

Drawings



This specification defines the technical requirements for ionizers under the brand Techni-Pro. If not otherwise specified, the ionizer should meet or exceed the requirements of ANSI ESD-S20.20.

This document is prepared for our customers as a service, and is to the best of our knowledge true and accurate. However, it is understood and agreed by the users of this document that we will accept no liability for the conclusions reached. Users of this document may therefore wish to perform additional testing before determining that products mentioned are suitable.

TECHNI-PRO

Production supplies that **WORK** as hard as you do

Techni-PRO is a TestEquity private label brand featured on:

www.testequity.com/brand/techni-pro
www.techni-tool.com/brand/techni-pro
www.jensentools.com/brand/techni-pro