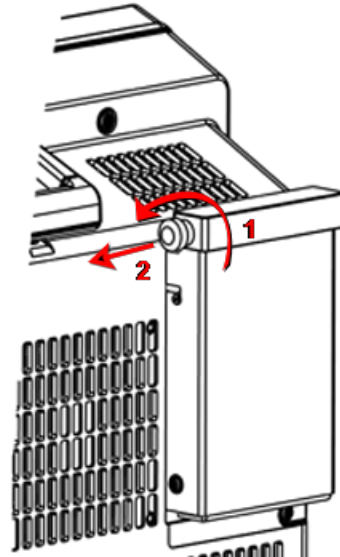
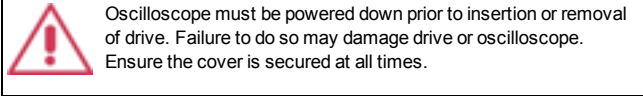


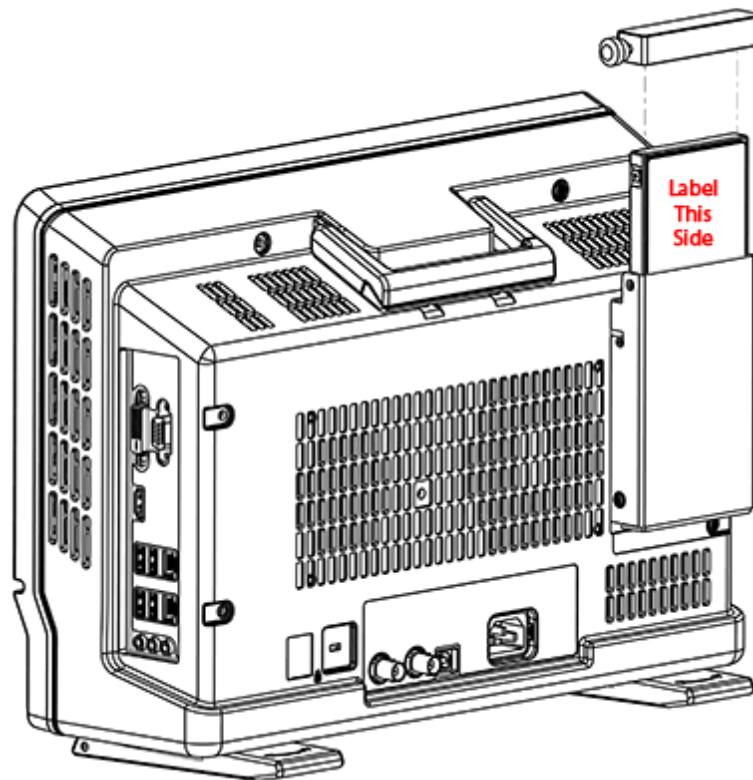
## HDO Removable Hard Drive

HDO oscilloscopes with the HDO4K-RHD and HDO6K-RHD options feature a removable hard drive mounted on the rear panel of the instrument. To insert or remove the drive:

1. Rotate the knob on the top cover of the drive mount counterclockwise to loosen it, then pull it out.



2. Remove the top cover from the mount.
3. Insert the hard drive so that the label is in the position shown below.



4. Replace the cover, then push in the knob and turn it clockwise to tighten it.

© 2013 Teledyne LeCroy, Inc. All rights reserved.

Teledyne LeCroy is a trademark of Teledyne LeCroy, Inc. Other product or brand names are trademarks or requested trademarks of their respective holders. Information in this publication supersedes all earlier versions. Specifications are subject to change without notice.

August 2013