

INNOVA BOSS MIX

TFORCE TECHNOLOGY ANTENNA



Indoor Intelligent Antenna with Plug & Play installation

- Intelligent BOSS system enhanced with TForce technology
- Plug & Play: just connect the antenna and tune the channels
- Power supply with a USB PSU or with the TV



BOSS TECH



ULTRA HD 4K



USB POWER
SUPPLY



PLUG & PLAY

Televes®



www.televes.com | www.televescorporation



Televes Corporation

DESCRIPTION

INNOVA BOSS MIX is an antenna specially designed for reception of DTT signals indoors.

It is an omnidirectional and intelligent antenna, so the installation time is significantly minimised: Plug & Play.

In addition, the intelligent mode can be activated using a conventional smartphone PSU or with the USB port of the TV, making an easier installation process.

DISCOVER TFORCE TECHNOLOGY:

Televés has revolutionized the concept of the antenna with the introduction of BOSS. The evolution of an intelligent device like BOSS provides antennas with the capacity to receive very weak signals without the risk of being affected by much stronger signals, thus preventing fluctuations. The **Dynamic Range** concept turns out to be the most outstanding among quality parameters.

The creation of a BOSS device using the TForce technology, which is based on MMIC components, is an extraordinary milestone in dynamic range optimization. The technology that once allowed the reception of lost signals from distant satellites is now allowing the enhancement of the coverage range in DTT installations.

Watch TForce video:
en.televés.com/tforce



MAIN FEATURES

The BOSSTech system **automatically controls the level of signals received**, adjusting both higher and lower range signals concurrently to consistently provide optimal output levels.



The new design using TForce technology makes this intelligent device even more versatile:

- **HIGH DYNAMIC RANGE:**
It allows high-quality TV reception in a wide variety of critical situations, from areas where signals are very weak to installations with very strong signal levels.
- **DTT COVERAGE AREA ENHANCEMENT**
- **A MORE STABLE RECEPTION:**
Supports signal variations or fading without any impact on the TV installation.

REF.	DESCRIPTION	EAN 13
	INNOVA BOSS MIX	
130381	INNOVA BOSS MIX LoV/HiV/U G15/26/27dBi	8424450198315

INDOOR INTELLIGENT ANTENNA WITH PLUG & PLAY INSTALLATION



HIGHLIGHTS

■ Plug & play:

Easy and fast installation.

■ Multiple power supply options:

- Through the 5V USB port of the TV (USB-microUSB cable included).
- With a conventional USB power supply unit.
- Simply using a receiver (through the RF output connector).

■ Improved High VHF response:

The telescopic antennas improve High VHF reception.

■ Low power consumption in intelligent mode

OTHER FEATURES

■ Discreet and elegant design.

■ Two operation modes:

In **intelligent** mode (with antenna feeding), BOSS provides automatic control to correct signal fluctuations and maintain optimal output signal level.

In **passive** mode, (without power supply) the signal passes through unamplified.

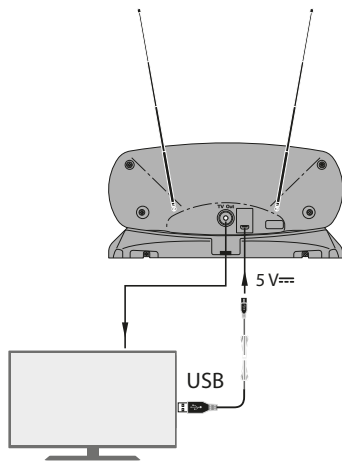
■ The electronics inside the antenna substantially reduces the interference caused by surrounding movements.

■ Thanks to be an omnidirectional antenna, it can be installed either in horizontal or in vertical position.

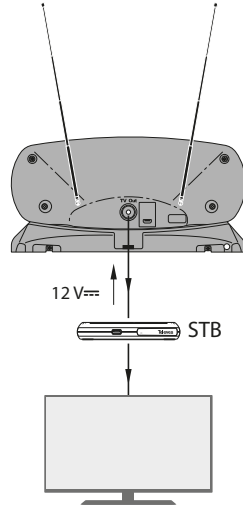
INNNOVA BOSS MIX ANTENNA WITH TFORCE TECHNOLOGY

ANTENNA POWER SUPPLY OPTIONS

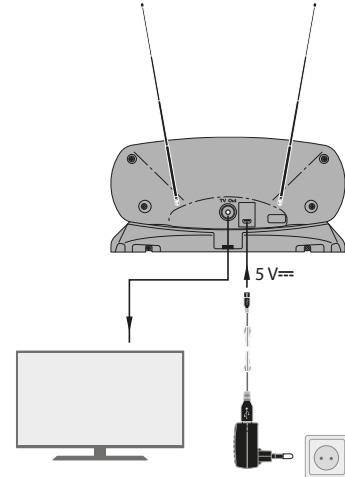
INTELLIGENT MODE



With the TV (USB port)

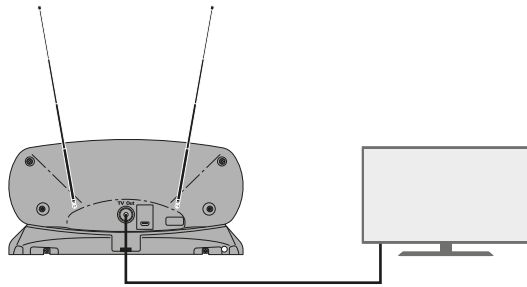


With the receiver (RF connector)



With USB power supply unit

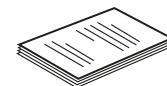
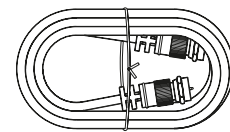
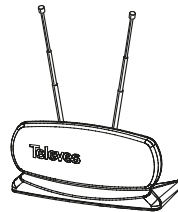
PASSIVE MODE



Without power supply

PACKAGE CONTENTS

- Antenna
- USB-microUSB power supply cable
- "F" Cable lead 1.5m
- User manual



INDOOR INTELLIGENT ANTENNA WITH PLUG & PLAY INSTALLATION

INNOVA BOSS MIX

TECHNICAL SPECIFICATIONS

References		130381		
Frequency bands	MHz	54 - 88	174 - 230	470 - 694
Channels		2-6	7-13	14-51
Gain	dBi	15*	26*	27*
Noise figure	dB	3	3	3
Power supply/ Consumption	USB	5 / 60		
	Coax.	12 / 60		
Protection index	IP	20		
Weight	lb	0.77		
Dimensions	in	8.46" x 4.02" x 4.13" (telescopic antennas retracted)		
		8.46" x 15.94" x 4.13" (telescopic antennas extended)		

* Automatic regulation of the gain in the intelligent mode (with power supply).
Does not apply in passive mode.

