

DATBOSS

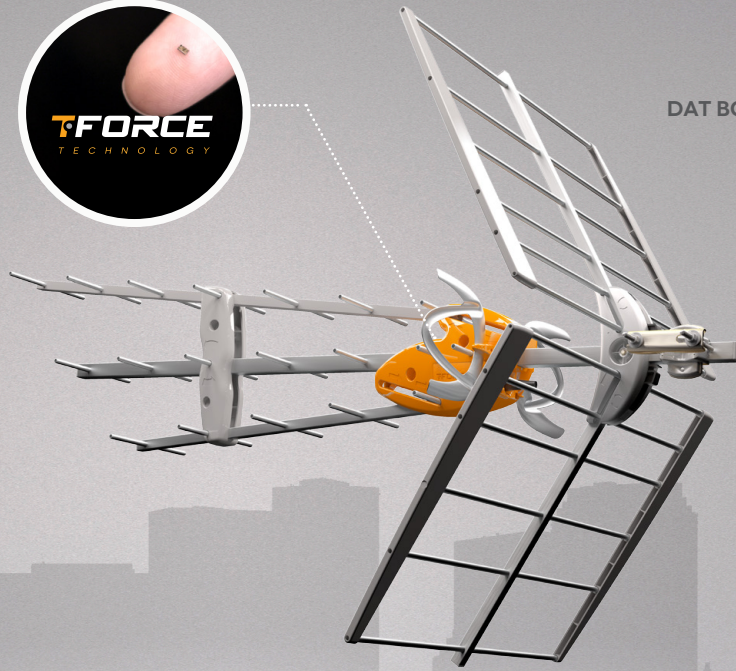
COMPLETE ANTENNA RANGE WITH **TFORCE TECHNOLOGY**

Televés goes beyond the silicon era into the new era in electronic component design, which allows building integrated circuits that work in the microwave frequency band.

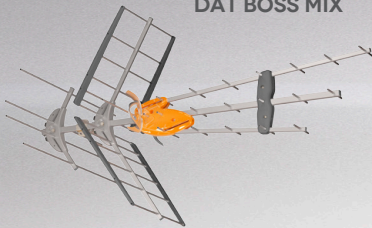
TForce is based on the manufacturing of gallium arsenide (GaAs) semiconductor components, **which provides products with functionalities that are difficult to match.**



DAT BOSS



DAT BOSS MIX



DAT BOSS LR



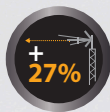
DAT BOSS MIX LR



IF THE DAT BOSS CAN'T RECEIVE IT, NOTHING CAN!



HIGH DYNAMIC RANGE



WIDER OTA COVERAGE AREA



VERY HIGH GAIN



VERY LOW NOISE FIGURE



LTE FILTERING

SCAN TO WATCH VIDEO



EN.TELEVES.COM/DATBOSS

A00391



100% Designed, Developed & Manufactured in Televés Corporation
televescorporation ■ televés.com ■ televés.usa@televés.com

Televés®

DESCRIPTION

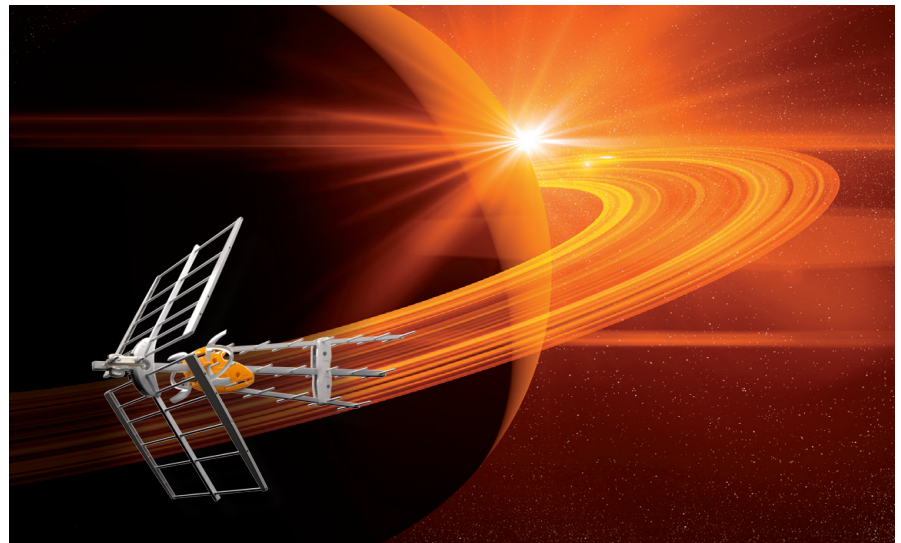
Televes redefined the antenna concept. Until now, an antenna was just a receive device for a TV installation in which gain and directivity were the main features. The introduction of an intelligent device like BOSS provided the antenna with the capacity to receive very weak signals with no risk of being affected by very strong signals, fluctuations not affecting the final result: the "dynamic range" concept turns out to be the most outstanding among quality parameters.

Creation of a BOSS with TForce technology, which is based on MMIC components, is an extraordinary milestone in dynamic range optimization. A technology that allowed the reception of distant satellites' lost signals is now allowing the enhancement of the coverage range in OTA installations.

DAT BOSS with TForce technology, is a unique and universal system for the reception of Over-The-Air signals: if DAT BOSS cannot capture it, nothing can.



Watch TForce video:
en.televes.com/tforce



MAIN FEATURES

The BOSS Tech system featured in the DAT BOSS antenna, automatically **controls the level of the received signal** (either very high or very low) in order to always ensure an optimal output level. Its new design with TForce technology, makes this intelligent device even more versatile:

■ HIGH DYNAMIC RANGE:

it allows you to receive high-quality TV in a variety of situations, from areas where signals are very weak to installations where they are very strong

■ OVER-THE-AIR COVERAGE ENHANCEMENT:

up to 27% higher than legacy models

■ MORE STABLE RECEPTION:

it supports signal variations or fading with no effect on the TV installation

■ OPTIMAL C/N:

thanks to a noise figure of only 1.2dB

■ VERY HIGH GAIN:

TForce increases the gain of the antenna in 13dB, in UHF and VHF HIGH

■ LTE FILTERING:

Televes DAT BOSS antennas are designed to reject LTE signals from US carriers

IT STANDS OUT FOR

■ Low power consumption in intelligent mode:

To activate the antenna intelligence, a high performance switched-mode PSU with an aesthetic design and small size is included in the kit.

■ Complete product range:

DAT BOSS

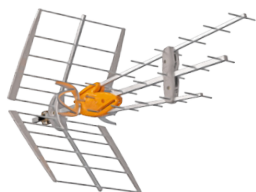
DAT BOSS MIX

DAT BOSS LR

DAT BOSS MIX LR

DAT BOSS ANTENNA WITH TFORCE TECHNOLOGY

DAT SERIES IN DETAIL: CHOOSE YOUR INTELLIGENT ANTENNA!



DAT BOSS: THE FIRST INTELLIGENT ANTENNA

| REF | DESCRIPTION | EAN 13 |
|--------|--------------------|---------------|
| 149983 | DAT BOSS + PSU 12V | 8424450185070 |

G. UHF
42dBi

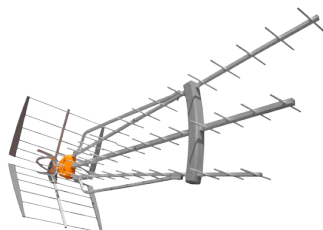


DAT BOSS MIX: COMBINED ANTENNA FOR VHF HIGH AND UHF RECEPTION

| REF | DESCRIPTION | EAN 13 |
|--------|------------------------|---------------|
| 149483 | DAT BOSS MIX + PSU 12V | 8424450185414 |

G. UHF
41dBi

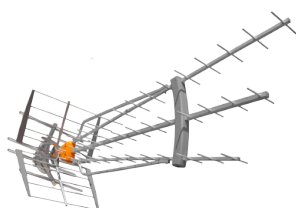
G. VHF-H
36,5dBi



DAT BOSS LR: LONG RANGE UHF ANTENNA FOR EXTREME RECEPTION CONDITIONS

| REF | DESCRIPTION | EAN 13 |
|--------|-----------------------|---------------|
| 149783 | DAT BOSS LR + PSU 12V | 8424450185384 |

G. UHF
47dBi



DAT BOSS MIX LR : COMBINED LONG RANGE ANTENNA FOR VHF HIGH AND UHF RECEPTION IN EXTREME CONDITIONS

| REF | DESCRIPTION | EAN 13 |
|--------|---------------------------|---------------|
| 149883 | DAT BOSS MIX LR + PSU 12V | 8424450185445 |

G. UHF
46dBi

G. VHF-H
36,5dBi

OTHER FEATURES

- **Intelligent mode or passive mode options** (power supply).
- DAT design, based on 3 Yagi antennas with asymmetric directors, provides **great directivity as well as an optimal anti-echo radiation pattern.**
- **Special double-U dipole:** it's open/close format provides optimal frequency response flatness.
- **A fully shielded switch box** protects the BOSS system from impulse noise; grounded for protection against electrical discharge.
- **Manufactured in aluminium** (corrosion resistant) for a long service life.
- Antennas provided in flat packaging includes both a folding mechanism and a cam mechanism in the antenna base to optimize **transport and storage**, while making installation easier.
- **Fully automated manufacturing** subject to strict quality control.

IF THE DAT BOSS CAN'T RECEIVE IT, NOTHING CAN!

TECHNICAL SPECIFICATIONS: DAT BOSS ANTENNAS

| Ref. | | DAT BOSS 149983 | | DAT BOSS MIX 149483 | | | | DAT BOSS LR 149783 | | DAT BOSS MIX LR 149883 | | | |
|-------------------------------|------|--|----------------|--|------------|-------------------------|----------|--|----------|--|---------|-------------------------|----------|
| Operating band | MHz | 470 - 698 (C.14 - C.51) | | 174 - 216 (C.7 - C.13) | | 470 - 698 (C.14 - C.51) | | 470 - 698 (C.14 - C.51) | | 174 - 216 (C.7 - C.13) | | 470 - 698 (C.14 - C.51) | |
| BOSS Mode | | OFF (passive) | ON (active) | OFF | ON | OFF | ON | OFF | ON | OFF | ON | OFF | ON |
| Gain | dBi | 17 | 42 max.* | 8.5 | 36.5 max.* | 16 | 41 max.* | 19 | 47 max.* | 8.5 | 36.5 | 18 | 46 max.* |
| Output level | dBμV | ---- | Auto* | ---- | Auto* | ---- | Auto* | ---- | Auto* | ---- | Auto* | ---- | Auto* |
| Noise figure | dB | ---- | 1.2 (typ) | ---- | 2 (typ) | ---- | 2 (typ) | ---- | 2 (typ) | ---- | 2 (typ) | ---- | 2 (typ) |
| Signal level (recommended) | dBmV | >15 | < 15 | >15 | < 15 | >15 | < 15 | >15 | < 15 | >15 | < 15 | >15 | < 15 |
| Power Supply | V=== | 0 | 12-24 | 0 | 12-24 | 0 | 12-24 | 0 | 12-24 | 0 | 12-24 | 0 | 12-24 |
| Consumption | mA | ---- | 40 max. | ---- | 40 max. | ---- | 40 max. | ---- | 40 max. | ---- | 40 max. | ---- | 40 max. |
| Beamwidth | ° | 30 | | 30 | | | | 27 | | 27 | | | |
| Wind load | N | 120 (@ 80miles/h) 165 (@ 93miles/h) | | 120 (@ 80miles/h) 165 (@ 93miles/h) | | | | 141 (@ 80miles/h) 194 (@ 93miles/h) | | 120 (@ 80miles/h) 165 (@ 93miles/h) | | | |

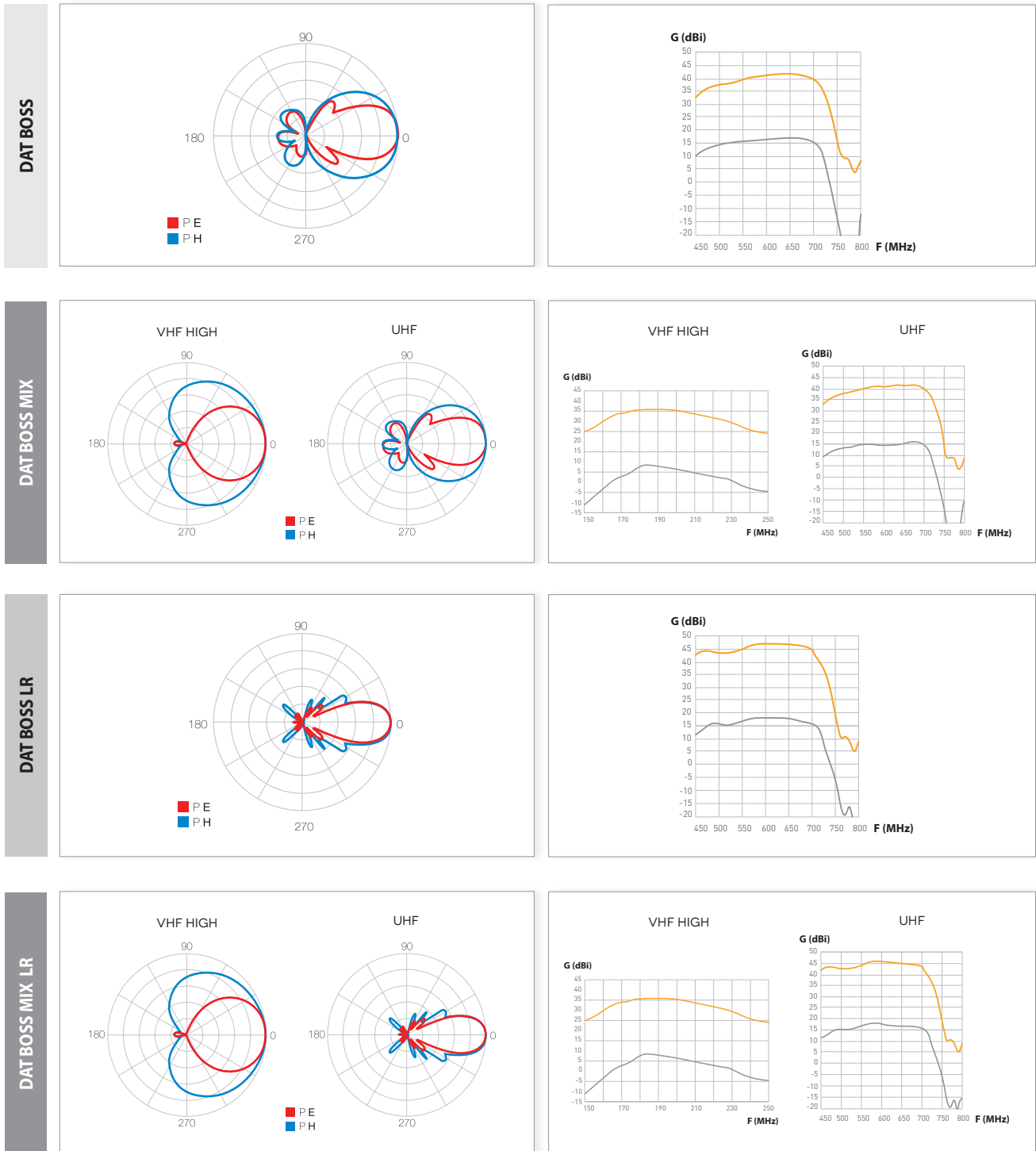
* Gain varies automatically based on output level.

TECHNICAL SPECIFICATIONS: POWER SUPPLY (INCLUDED IN THE KIT)

| Ref. | | 550104 | |
|---------------------|--------|----------------------|-----------------------|
| Frequency margin | MHz | 5-862 | |
| Through loss (Typ.) | dB | 1 Out | Main: 1.5 / Aux: ---- |
| | | 2 Out | Main: 4 / Aux: 4 |
| Output voltage | V=== | 12 ± 1.5 | |
| Max. output current | mA=== | 220 | |
| Min. output current | mA=== | 30 | |
| Mains voltage | V~ /Hz | 108 - 132 / 50 - 60 | |
| Max. consumpt | mA~/W | 65 / 3.6 | |
| Protection level | | IP 20 | |
| Working temperature | °F | 14 ... +113 | |
| Dimensions | in | 29.55 x 19.76 x 6.14 | |
| Working temperature | lb | 0.68 | |



DAT BOSS ANTENNA WITH TFORCE TECHNOLOGY

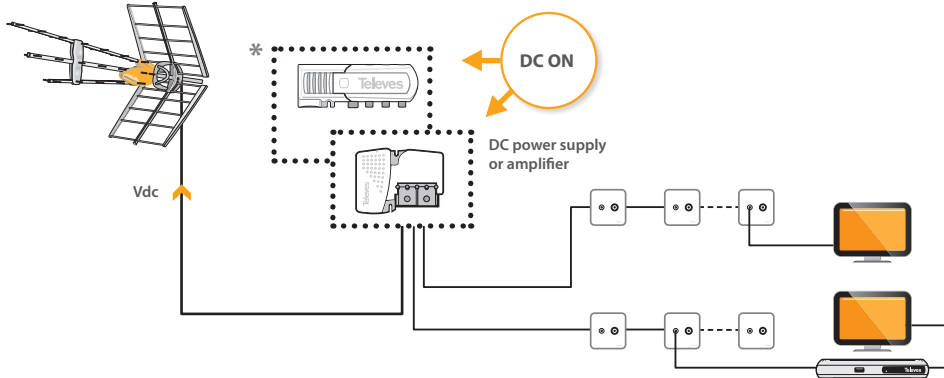


■ BOSS ACTIVATED ■ BOSS DEACTIVATED

IF THE DAT BOSS CAN'T RECEIVE IT, NOTHING CAN!

APPLICATION EXAMPLES

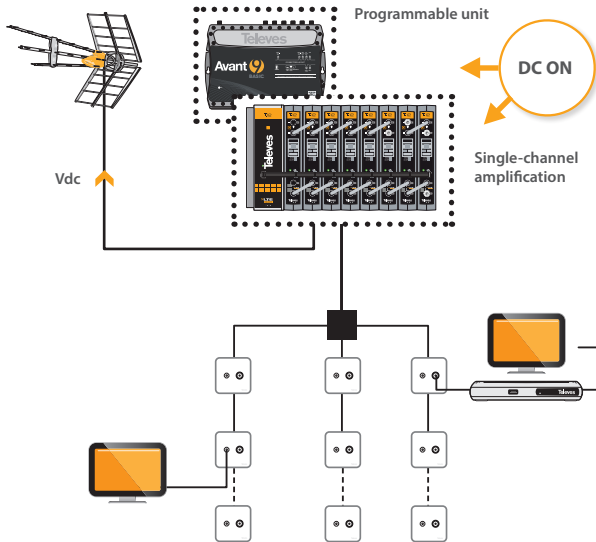
BOSS ACTIVATION BY MEANS OF A POWER SUPPLY UNIT OR AN AMPLIFIER



* Included in the KIT

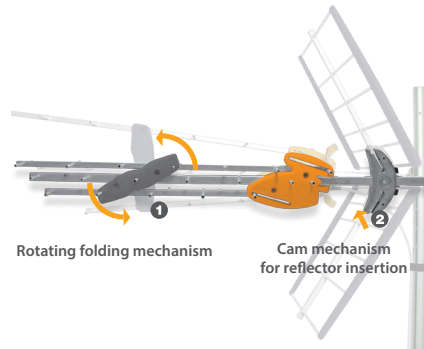
APPLICATION EXAMPLES

BOSS ACTIVATION VIA HEADEND SYSTEMS



MOUNTING SYSTEM

DAT BOSS & DAT BOSS MIX



DAT BOSS LR & DAT BOSS MIX LR

