



# TLC-500-H 4K UHD PTZ Video Camera



Telycam TLC-500-H is a professional grade 4K Ultra HD video camera, support IP, HDMI, SDI and USB3.0 simultaneously output , ideal for broadcast level AV solution, high end video conferencing and video surveillance application.

## Advantages

- ▶ Adopts most advanced DSP, 1/2.5 inch 12MP sensor;
- ▶ 4K video over IP, and support H.264, H.265 encoding;
- ▶ Support POE: easy to use one RJ45 cable to get video, control and power supply;
- ▶ IP, HDMI, SDI, USB3.0 outputs, fit for different application;
- ▶ Special Focusing Algorithm: fast and precise focusing performance when zooming or moving;
- ▶ Supplied with functional IR remote controller, can set IP address via OSD menu;

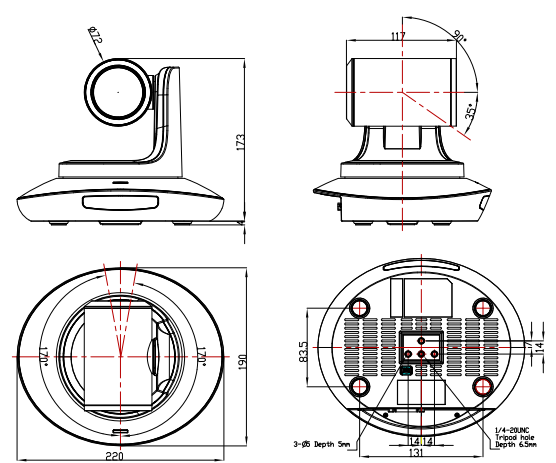
## Features

- ▶ IP, HDMI, SDI and USB outputs simultaneously;
- ▶ 12x Optical Zoom + 2x Digital Zoom;
- ▶ 3840x2160 p30 Ultra HD video resolution;
- ▶ Automatic access to the IP address;
- ▶ Smooth PTZ mechanical design, accurate pan tilt motor control;
- ▶ WDR, 3D Noise Reduction feature;
- ▶ 128 presets;
- ▶ Support RS232/485 serial control;
- ▶ Image flip function, support upside-down installation;
- ▶ Sony Visca and Pelco P/D protocol;
- ▶ Support daisy chain feature;

## Input/Output Interface



## Dimensional Drawing ( mm )



For more details, contact [telycam@telycam.com](mailto:telycam@telycam.com)





**Telycam**

**Technical Spec**

Model	TLC-500-H			
Sensor	1/2.5 inch, 12mega pixel high quality CMOS sensor			
Video System	HDMI	IP	3G-SDI	USB3.0
	3840x2160p30/25, 1080p60/50/30/25, 720p60/50/30/25, 1080i60/50	Main stream: 3840x2160p30, 1920x1080p60, Sub stream: 1280x720,704x576 640x480,352x288	1080p60/50/30/25; 720p60/50/30/25 1080i60/50	1080p60/50/30/25 720p60/50/30/25 <b>USB3.0&amp;USB2.0</b> 1024x576p30 960x540p30 640x360p30 352x288p30
Zoom	12x optical zoom & 2x digital zoom			
FOV	6.3° (near)~72.5° (far)			
F.no.	Wide: 1.84	Tele: 2.81		
Min. Focus Distance	Wide: 0.3m	Tele: 1m		
Preset	10 via remote controller; 128 via serial port; preset precision:0.1°			
Rotation Angle	Pan: -170° ~ +170° ; Tilt: -35° ~ +90°			
Rotation Speed	Pan: 0° ~120° /s ; Tilt: 0° ~80° /s			
Control Port	RS232 / RS485/RJ45			
Video Port	HDMI/ RJ45/SDI/USB3.0/USB2.0			
Network Speed	1000M			
Noise Reduction	2D&3D			
SNR	>50dB			
Focal Length	f=3.92(near)~ 47.32mm(far)			
Minimum Lux	0.01 lux			
White Balance	Auto / Manual/Auto Tracking/OnePush/Indoor/Outdoor/			
Anti Flicker	50Hz/60Hz/OFF			
D/N Mode	Supported			
Gamma	Supported			
Mirror Image	Supported			
PanTilt Flip	Supported			
Iris	Auto / Manual			
Electric Shutter	Auto / Manual			
BLC	Auto / Manual			
Focus	Auto / Manual			
Video Encoding	H.264/H.265			
Bit Rate Control	Variable Bit Rate, Constant Bit Rate			
Video Bit Rate	1024Kbps~30720Kbps			
Frames	50HZ:1fps~50fps 60HZ:1fps~60fps ( 3840x2160 max. 30fps )			
IP Protocol	TCP/IP, HTTP, RTSP, RTMP, Onvif, DHCP			
POE	Supported			
Input Voltage	DC12V, 2A			
Dimension	220mm × 173mm × 190mm			
Net Weight	1.25KGS ( 2.8LBS )			

**Telecam Technology Co.,Ltd**

Add.:6F, Building A, Shuanguan Information Technology Industrial Park, No.8, Baoqing Rd, Longgang District, Shenzhen, 518116, China

Tel: +86-755-33275155

Http://www.telycam.com www.telecamtech.com

E-mail: telycam@telycam.com