



Pro Audio Conferencing Kit- Echo Canceling Box with Professional Tabletop Microphone



Quick Start Guide

OVERVIEW



The Conferencing Kit is a high quality conferencing solution that is delivered with ease of use in mind. Although simple to set up, this high quality kit can take your conferencing solution to the next level.

The Conferencing Kit is a DSP based, HD Audio, single channel, echo cancellation system that is delivered to provide simple integration to any A/V conferencing device or computer. It is designed to be discrete and aesthetically pleasing while removing noise picked up by microphones in standard to complex audio conferencing environments.

The Conferencing Kit pairs a high quality MXL pro audio microphone with Phoenix Audio's echo canceling technology, together turning any room into a high quality collaboration environment.

IN THE BOX

- MT107-HD
- MXL Pro Audio Microphone
- 3.5mm Audio Cable (6ft)
- Micro-USB to USB Cable (6ft)

CONNECTING THE CONFERENCING KIT

CONNECTIONS OVERVIEW:

IN1 - Microphone: Connect your microphone into this jack (input level defaulted as mic level).

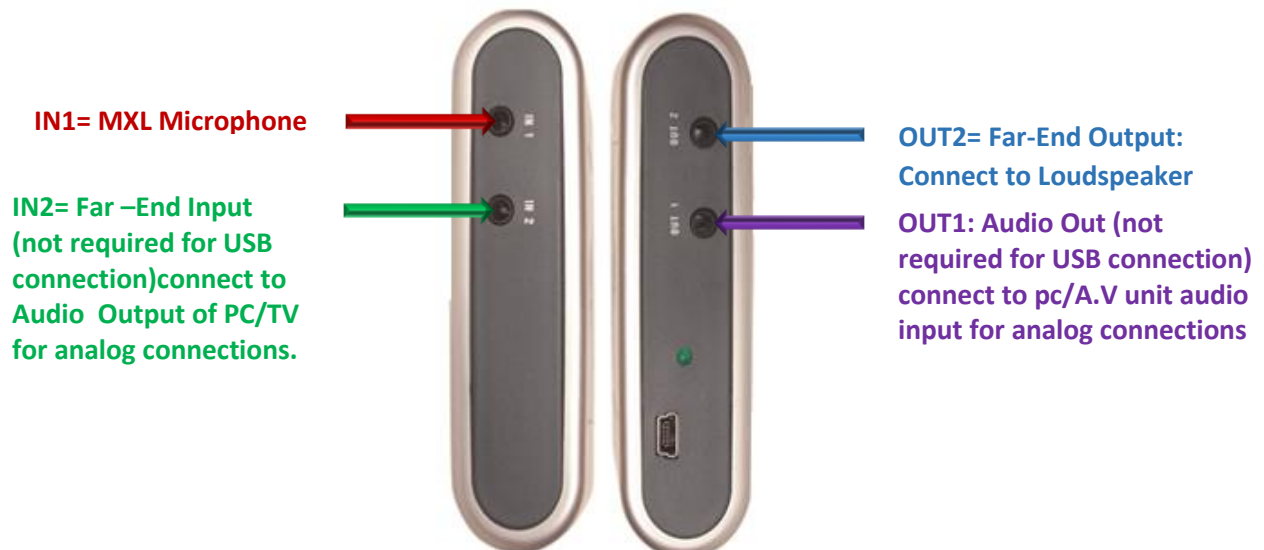
IN2 – Far-End Input (Speaker In): connect your system’s loudspeaker output into this jack **.NOT REQUIRED FOR USB COMMUNICATION. This connection is needed for reference echo cancelation when MT107 is connected to the system via USB.**

Important: If it is an Analog connection (i.e USB only for power) then the IN2 must connect to your systems Audio Output. If the USB is connected to Video Conferencing Device, & the Video conferencing device is connected to a T.V via HDMI, IN2 will have to connect to the Audio Output of the T.V (T.V External Speaker slot) via a 3.5mm audio cable. If the T.V Audio Output jack is anything other than a digital 3.5mm stereo jack, an appropriate audio cable or converter must be purchased separately.

USB – Computer input/output and power. Connect your computer or video conferencing device to this slot with the USB cable.

OUT1 –Audio Out: Connect OUT1 to your pc/video codec audio input.

OUT2 –Far-End Output (Loud Speaker): connect OUT2 to your system loudspeaker amplifier. This is the audio incoming from the far-end. **REQUIRED FOR USB COMMUNICATION.**



DIGITAL CONNECTION

STEP 1: CONNECTING THE MXL MICROPHONE TO THE MT107

Locate the MXL microphone provided and connect the 3.5mm jack to the back of the MXL microphone. Next, connect other end of this cable to the **IN1** slot on the MT107.

STEP 2: CONNECTING YOUR COMPUTER OR A/V PROCESSING UNIT TO THE USB SLOT

Simply plug in the USB cable provided by Phoenix Audio Technologies to the **USB slot** on the MT107 and the computer or A/V Processing Unit. The micro-USB side of the USB cable connects to the MT107. The regular USB side connects to any desired USB slot on your computer A/V processing unit.

STEP 3: CONNECTING THE INCOMING AUDIO FROM FAR-END TO YOUR SPEAKERS OR AMPLIFIER

If connecting to a computer: The incoming audio from the far-end is relayed through the **OUT2** slot. Connect your amplifier or speakers to this slot by plugging in the 3.5mm jack end of the cable connected to your amplifier or external speakers to the **OUT2** slot of the MT107. **OUT2 slot must be connected to external speakers.**

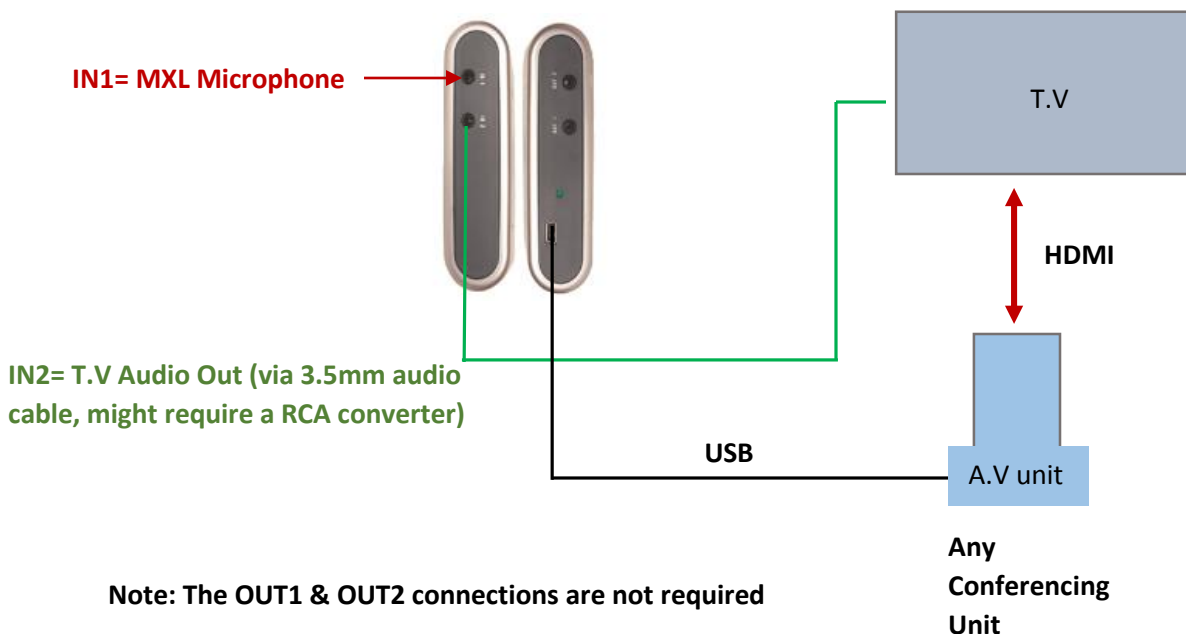
If connecting to an A/V device that is connected to a T.V via HDMI: The **OUT2** slot does not require a connection.

STEP 4: CONNECTING THE REFERENCE AUDIO TO THE MT107 (optional for a Computer Connection. Mandatory for Video Conferencing devices connected to a T.V)

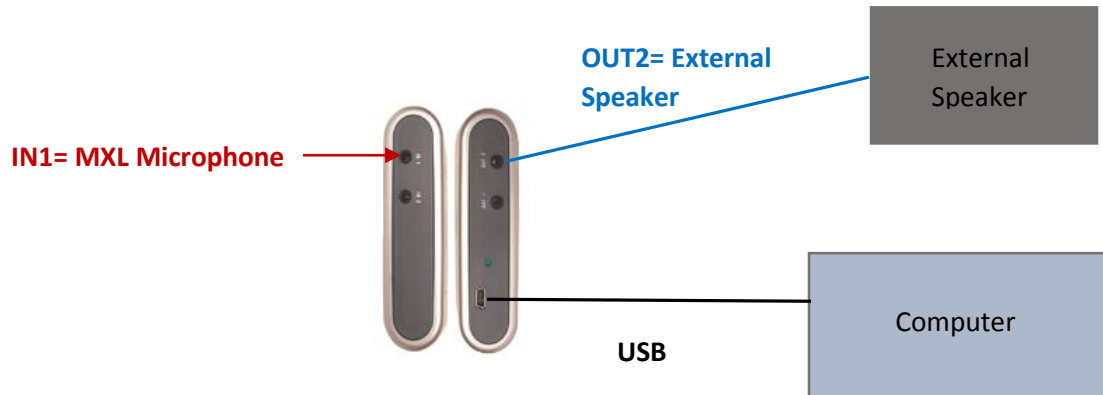
Computer Connection: Connect your systems loud speakers (audio out) relevant to the audio that needs to be canceled into **IN2** via a 3.5mm jack.

A/V System connected to a T.V via HDMI: Connect the T.V Audio Output to the **IN2** slot of the MT107. (Refer to figure below) (**Note: If a Headset jack is present on your T.V, you can connect it to the MT107 with the provided audio cable.** If the T.V Audio Output jack is anything other than a digital 3.5mm stereo jack, an appropriate audio cable or converter must be purchased separately.

CONNECTING TO A VIDEO CONFERENCING DEVICE



CONNECTING TO A COMPUTER



Note: IN2 is for reference Audio. OUT1 is not required. (Can be connected to a recording device to capture Far-End Input or to speaker to relay the local output audio as in a PA system)

ANALOG CONNECTION TO A VIDEO CONFERENCING DEVICE OR COMPUTER

STEP 1: CONNECTING THE MXL MICROPHONE TO THE MT107

Locate the MXL microphone provided and connect the 3.5mm jack to the analog jack in the back of the MXL microphone. Next, connect the opposite side of this same cable to the **IN1** slot on the MT107.

STEP 2: CONNECTING THE INCOMING AUDIO FROM FAR-END TO YOUR SPEAKERS OR AMPLIFIER

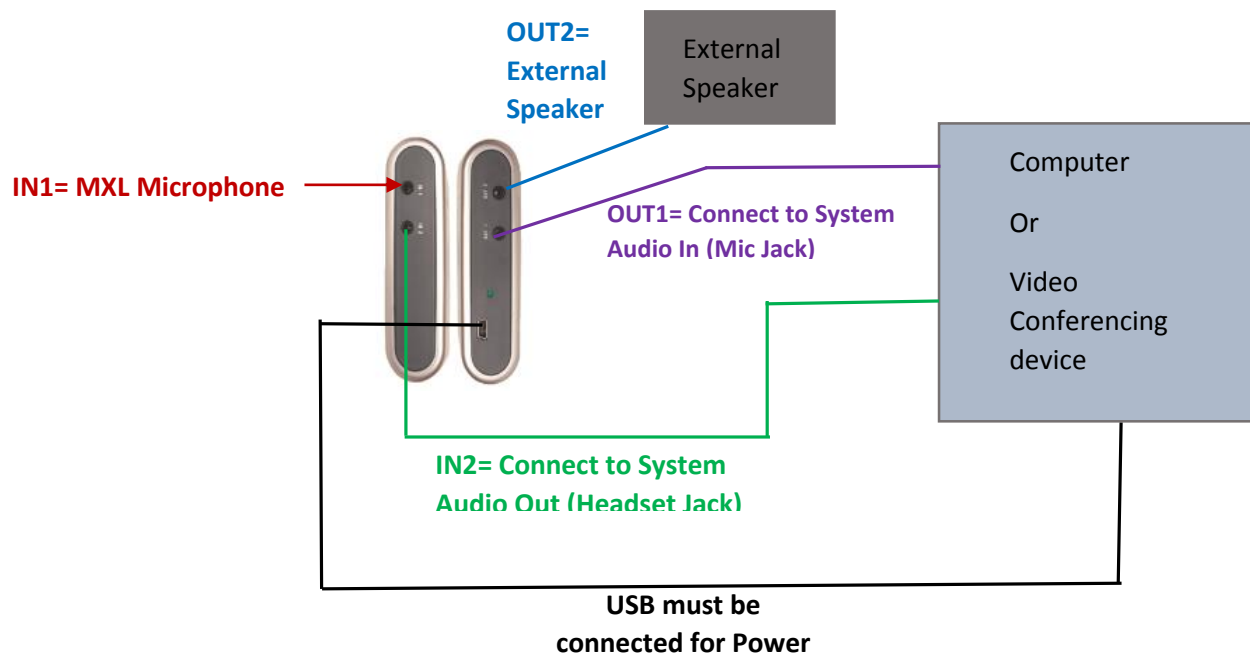
The incoming audio from the far-end is relayed through the **OUT2** slot. Connect your amplifier or speakers to this slot by plugging in the 3.5mm jack end of the cable connected to your amplifier or external speakers to the **OUT2** slot of the MT107. **The OUT2 slot must be connected to external speakers for incoming audio to be heard.**

STEP 3: USB MUST BE CONNECTED FOR POWER

Connect the USB cable to the **USB slot** on the MT107. Next, connect the other end of the USB cable to a computer or processing unit that is turned on. **(Important: Disable the USB as the default audio input/output device on your computer or video conferencing device through the control settings on the device or conferencing software)**

STEP 4: CONNECTING THE REFERENCE AUDIO TO THE MT107

Connect the device Audio Output to the **IN2** slot of the MT107. (Refer to figure below) **(Note: If a Headset jack is present on your device, you can connect it to the MT107 with the provided audio cable. If the T.V Audio Output jack is anything other than a digital 3.5mm stereo jack, an appropriate audio cable or converter must be purchased separately.**



For additional information please refer to our website at www.phnxaudio.com or contact us directly



www.phnxaudio.com | 16 Goodyear Suite 120 | Irvine, CA 92618 | ☎: 818.937.4779 | ✉: support@phnxaudio.com