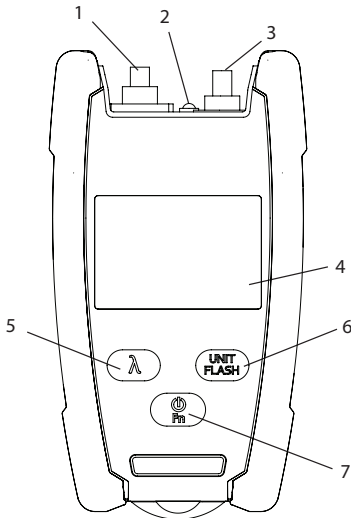


OPM210 & OPM220

Quick Reference



User's Guide

1. OPM Connector
2. LED Light
3. VFL Connector (PC)
4. LCD
5. Set/Ref Set
6. OPM Unit Set/Ref Set
7. Power on/off and Function

Fn — Power ON/OFF

Press the “Fn” key to turn on the device with auto power off.
 Press “Fn” key for two seconds when turning on device, auto power off will be canceled, LCD displays “PERM”.
 Press “Fn” key for two seconds to shut the device off.

Fn — Function Change

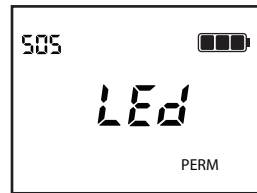
Press the “Fn” key to select OPM or VFL or LED function:



OPM



VFL



LED

OPM Mode

Press “λ” to select the wavelength. Press “Unit Flash” to change the unit dBm or dB.

VFL Mode

Press “Unit Flash” for two seconds for REF setting. Press “Unit Flash” and “λ” keys to reference 0dBm.

LED Mode

Press “Unit Flash” to change output mode, 2Hz modulation or continuous. Press “Unit Flash” to change from continuous to flash.