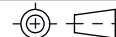


ThermoFisher
SCIENTIFIC
 275 AIKEN ROAD
 ASHEVILLE, NC 28804

THE INFORMATION CONTAINED HEREIN IS THE PROPRIETARY DATA OF THERMO FISHER SCIENTIFIC. IT IS NOT TO BE REPRODUCED OR DISCLOSED IN WHOLE OR IN PART WITHOUT PRIOR WRITTEN CONSENT OF THERMO FISHER SCIENTIFIC. DO NOT SCALE THIS DRAWING.

TITLE **REFRIGERATOR
 GLASS DOOR, 12 Cu. Ft.**

3rd ANGLE PROJECTION

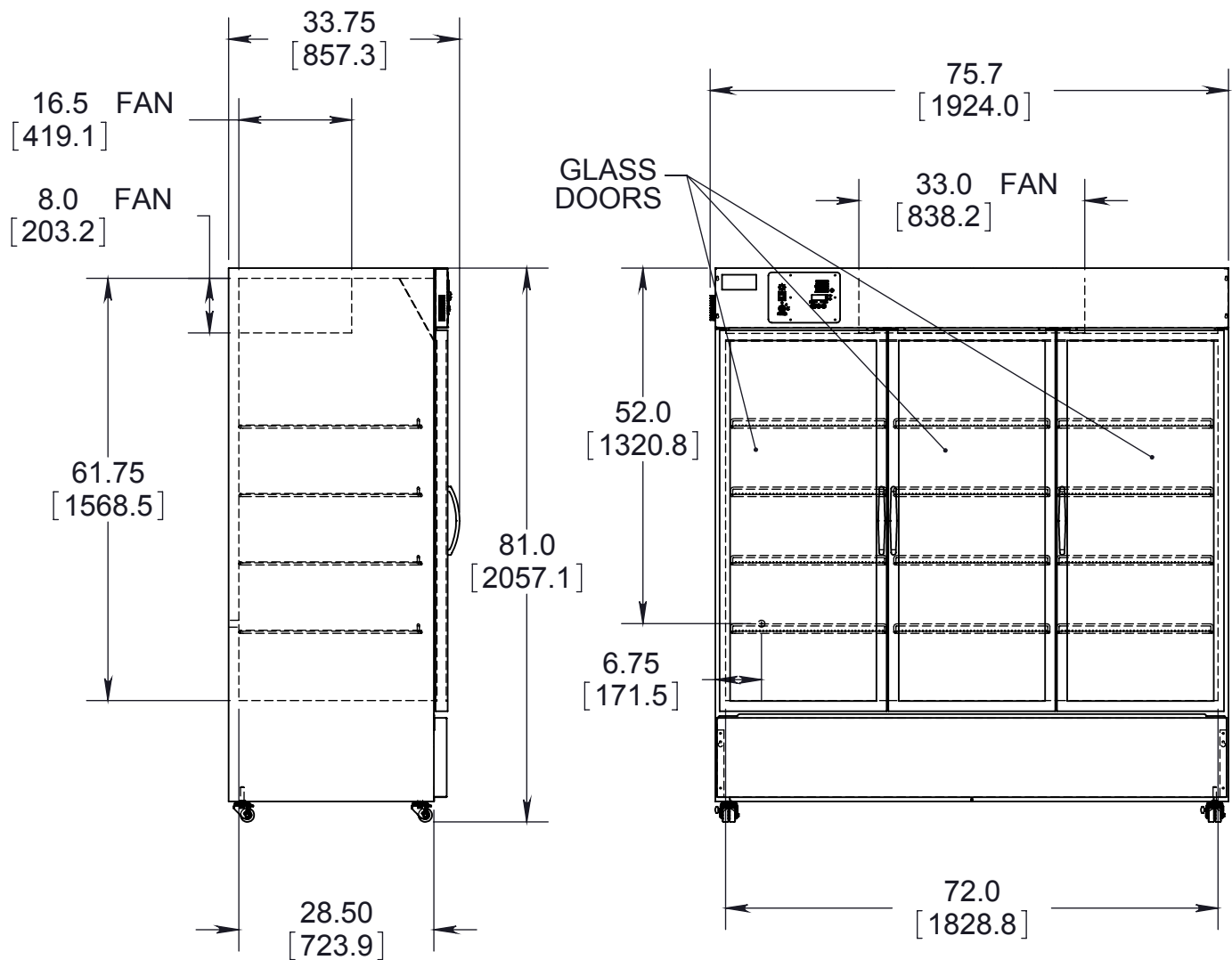


DWG. NO.

MR12PA-GAEE

-	60088	4/29/11	INITIAL RELEASE
REV.	ECN #	DATE	DESCRIPTION
REVISIONS			

SIZE **S** SHEET 1 OF 2



ThermoFisher
SCIENTIFIC
 275 AIKEN ROAD
 ASHEVILLE, NC 28804

THE INFORMATION CONTAINED HEREIN IS THE PROPRIETARY DATA OF THERMO FISHER SCIENTIFIC. IT IS NOT TO BE REPRODUCED OR DISCLOSED IN WHOLE OR IN PART WITHOUT PRIOR WRITTEN CONSENT OF THERMO FISHER SCIENTIFIC. DO NOT SCALE THIS DRAWING.

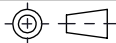
TITLE **REFRIGERATOR
 GLASS DOOR, 72 CuFt**

REV.	ECN #	DATE	DESCRIPTION
-	60088	2011-04-05	INITIAL RELEASE
REVISIONS			

3rd ANGLE PROJECTION		DWG. NO.
SIZE S	SHEET 1 OF 2	MR72SS-GAEE

GENERAL SPECIFICATIONS

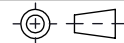
1. EXTERIOR FINISH: STAINLESS STEEL FRONT, PAINTED GRAY SIDES.
2. EXTERIOR DIMENSION:
WIDTH 1924.0mm(75.7") DEPTH 857.3mm(33.75") HEIGHT 2057.1mm(81")
3. INTERIOR FINISH: STAINLESS STEEL
4. INTERIOR DIMENSION:
WIDTH 1828.8mm(72") DEPTH 723.9mm(28.5") HEIGHT 1568.5mm(61.75")
5. INSULATION: FOAMED-IN-PLACE, CFC AND HCFC-FREE POLYURETHANE
6. GASKET: MAGNETIC
7. DOOR: DOUBLE PANE, TEMPERED GLASS, TRIPLE GLASS DOOR, KEY LOCK
8. SHELVES: GRAY-12 WIRE, EPOXY COATED, ADJUSTABLE IN 1/2" INCREMENTS
9. CASTERS: 4 STEM MOUNT
10. CONTROLLER: DIGITAL, FACTORY SET TO 4°C (39°F)
11. DEFROST: N/A
12. COMPRESSOR:1/2 HP, REFRIGERANT R 134A
13. ELECTRICAL DATA: 115V 60Hz / 9.9 AMPS
14. PLUG TYPE: NEMA 5-15P
15. TOTAL CAPACITY: 72 Cu.ft
16. TEMPERATURE RANGE: 1 TO 12°C
17. AVERAGE TEMPERATURE STABILITY: ± 3 °C
18. APPROVALS: UL/cUL
19. SHIPPING WEIGHT: 332KG (730 LBS).

ThermoFisher SCIENTIFIC 275 AIKEN ROAD ASHEVILLE, NC 28804		THE INFORMATION CONTAINED HEREIN IS THE PROPRIETARY DATA OF THERMO FISHER SCIENTIFIC. IT IS NOT TO BE REPRODUCED OR DISCLOSED IN WHOLE OR IN PART WITHOUT PRIOR WRITTEN CONSENT OF THERMO FISHER SCIENTIFIC. DO NOT SCALE THIS DRAWING.
TITLE REFRIGERATOR GLASS DOOR,72 CuFt		
3rd ANGLE PROJECTION 	DWG. NO. MR72SS-GAEE	
SIZE S	SHEET 2 OF 2	

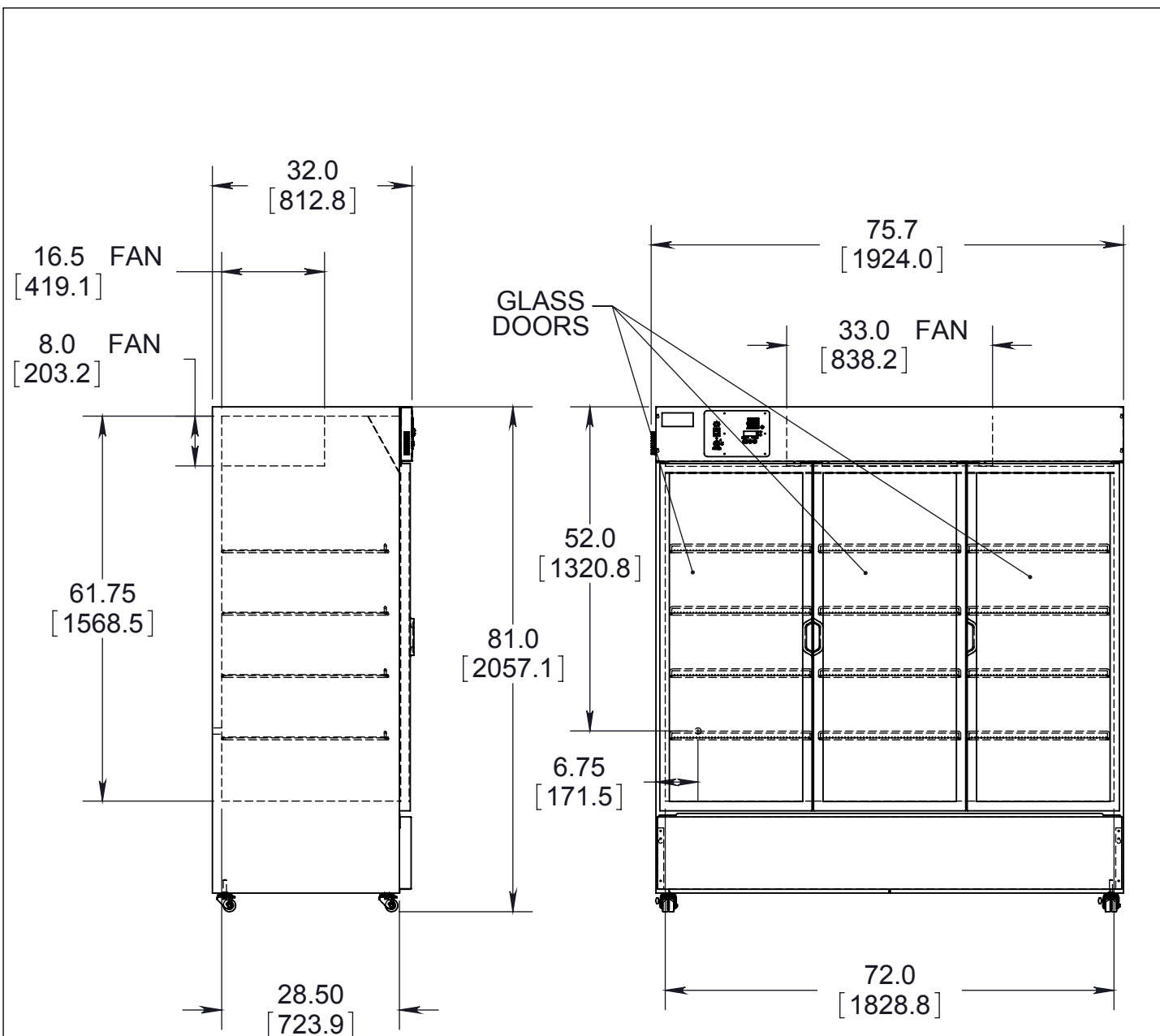
REV.	ECN#	DATE	DESCRIPTION
-	-	-	SEE SHEET 1
REVISIONS			

GENERAL SPECIFICATIONS

1. EXTERIOR FINISH: PAINTED WHITE
2. EXTERIOR DIMENSIONS:
WIDTH 1924.0mm(75.7") DEPTH 838.2mm(33") HEIGHT 2057.1mm(81")
3. INTERIOR FINISH: PAINTED WHITE
4. INTERIOR DIMENSIONS:
WIDTH 1828.8mm(72") DEPTH 723.9mm(28.5") HEIGHT 1568.5mm(61.75")
5. INSULATION: FOAMED-IN-PLACE, CFC AND HCFC-FREE POLYURETHANE
6. GASKET: MAGNETIC
7. DOOR: DOUBLE PANE, TEMPERED GLASS, TRIPLE GLASS DOOR, KEY LOCK
8. SHELVES: WHITE-12 WIRE, EPOXY COATED, ADJUSTABLE IN 1/2" INCREMENTS
9. CASTERS: 4 STEM MOUNT
10. CONTROLLER: DIGITAL, FACTORY SET TO 4°C (39°F)
11. DEFROST: N/A
12. COMPRESSOR: 1/2 HP, REFRIGERANT R 134A
13. ELECTRICAL DATA: 115V 60Hz / 9.9 AMPS
14. PLUG TYPE: NEMA 5-15P
15. TOTAL CAPACITY: 72 Cu.ft
16. TEMPERATURE RANGE: 1 TO 12°C
17. AVERAGE TEMPERATURE STABILITY: ± 3 °C
18. APPROVALS: UL/cUL
19. SHIPPING WEIGHT: 332KG (730 LBS).

ThermoFisher SCIENTIFIC 275 AIKEN ROAD ASHEVILLE, NC 28804		THE INFORMATION CONTAINED HEREIN IS THE PROPRIETARY DATA OF THERMO FISHER SCIENTIFIC. IT IS NOT TO BE REPRODUCED OR DISCLOSED IN WHOLE OR IN PART WITHOUT PRIOR WRITTEN CONSENT OF THERMO FISHER SCIENTIFIC. DO NOT SCALE THIS DRAWING.
TITLE REFRIGERATOR GLASS DOOR,72 CuFt		
3rd ANGLE PROJECTION 	DWG. NO. MR72PA-GARE	
SIZE S	SHEET 2 OF 2	

REV.	ECN#	DATE	DESCRIPTION
-	-	-	SEE SHEET 1
REVISIONS			



ThermoFisher
SCIENTIFIC
 275 AIKEN ROAD
 ASHEVILLE, NC 28804

THE INFORMATION CONTAINED HEREIN IS THE PROPRIETARY DATA OF THERMO FISHER SCIENTIFIC. IT IS NOT TO BE REPRODUCED OR DISCLOSED IN WHOLE OR IN PART WITHOUT PRIOR WRITTEN CONSENT OF THERMO FISHER SCIENTIFIC. DO NOT SCALE THIS DRAWING.

TITLE **REFRIGERATOR
 GLASS DOOR,72 CuFt**

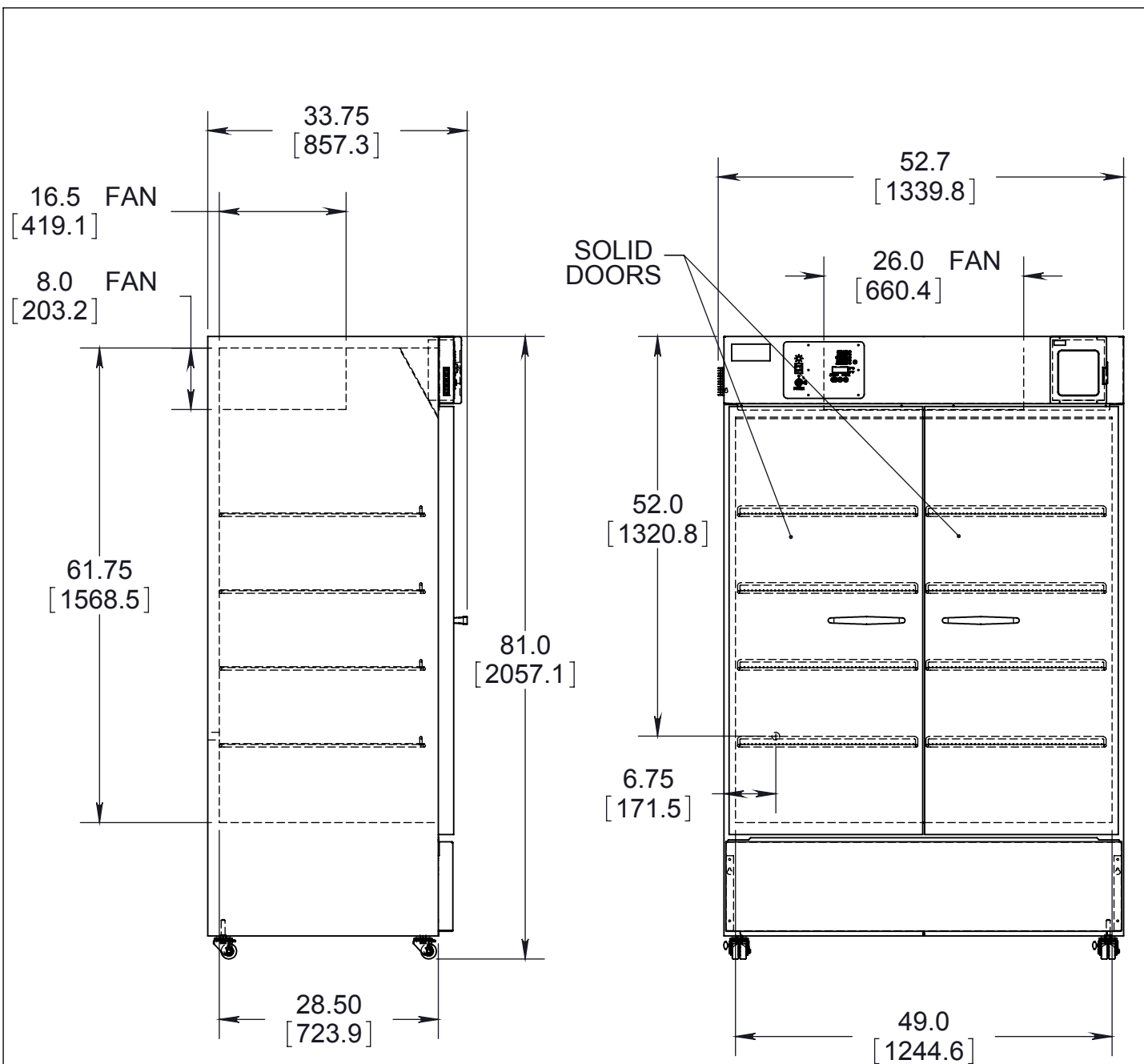
REV.	ECN #	DATE	DESCRIPTION
-	60088	2011-04-05	INITIAL RELEASE
REVISIONS			

3rd ANGLE PROJECTION	DWG. NO.
SIZE S	MR72PA-GAEE
SHEET 1 OF 2	

GENERAL SPECIFICATIONS

1. EXTERIOR FINISH: PAINTED WHITE
2. EXTERIOR DIMENSION:
WIDTH 1924.0mm(75.7") DEPTH 812.8mm(32") HEIGHT 2057.1mm(81")
3. INTERIOR FINISH: PAINTED WHITE
4. INTERIOR DIMENSION:
WIDTH 1828.8mm(72") DEPTH 723.9mm(28.5") HEIGHT 1568.5mm(61.75")
5. INSULATION: FOAMED-IN-PLACE, CFC AND HCFC-FREE POLYURETHANE
6. GASKET: MAGNETIC
7. DOOR: DOUBLE PANE, TEMPERED GLASS, TRIPLE GLASS DOOR, KEY LOCK
8. SHELVES: WHITE-12 WIRE, EPOXY COATED, ADJUSTABLE IN 1/2" INCREMENTS
9. CASTERS: 4 STEM MOUNT
10. CONTROLLER: DIGITAL, FACTORY SET TO 4°C (39°F)
11. DEFROST: N/A
12. COMPRESSOR:1/2 HP, REFRIGERANT R 134A
13. ELECTRICAL DATA: 115V 60Hz / 9.9 AMPS
14. PLUG TYPE: NEMA 5-15P
15. TOTAL CAPACITY: 72 Cu.ft
16. TEMPERATURE RANGE: 1 TO 12°C
17. AVERAGE TEMPERATURE STABILITY: ± 3 °C
18. APPROVALS: UL/cUL
19. SHIPPING WEIGHT: 332KG (730 LBS).

<p>ThermoFisher SCIENTIFIC 275 AIKEN ROAD ASHEVILLE, NC 28804</p>	<p>THE INFORMATION CONTAINED HEREIN IS THE PROPRIETARY DATA OF THERMO FISHER SCIENTIFIC. IT IS NOT TO BE REPRODUCED OR DISCLOSED IN WHOLE OR IN PART WITHOUT PRIOR WRITTEN CONSENT OF THERMO FISHER SCIENTIFIC. DO NOT SCALE THIS DRAWING.</p>																		
<p>TITLE REFRIGERATOR GLASS DOOR,72 CuFt</p>																			
<table border="1" style="width: 100%; border-collapse: collapse;"> <tr> <td style="width: 10%; text-align: center;">-</td> <td style="width: 10%; text-align: center;">-</td> <td style="width: 10%; text-align: center;">-</td> <td style="width: 70%;">SEE SHEET 1</td> </tr> <tr> <td style="text-align: center;">REV.</td> <td style="text-align: center;">ECN#</td> <td style="text-align: center;">DATE</td> <td style="text-align: center;">DESCRIPTION</td> </tr> <tr> <td colspan="4" style="text-align: center;">REVISIONS</td> </tr> </table>	-	-	-	SEE SHEET 1	REV.	ECN#	DATE	DESCRIPTION	REVISIONS				<table border="1" style="width: 100%; border-collapse: collapse;"> <tr> <td style="width: 30%; text-align: center;">3rd ANGLE PROJECTION</td> <td style="width: 20%; text-align: center;"> </td> <td style="width: 50%;">DWG. NO.</td> </tr> <tr> <td style="text-align: center;">SIZE S</td> <td style="text-align: center;">SHEET 2 OF 2</td> <td style="text-align: center;">MR72PA-GAEE</td> </tr> </table>	3rd ANGLE PROJECTION		DWG. NO.	SIZE S	SHEET 2 OF 2	MR72PA-GAEE
-	-	-	SEE SHEET 1																
REV.	ECN#	DATE	DESCRIPTION																
REVISIONS																			
3rd ANGLE PROJECTION		DWG. NO.																	
SIZE S	SHEET 2 OF 2	MR72PA-GAEE																	



ThermoFisher
SCIENTIFIC
 275 AIKEN ROAD
 ASHEVILLE, NC 28804

THE INFORMATION CONTAINED HEREIN IS THE PROPRIETARY DATA OF THERMO FISHER SCIENTIFIC. IT IS NOT TO BE REPRODUCED OR DISCLOSED IN WHOLE OR IN PART WITHOUT PRIOR WRITTEN CONSENT OF THERMO FISHER SCIENTIFIC. DO NOT SCALE THIS DRAWING.

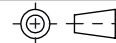
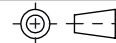
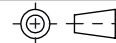
TITLE **REFRIGERATOR
 SOLID DOOR, 49 CuFt**

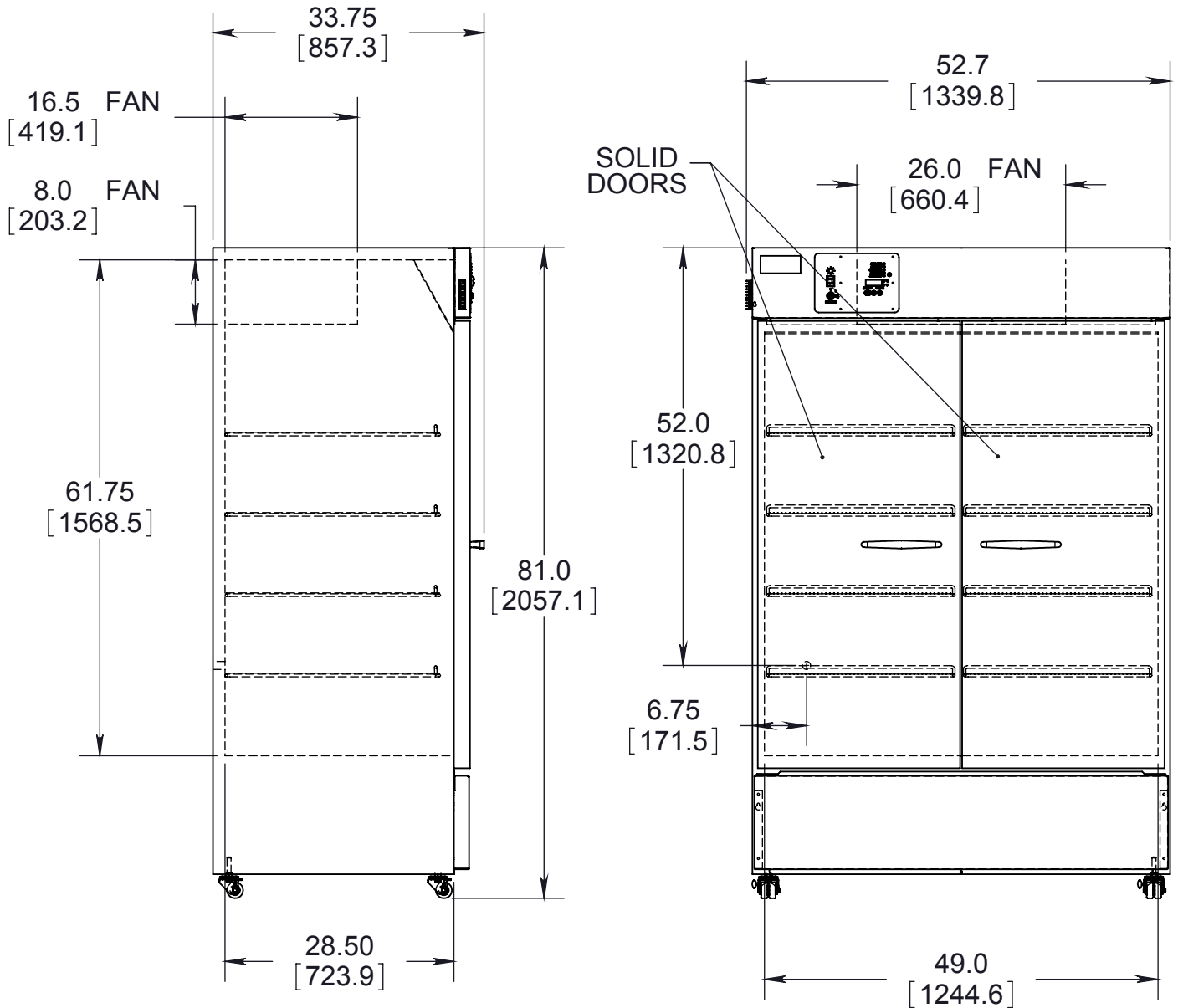
REV.	ECN #	DATE	DESCRIPTION
-	60088	2011-04-05	INITIAL RELEASE
REVISIONS			

3rd ANGLE PROJECTION	DWG. NO.
SIZE S	MR49SS-SARE
SHEET 1 OF 2	

GENERAL SPECIFICATIONS

1. EXTERIOR FINISH: STAINLESS STEEL FRONT, PAINTED GRAY SIDES
2. EXTERIOR DIMENSION:
WIDTH 1339.8mm(52.7") DEPTH 857.3mm(33.75") HEIGHT 2057.1mm(81")
3. INTERIOR FINISH: STAINLESS STEEL
4. INTERIOR DIMENSION:
WIDTH 1244.6mm(49") DEPTH 723.9mm(28.5") HEIGHT 1568.5mm(61.75")
5. INSULATION: FOAMED-IN-PLACE, CFC AND HCFC-FREE POLYURETHANE
6. GASKET: MAGNETIC
7. DOOR: SOLID STAINLESS STEEL DOUBLE DOOR, KEY LOCK
8. SHELVES:GRAY-8 WIRE, EPOXY COATED, ADJUSTABLE IN 1/2" INCREMENTS
9. CASTERS: 4 STEM MOUNT
10. CONTROLLER: DIGITAL, FACTORY SET TO 4°C (39°F)
11. DEFROST: N/A
12. COMPRESSOR:1/3 HP, REFRIGERANT R 134A
13. ELECTRICAL DATA: 115V 60Hz / 8.8 AMPS
14. PLUG TYPE: NEMA 5-15P
15. TOTAL CAPACITY: 49 Cu.ft
16. TEMPERATURE RANGE: 1 TO 12°C
17. AVERAGE TEMPERATURE STABILITY: ± 3 °C
18. APPROVALS: UL/cUL
19. SHIPPING WEIGHT: 271KG (597 LBS).

<p>ThermoFisher SCIENTIFIC 275 AIKEN ROAD ASHEVILLE, NC 28804</p>	<p>THE INFORMATION CONTAINED HEREIN IS THE PROPRIETARY DATA OF THERMO FISHER SCIENTIFIC. IT IS NOT TO BE REPRODUCED OR DISCLOSED IN WHOLE OR IN PART WITHOUT PRIOR WRITTEN CONSENT OF THERMO FISHER SCIENTIFIC. DO NOT SCALE THIS DRAWING.</p>																		
<p>TITLE REFRIGERATOR SOLID DOOR, 49 CuFt</p>																			
<table border="1" style="width: 100%; border-collapse: collapse;"> <tr> <td style="width: 10%; text-align: center;">-</td> <td style="width: 10%; text-align: center;">-</td> <td style="width: 10%; text-align: center;">-</td> <td style="width: 70%;">SEE SHEET 1</td> </tr> <tr> <td style="text-align: center;">REV.</td> <td style="text-align: center;">ECN#</td> <td style="text-align: center;">DATE</td> <td style="text-align: center;">DESCRIPTION</td> </tr> <tr> <td colspan="4" style="text-align: center;">REVISIONS</td> </tr> </table>	-	-	-	SEE SHEET 1	REV.	ECN#	DATE	DESCRIPTION	REVISIONS				<table border="1" style="width: 100%; border-collapse: collapse;"> <tr> <td style="width: 30%; text-align: center;">3rd ANGLE PROJECTION</td> <td style="width: 30%; text-align: center;">  </td> <td style="width: 40%;">DWG. NO.</td> </tr> <tr> <td style="text-align: center;">SIZE S</td> <td style="text-align: center;">SHEET 2 OF 2</td> <td style="text-align: center;">MR49SS-SARE</td> </tr> </table>	3rd ANGLE PROJECTION		DWG. NO.	SIZE S	SHEET 2 OF 2	MR49SS-SARE
-	-	-	SEE SHEET 1																
REV.	ECN#	DATE	DESCRIPTION																
REVISIONS																			
3rd ANGLE PROJECTION		DWG. NO.																	
SIZE S	SHEET 2 OF 2	MR49SS-SARE																	



ThermoFisher
SCIENTIFIC
 275 AIKEN ROAD
 ASHEVILLE, NC 28804

THE INFORMATION CONTAINED HEREIN IS THE PROPRIETARY DATA OF THERMO FISHER SCIENTIFIC. IT IS NOT TO BE REPRODUCED OR DISCLOSED IN WHOLE OR IN PART WITHOUT PRIOR WRITTEN CONSENT OF THERMO FISHER SCIENTIFIC. DO NOT SCALE THIS DRAWING.

TITLE **REFRIGERATOR
 SOLID DOOR, 49 CuFt**

REV.	ECN #	DATE	DESCRIPTION
-	60088	2011-04-05	INITIAL RELEASE
REVISIONS			

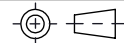
3rd ANGLE PROJECTION

SIZE **S** SHEET 1 OF 2

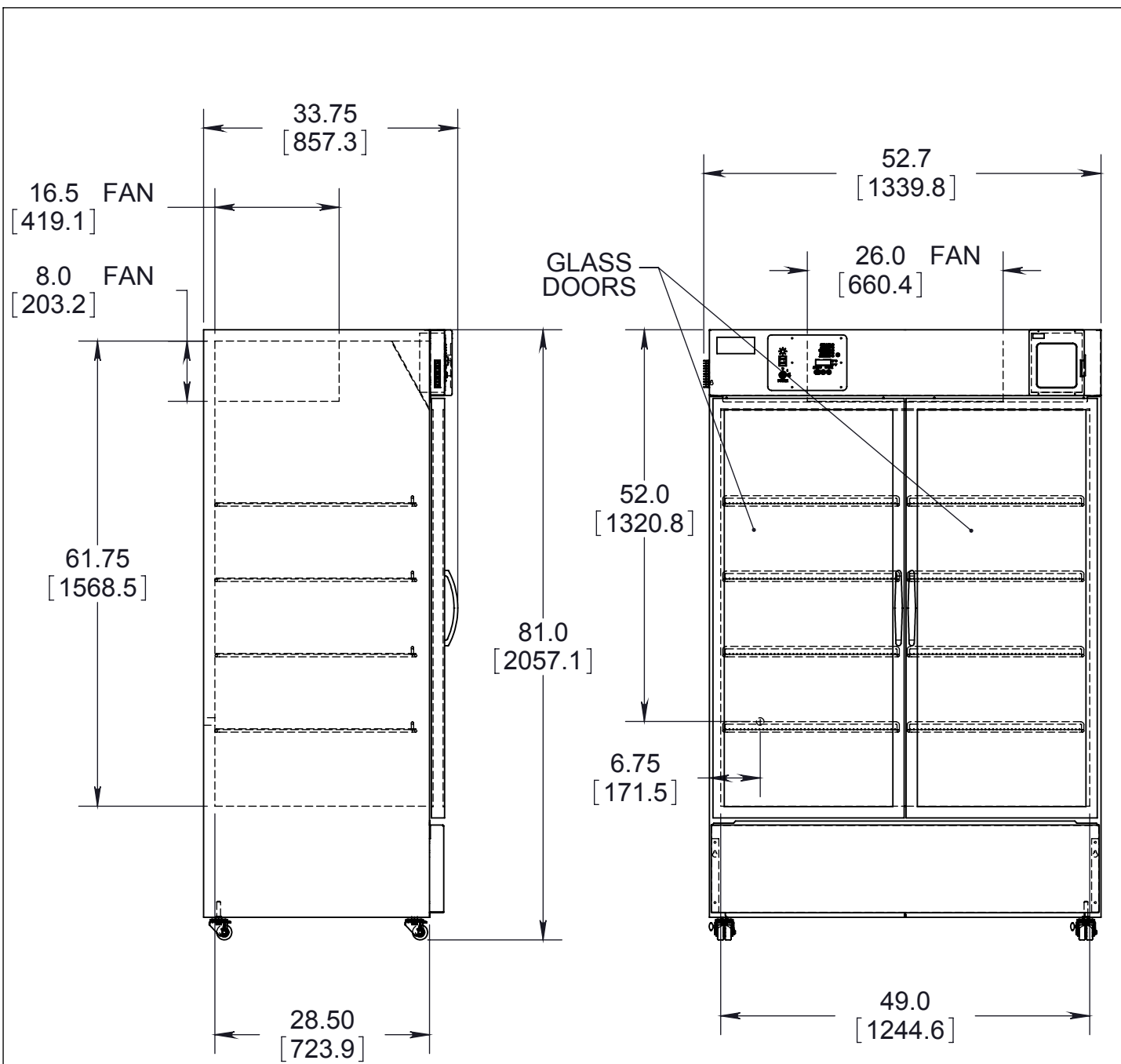
DWG. NO. **MR49SS-SAAE**

GENERAL SPECIFICATIONS

1. EXTERIOR FINISH: STAINLESS STEEL FRONT, PAINTED GRAY SIDES
2. EXTERIOR DIMENSION:
WIDTH 1339.8mm(52.7") DEPTH 857.3mm(33.75") HEIGHT 2057.1mm(81")
3. INTERIOR FINISH: STAINLESS STEEL
4. INTERIOR DIMENSION:
WIDTH 1244.6mm(49") DEPTH 723.9mm(28.5") HEIGHT 1568.5mm(61.75")
5. INSULATION: FOAMED-IN-PLACE, CFC AND HCFC-FREE POLYURETHANE
6. GASKET: MAGNETIC
7. DOOR: SOLID STAINLESS STEEL DOUBLE DOOR, KEY LOCK
8. SHELVES: GRAY-8 WIRE, EPOXY COATED, ADJUSTABLE IN 1/2" INCREMENTS
9. CASTERS: 4 STEM MOUNT
10. CONTROLLER: DIGITAL, FACTORY SET TO 4°C (39°F)
11. DEFROST: N/A
12. COMPRESSOR: 1/3 HP, REFRIGERANT R 134A
13. ELECTRICAL DATA: 115V 60Hz / 8.8 AMPS
14. PLUG TYPE: NEMA 5-15P
15. TOTAL CAPACITY: 49 Cu.ft
16. TEMPERATURE RANGE: 1 TO 12°C
17. AVERAGE TEMPERATURE STABILITY: ± 3 °C
18. APPROVALS: UL/cUL
19. SHIPPING WEIGHT: 271KG (597 LBS).

ThermoFisher SCIENTIFIC 275 AIKEN ROAD ASHEVILLE, NC 28804		THE INFORMATION CONTAINED HEREIN IS THE PROPRIETARY DATA OF THERMO FISHER SCIENTIFIC. IT IS NOT TO BE REPRODUCED OR DISCLOSED IN WHOLE OR IN PART WITHOUT PRIOR WRITTEN CONSENT OF THERMO FISHER SCIENTIFIC. DO NOT SCALE THIS DRAWING.
TITLE REFRIGERATOR SOLID DOOR, 49 CuFt		
3rd ANGLE PROJECTION 	DWG. NO. MR49SS-SAE	
SIZE S	SHEET 2 OF 2	

REV.	ECN#	DATE	DESCRIPTION
-	-	-	SEE SHEET 1
REVISIONS			



ThermoFisher
SCIENTIFIC
 275 AIKEN ROAD
 ASHEVILLE, NC 28804

THE INFORMATION CONTAINED HEREIN IS THE PROPRIETARY DATA OF THERMO FISHER SCIENTIFIC. IT IS NOT TO BE REPRODUCED OR DISCLOSED IN WHOLE OR IN PART WITHOUT PRIOR WRITTEN CONSENT OF THERMO FISHER SCIENTIFIC. DO NOT SCALE THIS DRAWING.

TITLE **REFRIGERATOR
 GLASS DOOR, 49 CuFt**

REV.	ECN #	DATE	DESCRIPTION
-	60088	2011-04-05	INITIAL RELEASE
REVISIONS			

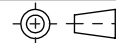
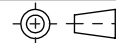
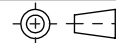
3rd ANGLE PROJECTION

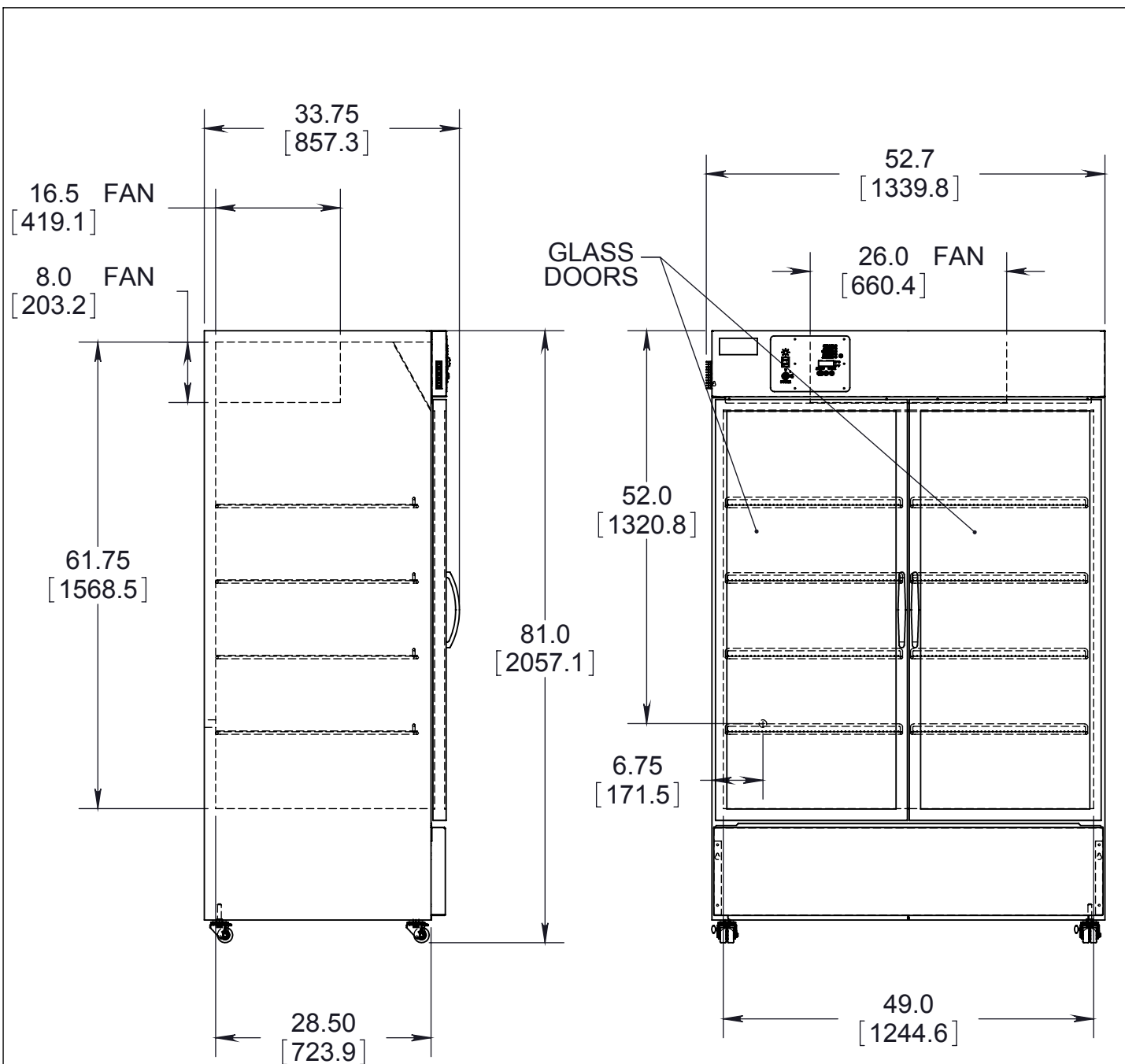
SIZE **S** SHEET 1 OF 2

DWG. NO. **MR49SS-GARE**

GENERAL SPECIFICATIONS

1. EXTERIOR FINISH: STAINLESS STEEL FRONT, PAINTED GRAY SIDES
2. EXTERIOR DIMENSION:
WIDTH 1339.8mm(52.7") DEPTH 857.3mm(33.75") HEIGHT 2057.1mm(81")
3. INTERIOR FINISH: STAINLESS STEEL
4. INTERIOR DIMENSION:
WIDTH 1244.6mm(49") DEPTH 723.9mm(28.5") HEIGHT 1568.5mm(61.75")
5. INSULATION: FOAMED-IN-PLACE, CFC AND HCFC-FREE POLYURETHANE
6. GASKET: MAGNETIC
7. DOOR: DOUBLE PANE, TEMPERED GLASS, DOUBLE DOOR, KEY LOCK
8. SHELVES: GRAY-8 WIRE, EPOXY COATED, ADJUSTABLE IN 1/2" INCREMENTS
9. CASTERS: 4 STEM MOUNT
10. CONTROLLER: DIGITAL, FACTORY SET TO 4°C (39°F)
11. DEFROST: N/A
12. COMPRESSOR: 1/3 HP, REFRIGERANT R 134A
13. ELECTRICAL DATA: 115V 60Hz / 8.8 AMPS
14. PLUG TYPE: NEMA 5-15P
15. TOTAL CAPACITY: 49 Cu.ft
16. TEMPERATURE RANGE: 1 TO 12°C
17. AVERAGE TEMPERATURE STABILITY: ± 3 °C
18. APPROVALS: UL/cUL
19. SHIPPING WEIGHT: 271KG (597 LBS).

<p>ThermoFisher SCIENTIFIC 275 AIKEN ROAD ASHEVILLE, NC 28804</p>	<p>THE INFORMATION CONTAINED HEREIN IS THE PROPRIETARY DATA OF THERMO FISHER SCIENTIFIC. IT IS NOT TO BE REPRODUCED OR DISCLOSED IN WHOLE OR IN PART WITHOUT PRIOR WRITTEN CONSENT OF THERMO FISHER SCIENTIFIC. DO NOT SCALE THIS DRAWING.</p>																		
<p>TITLE REFRIGERATOR GLASS DOOR, 49 CuFt</p>																			
<table border="1" style="width: 100%; border-collapse: collapse;"> <tr> <td style="width: 10%; text-align: center;">-</td> <td style="width: 10%; text-align: center;">-</td> <td style="width: 10%; text-align: center;">-</td> <td style="width: 70%;">SEE SHEET 1</td> </tr> <tr> <td style="text-align: center;">REV.</td> <td style="text-align: center;">ECN#</td> <td style="text-align: center;">DATE</td> <td style="text-align: center;">DESCRIPTION</td> </tr> <tr> <td colspan="4" style="text-align: center;">REVISIONS</td> </tr> </table>	-	-	-	SEE SHEET 1	REV.	ECN#	DATE	DESCRIPTION	REVISIONS				<table border="1" style="width: 100%; border-collapse: collapse;"> <tr> <td style="width: 30%; text-align: center;">3rd ANGLE PROJECTION</td> <td style="width: 20%; text-align: center;">  </td> <td style="width: 50%;">DWG. NO.</td> </tr> <tr> <td style="text-align: center;">SIZE S</td> <td style="text-align: center;">SHEET 2 OF 2</td> <td style="text-align: center;">MR49SS-GARE</td> </tr> </table>	3rd ANGLE PROJECTION		DWG. NO.	SIZE S	SHEET 2 OF 2	MR49SS-GARE
-	-	-	SEE SHEET 1																
REV.	ECN#	DATE	DESCRIPTION																
REVISIONS																			
3rd ANGLE PROJECTION		DWG. NO.																	
SIZE S	SHEET 2 OF 2	MR49SS-GARE																	

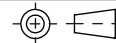


ThermoFisher
SCIENTIFIC
 275 AIKEN ROAD
 ASHEVILLE, NC 28804

THE INFORMATION CONTAINED HEREIN IS THE PROPRIETARY DATA OF THERMO FISHER SCIENTIFIC. IT IS NOT TO BE REPRODUCED OR DISCLOSED IN WHOLE OR IN PART WITHOUT PRIOR WRITTEN CONSENT OF THERMO FISHER SCIENTIFIC. DO NOT SCALE THIS DRAWING.

TITLE **REFRIGERATOR
 GLASS DOOR, 49 CuFt**

REV.	ECN #	DATE	DESCRIPTION
-	60088	2011-04-05	INITIAL RELEASE
REVISIONS			

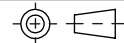
3rd ANGLE PROJECTION 

SIZE **S** SHEET 1 OF 2

DWG. NO. **MR49SS-GAEE**

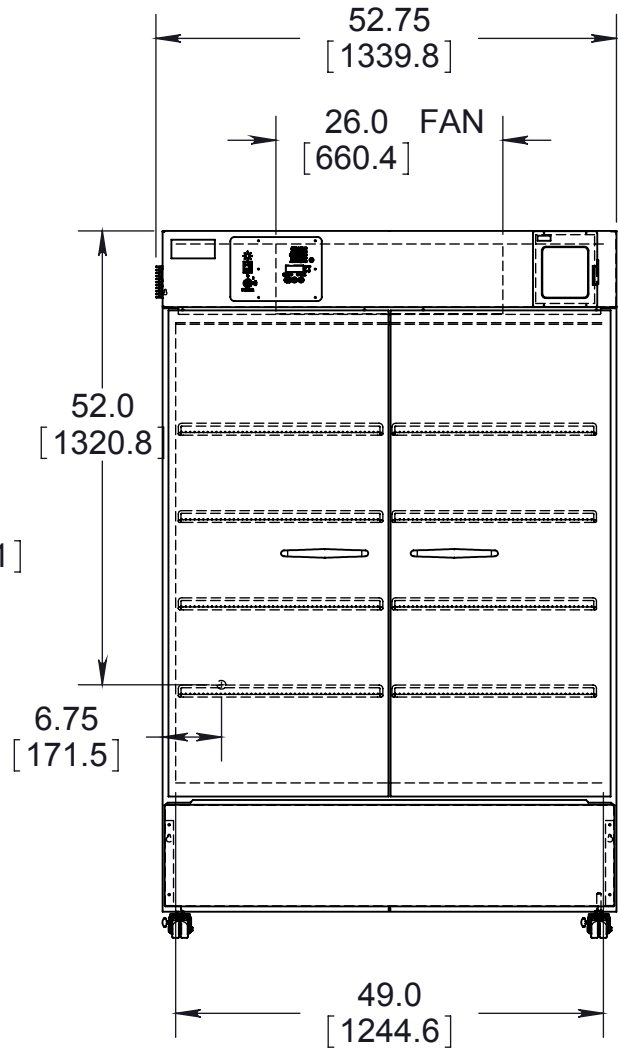
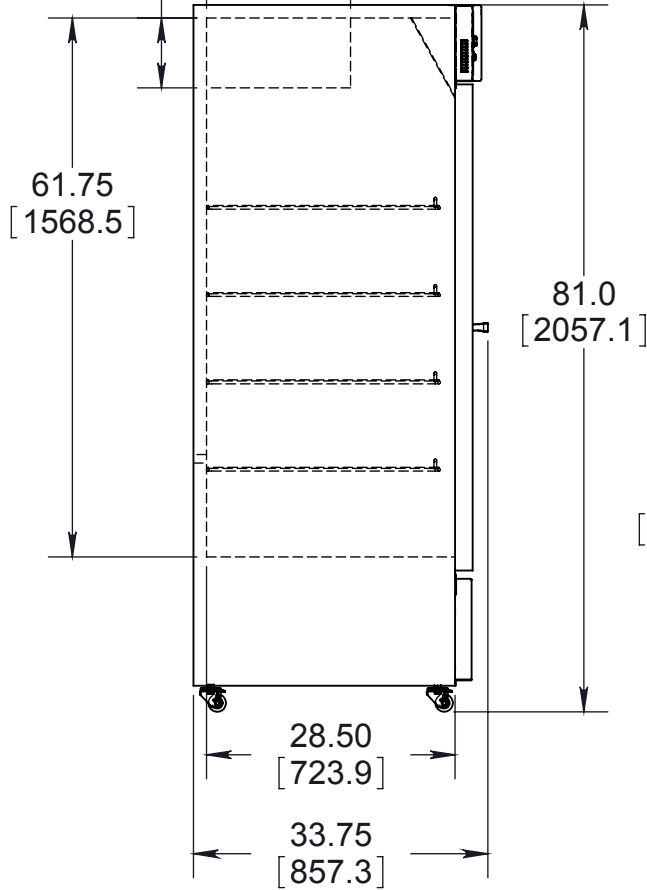
GENERAL SPECIFICATIONS

1. EXTERIOR FINISH: STAINLESS STEEL FRONT, PAINTED GRAY SIDES
2. EXTERIOR DIMENSION:
WIDTH 1339.8mm(52.7") DEPTH 857.3mm(33.75") HEIGHT 2057.1mm(81")
3. INTERIOR FINISH: STAINLESS STEEL
4. INTERIOR DIMENSION:
WIDTH 1244.6mm(49") DEPTH 723.9mm(28.5") HEIGHT 1568.5mm(61.75")
5. INSULATION: FOAMED-IN-PLACE, CFC AND HCFC-FREE POLYURETHANE
6. GASKET: MAGNETIC
7. DOOR: DOUBLE PANE, TEMPERED GLASS, DOUBLE DOOR, KEY LOCK
8. SHELVES:GRAY-8 WIRE, EPOXY COATED, ADJUSTABLE IN 1/2" INCREMENTS
9. CASTERS: 4 STEM MOUNT
10. CONTROLLER: DIGITAL, FACTORY SET TO 4°C (39°F)
11. DEFROST: N/A
12. COMPRESSOR:1/3 HP, REFRIGERANT R 134A
13. ELECTRICAL DATA: 115V 60Hz / 8.8 AMPS
14. PLUG TYPE: NEMA 5-15P
15. TOTAL CAPACITY: 49 Cu.ft
16. TEMPERATURE RANGE: 1 TO 12°C
17. AVERAGE TEMPERATURE STABILITY: ± 3 °C
18. APPROVALS: UL/cUL
19. SHIPPING WEIGHT: 271KG (597 LBS).

ThermoFisher S C I E N T I F I C 275 AIKEN ROAD ASHEVILLE, NC 28804		THE INFORMATION CONTAINED HEREIN IS THE PROPRIETARY DATA OF THERMO FISHER SCIENTIFIC. IT IS NOT TO BE REPRODUCED OR DISCLOSED IN WHOLE OR IN PART WITHOUT PRIOR WRITTEN CONSENT OF THERMO FISHER SCIENTIFIC. DO NOT SCALE THIS DRAWING.
TITLE REFRIGERATOR GLASS DOOR, 49 CuFt		
3rd ANGLE PROJECTION 	DWG. NO. MR49SS-GAEE	
SIZE S	SHEET 2 OF 2	

REV.	ECN#	DATE	DESCRIPTION
-	-	-	SEE SHEET 1
REVISIONS			

16.5 FAN
[419.1]
8.0 FAN
[203.2]



ThermoFisher
SCIENTIFIC
275 AIKEN ROAD
ASHEVILLE, NC 28804

THE INFORMATION CONTAINED HEREIN IS THE PROPRIETARY DATA OF THERMO FISHER SCIENTIFIC. IT IS NOT TO BE REPRODUCED OR DISCLOSED IN WHOLE OR IN PART WITHOUT PRIOR WRITTEN CONSENT OF THERMO FISHER SCIENTIFIC. DO NOT SCALE THIS DRAWING.

TITLE **REFRIGERATOR
SOLID SS DOOR
49 CuFt**

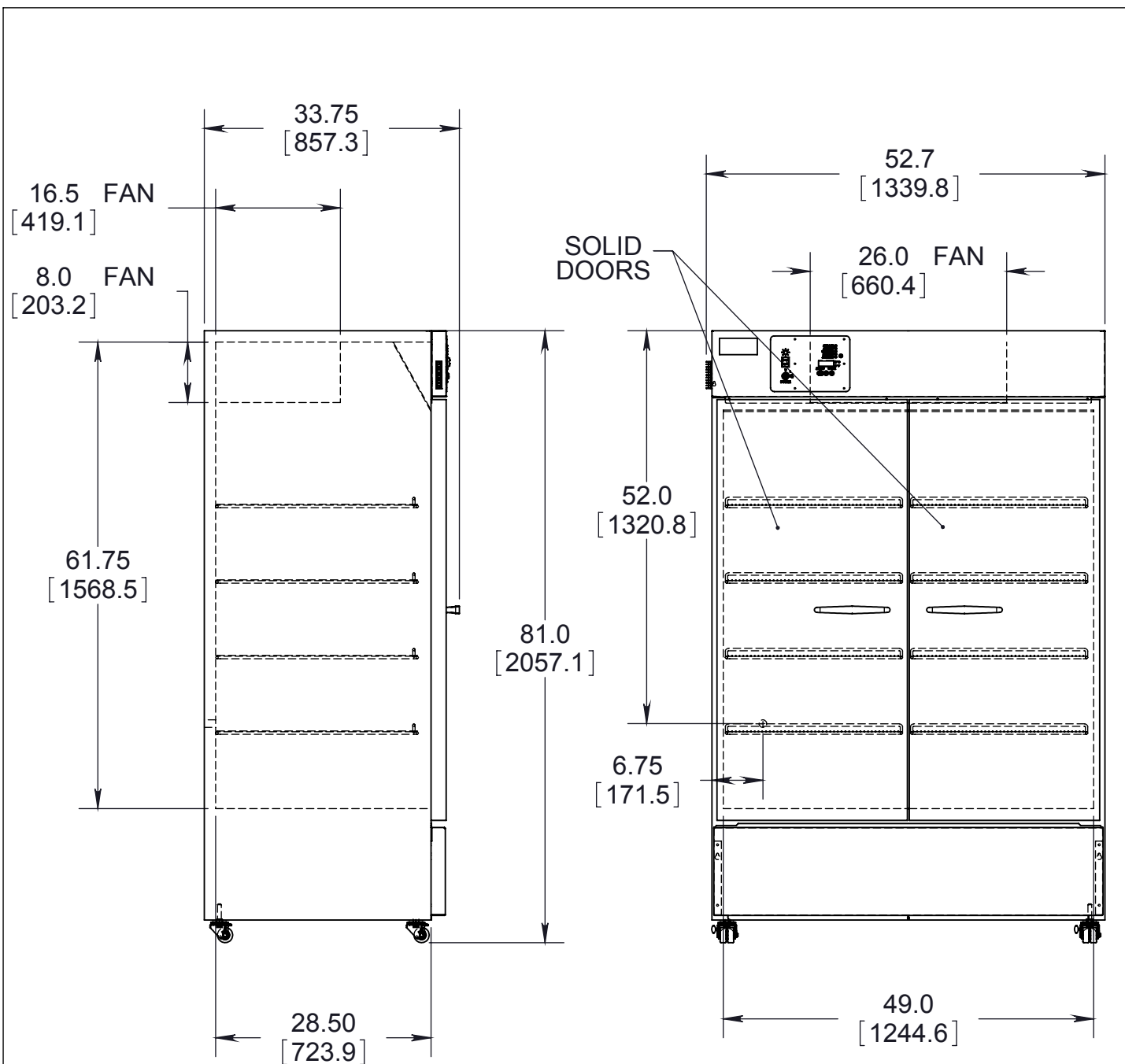
REV.	ECN #	DATE	DESCRIPTION
-	60088	2011-04-06	INITIAL RELEASE
REVISIONS			

3rd ANGLE PROJECTION	DWG. NO.
SIZE S	MR49PA-SARE
SHEET 1 OF 2	

GENERAL SPECIFICATIONS

1. EXTERIOR: PAINTED WHITE
2. EXTERIOR DIEMENSION: WIDTH 1339.8mm(52.75") DEPTH 857.3mm(33.75") HEIGHT 2057.10mm(81")
3. INTERIOR: PAINTED WHITE
4. INTERIOR DIEMENSION: WIDTH 1244.6mm(49") DEPTH 723.9mm(28.5") HEIGHT 1568.450mm(61.75")
5. INSULATION: FOAMED IN PLACE, CFC AND HCFC-FREE POLYURETHANE
6. GASKET: MAGNETIC
7. DOOR: SOLID STAINLESS STEEL DOOR SINGLE, KEY LOCK
8. SHELVES: WHITE-8 WIRE, EPOXY COATED, ADJUSTABLE IN 1/2" INCREMENTS.
9. CASTERS: 4 STEM MOUNT
10. CONTROLLER: DIGITAL, FACTORY PRESET TO 4°C(39°F)
11. DEFROST: N/A
12. COMPRESSOR: 1/3 HP, REFERIGERANT R 134A
13. TEMPERATURE RANGE: 1 TO 12°C
14. AVERAGE TEMPERATURE STABILITY: ±3°C
15. APPROVALS: UL/cUL
16. ELECTRICAL DATA: 115V 60Hz / 8.8 AMPS
17. PLUG TYPE: NEMA 5-15P
18. TOTAL CAPACITY: 49 CuFt
19. SHIPPING WEIGHT: 271KG (597LBS).

<p>ThermoFisher SCIENTIFIC 275 AIKEN ROAD ASHEVILLE, NC 28804</p>	<p>THE INFORMATION CONTAINED HEREIN IS THE PROPRIETARY DATA OF THERMO FISHER SCIENTIFIC. IT IS NOT TO BE REPRODUCED OR DISCLOSED IN WHOLE OR IN PART WITHOUT PRIOR WRITTEN CONSENT OF THERMO FISHER SCIENTIFIC. DO NOT SCALE THIS DRAWING.</p>												
<p>TITLE REFRIGERATOR SOLID SS DOOR 49 CuFt</p>													
<table border="1" style="width: 100%; border-collapse: collapse;"> <tr> <td style="width: 10%; text-align: center;">-</td> <td style="width: 10%; text-align: center;">-</td> <td style="width: 10%; text-align: center;">-</td> <td style="width: 70%; text-align: center;">SEE SHEET 1</td> </tr> <tr> <td style="text-align: center;">REV.</td> <td style="text-align: center;">ECN #</td> <td style="text-align: center;">DATE</td> <td style="text-align: center;">DESCRIPTION</td> </tr> <tr> <td colspan="4" style="text-align: center;">REVISIONS</td> </tr> </table>	-	-	-	SEE SHEET 1	REV.	ECN #	DATE	DESCRIPTION	REVISIONS				<p>3rd ANGLE PROJECTION DWG. NO. MR49PA-SARE</p> <p>SIZE S SHEET 2 OF 2</p>
-	-	-	SEE SHEET 1										
REV.	ECN #	DATE	DESCRIPTION										
REVISIONS													



ThermoFisher
SCIENTIFIC
 275 AIKEN ROAD
 ASHEVILLE, NC 28804

THE INFORMATION CONTAINED HEREIN IS THE PROPRIETARY DATA OF THERMO FISHER SCIENTIFIC. IT IS NOT TO BE REPRODUCED OR DISCLOSED IN WHOLE OR IN PART WITHOUT PRIOR WRITTEN CONSENT OF THERMO FISHER SCIENTIFIC. DO NOT SCALE THIS DRAWING.

TITLE **REFRIGERATOR
 SOLID DOOR, 49 CuFt**

REV.	ECN #	DATE	DESCRIPTION
-	60088	2011-04-05	INITIAL RELEASE
REVISIONS			

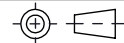
3rd ANGLE PROJECTION

SIZE **S** SHEET 1 OF 2

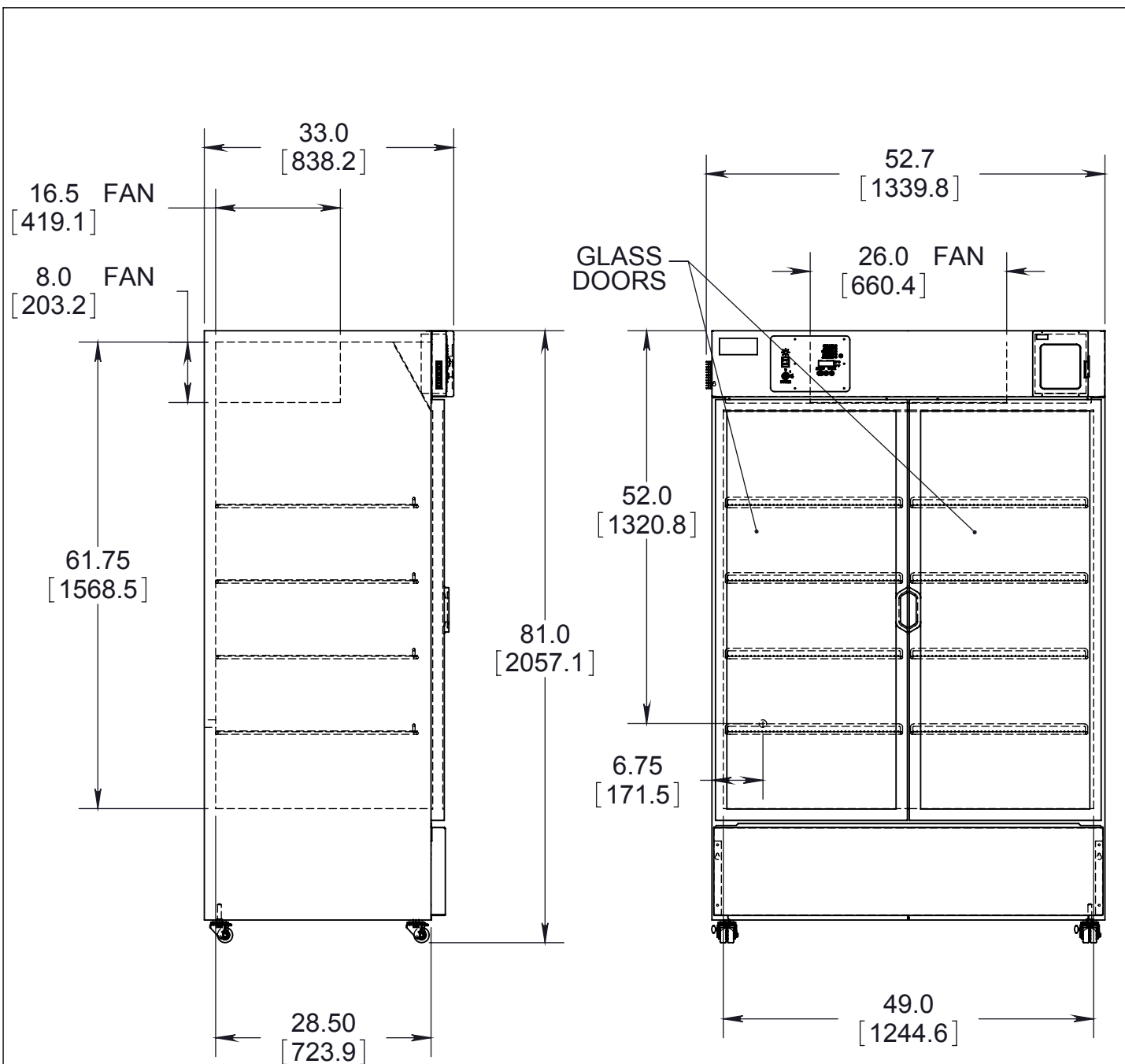
DWG. NO. **MR49PA-SAAE**

GENERAL SPECIFICATIONS

1. EXTERIOR FINISH: PAINTED WHITE
2. EXTERIOR DIMENSION:
WIDTH 1339.8mm(52.7") DEPTH 857.3mm(33.75") HEIGHT 2057.1mm(81")
3. INTERIOR FINISH: PAINTED WHITE
4. INTERIOR DIMENSION:
WIDTH 1244.6mm(49") DEPTH 723.9mm(28.5") HEIGHT 1568.5mm(61.75")
5. INSULATION: FOAMED-IN-PLACE, CFC AND HCFC-FREE POLYURETHANE
6. GASKET: MAGNETIC
7. DOOR: SOLID STAINLESS STEEL DOUBLE DOOR, KEY LOCK
8. SHELVES:WHITE-8 WIRE, EPOXY COATED, ADJUSTABLE IN 1/2" INCREMENTS
9. CASTERS: 4 STEM MOUNT
10. CONTROLLER: DIGITAL, FACTORY SET TO 4°C (39°F)
11. DEFROST: N/A
12. COMPRESSOR:1/3 HP, REFRIGERANT R 134A
13. ELECTRICAL DATA: 115V 60Hz / 8.8 AMPS
14. PLUG TYPE: NEMA 5-15P
15. TOTAL CAPACITY: 49 Cu.ft
16. TEMPERATURE RANGE: 1 TO 12°C
17. AVERAGE TEMPERATURE STABILITY: ± 3 °C
18. APPROVALS: UL/cUL
19. SHIPPING WEIGHT: 271KG (597 LBS).

ThermoFisher S C I E N T I F I C 275 AIKEN ROAD ASHEVILLE, NC 28804		THE INFORMATION CONTAINED HEREIN IS THE PROPRIETARY DATA OF THERMO FISHER SCIENTIFIC. IT IS NOT TO BE REPRODUCED OR DISCLOSED IN WHOLE OR IN PART WITHOUT PRIOR WRITTEN CONSENT OF THERMO FISHER SCIENTIFIC. DO NOT SCALE THIS DRAWING.
TITLE REFRIGERATOR SOLID DOOR, 49 CuFt		
3rd ANGLE PROJECTION 		DWG. NO.
SIZE S	SHEET 2 OF 2	MR49PA-SAAE

REV.	ECN#	DATE	DESCRIPTION
-	-	-	SEE SHEET 1
REVISIONS			

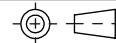


ThermoFisher
SCIENTIFIC
 275 AIKEN ROAD
 ASHEVILLE, NC 28804

THE INFORMATION CONTAINED HEREIN IS THE PROPRIETARY DATA OF THERMO FISHER SCIENTIFIC. IT IS NOT TO BE REPRODUCED OR DISCLOSED IN WHOLE OR IN PART WITHOUT PRIOR WRITTEN CONSENT OF THERMO FISHER SCIENTIFIC. DO NOT SCALE THIS DRAWING.

TITLE **REFRIGERATOR
 GLASS DOOR, 49 CuFt**

REV.	ECN #	DATE	DESCRIPTION
-	60088	2011-04-05	INITIAL RELEASE
REVISIONS			

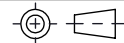
3rd ANGLE PROJECTION 

SIZE **S** SHEET 1 OF 2

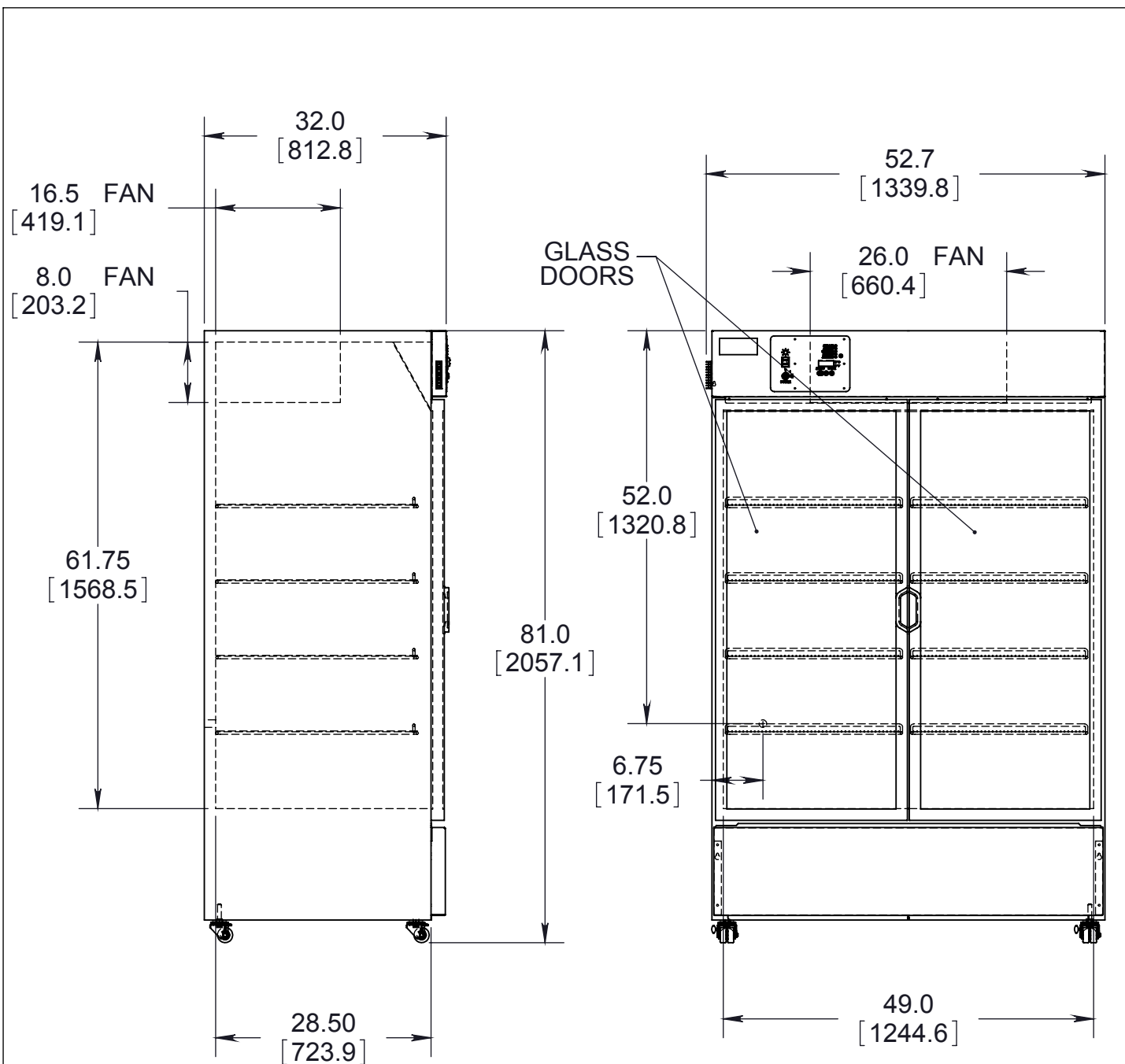
DWG. NO. **MR49PA-GARE**

GENERAL SPECIFICATIONS

1. EXTERIOR FINISH: PAINTED WHITE
2. EXTERIOR DIMENSION:
WIDTH 1339.8mm(52.7") DEPTH 838.2mm(33") HEIGHT 2057.1mm(81")
3. INTERIOR FINISH: PAINTED WHITE
4. INTERIOR DIMENSION:
WIDTH 1244.6mm(49") DEPTH 723.9mm(28.5") HEIGHT 1568.5mm(61.75")
5. INSULATION: FOAMED-IN-PLACE, CFC AND HCFC-FREE POLYURETHANE
6. GASKET: MAGNETIC
7. DOOR: DOUBLE PANE, TEMPERED GLASS DOUBLE DOOR, KEY LOCK
8. SHELVES: WHITE-8 WIRE, EPOXY COATED, ADJUSTABLE IN 1/2" INCREMENTS
9. CASTERS: 4 STEM MOUNT
10. CONTROLLER: DIGITAL, FACTORY SET TO 4°C (39°F)
11. DEFROST: N/A
12. COMPRESSOR: 1/3 HP, REFRIGERANT R 134A
13. ELECTRICAL DATA: 115V 60Hz / 8.8 AMPS
14. PLUG TYPE: NEMA 5-15P
15. TOTAL CAPACITY: 49 Cu.ft
16. TEMPERATURE RANGE: 1 TO 12°C
17. AVERAGE TEMPERATURE STABILITY: ± 3 °C
18. APPROVALS: UL/cUL
19. SHIPPING WEIGHT: 271KG (597 LBS).

ThermoFisher SCIENTIFIC 275 AIKEN ROAD ASHEVILLE, NC 28804		THE INFORMATION CONTAINED HEREIN IS THE PROPRIETARY DATA OF THERMO FISHER SCIENTIFIC. IT IS NOT TO BE REPRODUCED OR DISCLOSED IN WHOLE OR IN PART WITHOUT PRIOR WRITTEN CONSENT OF THERMO FISHER SCIENTIFIC. DO NOT SCALE THIS DRAWING.
TITLE REFRIGERATOR GLASS DOOR, 49 CuFt		
3rd ANGLE PROJECTION 		DWG. NO.
SIZE S	SHEET 2 OF 2	MR49PA-GARE

REV.	ECN#	DATE	DESCRIPTION
-	-	-	SEE SHEET 1
REVISIONS			



ThermoFisher
SCIENTIFIC
 275 AIKEN ROAD
 ASHEVILLE, NC 28804

THE INFORMATION CONTAINED HEREIN IS THE PROPRIETARY DATA OF THERMO FISHER SCIENTIFIC. IT IS NOT TO BE REPRODUCED OR DISCLOSED IN WHOLE OR IN PART WITHOUT PRIOR WRITTEN CONSENT OF THERMO FISHER SCIENTIFIC. DO NOT SCALE THIS DRAWING.

TITLE **REFRIGERATOR
 GLASS DOOR, 49 CuFt**

REV.	ECN #	DATE	DESCRIPTION
-	60088	2011-04-05	INITIAL RELEASE
REVISIONS			

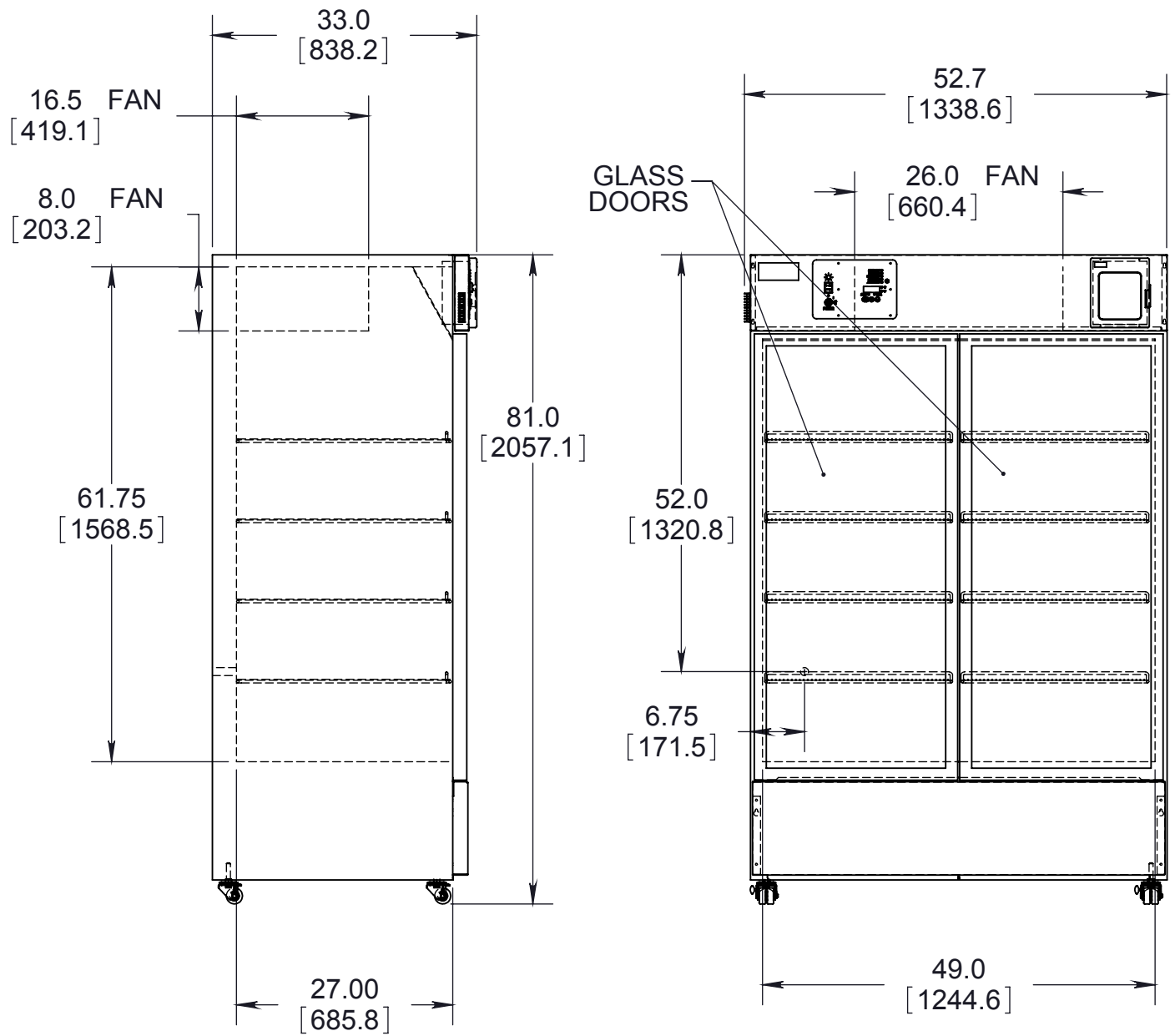
3rd ANGLE PROJECTION	DWG. NO.
SIZE S	MR49PA-GAEE
SHEET 1 OF 2	

GENERAL SPECIFICATIONS

1. EXTERIOR FINISH: PAINTED WHITE
2. EXTERIOR DIMENSION:
WIDTH 1339.8mm(52.7") DEPTH 812.8mm(32") HEIGHT 2057.1mm(81")
3. INTERIOR FINISH: PAINTED WHITE
4. INTERIOR DIMENSION:
WIDTH 1244.6mm(49") DEPTH 723.9mm(28.5") HEIGHT 1568.5mm(61.75")
5. INSULATION: FOAMED-IN-PLACE, CFC AND HCFC-FREE POLYURETHANE
6. GASKET: MAGNETIC
7. DOOR: DOUBLE PANE, TEMPERED GLASS DOUBLE DOOR, KEY LOCK
8. SHELVES: WHITE-8 WIRE, EPOXY COATED, ADJUSTABLE IN 1/2" INCREMENTS
9. CASTERS: 4 STEM MOUNT
10. CONTROLLER: DIGITAL, FACTORY SET TO 4°C (39°F)
11. DEFROST: N/A
12. COMPRESSOR: 1/3 HP, REFRIGERANT R 134A
13. ELECTRICAL DATA: 115V 60Hz / 8.8 AMPS
14. PLUG TYPE: NEMA 5-15P
15. TOTAL CAPACITY: 49 Cu.ft
16. TEMPERATURE RANGE: 1 TO 12°C
17. AVERAGE TEMPERATURE STABILITY: ± 3 °C
18. APPROVALS: UL/cUL
19. SHIPPING WEIGHT: 271KG (597 LBS).

ThermoFisher S C I E N T I F I C 275 AIKEN ROAD ASHEVILLE, NC 28804		THE INFORMATION CONTAINED HEREIN IS THE PROPRIETARY DATA OF THERMO FISHER SCIENTIFIC. IT IS NOT TO BE REPRODUCED OR DISCLOSED IN WHOLE OR IN PART WITHOUT PRIOR WRITTEN CONSENT OF THERMO FISHER SCIENTIFIC. DO NOT SCALE THIS DRAWING.
TITLE REFRIGERATOR GLASS DOOR, 49 CuFt		
3rd ANGLE PROJECTION		DWG. NO. MR49PA-GAEE
SIZE S	SHEET 2 OF 2	

REV.	ECN#	DATE	DESCRIPTION
-	-	-	SEE SHEET 1
REVISIONS			



ThermoFisher
SCIENTIFIC
 275 AIKEN ROAD
 ASHEVILLE, NC 28804

THE INFORMATION CONTAINED HEREIN IS THE PROPRIETARY DATA OF THERMO FISHER SCIENTIFIC. IT IS NOT TO BE REPRODUCED OR DISCLOSED IN WHOLE OR IN PART WITHOUT PRIOR WRITTEN CONSENT OF THERMO FISHER SCIENTIFIC. DO NOT SCALE THIS DRAWING.

TITLE **REFRIGERATOR
 GLASS DOOR,45 CuFt**

REV.	ECN #	DATE	DESCRIPTION
-	60088	2011-04-05	INITIAL RELEASE
REVISIONS			

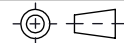
3rd ANGLE PROJECTION

SIZE **S** SHEET 1 OF 2

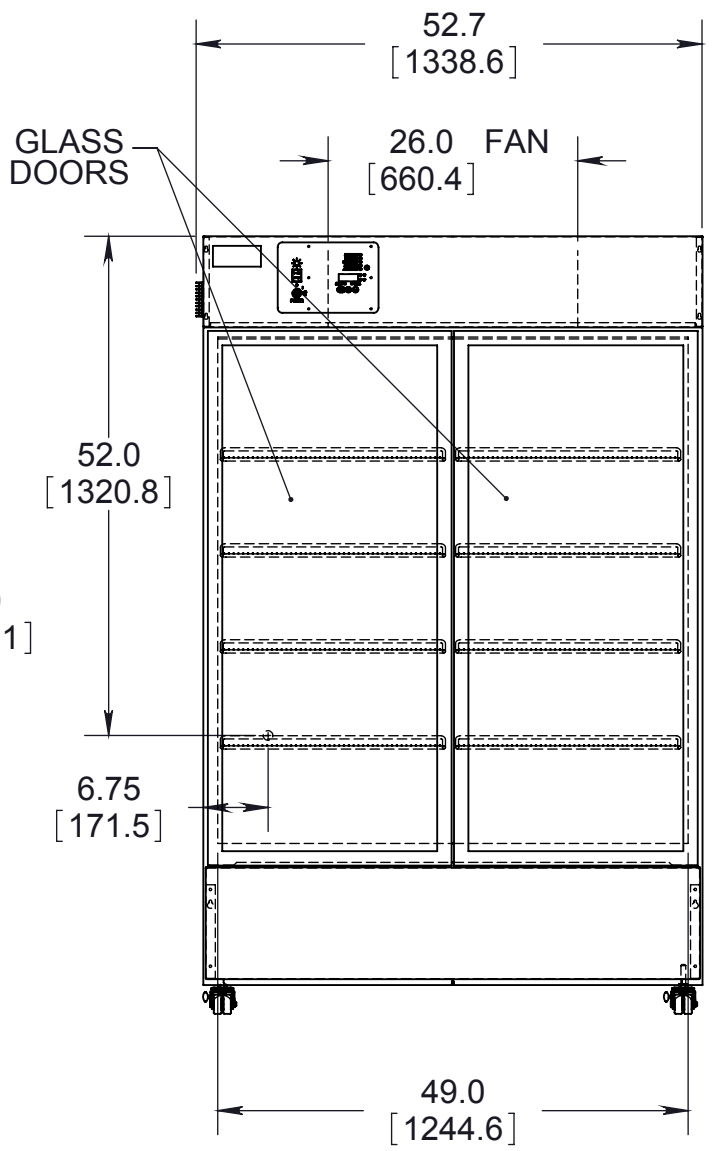
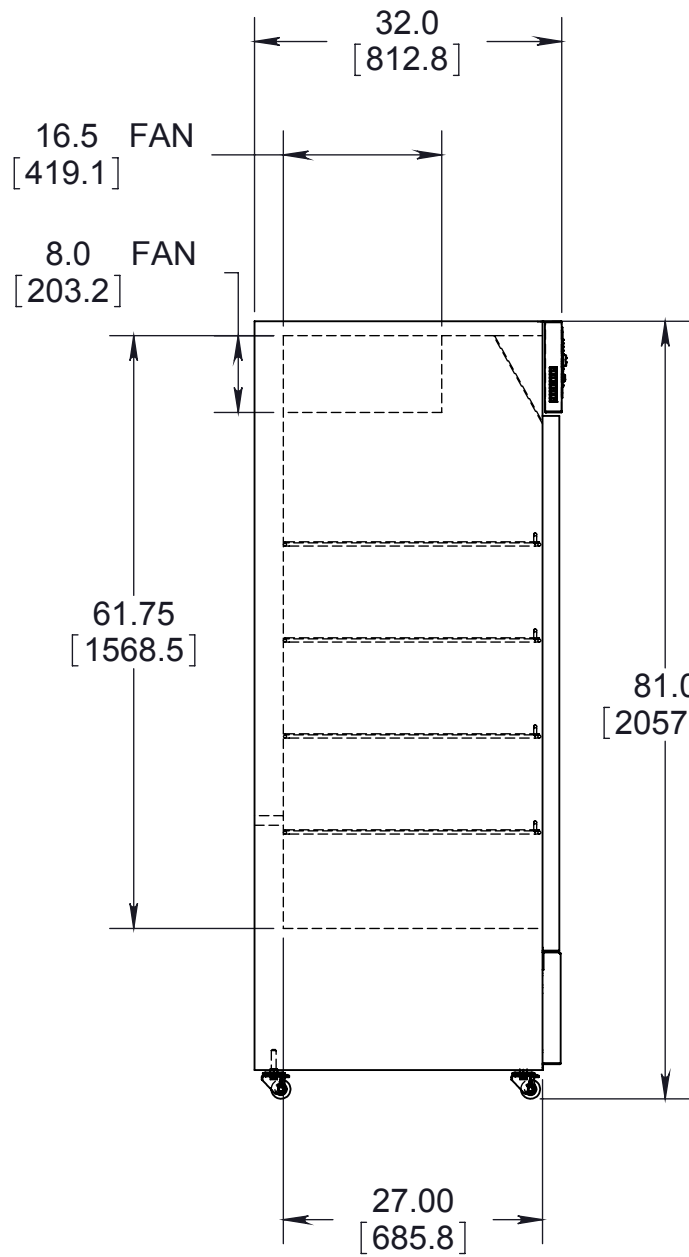
DWG. NO. **MR45SS-GARE**

GENERAL SPECIFICATIONS

1. EXTERIOR FINISH: STAINLESS STEEL FRONT, PAINTED GRAY SIDES
2. EXTERIOR DIMENSION:
WIDTH 1338.6mm(52.7") DEPTH 838.2mm(33") HEIGHT 2057.1mm(81")
3. INTERIOR FINISH: STAINLESS STEEL
4. INTERIOR DIMENSION:
WIDTH 1244.6mm(49") DEPTH 685.8mm(27") HEIGHT 1568.5mm(61.75")
5. INSULATION: FOAMED-IN-PLACE, CFC AND HCFC-FREE POLYURETHANE
6. DOOR: DOUBLE PANE, TEMPERED GLASS, SLIDING GLASS DOUBLE DOOR, KEY LOCK
7. SHELVES:GRAY-8 WIRE, EPOXY COATED, ADJUSTABLE IN 1/2" INCREMENTS
8. CASTERS: 4 STEM MOUNT
9. CONTROLLER: DIGITAL, FACTORY SET TO 4°C (39°F)
10. DEFROST: N/A
11. COMPRESSOR:1/3 HP, REFRIGERANT R 134A
12. ELECTRICAL DATA: 115V 60Hz / 8.8 AMPS
13. PLUG TYPE: NEMA 5-15P
14. TOTAL CAPACITY: 45 Cu.ft
15. TEMPERATURE RANGE: 1 TO 12°C
16. AVERAGE TEMPERATURE STABILITY: ± 3 °C
17. APPROVALS: UL/cUL
18. SHIPPING WEIGHT: 255KG (561 LBS).

ThermoFisher S C I E N T I F I C 275 AIKEN ROAD ASHEVILLE, NC 28804		THE INFORMATION CONTAINED HEREIN IS THE PROPRIETARY DATA OF THERMO FISHER SCIENTIFIC. IT IS NOT TO BE REPRODUCED OR DISCLOSED IN WHOLE OR IN PART WITHOUT PRIOR WRITTEN CONSENT OF THERMO FISHER SCIENTIFIC. DO NOT SCALE THIS DRAWING.
TITLE REFRIGERATOR GLASS DOOR,45 CuFt		
3rd ANGLE PROJECTION 	DWG. NO. MR45SS-GARE	
SIZE S	SHEET 2 OF 2	

REV.	ECN#	DATE	DESCRIPTION
-	-	-	SEE SHEET 1
REVISIONS			



ThermoFisher
SCIENTIFIC
 275 AIKEN ROAD
 ASHEVILLE, NC 28804

THE INFORMATION CONTAINED HEREIN IS THE PROPRIETARY DATA OF THERMO FISHER SCIENTIFIC. IT IS NOT TO BE REPRODUCED OR DISCLOSED IN WHOLE OR IN PART WITHOUT PRIOR WRITTEN CONSENT OF THERMO FISHER SCIENTIFIC. DO NOT SCALE THIS DRAWING.

TITLE **REFRIGERATOR
 GLASS DOOR,45 CuFt**

REV.	ECN #	DATE	DESCRIPTION
-	60088	2011-04-05	INITIAL RELEASE
REVISIONS			

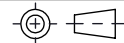
3rd ANGLE PROJECTION

SIZE **S** SHEET 1 OF 2

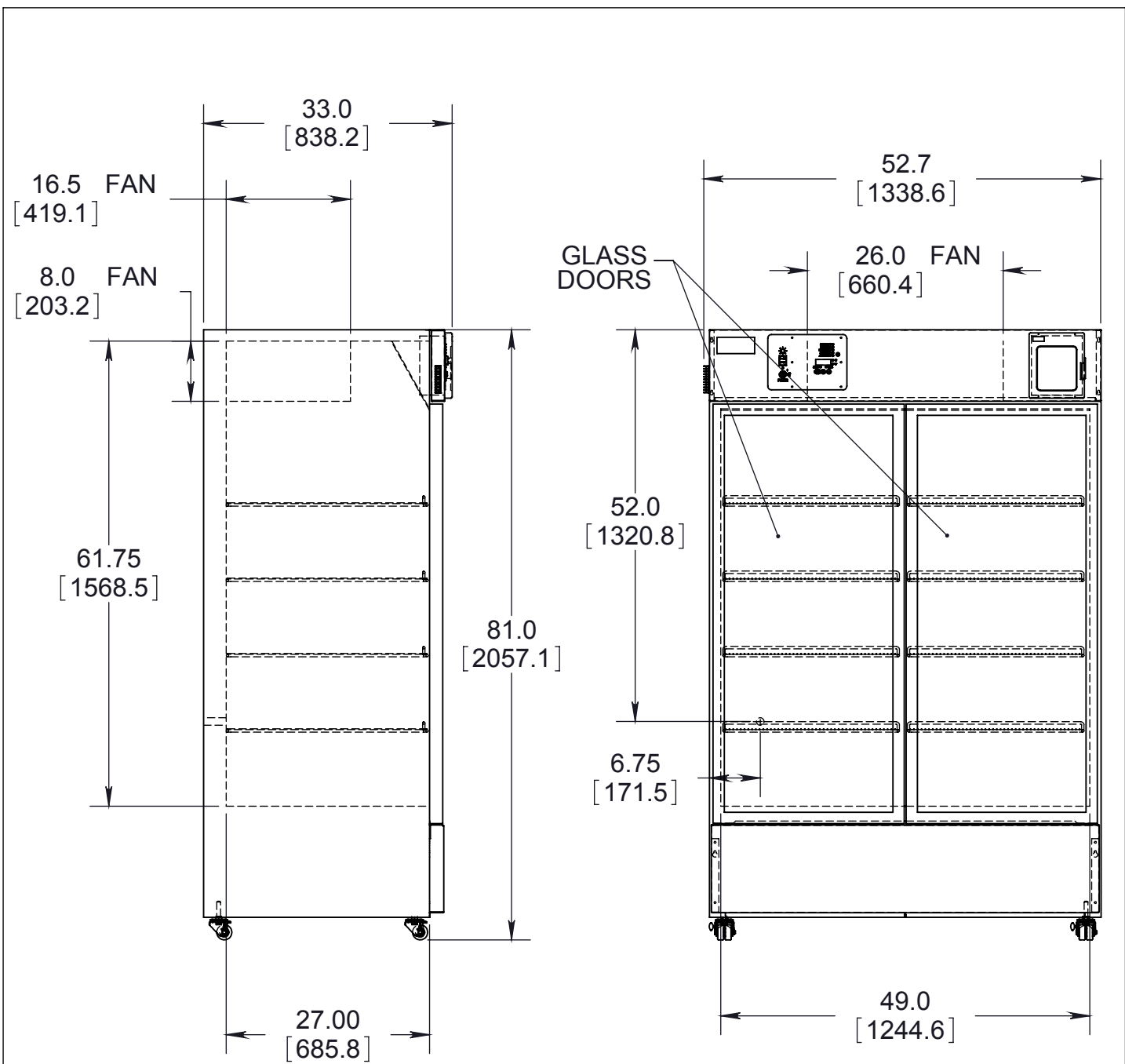
DWG. NO. **MR45SS-GAEE**

GENERAL SPECIFICATIONS

1. EXTERIOR FINISH: STAINLESS STEEL FRONT, PAINTED GRAY SIDES
2. EXTERIOR DIMENSION:
WIDTH 1338.6mm(52.7") DEPTH 812.8mm(32") HEIGHT 2057.1mm(81")
3. INTERIOR FINISH: STAINLESS STEEL
4. INTERIOR DIMENSION:
WIDTH 1244.6mm(49") DEPTH 685.8mm(27") HEIGHT 1568.5mm(61.75")
5. INSULATION: FOAMED-IN-PLACE, CFC AND HCFC-FREE POLYURETHANE
6. DOOR: DOUBLE PANE, TEMPERED GLASS, SLIDING GLASS DOUBLE DOOR, KEY LOCK
7. SHELVES: GRAY-8 WIRE, EPOXY COATED, ADJUSTABLE IN 1/2" INCREMENTS
8. CASTERS: 4 STEM MOUNT
9. CONTROLLER: DIGITAL, FACTORY SET TO 4°C (39°F)
10. DEFROST: N/A
11. COMPRESSOR: 1/3 HP, REFRIGERANT R 134A
12. ELECTRICAL DATA: 115V 60Hz / 8.8 AMPS
13. PLUG TYPE: NEMA 5-15P
14. TOTAL CAPACITY: 45 Cu.ft
15. TEMPERATURE RANGE: 1 TO 12°C
16. AVERAGE TEMPERATURE STABILITY: ± 3 °C
17. APPROVALS: UL/cUL
18. SHIPPING WEIGHT: 255KG (561 LBS).

ThermoFisher SCIENTIFIC 275 AIKEN ROAD ASHEVILLE, NC 28804	THE INFORMATION CONTAINED HEREIN IS THE PROPRIETARY DATA OF THERMO FISHER SCIENTIFIC. IT IS NOT TO BE REPRODUCED OR DISCLOSED IN WHOLE OR IN PART WITHOUT PRIOR WRITTEN CONSENT OF THERMO FISHER SCIENTIFIC. DO NOT SCALE THIS DRAWING.
TITLE REFRIGERATOR GLASS DOOR,45 CuFt	
3rd ANGLE PROJECTION 	DWG. NO. MR45SS-GAEE
SIZE S	SHEET 2 OF 2

REV.	ECN#	DATE	DESCRIPTION
-	-	-	SEE SHEET 1
REVISIONS			



ThermoFisher
SCIENTIFIC
 275 AIKEN ROAD
 ASHEVILLE, NC 28804

THE INFORMATION CONTAINED HEREIN IS THE PROPRIETARY DATA OF THERMO FISHER SCIENTIFIC. IT IS NOT TO BE REPRODUCED OR DISCLOSED IN WHOLE OR IN PART WITHOUT PRIOR WRITTEN CONSENT OF THERMO FISHER SCIENTIFIC. DO NOT SCALE THIS DRAWING.

TITLE **REFRIGERATOR
 GLASS DOOR,45 CuFt**

REV.	ECN #	DATE	DESCRIPTION
-	60088	2011-04-05	INITIAL RELEASE
REVISIONS			

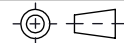
3rd ANGLE PROJECTION

SIZE **S** SHEET 1 OF 2

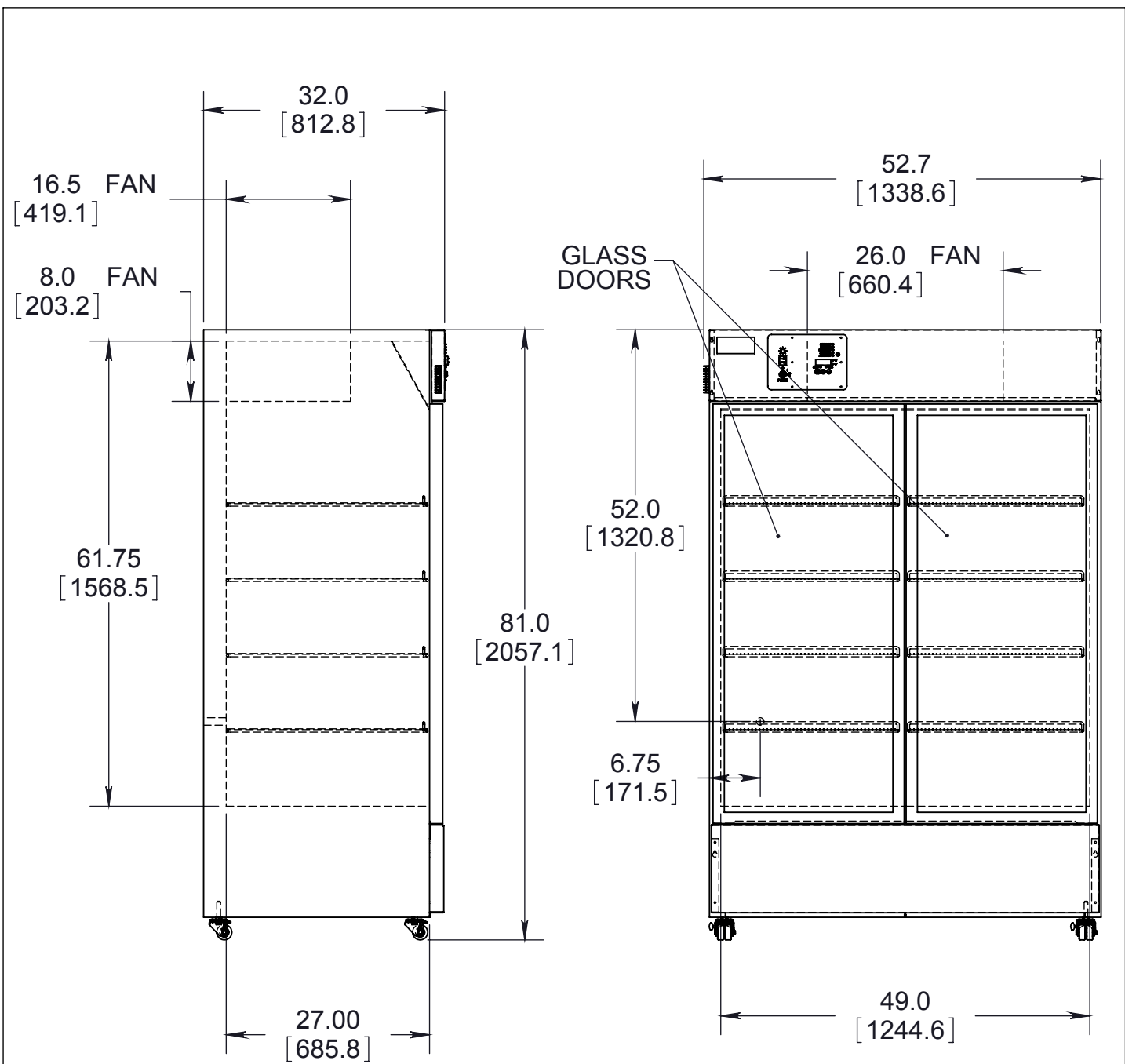
DWG. NO. **MR45PA-GARE**

GENERAL SPECIFICATIONS

1. EXTERIOR FINISH: PAINTED WHITE
2. EXTERIOR DIMENSION:
WIDTH 1338.6mm(52.7") DEPTH 838.2mm(33") HEIGHT 2057.1mm(81")
3. INTERIOR FINISH: PAINTED WHITE
4. INTERIOR DIMENSION:
WIDTH 1244.6mm(49") DEPTH 685.8mm(27") HEIGHT 1568.5mm(61.75")
5. INSULATION: FOAMED-IN-PLACE, CFC AND HCFC-FREE POLYURETHANE
6. DOOR: DOUBLE PANE, TEMPERED GLASS, SLIDING GLASS DOUBLE DOOR, KEY LOCK
7. SHELVES: WHITE-8 WIRE, EPOXY COATED, ADJUSTABLE IN 1/2" INCREMENTS
8. CASTERS: 4 STEM MOUNT
9. CONTROLLER: DIGITAL, FACTORY SET TO 4°C (39°F)
10. DEFROST: N/A
11. COMPRESSOR: 1/3 HP, REFRIGERANT R 134A
12. ELECTRICAL DATA: 115V 60Hz / 8.8 AMPS
13. PLUG TYPE: NEMA 5-15P
14. TOTAL CAPACITY: 45 Cu.ft
15. TEMPERATURE RANGE: 1 TO 12°C
16. AVERAGE TEMPERATURE STABILITY: ± 3 °C
17. APPROVALS: UL/cUL
18. SHIPPING WEIGHT: 255KG (561 LBS).

ThermoFisher SCIENTIFIC 275 AIKEN ROAD ASHEVILLE, NC 28804	THE INFORMATION CONTAINED HEREIN IS THE PROPRIETARY DATA OF THERMO FISHER SCIENTIFIC. IT IS NOT TO BE REPRODUCED OR DISCLOSED IN WHOLE OR IN PART WITHOUT PRIOR WRITTEN CONSENT OF THERMO FISHER SCIENTIFIC. DO NOT SCALE THIS DRAWING.
TITLE REFRIGERATOR GLASS DOOR,45 CuFt	
3rd ANGLE PROJECTION 	DWG. NO.
SIZE S SHEET 2 OF 2	MR45PA-GARE

-	-	-	SEE SHEET 1
REV.	ECN#	DATE	DESCRIPTION
REVISIONS			



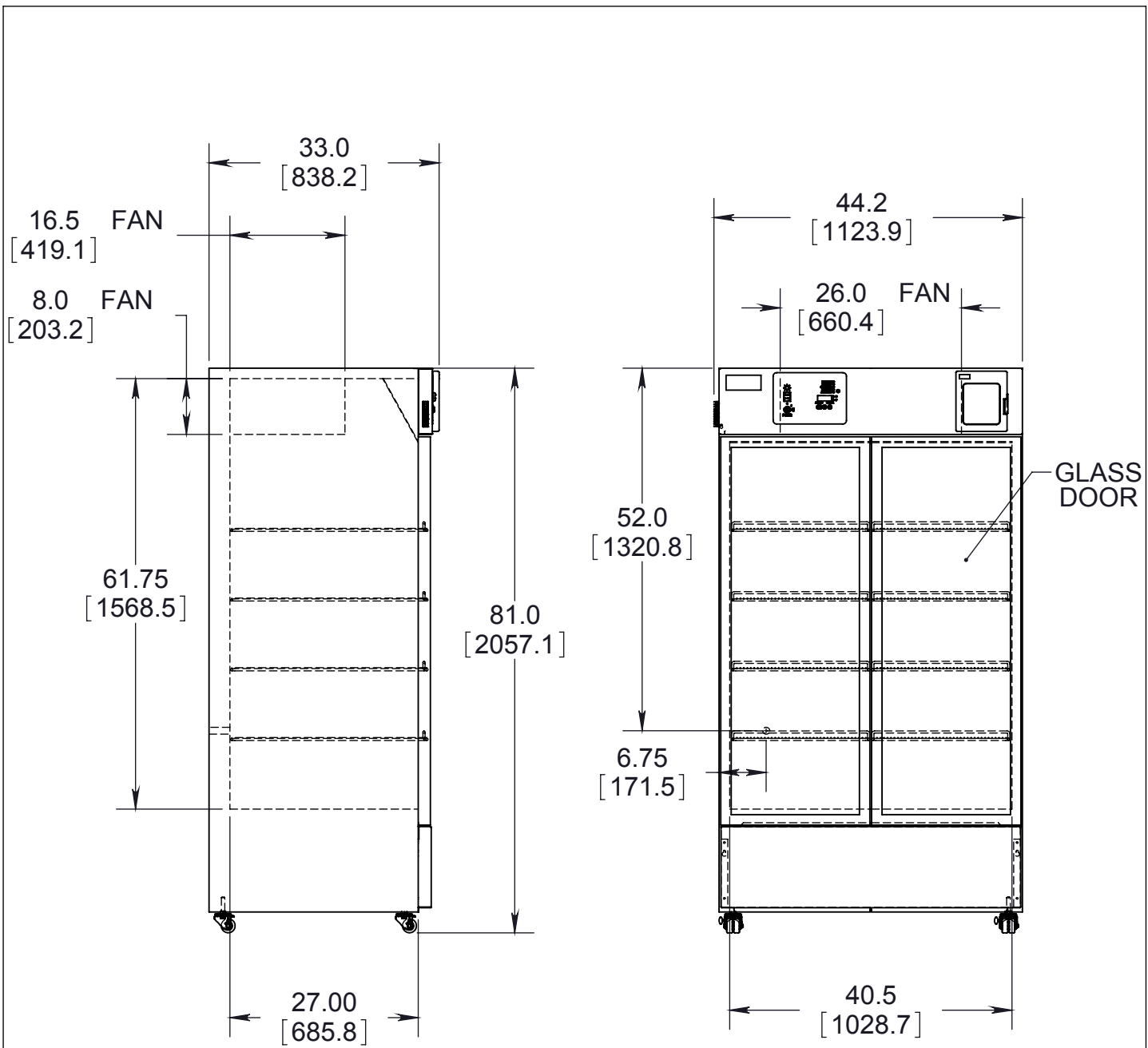
ThermoFisher SCIENTIFIC 275 AIKEN ROAD ASHEVILLE, NC 28804		THE INFORMATION CONTAINED HEREIN IS THE PROPRIETARY DATA OF THERMO FISHER SCIENTIFIC. IT IS NOT TO BE REPRODUCED OR DISCLOSED IN WHOLE OR IN PART WITHOUT PRIOR WRITTEN CONSENT OF THERMO FISHER SCIENTIFIC. DO NOT SCALE THIS DRAWING.
TITLE REFRIGERATOR GLASS DOOR,45 CuFt		
3rd ANGLE PROJECTION		DWG. NO.
SIZE S		MR45PA-GAEE
SHEET 1 OF 2		

REV.	ECN #	DATE	DESCRIPTION
-	60088	2011-04-05	INITIAL RELEASE
REVISIONS			

GENERAL SPECIFICATIONS

1. EXTERIOR FINISH: PAINTED WHITE
2. EXTERIOR DIMENSION:
WIDTH 1338.6mm(52.7") DEPTH 812.8mm(32") HEIGHT 2057.1mm(81")
3. INTERIOR FINISH: PAINTED WHITE
4. INTERIOR DIMENSION:
WIDTH 1244.6mm(49") DEPTH 685.8mm(27") HEIGHT 1568.5mm(61.75")
5. INSULATION: FOAMED-IN-PLACE, CFC AND HCFC-FREE POLYURETHANE
6. DOOR: DOUBLE PANE, TEMPERED GLASS, SLIDING GLASS DOUBLE DOOR, KEY LOCK
7. SHELVES:WHITE-8 WIRE, EPOXY COATED, ADJUSTABLE IN 1/2" INCREMENTS
8. CASTERS: 4 STEM MOUNT
9. CONTROLLER: DIGITAL, FACTORY SET TO 4°C (39°F)
10. DEFROST: N/A
11. COMPRESSOR:1/3 HP, REFRIGERANT R 134A
12. ELECTRICAL DATA: 115V 60Hz / 8.8 AMPS
13. PLUG TYPE: NEMA 5-15P
14. TOTAL CAPACITY: 45 Cu.ft
15. TEMPERATURE RANGE: 1 TO 12°C
16. AVERAGE TEMPERATURE STABILITY: ± 3 °C
17. APPROVALS: UL/cUL
18. SHIPPING WEIGHT: 255KG (561 LBS).

<p>ThermoFisher SCIENTIFIC 275 AIKEN ROAD ASHEVILLE, NC 28804</p>	<p>THE INFORMATION CONTAINED HEREIN IS THE PROPRIETARY DATA OF THERMO FISHER SCIENTIFIC. IT IS NOT TO BE REPRODUCED OR DISCLOSED IN WHOLE OR IN PART WITHOUT PRIOR WRITTEN CONSENT OF THERMO FISHER SCIENTIFIC. DO NOT SCALE THIS DRAWING.</p>																
<p>TITLE REFRIGERATOR GLASS DOOR,45 CuFt</p>																	
<table border="1" style="width: 100%; border-collapse: collapse;"> <tr> <td style="width: 10%; text-align: center;">-</td> <td style="width: 10%; text-align: center;">-</td> <td style="width: 10%; text-align: center;">-</td> <td style="width: 70%;">SEE SHEET 1</td> </tr> <tr> <td style="text-align: center;">REV.</td> <td style="text-align: center;">ECN#</td> <td style="text-align: center;">DATE</td> <td style="text-align: center;">DESCRIPTION</td> </tr> <tr> <td colspan="4" style="text-align: center;">REVISIONS</td> </tr> </table>	-	-	-	SEE SHEET 1	REV.	ECN#	DATE	DESCRIPTION	REVISIONS				<table border="1" style="width: 100%; border-collapse: collapse;"> <tr> <td style="width: 30%; padding: 2px;"> 3rd ANGLE PROJECTION </td> <td style="width: 20%; padding: 2px;"> DWG. NO. MR45PA-GAEE </td> </tr> <tr> <td style="padding: 2px;"> SIZE S </td> <td style="padding: 2px;"> SHEET 2 OF 2 </td> </tr> </table>	3rd ANGLE PROJECTION 	DWG. NO. MR45PA-GAEE	SIZE S	SHEET 2 OF 2
-	-	-	SEE SHEET 1														
REV.	ECN#	DATE	DESCRIPTION														
REVISIONS																	
3rd ANGLE PROJECTION 	DWG. NO. MR45PA-GAEE																
SIZE S	SHEET 2 OF 2																



ThermoFisher
SCIENTIFIC
 275 AIKEN ROAD
 ASHEVILLE, NC 28804

THE INFORMATION CONTAINED HEREIN IS THE PROPRIETARY DATA OF THERMO FISHER SCIENTIFIC. IT IS NOT TO BE REPRODUCED OR DISCLOSED IN WHOLE OR IN PART WITHOUT PRIOR WRITTEN CONSENT OF THERMO FISHER SCIENTIFIC. DO NOT SCALE THIS DRAWING.

TITLE **REFRIGERATOR
 GLASS DOOR
 38 cuFt**

REV.	ECN #	DATE	DESCRIPTION
-	60088	2011-04-06	INITIAL RELEASE
REVISIONS			

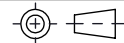
3rd ANGLE PROJECTION 

SIZE **S** SHEET 1 OF 2

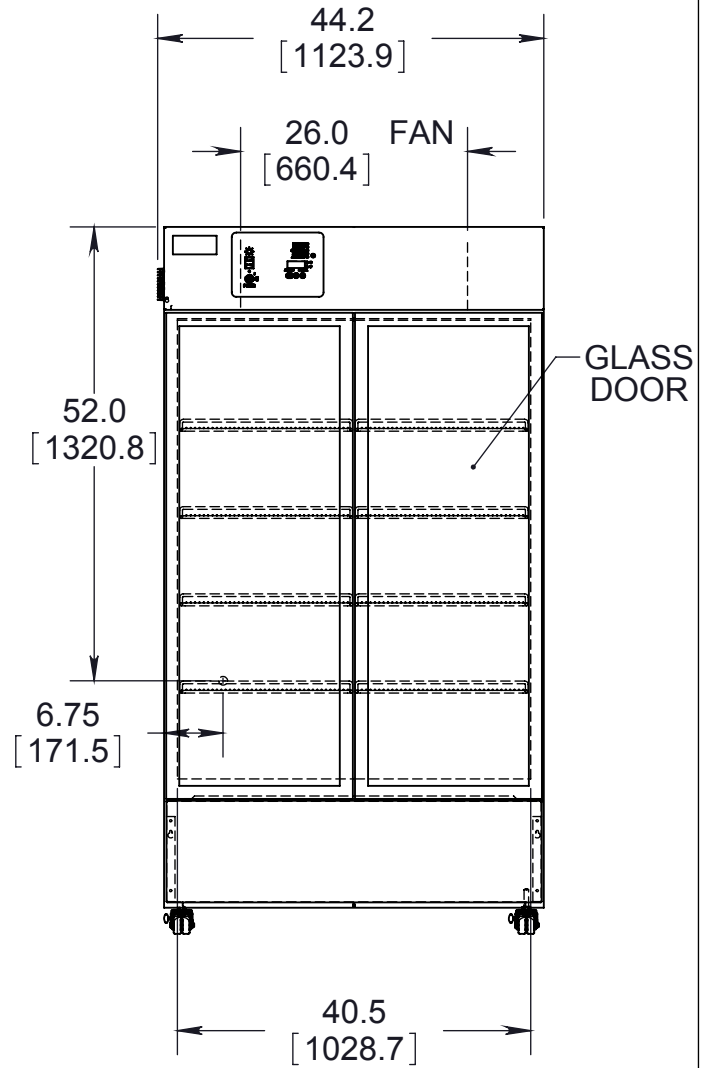
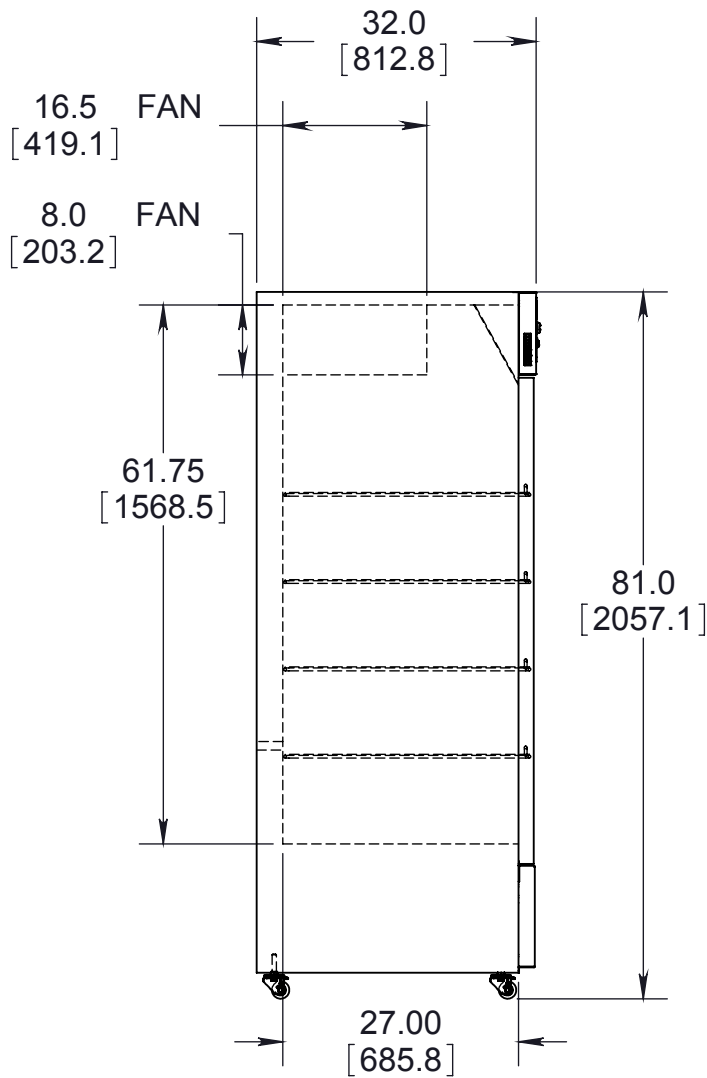
DWG. NO. **MR38PA-GARE**

GENERAL SPECIFICATIONS

1. EXTERIOR: PAINTED WHITE
2. EXTERIOR DIMENSIONS:
WIDTH 1123.9mm(44.2") DEPTH 838.2mm(33") HEIGHT 2057.1mm(81")
3. INTERIOR: PAINTED WHITE
4. INTERIOR DIMENSIONS:
WIDTH 1028.7mm(40.5") DEPTH 685.8mm(27") HEIGHT 1568.5mm(61.75")
5. INSULATION: FOAMED IN PLACE, CFC AND HCFC-FREE POLYURETHANE
6. DOOR: SLIDING DOOR DOUBLE, KEY LOCK, DOUBLE PANE, TEMPERED GLASS
7. SHELVES: WHITE-8 WIRE, EPOXY COATED, ADJUSTABLE IN 1/2" INCREMENTS.
8. CASTERS: 4 STEM MOUNT
9. CONTROLLER: DIGITAL, FACTORY PRESET TO +4°C(39°F)
10. DEFROST: N/A
11. COMPRESSOR: 1/3 HP, REFERIGERANT R 134A
12. TEMPERATURE RANGE: 1 TO 12°C
13. AVERAGE TEMPERATURE STABILITY: ±3°C
14. APPROVALS: UL/cUL
15. ELECTRICAL DATA: 115V 60Hz / 8.8 AMPS
16. PLUG TYPE: NEMA 5-15P
17. TOTAL CAPACITY: 38CuFt
18. SHIPPING WEIGHT: 238KG (524LBS).

ThermoFisher SCIENTIFIC 275 AIKEN ROAD ASHEVILLE, NC 28804	THE INFORMATION CONTAINED HEREIN IS THE PROPRIETARY DATA OF THERMO FISHER SCIENTIFIC. IT IS NOT TO BE REPRODUCED OR DISCLOSED IN WHOLE OR IN PART WITHOUT PRIOR WRITTEN CONSENT OF THERMO FISHER SCIENTIFIC. DO NOT SCALE THIS DRAWING.
TITLE REFRIGERATOR GLASS DOOR 38 cuFt	
3rd ANGLE PROJECTION 	DWG. NO. MR38PA-GARE
SIZE S	SHEET 2 OF 2

REV.	ECN #	DATE	DESCRIPTION
-	-	-	SEE SHEET 1
REVISIONS			



ThermoFisher
SCIENTIFIC
 275 AIKEN ROAD
 ASHEVILLE, NC 28804

THE INFORMATION CONTAINED HEREIN IS THE PROPRIETARY DATA OF THERMO FISHER SCIENTIFIC. IT IS NOT TO BE REPRODUCED OR DISCLOSED IN WHOLE OR IN PART WITHOUT PRIOR WRITTEN CONSENT OF THERMO FISHER SCIENTIFIC. DO NOT SCALE THIS DRAWING.

TITLE **REFRIGERATOR
 GLASS DOOR
 38 cuFt**

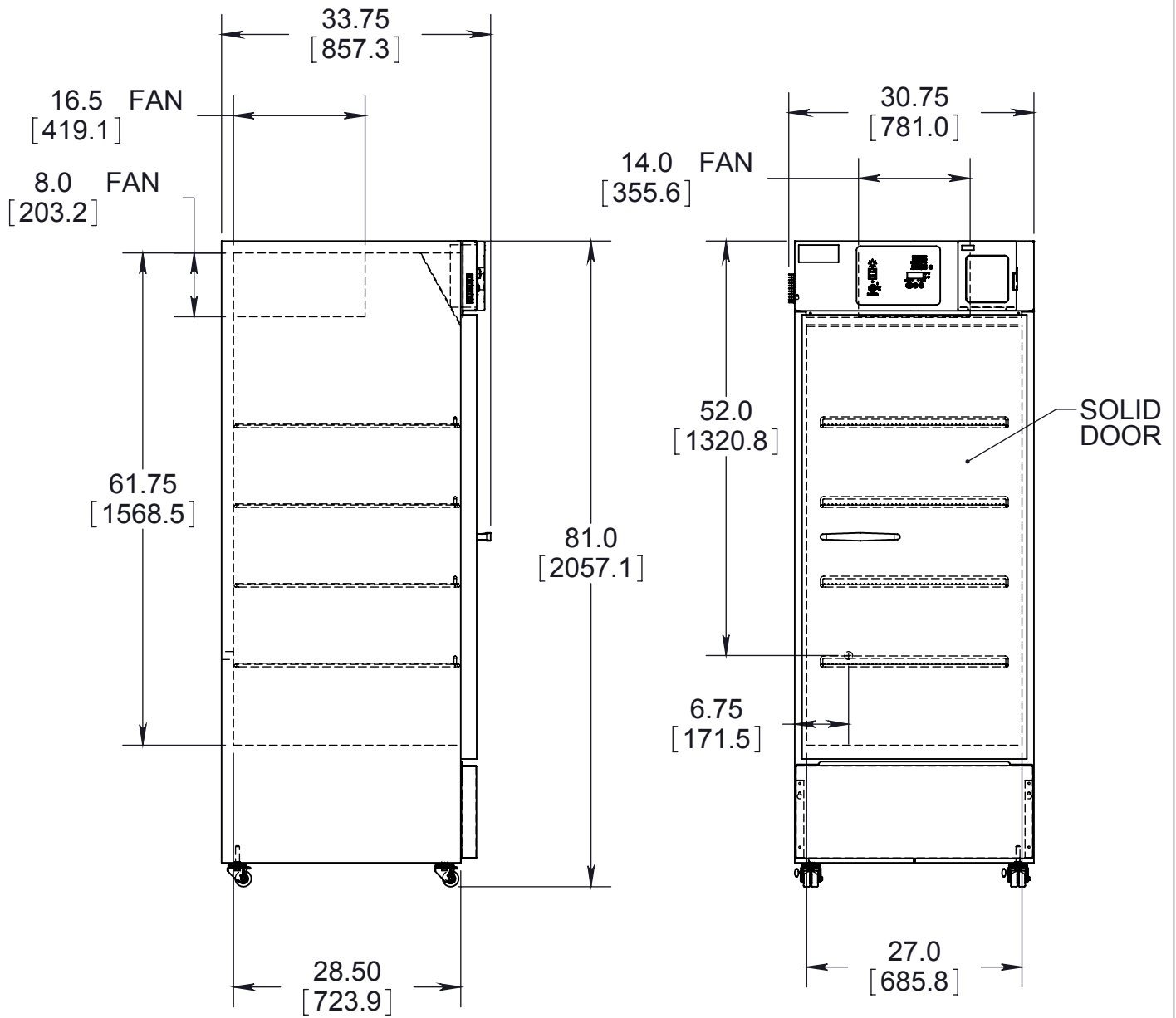
REV.	ECN #	DATE	DESCRIPTION
-	60088	2011-04-06	INITIAL RELEASE
REVISIONS			

3rd ANGLE PROJECTION		DWG. NO.
SIZE S	SHEET 1 OF 2	MR38PA-GAEE

GENERAL SPECIFICATIONS

1. EXTERIOR: PAINTED WHITE
2. EXTERIOR DIMENSIONS:
WIDTH 1123.9mm(44.2") DEPTH 812.80mm(32") HEIGHT 2057.1mm(81")
3. INTERIOR: PAINTED WHITE
4. INTERIOR DIMENSIONS:
WIDTH 1028.7mm(40.5") DEPTH 685.8mm(27") HEIGHT 1568.5mm(61.75")
5. INSULATION: FOAMED IN PLACE, CFC AND HCFC-FREE POLYURETHANE
6. DOOR: SLIDING DOOR DOUBLE, KEY LOCK, DOUBLE PANE, TEMPERED GLASS
7. SHELVES: WHITE-8 WIRE, EPOXY COATED, ADJUSTABLE IN 1/2" INCREMENTS.
8. CASTERS: 4 STEM MOUNT
9. CONTROLLER: DIGITAL, FACTORY PRESET TO +4°C (39°F)
10. DEFROST: N/A
11. COMPRESSOR: 1/3 HP, REFERIGERANT R 134A
12. TEMPERATURE RANGE: 1 TO 12°C
13. AVERAGE TEMPERATURE STABILITY: ±3°C
14. APPROVALS: UL/cUL
15. ELECTRICAL DATA: 115V 60Hz / 8.8 AMPS
16. PLUG TYPE: NEMA 5-15P
17. TOTAL CAPACITY: 38CuFt
18. SHIPPING WEIGHT: 238KG (524LBS).

<p>ThermoFisher SCIENTIFIC 275 AIKEN ROAD ASHEVILLE, NC 28804</p>	<p>THE INFORMATION CONTAINED HEREIN IS THE PROPRIETARY DATA OF THERMO FISHER SCIENTIFIC. IT IS NOT TO BE REPRODUCED OR DISCLOSED IN WHOLE OR IN PART WITHOUT PRIOR WRITTEN CONSENT OF THERMO FISHER SCIENTIFIC. DO NOT SCALE THIS DRAWING.</p>												
<p>TITLE REFRIGERATOR GLASS DOOR 38 cuFt</p>													
<table border="1" style="width: 100%; border-collapse: collapse;"> <tr> <td style="width: 10%; text-align: center;">-</td> <td style="width: 10%; text-align: center;">-</td> <td style="width: 10%; text-align: center;">-</td> <td style="width: 70%; text-align: center;">SEE SHEET 1</td> </tr> <tr> <td style="text-align: center;">REV.</td> <td style="text-align: center;">ECN #</td> <td style="text-align: center;">DATE</td> <td style="text-align: center;">DESCRIPTION</td> </tr> <tr> <td colspan="4" style="text-align: center;">REVISIONS</td> </tr> </table>	-	-	-	SEE SHEET 1	REV.	ECN #	DATE	DESCRIPTION	REVISIONS				<p>3rd ANGLE PROJECTION DWG. NO. MR38PA-GAEE</p> <p>SIZE S SHEET 2 OF 2</p>
-	-	-	SEE SHEET 1										
REV.	ECN #	DATE	DESCRIPTION										
REVISIONS													



ThermoFisher
SCIENTIFIC
 275 AIKEN ROAD
 ASHEVILLE, NC 28804

THE INFORMATION CONTAINED HEREIN IS THE PROPRIETARY DATA OF THERMO FISHER SCIENTIFIC. IT IS NOT TO BE REPRODUCED OR DISCLOSED IN WHOLE OR IN PART WITHOUT PRIOR WRITTEN CONSENT OF THERMO FISHER SCIENTIFIC. DO NOT SCALE THIS DRAWING.

TITLE **REFRIGERATOR
 SOLID DOOR,30 CuFt**

-	60088	2011-04-05	INITIAL RELEASE
REV.	ECN #	DATE	DESCRIPTION
REVISIONS			

3rd ANGLE PROJECTION

SIZE **S** SHEET 1 OF 2

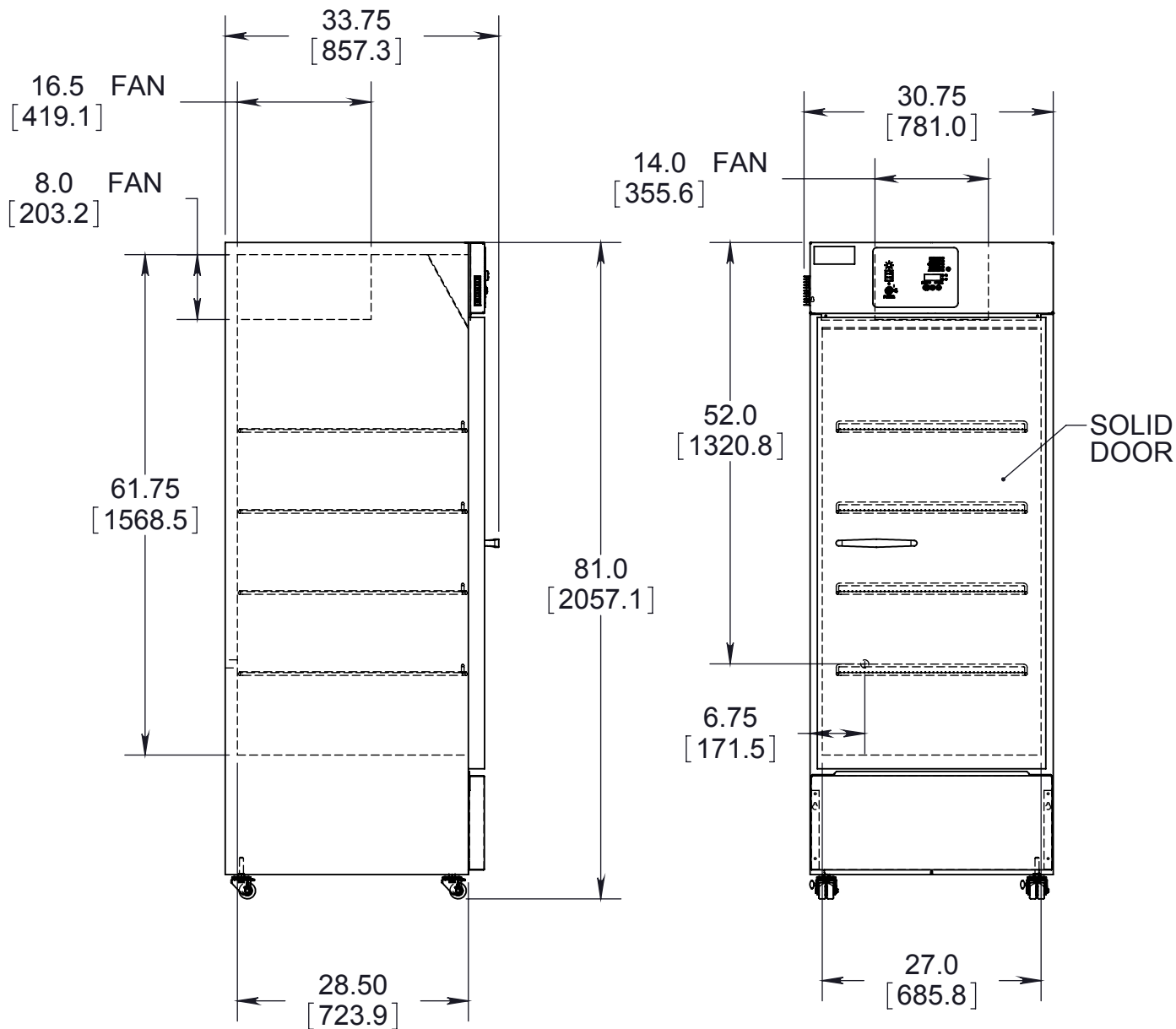
DWG. NO. **MR30SS-SARE**

GENERAL SPECIFICATIONS

1. EXTERIOR FINISH: STAINLESS STEEL FRONT, PAINTED GRAY SIDES
2. EXTERIOR DIMENSIONS:
WIDTH 781.0mm(30.75") DEPTH 857.3mm(33.75") HEIGHT 2057.1mm(81")
3. INTERIOR FINISH: STAINLESS STEEL
4. INTERIOR DIMENSIONS:
WIDTH 685.8mm(27") DEPTH 723.9mm(28.5") HEIGHT 1568.5mm(61.75")
5. INSULATION: FOAMED-IN-PLACE, CFC AND HCFC-FREE POLYURETHANE
6. GASKET: MAGNETIC
7. DOOR: SOLID STAINLESS STEEL SINGLE DOOR, KEY LOCK
8. SHELVES: GRAY-4 WIRE, EPOXY COATED, ADJUSTABLE IN 1/2" INCREMENTS
9. CASTERS: 4 STEM MOUNT
10. CONTROLLER: DIGITAL, FACTORY SET TO 4°C (39°F)
11. DEFROST: N/A
12. COMPRESSOR: 1/3 HP, REFRIGERANT R 134A
13. ELECTRICAL DATA: 115V 60Hz / 5.8 AMPS
14. PLUG TYPE: NEMA 5-15P
15. TOTAL CAPACITY: 27 Cu.ft
16. TEMPERATURE RANGE: 1 TO 12°C
17. AVERAGE TEMPERATURE STABILITY: ± 3 °C
18. APPROVALS: UL/cUL
19. SHIPPING WEIGHT: 175KG (386 LBS).

ThermoFisher S C I E N T I F I C 275 AIKEN ROAD ASHEVILLE, NC 28804		THE INFORMATION CONTAINED HEREIN IS THE PROPRIETARY DATA OF THERMO FISHER SCIENTIFIC. IT IS NOT TO BE REPRODUCED OR DISCLOSED IN WHOLE OR IN PART WITHOUT PRIOR WRITTEN CONSENT OF THERMO FISHER SCIENTIFIC. DO NOT SCALE THIS DRAWING.
TITLE REFRIGERATOR SOLID DOOR,30 CuFt		
3rd ANGLE PROJECTION		DWG. NO. MR30SS-SARE
SIZE S	SHEET 2 OF 2	

REV.	ECN#	DATE	DESCRIPTION
-	-	-	SEE SHEET 1
REVISIONS			



ThermoFisher
SCIENTIFIC
 275 AIKEN ROAD
 ASHEVILLE, NC 28804

THE INFORMATION CONTAINED HEREIN IS THE PROPRIETARY DATA OF THERMO FISHER SCIENTIFIC. IT IS NOT TO BE REPRODUCED OR DISCLOSED IN WHOLE OR IN PART WITHOUT PRIOR WRITTEN CONSENT OF THERMO FISHER SCIENTIFIC. DO NOT SCALE THIS DRAWING.

TITLE **REFRIGERATOR
 SOLID DOOR,30 CuFt**

REV.	ECN #	DATE	DESCRIPTION
-	60088	2011-04-05	INITIAL RELEASE
REVISIONS			

3rd ANGLE PROJECTION 

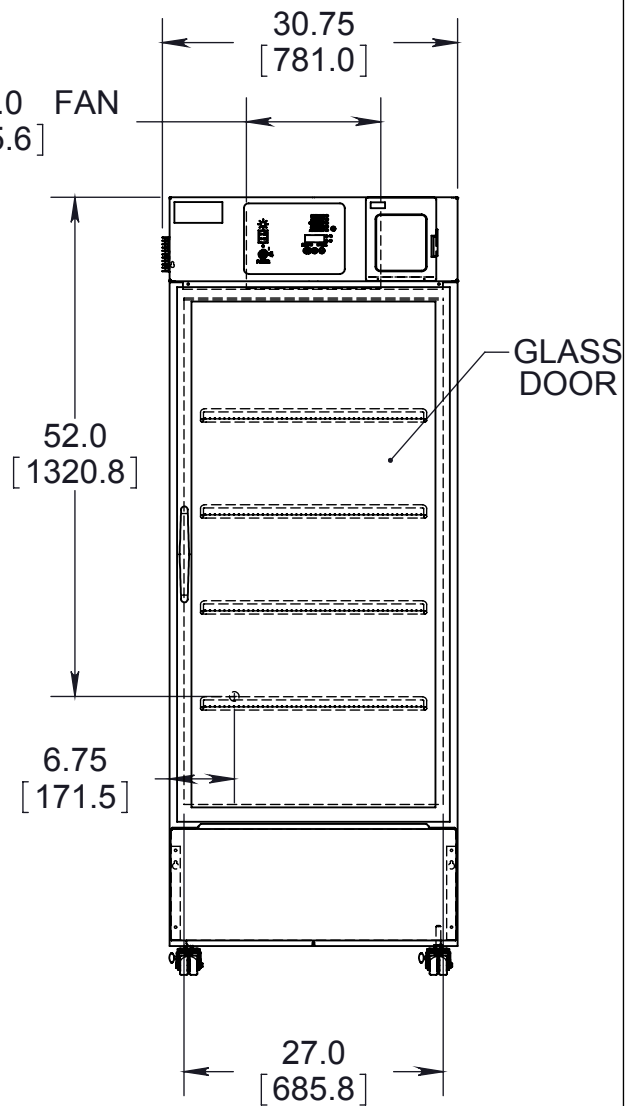
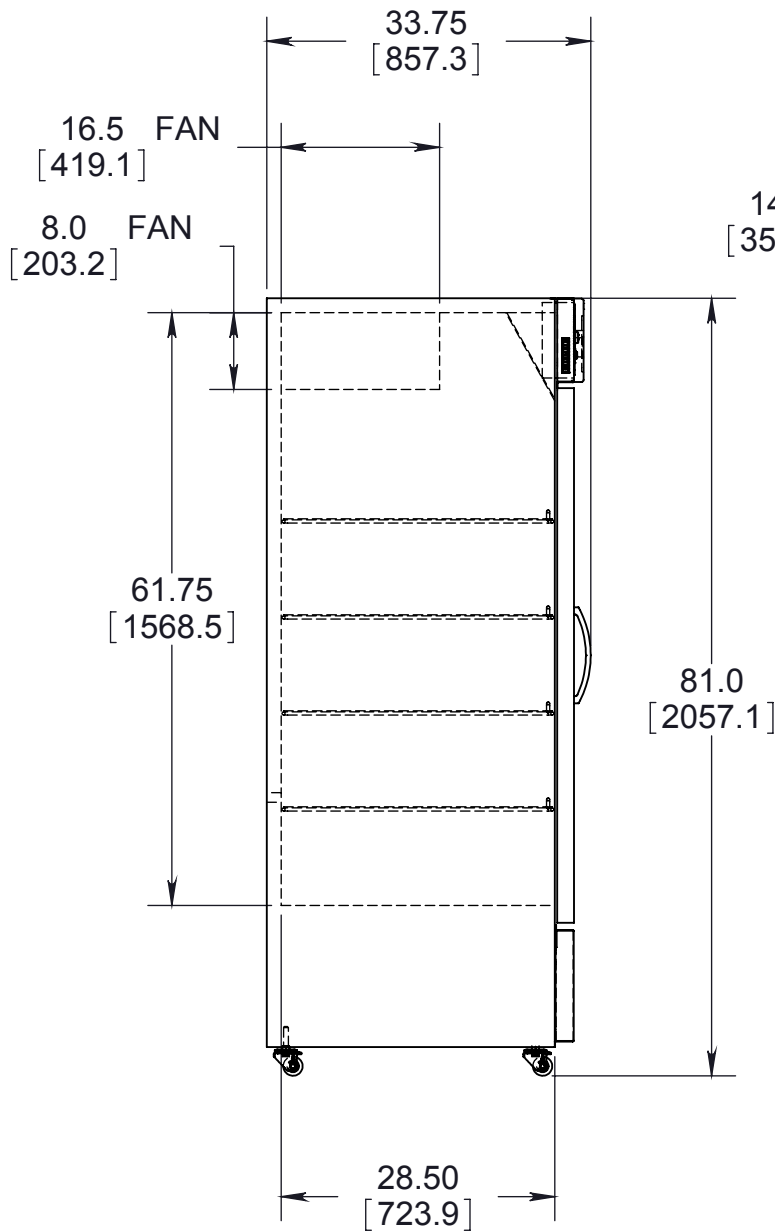
SIZE **S** SHEET 1 OF 2

DWG. NO. **MR30SS-SAAE**

GENERAL SPECIFICATIONS

1. EXTERIOR FINISH: STAINLESS STEEL FRONT, PAINTED GRAY SIDES
2. EXTERIOR DIMENSIONS:
WIDTH 781.0mm(30.75") DEPTH 857.3mm(33.75") HEIGHT 2057.1mm(81")
3. INTERIOR FINISH: STAINLESS STEEL
4. INTERIOR DIMENSIONS:
WIDTH 685.8mm(27") DEPTH 723.9mm(28.5") HEIGHT 1568.5mm(61.75")
5. INSULATION: FOAMED-IN-PLACE, CFC AND HCFC-FREE POLYURETHANE
6. GASKET: MAGNETIC
7. DOOR: SOLID STAINLESS STEEL SINGLE DOOR, KEY LOCK
8. SHELVES: GRAY-4 WIRE, EPOXY COATED, ADJUSTABLE IN 1/2" INCREMENTS
9. CASTERS: 4 STEM MOUNT
10. CONTROLLER: DIGITAL, FACTORY SET TO 4°C (39°F)
11. DEFROST: N/A
12. COMPRESSOR:1/3 HP, REFRIGERANT R 134A
13. ELECTRICAL DATA: 115V 60Hz / 5.8 AMPS
14. PLUG TYPE: NEMA 5-15P
15. TOTAL CAPACITY: 27 Cu.ft
16. TEMPERATURE RANGE: 1 TO 12°C
17. AVERAGE TEMPERATURE STABILITY: ± 3 °C
18. APPROVALS: UL/cUL
19. SHIPPING WEIGHT: 175KG (386 LBS).

<p>ThermoFisher SCIENTIFIC 275 AIKEN ROAD ASHEVILLE, NC 28804</p>	THE INFORMATION CONTAINED HEREIN IS THE PROPRIETARY DATA OF THERMO FISHER SCIENTIFIC. IT IS NOT TO BE REPRODUCED OR DISCLOSED IN WHOLE OR IN PART WITHOUT PRIOR WRITTEN CONSENT OF THERMO FISHER SCIENTIFIC. DO NOT SCALE THIS DRAWING.																
<p>TITLE REFRIGERATOR SOLID DOOR,30 CuFt</p>																	
<table border="1" style="width: 100%; border-collapse: collapse;"> <tr> <td style="width: 10%; text-align: center;">-</td> <td style="width: 10%; text-align: center;">-</td> <td style="width: 10%; text-align: center;">-</td> <td style="width: 70%;">SEE SHEET 1</td> </tr> <tr> <td style="text-align: center;">REV.</td> <td style="text-align: center;">ECN#</td> <td style="text-align: center;">DATE</td> <td style="text-align: center;">DESCRIPTION</td> </tr> <tr> <td colspan="4" style="text-align: center;">REVISIONS</td> </tr> </table>	-	-	-	SEE SHEET 1	REV.	ECN#	DATE	DESCRIPTION	REVISIONS				<table border="1" style="width: 100%; border-collapse: collapse;"> <tr> <td style="width: 30%; padding: 2px;"> 3rd ANGLE PROJECTION </td> <td style="width: 20%; padding: 2px;"> DWG. NO. MR30SS-SAE </td> </tr> <tr> <td style="padding: 2px;"> SIZE S </td> <td style="padding: 2px;"> SHEET 2 OF 2 </td> </tr> </table>	3rd ANGLE PROJECTION 	DWG. NO. MR30SS-SAE	SIZE S	SHEET 2 OF 2
-	-	-	SEE SHEET 1														
REV.	ECN#	DATE	DESCRIPTION														
REVISIONS																	
3rd ANGLE PROJECTION 	DWG. NO. MR30SS-SAE																
SIZE S	SHEET 2 OF 2																



ThermoFisher
SCIENTIFIC
 275 AIKEN ROAD
 ASHEVILLE, NC 28804

THE INFORMATION CONTAINED HEREIN IS THE PROPRIETARY DATA OF THERMO FISHER SCIENTIFIC. IT IS NOT TO BE REPRODUCED OR DISCLOSED IN WHOLE OR IN PART WITHOUT PRIOR WRITTEN CONSENT OF THERMO FISHER SCIENTIFIC. DO NOT SCALE THIS DRAWING.

TITLE **REFRIGERATOR
 GLASS DOOR,30 CuFt**

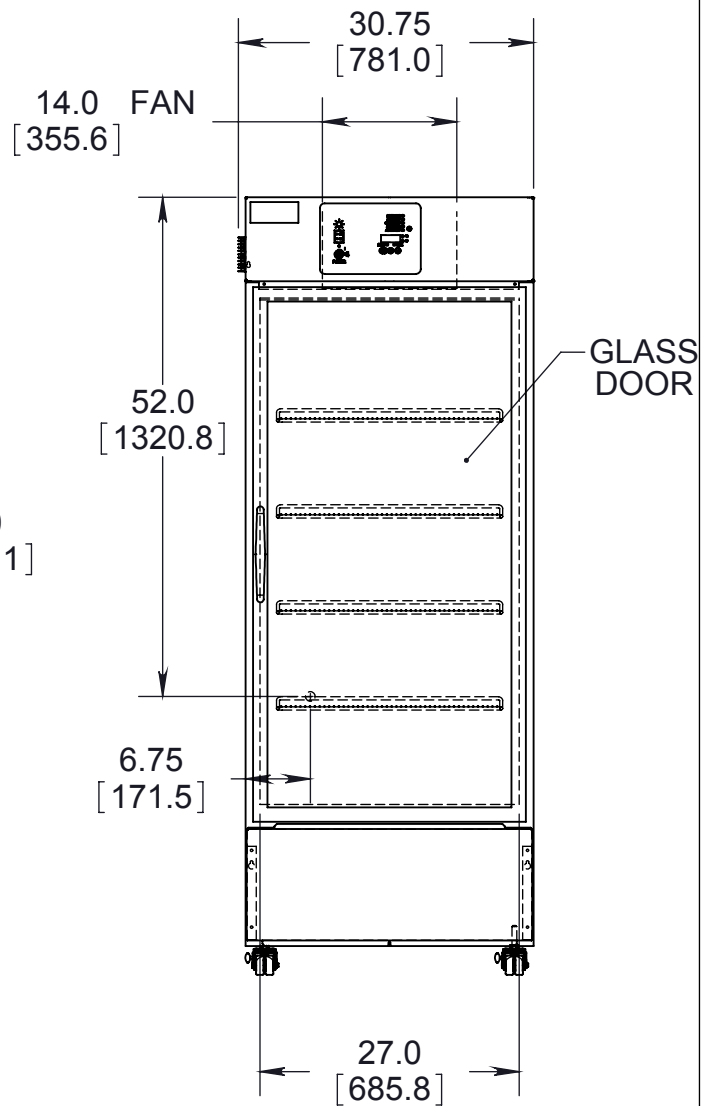
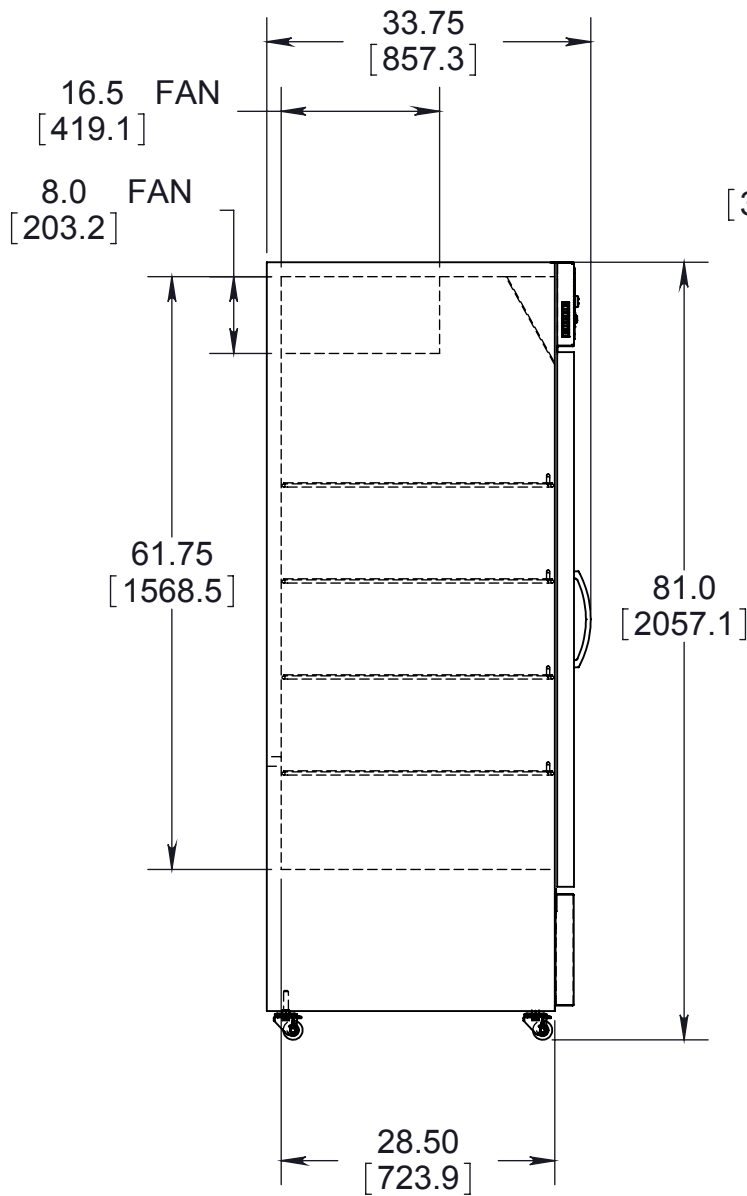
REV.	ECN #	DATE	DESCRIPTION
-	60088	2011-04-05	INITIAL RELEASE
REVISIONS			

3rd ANGLE PROJECTION	DWG. NO.
SIZE S	MR30SS-GARE
SHEET 1 OF 2	

GENERAL SPECIFICATIONS

1. EXTERIOR FINISH: STAINLESS STEEL FRONT, PAINTED GRAY SIDES
2. EXTERIOR DIMENSIONS:
WIDTH 781.0mm(30.75") DEPTH 857.3mm(33.75") HEIGHT 2057.1mm(81")
3. INTERIOR FINISH: STAINLESS STEEL
4. INTERIOR DIMENSIONS:
WIDTH 685.8mm(27") DEPTH 723.9mm(28.5") HEIGHT 1568.5mm(61.75")
5. INSULATION: FOAMED-IN-PLACE, CFC AND HCFC-FREE POLYURETHANE
6. GASKET: MAGNETIC
7. DOOR: DOUBLE PANE, TEMPERED GLASS DOOR, KEY LOCK
8. SHELVES: GRAY-4 WIRE, EPOXY COATED, ADJUSTABLE IN 1/2" INCREMENTS
9. CASTERS: 4 STEM MOUNT
10. CONTROLLER: DIGITAL, FACTORY SET TO 4°C (39°F)
11. DEFROST: N/A
12. COMPRESSOR: 1/3 HP, REFRIGERANT R 134A
13. ELECTRICAL DATA: 115V 60Hz / 5.8 AMPS
14. PLUG TYPE: NEMA 5-15P
15. TOTAL CAPACITY: 27 Cu.ft
16. TEMPERATURE RANGE: 1 TO 12°C
17. AVERAGE TEMPERATURE STABILITY: ± 3 °C
18. APPROVALS: UL/cUL
19. SHIPPING WEIGHT: 175KG (386 LBS).

<p>ThermoFisher SCIENTIFIC 275 AIKEN ROAD ASHEVILLE, NC 28804</p>	<p>THE INFORMATION CONTAINED HEREIN IS THE PROPRIETARY DATA OF THERMO FISHER SCIENTIFIC. IT IS NOT TO BE REPRODUCED OR DISCLOSED IN WHOLE OR IN PART WITHOUT PRIOR WRITTEN CONSENT OF THERMO FISHER SCIENTIFIC. DO NOT SCALE THIS DRAWING.</p>												
<p>TITLE REFRIGERATOR GLASS DOOR, 30 CuFt</p>													
<table border="1" style="width: 100%; border-collapse: collapse;"> <tr> <td style="width: 10%; text-align: center;">-</td> <td style="width: 10%; text-align: center;">-</td> <td style="width: 10%; text-align: center;">-</td> <td style="width: 70%; text-align: center;">SEE SHEET 1</td> </tr> <tr> <td style="text-align: center;">REV.</td> <td style="text-align: center;">ECN#</td> <td style="text-align: center;">DATE</td> <td style="text-align: center;">DESCRIPTION</td> </tr> <tr> <td colspan="4" style="text-align: center;">REVISIONS</td> </tr> </table>	-	-	-	SEE SHEET 1	REV.	ECN#	DATE	DESCRIPTION	REVISIONS				<p>3rd ANGLE PROJECTION DWG. NO. MR30SS-GARE</p> <p>SIZE S SHEET 2 OF 2</p>
-	-	-	SEE SHEET 1										
REV.	ECN#	DATE	DESCRIPTION										
REVISIONS													



ThermoFisher
SCIENTIFIC
275 AIKEN ROAD
ASHEVILLE, NC 28804

THE INFORMATION CONTAINED HEREIN IS THE PROPRIETARY DATA OF THERMO FISHER SCIENTIFIC. IT IS NOT TO BE REPRODUCED OR DISCLOSED IN WHOLE OR IN PART WITHOUT PRIOR WRITTEN CONSENT OF THERMO FISHER SCIENTIFIC. DO NOT SCALE THIS DRAWING.

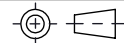
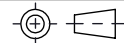
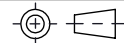
TITLE **REFRIGERATOR
GLASS DOOR, 30 CuFt**

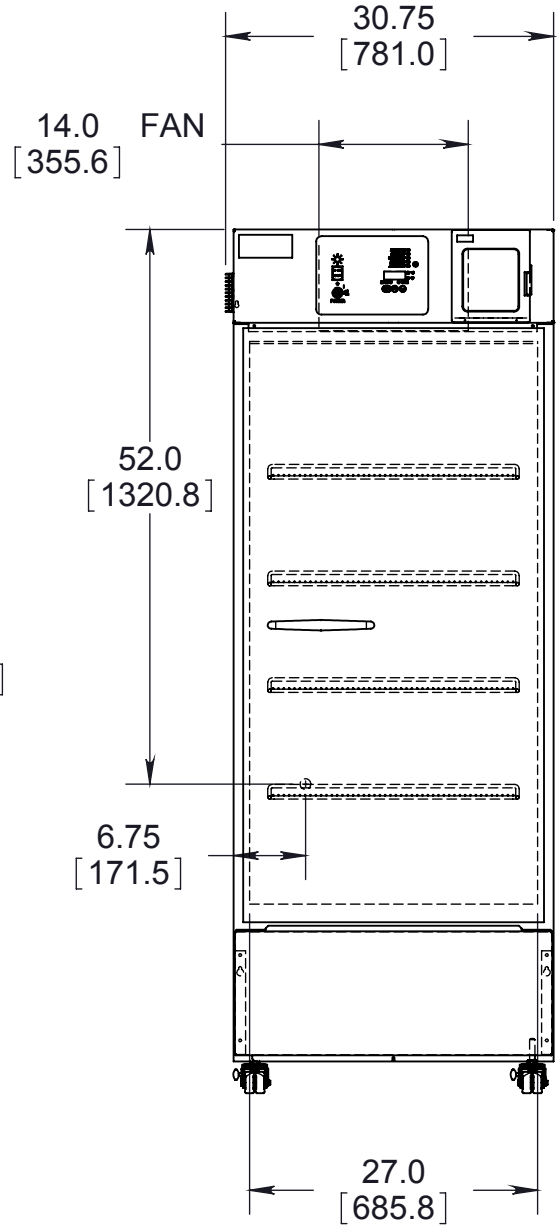
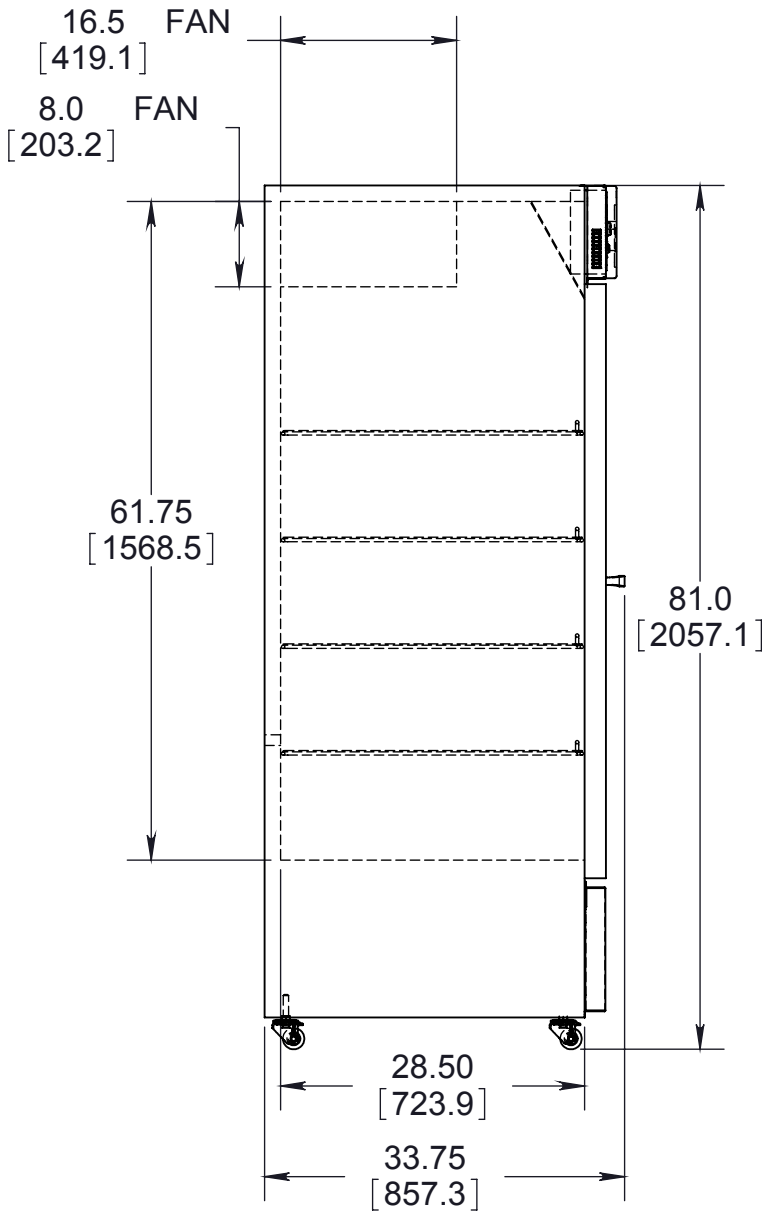
-	60088	2011-04-05	INITIAL RELEASE
REV.	ECN #	DATE	DESCRIPTION
REVISIONS			

3rd ANGLE PROJECTION		DWG. NO.
SIZE S	SHEET 1 OF 2	MR30SS-GAEE

GENERAL SPECIFICATIONS

1. EXTERIOR FINISH: STAINLESS STEEL FRONT, PAINTED GRAY SIDES
2. EXTERIOR DIMENSIONS:
WIDTH 781.0mm(30.75") DEPTH 857.3mm(33.75") HEIGHT 2057.1mm(81")
3. INTERIOR FINISH: STAINLESS STEEL
4. INTERIOR DIMENSIONS:
WIDTH 685.8mm(27") DEPTH 723.9mm(28.5") HEIGHT 1568.5mm(61.75")
5. INSULATION: FOAMED-IN-PLACE, CFC AND HCFC-FREE POLYURETHANE
6. GASKET: MAGNETIC
7. DOOR: DOUBLE PANE, TEMPERED GLASS DOOR, KEY LOCK
8. SHELVES: GRAY-4 WIRE, EPOXY COATED, ADJUSTABLE IN 1/2" INCREMENTS
9. CASTERS: 4 STEM MOUNT
10. CONTROLLER: DIGITAL, FACTORY SET TO 4°C (39°F)
11. DEFROST: N/A
12. COMPRESSOR: 1/3 HP, REFRIGERANT R 134A
13. ELECTRICAL DATA: 115V 60Hz / 5.8 AMPS
14. PLUG TYPE: NEMA 5-15P
15. TOTAL CAPACITY: 27 Cu.ft
16. TEMPERATURE RANGE: 1 TO 12°C
17. AVERAGE TEMPERATURE STABILITY: ± 3 °C
18. APPROVALS: UL/cUL
19. SHIPPING WEIGHT: 175KG (386 LBS).

<p>ThermoFisher SCIENTIFIC 275 AIKEN ROAD ASHEVILLE, NC 28804</p>	THE INFORMATION CONTAINED HEREIN IS THE PROPRIETARY DATA OF THERMO FISHER SCIENTIFIC. IT IS NOT TO BE REPRODUCED OR DISCLOSED IN WHOLE OR IN PART WITHOUT PRIOR WRITTEN CONSENT OF THERMO FISHER SCIENTIFIC. DO NOT SCALE THIS DRAWING.																		
<p>TITLE REFRIGERATOR GLASS DOOR, 30 CuFt</p>																			
<table border="1" style="width: 100%; border-collapse: collapse;"> <tr> <td style="width: 10%; text-align: center;">-</td> <td style="width: 10%; text-align: center;">-</td> <td style="width: 10%; text-align: center;">-</td> <td style="width: 70%;">SEE SHEET 1</td> </tr> <tr> <td style="text-align: center;">REV.</td> <td style="text-align: center;">ECN#</td> <td style="text-align: center;">DATE</td> <td style="text-align: center;">DESCRIPTION</td> </tr> <tr> <td colspan="4" style="text-align: center;">REVISIONS</td> </tr> </table>	-	-	-	SEE SHEET 1	REV.	ECN#	DATE	DESCRIPTION	REVISIONS				<table border="1" style="width: 100%; border-collapse: collapse;"> <tr> <td style="width: 30%; text-align: center;">3rd ANGLE PROJECTION</td> <td style="width: 20%; text-align: center;">  </td> <td style="width: 50%;">DWG. NO.</td> </tr> <tr> <td style="text-align: center;">SIZE S</td> <td style="text-align: center;">SHEET 2 OF 2</td> <td style="text-align: center;">MR30SS-GAEE</td> </tr> </table>	3rd ANGLE PROJECTION		DWG. NO.	SIZE S	SHEET 2 OF 2	MR30SS-GAEE
-	-	-	SEE SHEET 1																
REV.	ECN#	DATE	DESCRIPTION																
REVISIONS																			
3rd ANGLE PROJECTION		DWG. NO.																	
SIZE S	SHEET 2 OF 2	MR30SS-GAEE																	



ThermoFisher
SCIENTIFIC
275 AIKEN ROAD
ASHEVILLE, NC 28804

THE INFORMATION CONTAINED HEREIN IS THE PROPRIETARY DATA OF THERMO FISHER SCIENTIFIC. IT IS NOT TO BE REPRODUCED OR DISCLOSED IN WHOLE OR IN PART WITHOUT PRIOR WRITTEN CONSENT OF THERMO FISHER SCIENTIFIC. DO NOT SCALE THIS DRAWING.

TITLE **REFRIGERATOR
SOLID DOOR
30 cuFt**

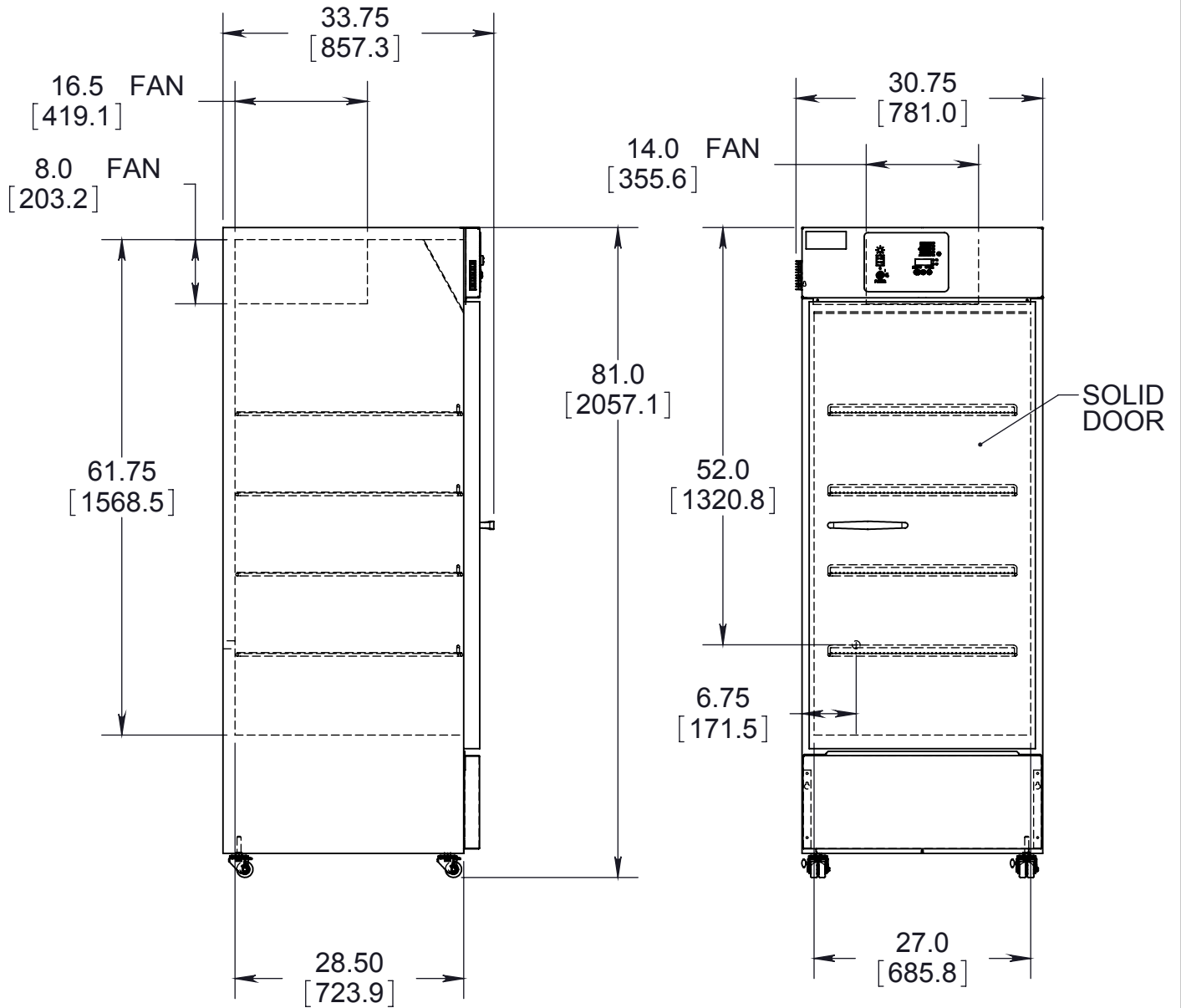
REV.	ECN #	DATE	DESCRIPTION
-	60088	2011-04-05	INITIAL RELEASE
REVISIONS			

3rd ANGLE PROJECTION	DWG. NO.
SIZE S SHEET 1 OF 2	MR30PA-SARE

GENERAL SPECIFICATIONS

1. EXTERIOR: PAINTED WHITE
2. EXTERIOR DIMENSIONS:
WIDTH 781.0mm(30.75") DEPTH 857.3mm(33.75") HEIGHT 2057.1mm(81")
3. INTERIOR: PAINTED WHITE
4. INTERIOR DIMENSIONS:
WIDTH 685.8mm(27") DEPTH 723.9mm(28.5") HEIGHT 1568.5mm(61.75")
5. INSULATION: FOAMED IN PLACE, CFC AND HCFC-FREE POLYURETHANE
6. GASKET: MAGNETIC
7. DOOR: SOLID STAINLESS STEEL DOOR SINGLE, KEY LOCK
8. SHELVES: WHITE-4 WIRE, EPOXY COATED, ADJUSTABLE IN 1/2" INCREMENTS.
9. CASTERS: 4 STEM MOUNT
10. CONTROLLER: DIGITAL, FACTORY PRESET TO 4°C(39°F)
11. DEFROST: N/A
12. COMPRESSOR: 1/3 HP, REFERIGERANT R 134A
13. TEMPERATURE RANGE: 1 TO 12°C
14. AVERAGE TEMPERATURE STABILITY: ±3°C
15. APPROVALS: UL/cUL
16. ELECTRICAL DATA:115V 60Hz / 5.8 AMPS
17. PLUG TYPE: NEMA 5-15P
18. TOTAL CAPACITY: 27CuFt
19. SHIPPING WEIGHT: 175KG (386LBS).

<p>ThermoFisher SCIENTIFIC 275 AIKEN ROAD ASHEVILLE, NC 28804</p>	<p>THE INFORMATION CONTAINED HEREIN IS THE PROPRIETARY DATA OF THERMO FISHER SCIENTIFIC. IT IS NOT TO BE REPRODUCED OR DISCLOSED IN WHOLE OR IN PART WITHOUT PRIOR WRITTEN CONSENT OF THERMO FISHER SCIENTIFIC. DO NOT SCALE THIS DRAWING.</p>												
<p>TITLE REFRIGERATOR SOLID DOOR 30 cuFt</p>													
<table border="1" style="width: 100%; border-collapse: collapse;"> <tr> <td style="width: 10%; text-align: center;">-</td> <td style="width: 10%; text-align: center;">-</td> <td style="width: 10%; text-align: center;">-</td> <td style="width: 70%; text-align: center;">SEE SHEET 1</td> </tr> <tr> <td style="text-align: center;">REV.</td> <td style="text-align: center;">ECN #</td> <td style="text-align: center;">DATE</td> <td style="text-align: center;">DESCRIPTION</td> </tr> <tr> <td colspan="4" style="text-align: center;">REVISIONS</td> </tr> </table>	-	-	-	SEE SHEET 1	REV.	ECN #	DATE	DESCRIPTION	REVISIONS				<p>3rd ANGLE PROJECTION DWG. NO. MR30PA-SARE</p> <p>SIZE S SHEET 2 OF 2</p>
-	-	-	SEE SHEET 1										
REV.	ECN #	DATE	DESCRIPTION										
REVISIONS													



ThermoFisher
SCIENTIFIC
 275 AIKEN ROAD
 ASHEVILLE, NC 28804

THE INFORMATION CONTAINED HEREIN IS THE PROPRIETARY DATA OF THERMO FISHER SCIENTIFIC. IT IS NOT TO BE REPRODUCED OR DISCLOSED IN WHOLE OR IN PART WITHOUT PRIOR WRITTEN CONSENT OF THERMO FISHER SCIENTIFIC. DO NOT SCALE THIS DRAWING.


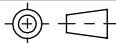
TITLE **REFRIGERATOR
 SOLID DOOR,30 CuFt**

REV.	ECN #	DATE	DESCRIPTION
-	60088	2011-04-05	INITIAL RELEASE
REVISIONS			

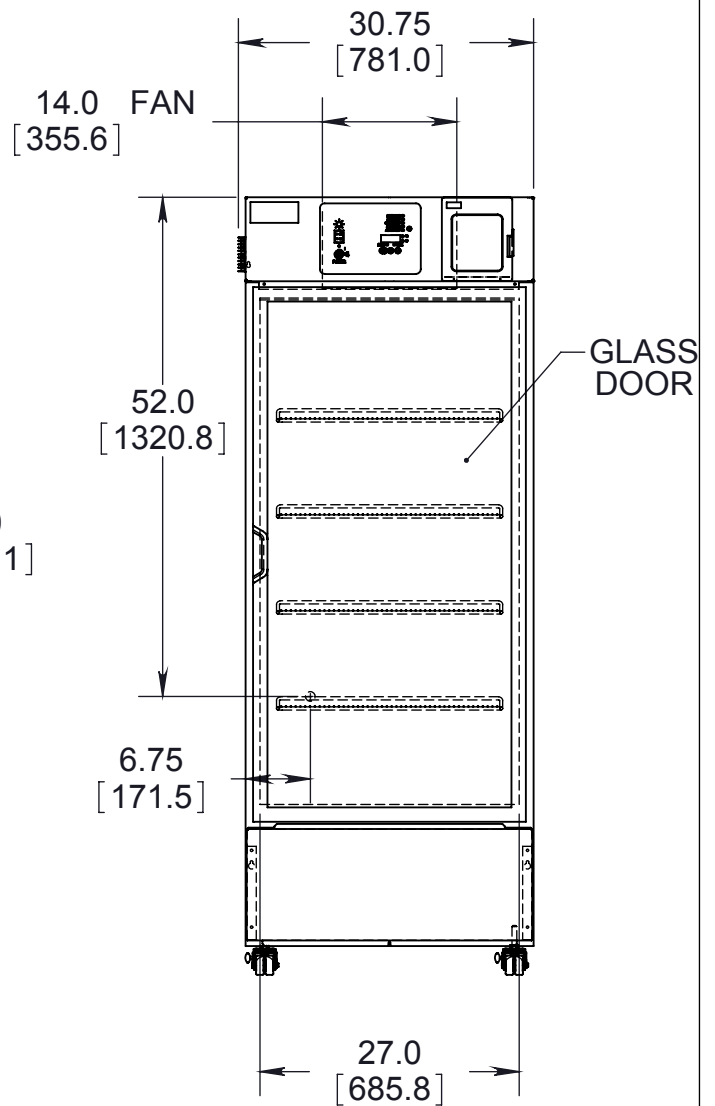
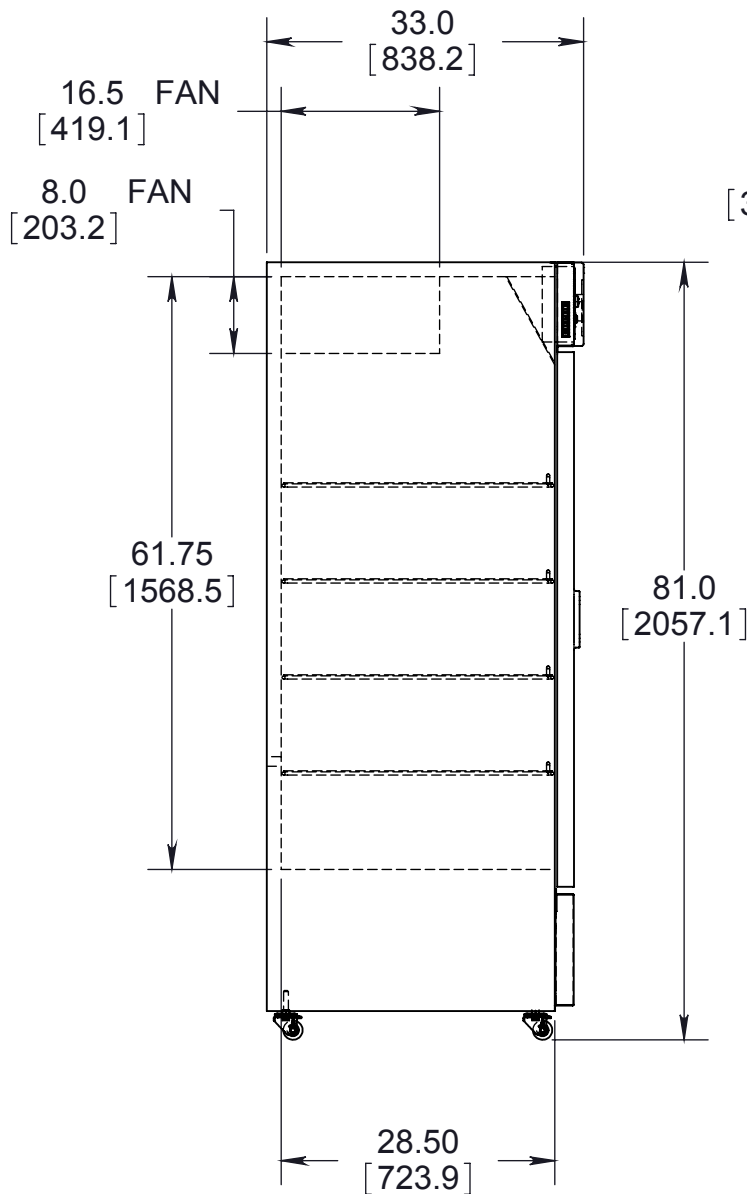
3rd ANGLE PROJECTION	DWG. NO.
SIZE S	MR30PA-SAE
SHEET 1 OF 2	

GENERAL SPECIFICATIONS

1. EXTERIOR FINISH: PAINTED WHITE
2. EXTERIOR DIMENSION:
WIDTH 781.0mm(30.75") DEPTH 857.3mm(33.75") HEIGHT 2057.1(81")
3. INTERIOR FINISH: PAINTED WHITE
4. INTERIOR DIMENSION:
WIDTH 685.8mm(27") DEPTH 723.9mm(28.5") HEIGHT 1568.1(61.75")
5. INSULATION: FOAMED-IN-PLACE, CFC AND HCFC-FREE POLYURETHANE
6. GASKET: MAGNETIC
7. DOOR: SOLID STAINLESS STEEL SINGLE DOOR, KEY LOCK
8. SHELVES: WHITE -4 WIRE, EPOXY COATED, ADJUSTABLE IN 1/2" INCREMENTS
9. CASTERS: 4 STEM MOUNT
10. CONTROLLER: DIGITAL, FACTORY SET TO 4°C (39°F)
11. DEFROST: N/A
12. COMPRESSOR:1/3 HP, REFRIGERANT R 134A
13. ELECTRICAL DATA: 115V 60Hz / 5.8 AMPS
14. PLUG TYPE: NEMA 5-15P
15. TOTAL CAPACITY: 27 Cu.ft
16. TEMPERATURE RANGE: 1 TO 12°C
17. AVERAGE TEMPERATURE STABILITY: ± 3 °C
18. APPROVALS: UL/cUL
19. SHIPPING WEIGHT: 175KG (386 LBS).

		<small>THE INFORMATION CONTAINED HEREIN IS THE PROPRIETARY DATA OF THERMO FISHER SCIENTIFIC. IT IS NOT TO BE REPRODUCED OR DISCLOSED IN WHOLE OR IN PART WITHOUT PRIOR WRITTEN CONSENT OF THERMO FISHER SCIENTIFIC. DO NOT SCALE THIS DRAWING.</small>
<small>275 AIKEN ROAD ASHEVILLE, NC 28804</small>		
TITLE REFRIGERATOR SOLID DOOR,30 CuFt		
<small>3rd ANGLE PROJECTION</small> 		<small>DWG. NO.</small> MR30PA-SAAE
<small>SIZE</small> S	<small>SHEET</small> 2 OF 2	

REV.	ECN#	DATE	DESCRIPTION
-	-	-	SEE SHEET 1
REVISIONS			



ThermoFisher
SCIENTIFIC
275 AIKEN ROAD
ASHEVILLE, NC 28804

THE INFORMATION CONTAINED HEREIN IS THE PROPRIETARY DATA OF THERMO FISHER SCIENTIFIC. IT IS NOT TO BE REPRODUCED OR DISCLOSED IN WHOLE OR IN PART WITHOUT PRIOR WRITTEN CONSENT OF THERMO FISHER SCIENTIFIC. DO NOT SCALE THIS DRAWING.

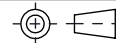
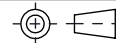
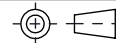
TITLE **REFRIGERATOR
GLASS DOOR,30 CuFt**

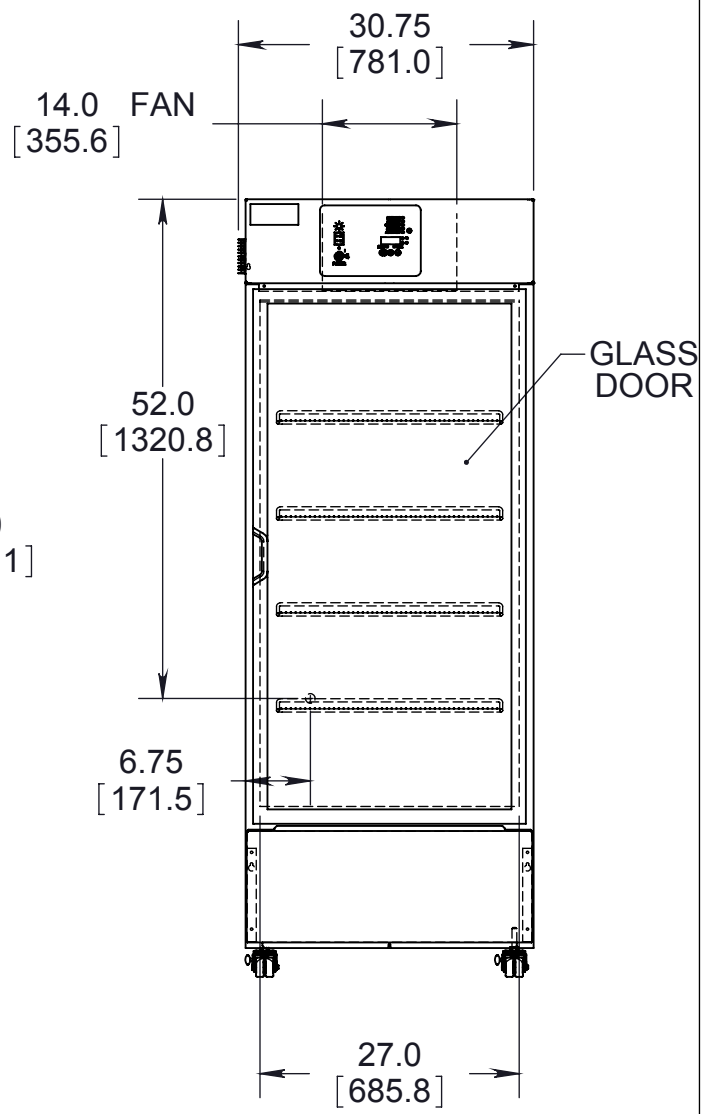
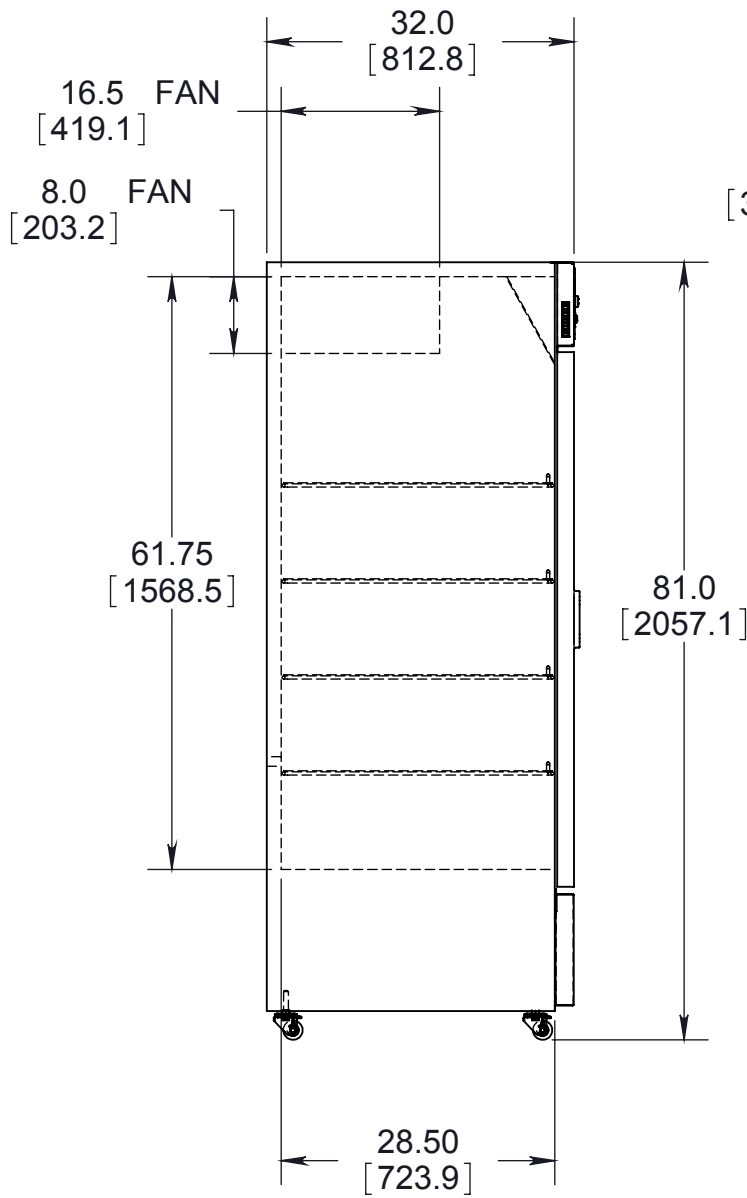
-	60088	2011-04-05	INITIAL RELEASE
REV.	ECN #	DATE	DESCRIPTION
REVISIONS			

3rd ANGLE PROJECTION		DWG. NO.
SIZE S	SHEET 1 OF 2	MR30PA-GARE

GENERAL SPECIFICATIONS

1. EXTERIOR FINISH: PAINTED WHITE
2. EXTERIOR DIMENSIONS:
WIDTH 781.0mm(30.75") DEPTH 838.2mm(33") HEIGHT 2057.1mm(81")
3. INTERIOR FINISH: PAINTED WHITE
4. INTERIOR DIMENSIONS:
WIDTH 685.8mm(27") DEPTH 723.9mm(28.5") HEIGHT 1568.5mm(61.75")
5. INSULATION: FOAMED-IN-PLACE, CFC AND HCFC-FREE POLYURETHANE
6. GASKET: MAGNETIC
7. DOOR: DOUBLE PANE, TEMPERED GLASS DOOR, KEY LOCK
8. SHELVES: WHITE -4 WIRE, EPOXY COATED, ADJUSTABLE IN 1/2" INCREMENTS
9. CASTERS: 4 STEM MOUNT
10. CONTROLLER: DIGITAL, FACTORY SET TO 4°C (39°F)
11. DEFROST: N/A
12. COMPRESSOR: 1/3 HP, REFRIGERANT R 134A
13. ELECTRICAL DATA: 115V 60Hz / 5.8 AMPS
14. PLUG TYPE: NEMA 5-15P
15. TOTAL CAPACITY: 27 Cu.ft
16. TEMPERATURE RANGE: 1 TO 12°C
17. AVERAGE TEMPERATURE STABILITY: ± 3 °C
18. APPROVALS: UL/cUL
19. SHIPPING WEIGHT: 175KG (386 LBS).

<p>ThermoFisher SCIENTIFIC 275 AIKEN ROAD ASHEVILLE, NC 28804</p>	<p>THE INFORMATION CONTAINED HEREIN IS THE PROPRIETARY DATA OF THERMO FISHER SCIENTIFIC. IT IS NOT TO BE REPRODUCED OR DISCLOSED IN WHOLE OR IN PART WITHOUT PRIOR WRITTEN CONSENT OF THERMO FISHER SCIENTIFIC. DO NOT SCALE THIS DRAWING.</p>																		
<p>TITLE REFRIGERATOR GLASS DOOR, 30 CuFt</p>																			
<table border="1" style="width: 100%; border-collapse: collapse;"> <tr> <td style="width: 10%; text-align: center;">-</td> <td style="width: 10%; text-align: center;">-</td> <td style="width: 10%; text-align: center;">-</td> <td style="width: 70%;">SEE SHEET 1</td> </tr> <tr> <td style="text-align: center;">REV.</td> <td style="text-align: center;">ECN#</td> <td style="text-align: center;">DATE</td> <td style="text-align: center;">DESCRIPTION</td> </tr> <tr> <td colspan="4" style="text-align: center;">REVISIONS</td> </tr> </table>	-	-	-	SEE SHEET 1	REV.	ECN#	DATE	DESCRIPTION	REVISIONS				<table border="1" style="width: 100%; border-collapse: collapse;"> <tr> <td style="width: 30%; text-align: center;">3rd ANGLE PROJECTION</td> <td style="width: 30%; text-align: center;">  </td> <td style="width: 40%;">DWG. NO.</td> </tr> <tr> <td style="text-align: center;">SIZE S</td> <td style="text-align: center;">SHEET 2 OF 2</td> <td style="text-align: center;">MR30PA-GARE</td> </tr> </table>	3rd ANGLE PROJECTION		DWG. NO.	SIZE S	SHEET 2 OF 2	MR30PA-GARE
-	-	-	SEE SHEET 1																
REV.	ECN#	DATE	DESCRIPTION																
REVISIONS																			
3rd ANGLE PROJECTION		DWG. NO.																	
SIZE S	SHEET 2 OF 2	MR30PA-GARE																	



ThermoFisher
SCIENTIFIC
275 AIKEN ROAD
ASHEVILLE, NC 28804

THE INFORMATION CONTAINED HEREIN IS THE PROPRIETARY DATA OF THERMO FISHER SCIENTIFIC. IT IS NOT TO BE REPRODUCED OR DISCLOSED IN WHOLE OR IN PART WITHOUT PRIOR WRITTEN CONSENT OF THERMO FISHER SCIENTIFIC. DO NOT SCALE THIS DRAWING.

TITLE **REFRIGERATOR
GLASS DOOR,30 CuFt**

-	60088	2011-04-05	INITIAL RELEASE
REV.	ECN #	DATE	DESCRIPTION
REVISIONS			

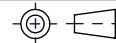
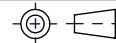
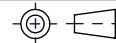
3rd ANGLE PROJECTION

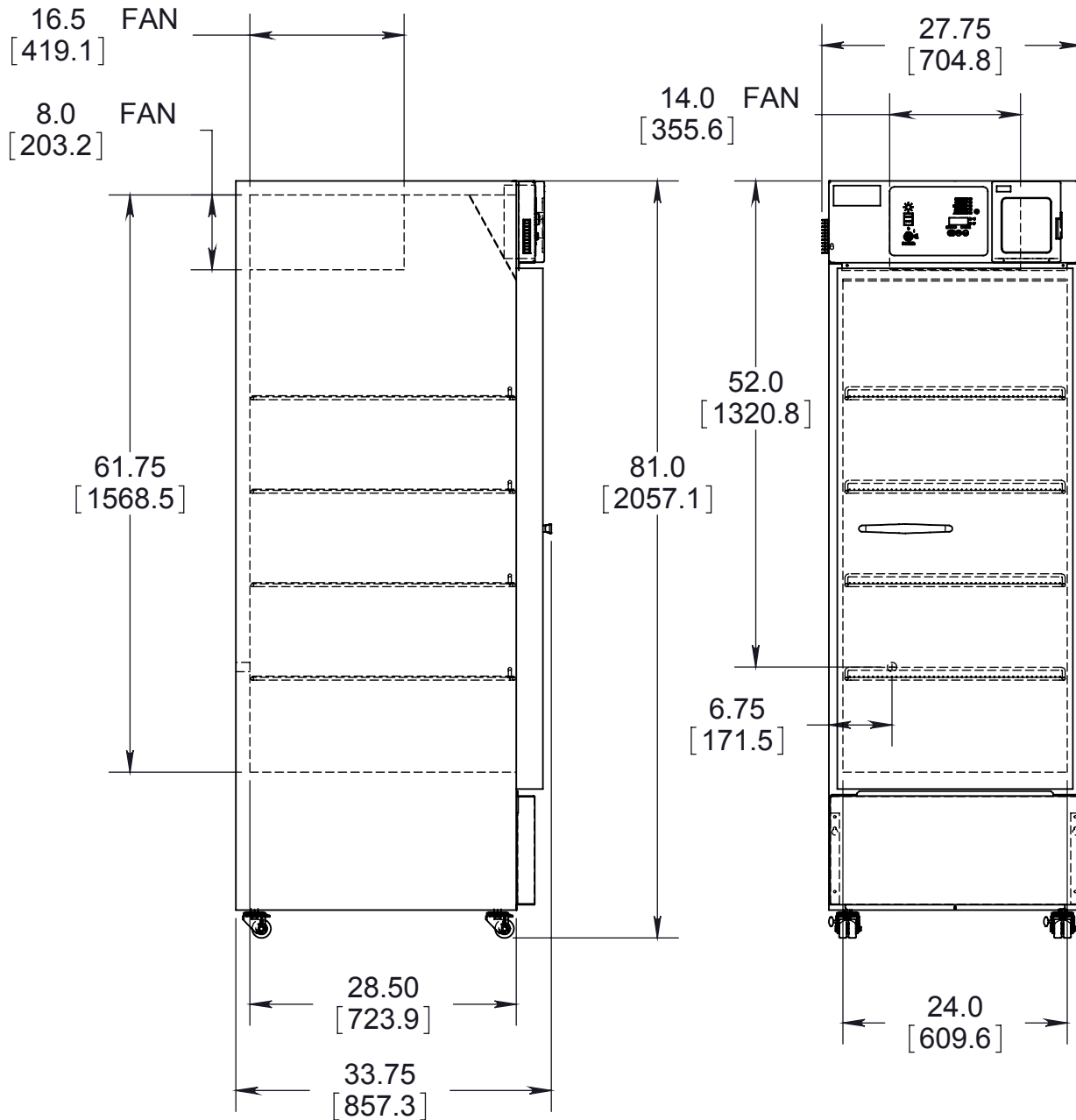
SIZE **S** SHEET 1 OF 2

DWG. NO. **MR30PA-GAEE**

GENERAL SPECIFICATIONS

1. EXTERIOR FINISH: PAINTED WHITE
2. EXTERIOR DIMENSIONS:
WIDTH 781.0mm(30.75") DEPTH 812.8mm(32") HEIGHT 2057.1mm(81")
3. INTERIOR FINISH: PAINTED WHITE
4. INTERIOR DIMENSIONS:
WIDTH 685.8mm(27") DEPTH 723.9mm(28.5") HEIGHT 1568.5mm(61.75")
5. INSULATION: FOAMED-IN-PLACE, CFC AND HCFC-FREE POLYURETHANE
6. GASKET: MAGNETIC
7. DOOR: DOUBLE PANE, TEMPERED GLASS DOOR, KEY LOCK
8. SHELVES: WHITE-4 WIRE, EPOXY COATED, ADJUSTABLE IN 1/2" INCREMENTS
9. CASTERS: 4 STEM MOUNT
10. CONTROLLER: DIGITAL, FACTORY SET TO 4°C (39°F)
11. DEFROST: N/A
12. COMPRESSOR:1/3 HP, REFRIGERANT R 134A
13. ELECTRICAL DATA: 115V 60Hz / 5.8 AMPS
14. PLUG TYPE: NEMA 5-15P
15. TOTAL CAPACITY: 27 Cu.ft
16. TEMPERATURE RANGE: 1 TO 12°C
17. AVERAGE TEMPERATURE STABILITY: ± 3 °C
18. APPROVALS: UL/cUL
19. SHIPPING WEIGHT: 175KG (386 LBS).

<p>ThermoFisher SCIENTIFIC 275 AIKEN ROAD ASHEVILLE, NC 28804</p>	<p>THE INFORMATION CONTAINED HEREIN IS THE PROPRIETARY DATA OF THERMO FISHER SCIENTIFIC. IT IS NOT TO BE REPRODUCED OR DISCLOSED IN WHOLE OR IN PART WITHOUT PRIOR WRITTEN CONSENT OF THERMO FISHER SCIENTIFIC. DO NOT SCALE THIS DRAWING.</p>																		
<p>TITLE REFRIGERATOR GLASS DOOR,30 CuFt</p>																			
<table border="1" style="width: 100%; border-collapse: collapse;"> <tr> <td style="width: 10%; text-align: center;">-</td> <td style="width: 10%; text-align: center;">-</td> <td style="width: 10%; text-align: center;">-</td> <td style="width: 70%;">SEE SHEET 1</td> </tr> <tr> <td style="text-align: center;">REV.</td> <td style="text-align: center;">ECN#</td> <td style="text-align: center;">DATE</td> <td style="text-align: center;">DESCRIPTION</td> </tr> <tr> <td colspan="4" style="text-align: center;">REVISIONS</td> </tr> </table>	-	-	-	SEE SHEET 1	REV.	ECN#	DATE	DESCRIPTION	REVISIONS				<table border="1" style="width: 100%; border-collapse: collapse;"> <tr> <td style="width: 30%; text-align: center;">3rd ANGLE PROJECTION</td> <td style="width: 20%; text-align: center;">  </td> <td style="width: 50%;">DWG. NO.</td> </tr> <tr> <td style="text-align: center;">SIZE S</td> <td style="text-align: center;">SHEET 2 OF 2</td> <td style="text-align: center;">MR30PA-GAEE</td> </tr> </table>	3rd ANGLE PROJECTION		DWG. NO.	SIZE S	SHEET 2 OF 2	MR30PA-GAEE
-	-	-	SEE SHEET 1																
REV.	ECN#	DATE	DESCRIPTION																
REVISIONS																			
3rd ANGLE PROJECTION		DWG. NO.																	
SIZE S	SHEET 2 OF 2	MR30PA-GAEE																	

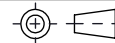


ThermoFisher
SCIENTIFIC
 275 AIKEN ROAD
 ASHEVILLE, NC 28804

THE INFORMATION CONTAINED HEREIN IS THE PROPRIETARY DATA OF THERMO FISHER SCIENTIFIC. IT IS NOT TO BE REPRODUCED OR DISCLOSED IN WHOLE OR IN PART WITHOUT PRIOR WRITTEN CONSENT OF THERMO FISHER SCIENTIFIC. DO NOT SCALE THIS DRAWING.

TITLE **REFRIGERATOR
 SOLID DOOR
 25 cuFt**

REV.	ECN #	DATE	DESCRIPTION
-	60088	2011-04-01	INITIAL RELEASE
REVISIONS			

3rd ANGLE PROJECTION 

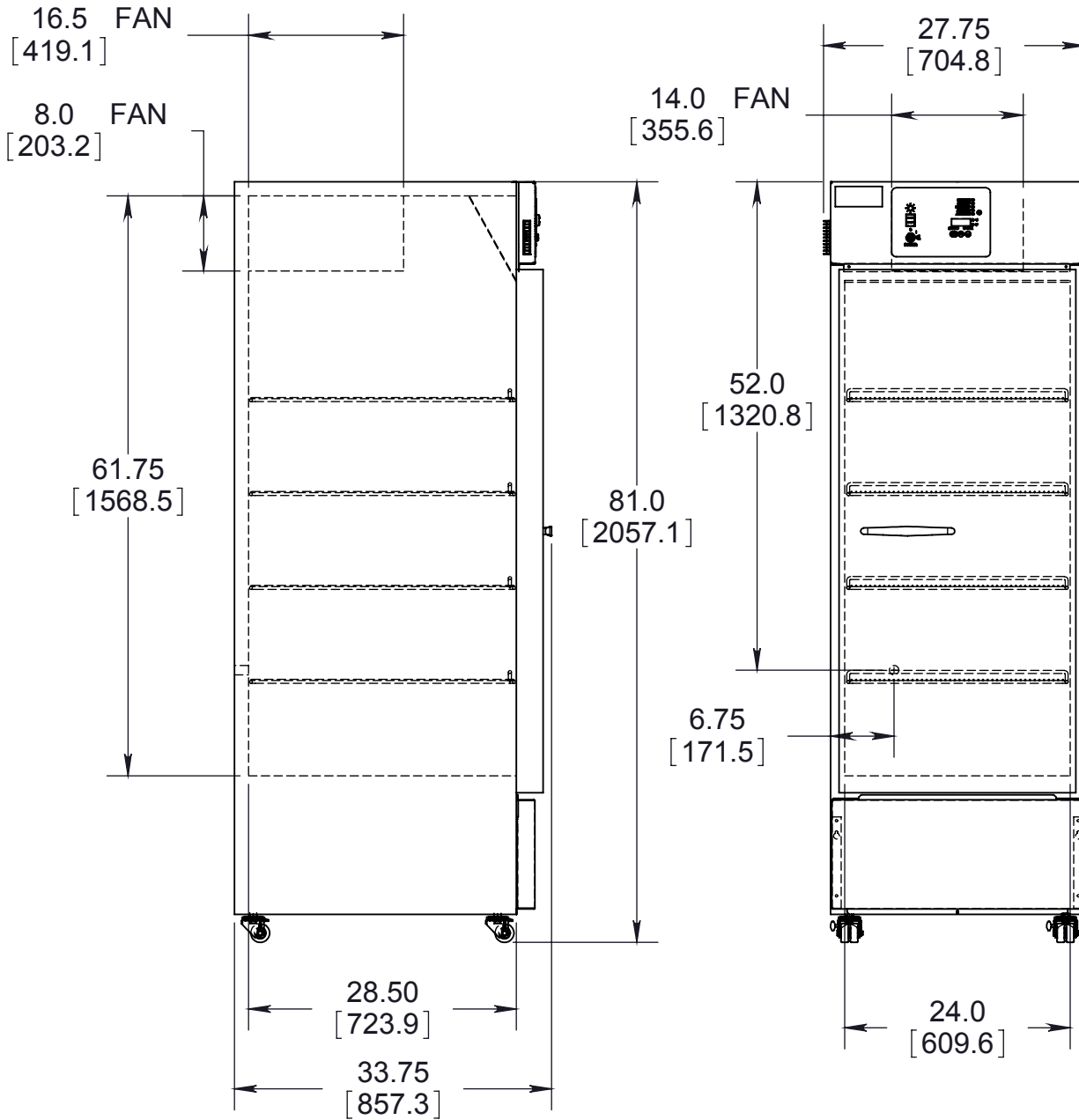
SIZE **S** SHEET 1 OF 2

DWG. NO. **MR25SS-SARE**

GENERAL SPECIFICATIONS

1. EXTERIOR FINISH: STAINLESS STEEL FRONT, PAINTED GRAY SIDES
2. EXTERIOR DIMENSIONS:
WIDTH 704.8mm(27.75") DEPTH 857.3mm(33.75") HEIGHT 2057.1mm(81")
3. INTERIOR FINISH: STAINLESS STEEL
4. INTERIOR DIMENSIONS:
WIDTH 609.6mm(24") DEPTH 723.9mm(28.5") HEIGHT 1568.5mm(61.75")
5. INSULATION: FOAMED IN PLACE, CFC AND HCFC-FREE POLYURETHANE
6. GASKET: MAGNETIC
7. DOOR: SOLID STAINLESS STEEL DOOR SINGLE, KEY LOCK
8. SHELVES: GRAY-4 WIRE, EPOXY COATED, ADJUSTABLE IN 1/2" INCREMENTS.
9. CASTERS: 4 STEM MOUNT
10. CONTROLLER: DIGITAL, FACTORY PRESET TO +4°C (39°F)
11. DEFROST : N/A
12. COMPRESSOR:1/3 HP, REFERIGERANT R 134A
13. TEMPERATURE RANGE: 1° TO 12°C
14. AVERAGE TEMERATURE STABILITY: ±3°C
15. APPROVALS: UL/cUL
16. ELECTRICAL DATA:115V 60Hz / 5.8 AMPS
17. PLUG TYPE: NEMA 5-15P
18. TOTAL CAPACITY: 23 Cuft
19. SHIPPING WEIGHT: 136KG (300LBS).

<p>ThermoFisher SCIENTIFIC 275 AIKEN ROAD ASHEVILLE, NC 28804</p>	<p>THE INFORMATION CONTAINED HEREIN IS THE PROPRIETARY DATA OF THERMO FISHER SCIENTIFIC. IT IS NOT TO BE REPRODUCED OR DISCLOSED IN WHOLE OR IN PART WITHOUT PRIOR WRITTEN CONSENT OF THERMO FISHER SCIENTIFIC. DO NOT SCALE THIS DRAWING.</p>												
<p>TITLE REFRIGERATOR SOLID DOOR 25 cuFt</p>													
<table border="1" style="width: 100%; border-collapse: collapse;"> <tr> <td style="width: 10%; text-align: center;">-</td> <td style="width: 10%; text-align: center;">-</td> <td style="width: 10%; text-align: center;">-</td> <td style="width: 70%; text-align: center;">SEE SHEET 1</td> </tr> <tr> <td style="text-align: center;">REV.</td> <td style="text-align: center;">ECN #</td> <td style="text-align: center;">DATE</td> <td style="text-align: center;">DESCRIPTION</td> </tr> <tr> <td colspan="4" style="text-align: center;">REVISIONS</td> </tr> </table>	-	-	-	SEE SHEET 1	REV.	ECN #	DATE	DESCRIPTION	REVISIONS				<p>3rd ANGLE PROJECTION DWG. NO.</p> <p>SIZE S SHEET 2 OF 2 MR25SS-SARE</p>
-	-	-	SEE SHEET 1										
REV.	ECN #	DATE	DESCRIPTION										
REVISIONS													



ThermoFisher
SCIENTIFIC
 275 AIKEN ROAD
 ASHEVILLE, NC 28804

THE INFORMATION CONTAINED HEREIN IS THE PROPRIETARY DATA OF THERMO FISHER SCIENTIFIC. IT IS NOT TO BE REPRODUCED OR DISCLOSED IN WHOLE OR IN PART WITHOUT PRIOR WRITTEN CONSENT OF THERMO FISHER SCIENTIFIC. DO NOT SCALE THIS DRAWING.

TITLE **REFRIGERATOR
 SOLID DOOR
 25 cuFt**

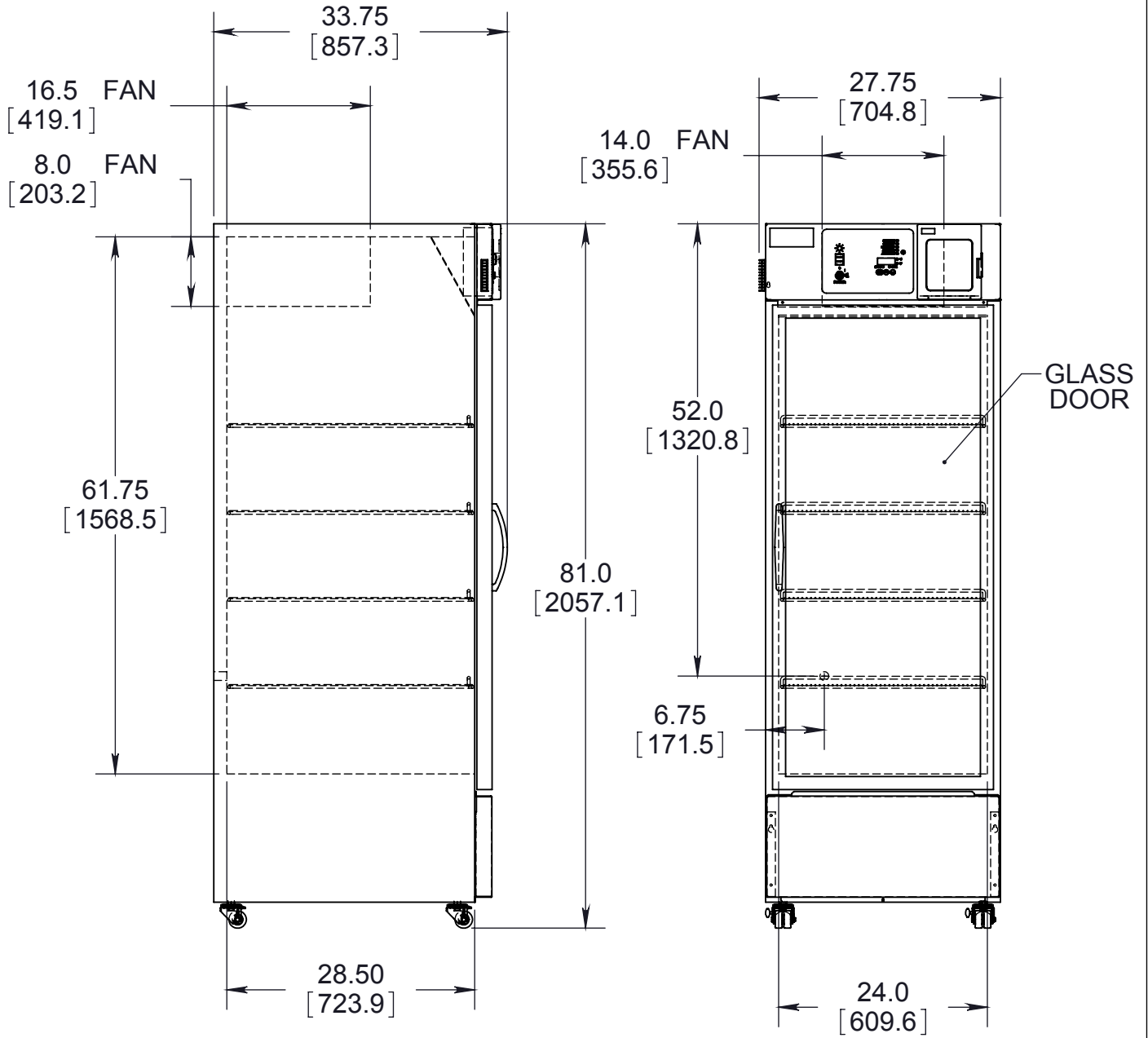
REV.	ECN #	DATE	DESCRIPTION
-	60088	2011-04-01	INITIAL RELEASE
REVISIONS			

3rd ANGLE PROJECTION		DWG. NO.
SIZE S	SHEET 1 OF 2	MR25SS-SAAE

GENERAL SPECIFICATIONS

1. EXTERIOR FINISH: STAINLESS STEEL FRONT, PAINTED GRAY SIDES
2. EXTERIOR DIMENSIONS:
WIDTH 704.8mm(27.75") DEPTH 857.3mm(33.75") HEIGHT 2057.1mm(81.0")
3. INTERIOR FINISH: STAINLESS STEEL
4. INTERIOR DIMENSIONS:
WIDTH 609.6mm(24") DEPTH 723.9mm(28.5") HEIGHT 1568.5mm(61.75")
5. INSULATION: FOAMED IN PLACE, CFC AND HCFC-FREE POLYURETHANE
6. GASKET: MAGNETIC
7. DOOR: SOLID STAINLESS STEEL DOOR SINGLE, KEY LOCK
8. SHELVES: GRAY-4 WIRE, EPOXY COATED, ADJUSTABLE IN 1/2" INCREMENTS.
9. CASTERS: 4 STEM MOUNT
10. CONTROLLER: DIGITAL, FACTORY PRESET TO +4°C (39°F)
11. DEFROST : N/A
12. COMPRESSOR: 1/3 HP, REFERIGERANT R 134A
13. TEMPERATURE RANGE: 1° TO 12°C
14. AVERAGE TEMERATURE STABILITY: ±3°C
15. APPROVALS: UL/cUL
16. ELECTRICAL DATA: 115V 60Hz / 5.8 AMPS
17. PLUG TYPE: NEMA 5-15P
18. TOTAL CAPACITY: 23 Cuft
19. SHIPPING WEIGHT: 136KG (300LBS).

<p>ThermoFisher SCIENTIFIC 275 AIKEN ROAD ASHEVILLE, NC 28804</p>	<p>THE INFORMATION CONTAINED HEREIN IS THE PROPRIETARY DATA OF THERMO FISHER SCIENTIFIC. IT IS NOT TO BE REPRODUCED OR DISCLOSED IN WHOLE OR IN PART WITHOUT PRIOR WRITTEN CONSENT OF THERMO FISHER SCIENTIFIC. DO NOT SCALE THIS DRAWING.</p>												
<p>TITLE REFRIGERATOR SOLID DOOR 25 cuFt</p>													
<table border="1" style="width: 100%; border-collapse: collapse;"> <tr> <td style="width: 10%; text-align: center;">-</td> <td style="width: 10%; text-align: center;">-</td> <td style="width: 10%; text-align: center;">-</td> <td style="width: 70%; text-align: center;">SEE SHEET 1</td> </tr> <tr> <td style="text-align: center;">REV.</td> <td style="text-align: center;">ECN #</td> <td style="text-align: center;">DATE</td> <td style="text-align: center;">DESCRIPTION</td> </tr> <tr> <td colspan="4" style="text-align: center;">REVISIONS</td> </tr> </table>	-	-	-	SEE SHEET 1	REV.	ECN #	DATE	DESCRIPTION	REVISIONS				<p>3rd ANGLE PROJECTION DWG. NO. MR25SS-SAE</p> <p>SIZE S SHEET 2 OF 2</p>
-	-	-	SEE SHEET 1										
REV.	ECN #	DATE	DESCRIPTION										
REVISIONS													



ThermoFisher
SCIENTIFIC
 275 AIKEN ROAD
 ASHEVILLE, NC 28804

THE INFORMATION CONTAINED HEREIN IS THE PROPRIETARY DATA OF THERMO FISHER SCIENTIFIC. IT IS NOT TO BE REPRODUCED OR DISCLOSED IN WHOLE OR IN PART WITHOUT PRIOR WRITTEN CONSENT OF THERMO FISHER SCIENTIFIC. DO NOT SCALE THIS DRAWING.

TITLE **REFRIGERATOR
 GLASS DOOR
 25 cuFt**

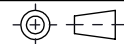
REV.	ECN #	DATE	DESCRIPTION
-	60088	2011-02-10	INITIAL RELEASE
REVISIONS			

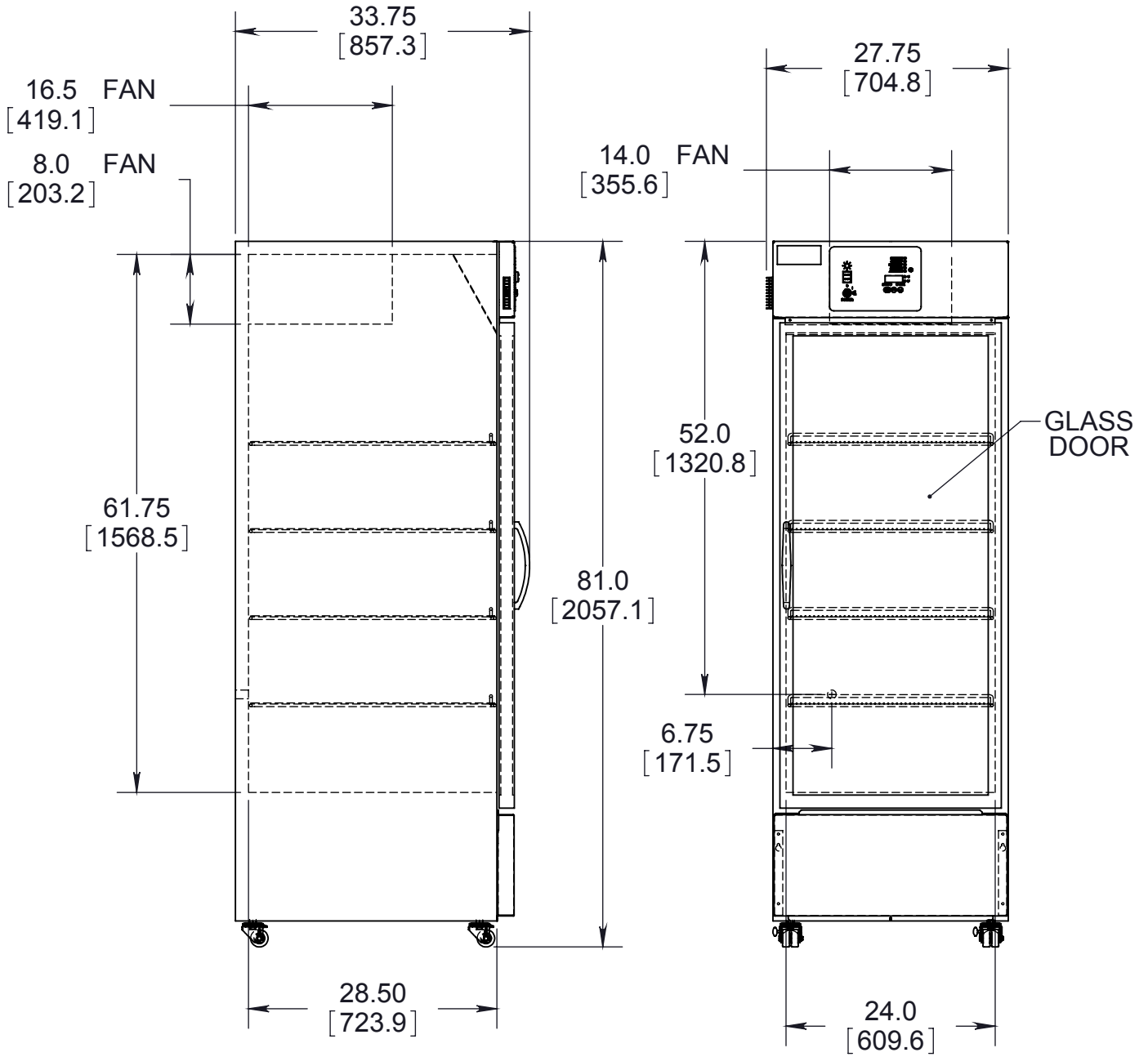
3rd ANGLE PROJECTION		DWG. NO.
SIZE S	SHEET 1 OF 2	MR25SS-GARE

GENERAL SPECIFICATIONS

1. EXTERIOR: STAINLESS STEEL FRONT, PAINTED GRAY SIDES
2. EXTERIOR DIMENSIONS:
WIDTH 704.8mm(27.75") DEPTH 857.3mm(33.75") HEIGHT 2057.1mm(81")
3. INTERIOR: STAINLESS STEEL
4. INTERIOR DIMENSIONS:
WIDTH 609.6mm(24") DEPTH 723.9mm(28.5") HEIGHT 1568.5mm(61.75")
5. INSULATION: FOAMED IN PLACE, CFC AND HCFC-FREE POLYURETHANE
6. GASKET: MAGNETIC
7. DOOR: GLASS DOOR SINGLE, KEY LOCK, DOUBLE PANE, TEMPERED GALSS
8. SHELVES: GRAY-4 WIRE, EPOXY COATED, ADJUSTABLE IN 1/2" INCREMENTS.
9. CASTERS: 4 STEM MOUNT
10. CONTROLLER: DIGITAL, FACTORY PRESET TO +4°C (39°F)
11. DEFROST: N/A
12. COMPRESSOR: 1/3 HP, REFERIGERANT R 134A
13. TEMPERATURE RANGE: 1 TO 12°C
14. AVERAGE TEMERATURE STABILITY: ±3°C
15. APPROVALS: UL/cUL
16. ELECTRICAL DATA: 115V 60Hz / 5.8 AMPS
17. PLUG TYPE: NEMA 5-15P
18. TOTAL CAPACITY: 23 CuFt
19. SHIPPING WEIGHT: 136KG (300LBS).

REV.	ECN #	DATE	DESCRIPTION
-	-	-	SEE SHEET 1
REVISIONS			

ThermoFisher SCIENTIFIC 275 AIKEN ROAD ASHEVILLE, NC 28804		THE INFORMATION CONTAINED HEREIN IS THE PROPRIETARY DATA OF THERMO FISHER SCIENTIFIC. IT IS NOT TO BE REPRODUCED OR DISCLOSED IN WHOLE OR IN PART WITHOUT PRIOR WRITTEN CONSENT OF THERMO FISHER SCIENTIFIC. DO NOT SCALE THIS DRAWING.
TITLE REFRIGERATOR GLASS DOOR 25 cuFt		
3rd ANGLE PROJECTION 		DWG. NO.
SIZE S	SHEET 2 OF 2	MR25SS-GARE

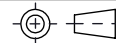


ThermoFisher
SCIENTIFIC
 275 AIKEN ROAD
 ASHEVILLE, NC 28804

THE INFORMATION CONTAINED HEREIN IS THE PROPRIETARY DATA OF THERMO FISHER SCIENTIFIC. IT IS NOT TO BE REPRODUCED OR DISCLOSED IN WHOLE OR IN PART WITHOUT PRIOR WRITTEN CONSENT OF THERMO FISHER SCIENTIFIC. DO NOT SCALE THIS DRAWING.

TITLE **REFRIGERATOR
 GLASS DOOR
 25 cuFt**

REV.	ECN #	DATE	DESCRIPTION
-	60088	2011-04-01	INITIAL RELEASE
REVISIONS			

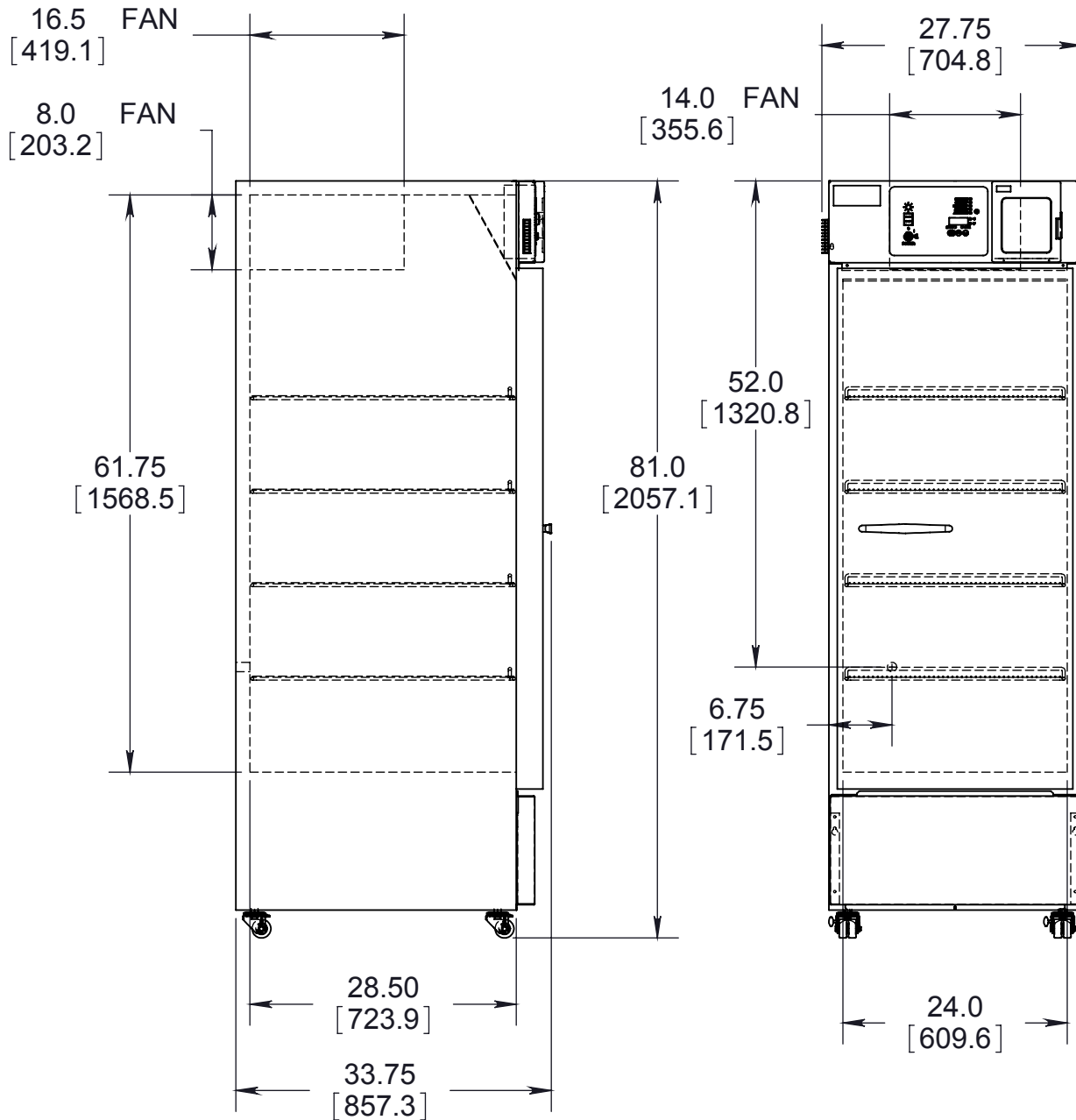
3rd ANGLE PROJECTION  DWG. NO. **MR25SS-GAEE**

SIZE **S** SHEET 1 OF 2

GENERAL SPECIFICATIONS

1. EXTERIOR FINISH: STAINLESS STEEL FRONT, PAINTED GRAY SIDES
2. EXTERIOR DIMENSIONS:
WIDTH 704.8mm(27.75") DEPTH 857.3mm(33.75") HEIGHT 2057.1mm(81")
3. INTERIOR FINISH: STAINLESS STEEL
4. INTERIOR DIMENSIONS:
WIDTH 609.6mm(24") DEPTH 723.9mm(28.5") HEIGHT 1568.5mm(61.75")
5. INSULATION: FOAMED IN PLACE, CFC AND HCFC-FREE POLYURETHANE
6. GASKET: MAGNETIC
7. DOOR: GLASS DOOR SINGLE, KEY LOCK, DOUBLE PANE, TEMPERED GLASS
8. SHELVES: GRAY-4 WIRE, EPOXY COATED, ADJUSTABLE IN 1/2" INCREMENTS.
9. CASTERS: 4 STEM MOUNT
10. CONTROLLER: DIGITAL, FACTORY PRESET TO +4 °C (39°F)
11. DEFROST: N/A
12. COMPRESSOR: 1/3 HP, REFERIGERANT R 134A
13. TEMPERATURE RANGE: 1 TO 12°C
14. AVERAGE TEMERATURE STABILITY: ±3°C
15. APPROVALS: UL/cJUL
16. ELECTRICAL DATA: 115V 60Hz / 5.8 AMPS
17. PLUG TYPE: NEMA 5-15P
18. TOTAL CAPACITY: 23 CuFt
19. SHIPPING WEIGHT: 136KG (300LBS).

<p style="margin: 0;">ThermoFisher S C I E N T I F I C 275 AIKEN ROAD ASHEVILLE, NC 28804</p>	<p style="margin: 0;">THE INFORMATION CONTAINED HEREIN IS THE PROPRIETARY DATA OF THERMO FISHER SCIENTIFIC. IT IS NOT TO BE REPRODUCED OR DISCLOSED IN WHOLE OR IN PART WITHOUT PRIOR WRITTEN CONSENT OF THERMO FISHER SCIENTIFIC. DO NOT SCALE THIS DRAWING.</p>												
<p style="margin: 0;">TITLE REFRIGERATOR GLASS DOOR 25 cuFt</p>													
<table border="1" style="width: 100%; border-collapse: collapse;"> <tr> <td style="width: 10%; text-align: center;">-</td> <td style="width: 10%; text-align: center;">-</td> <td style="width: 10%; text-align: center;">-</td> <td style="width: 70%; text-align: center;">SEE SHEET1</td> </tr> <tr> <td style="text-align: center;">REV.</td> <td style="text-align: center;">ECN #</td> <td style="text-align: center;">DATE</td> <td style="text-align: center;">DESCRIPTION</td> </tr> <tr> <td colspan="4" style="text-align: center;">REVISIONS</td> </tr> </table>	-	-	-	SEE SHEET1	REV.	ECN #	DATE	DESCRIPTION	REVISIONS				<p style="margin: 0;">3rd ANGLE PROJECTION </p> <p style="margin: 0;">DWG. NO. MR25SS-GAEE</p>
-	-	-	SEE SHEET1										
REV.	ECN #	DATE	DESCRIPTION										
REVISIONS													
SIZE S	SHEET 2 OF 2												

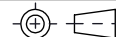


ThermoFisher
SCIENTIFIC
 275 AIKEN ROAD
 ASHEVILLE, NC 28804

THE INFORMATION CONTAINED HEREIN IS THE PROPRIETARY DATA OF THERMO FISHER SCIENTIFIC. IT IS NOT TO BE REPRODUCED OR DISCLOSED IN WHOLE OR IN PART WITHOUT PRIOR WRITTEN CONSENT OF THERMO FISHER SCIENTIFIC. DO NOT SCALE THIS DRAWING.

TITLE **REFRIGERATOR
 SOLID DOOR
 25 cuFt**

3rd ANGLE PROJECTION



DWG. NO.

MR25PA-SARE

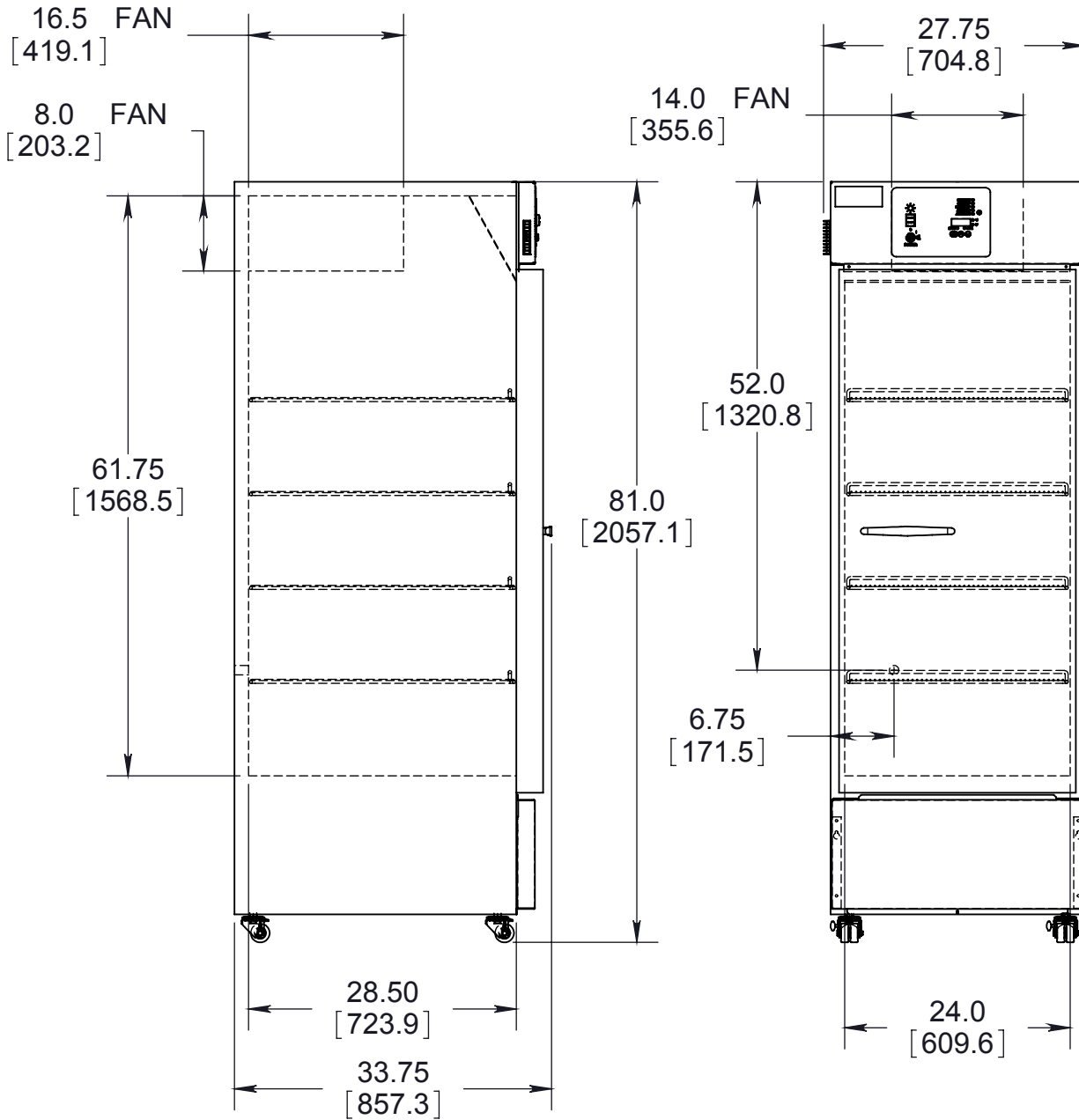
REV.	ECN #	DATE	DESCRIPTION
-	60088	2011-04-01	INITIAL RELEASE
REVISIONS			

SIZE **S** SHEET 1 OF 2

GENERAL SPECIFICATIONS

1. EXTERIOR FINISH: PAINTED WHITE
2. EXTERIOR DIMENSIONS:
WIDTH 704.8mm(27.75") DEPTH 857.3mm(33.75") HEIGHT 2057.1mm(81")
3. INTERIOR FINISH: PAINTED WHITE
4. INTERIOR DIMENSIONS:
WIDTH 609.6mm(24") DEPTH 723.9mm(28.5") HEIGHT 1568.5mm(61.75")
5. INSULATION: FOAMED IN PLACE, CFC AND HCFC-FREE POLYURETHANE
6. GASKET: MAGNETIC
7. DOOR: SOLID STAINLESS STEEL DOOR SINGLE, KEY LOCK
8. SHELVES: WHITE-4 WIRE, EPOXY COATED, ADJUSTABLE IN 1/2" INCREMENTS.
9. CASTERS: 4 STEM MOUNT
10. CONTROLLER: DIGITAL, FACTORY PRESET TO +4°C (39°F)
11. DEFROST : N/A
12. COMPRESSOR:1/3 HP, REFERIGERANT R 134A
13. TEMPERATURE RANGE: 1° TO 12°C
14. AVERAGE TEMERATURE STABILITY: ±3°C
15. APPROVALS: UL/cUL
16. ELECTRICAL DATA:115V 60Hz / 5.8 AMPS
17. PLUG TYPE: NEMA 5-15P
18. TOTAL CAPACITY: 23 Cuft
19. SHIPPING WEIGHT: 136KG (300LBS).

<p>ThermoFisher SCIENTIFIC 275 AIKEN ROAD ASHEVILLE, NC 28804</p>	<p>THE INFORMATION CONTAINED HEREIN IS THE PROPRIETARY DATA OF THERMO FISHER SCIENTIFIC. IT IS NOT TO BE REPRODUCED OR DISCLOSED IN WHOLE OR IN PART WITHOUT PRIOR WRITTEN CONSENT OF THERMO FISHER SCIENTIFIC. DO NOT SCALE THIS DRAWING.</p>												
<p>TITLE REFRIGERATOR SOLID DOOR 25 cuFt</p>													
<table border="1" style="width: 100%; border-collapse: collapse;"> <tr> <td style="width: 10%; text-align: center;">-</td> <td style="width: 10%; text-align: center;">-</td> <td style="width: 10%; text-align: center;">-</td> <td style="width: 70%;">SEE SHEET 1</td> </tr> <tr> <td style="text-align: center;">REV.</td> <td style="text-align: center;">ECN #</td> <td style="text-align: center;">DATE</td> <td style="text-align: center;">DESCRIPTION</td> </tr> <tr> <td colspan="4" style="text-align: center;">REVISIONS</td> </tr> </table>	-	-	-	SEE SHEET 1	REV.	ECN #	DATE	DESCRIPTION	REVISIONS				<p>3rd ANGLE PROJECTION DWG. NO. MR25PA-SARE</p> <p>SIZE S SHEET 2 OF 2</p>
-	-	-	SEE SHEET 1										
REV.	ECN #	DATE	DESCRIPTION										
REVISIONS													



ThermoFisher
SCIENTIFIC
 275 AIKEN ROAD
 ASHEVILLE, NC 28804

THE INFORMATION CONTAINED HEREIN IS THE PROPRIETARY DATA OF THERMO FISHER SCIENTIFIC. IT IS NOT TO BE REPRODUCED OR DISCLOSED IN WHOLE OR IN PART WITHOUT PRIOR WRITTEN CONSENT OF THERMO FISHER SCIENTIFIC. DO NOT SCALE THIS DRAWING.

TITLE **REFRIGERATOR
 SOLID DOOR
 25 cuFt**

3rd ANGLE PROJECTION  DWG. NO. **MR25PA-SAAE**

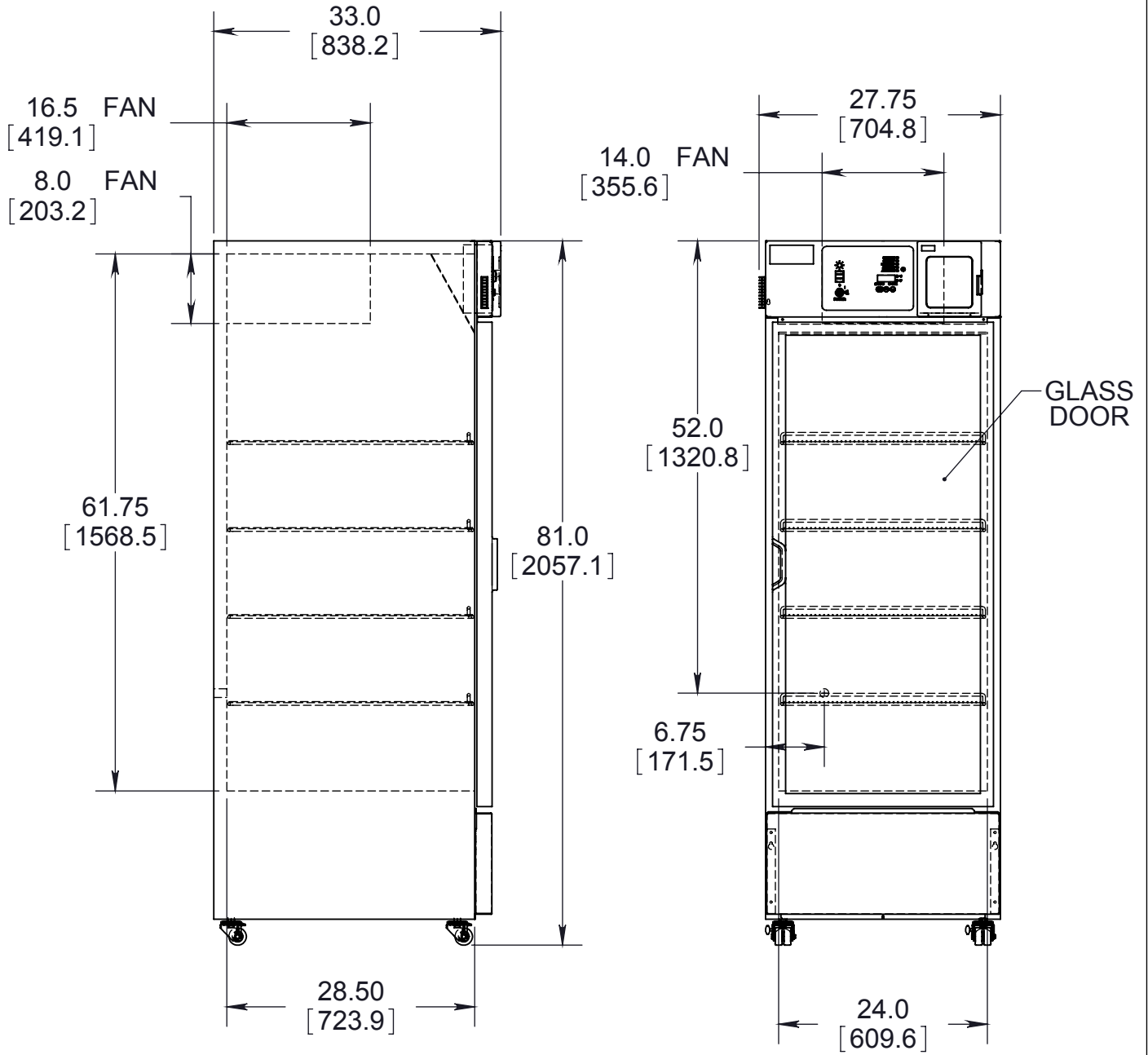
SIZE **S** SHEET 1 OF 2

REV.	ECN #	DATE	DESCRIPTION
-	60088	2011-04-01	INITIAL RELEASE
REVISIONS			

GENERAL SPECIFICATIONS

1. EXTERIOR FINISH: PAINTED WHITE
2. EXTERIOR DIMENSIONS:
WIDTH 704.8mm(27.75") DEPTH 857.3mm(33.75") HEIGHT 2057.1mm(81.0")
3. INTERIOR FINISH: PAINTED WHITE
4. INTERIOR DIMENSIONS:
WIDTH 609.6mm(24") DEPTH 723.9mm(28.5") HEIGHT 1568.5mm(61.75")
5. INSULATION: FOAMED IN PLACE, CFC AND HCFC-FREE POLYURETHANE
6. GASKET: MAGNETIC
7. DOOR: SOLID STAINLESS STEEL DOOR SINGLE, KEY LOCK
8. SHELVES: WHITE-4 WIRE, EPOXY COATED, ADJUSTABLE IN 1/2" INCREMENTS.
9. CASTERS: 4 STEM MOUNT
10. CONTROLLER: DIGITAL, FACTORY PRESET TO +4°C (39°F)
11. DEFROST : N/A
12. COMPRESSOR: 1/3 HP, REFERIGERANT R 134A
13. TEMPERATURE RANGE: 1° TO 12°C
14. AVERAGE TEMERATURE STABILITY: ±3°C
15. APPROVALS: UL/cUL
16. ELECTRICAL DATA: 115V 60Hz / 5.8 AMPS
17. PLUG TYPE: NEMA 5-15P
18. TOTAL CAPACITY: 23 Cuft
19. SHIPPING WEIGHT: 136KG (300LBS).

<p style="margin: 0;">ThermoFisher SCIENTIFIC 275 AIKEN ROAD ASHEVILLE, NC 28804</p>	<p>THE INFORMATION CONTAINED HEREIN IS THE PROPRIETARY DATA OF THERMO FISHER SCIENTIFIC. IT IS NOT TO BE REPRODUCED OR DISCLOSED IN WHOLE OR IN PART WITHOUT PRIOR WRITTEN CONSENT OF THERMO FISHER SCIENTIFIC. DO NOT SCALE THIS DRAWING.</p>																
<p>TITLE REFRIGERATOR SOLID DOOR 25 cuFt</p>																	
<table border="1" style="width: 100%; border-collapse: collapse;"> <tr> <td style="width: 10%; text-align: center;">-</td> <td style="width: 10%; text-align: center;">-</td> <td style="width: 10%; text-align: center;">-</td> <td style="width: 70%; text-align: center;">SEE SHEET 1</td> </tr> <tr> <td style="text-align: center;">REV.</td> <td style="text-align: center;">ECN #</td> <td style="text-align: center;">DATE</td> <td style="text-align: center;">DESCRIPTION</td> </tr> <tr> <td colspan="4" style="text-align: center;">REVISIONS</td> </tr> </table>	-	-	-	SEE SHEET 1	REV.	ECN #	DATE	DESCRIPTION	REVISIONS				<table border="1" style="width: 100%; border-collapse: collapse;"> <tr> <td style="width: 30%; padding: 2px;"> 3rd ANGLE PROJECTION </td> <td style="width: 20%; padding: 2px;"> DWG. NO. MR25PA-SAAE </td> </tr> <tr> <td style="padding: 2px;"> SIZE S </td> <td style="padding: 2px;"> SHEET 2 OF 2 </td> </tr> </table>	3rd ANGLE PROJECTION	DWG. NO. MR25PA-SAAE	SIZE S	SHEET 2 OF 2
-	-	-	SEE SHEET 1														
REV.	ECN #	DATE	DESCRIPTION														
REVISIONS																	
3rd ANGLE PROJECTION	DWG. NO. MR25PA-SAAE																
SIZE S	SHEET 2 OF 2																

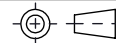


ThermoFisher
SCIENTIFIC
 275 AIKEN ROAD
 ASHEVILLE, NC 28804

THE INFORMATION CONTAINED HEREIN IS THE PROPRIETARY DATA OF THERMO FISHER SCIENTIFIC. IT IS NOT TO BE REPRODUCED OR DISCLOSED IN WHOLE OR IN PART WITHOUT PRIOR WRITTEN CONSENT OF THERMO FISHER SCIENTIFIC. DO NOT SCALE THIS DRAWING.

TITLE **REFRIGERATOR
 GLASS DOOR
 25 cuFt**

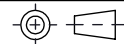
REV.	ECN #	DATE	DESCRIPTION
-	60088	2011-02-10	INITIAL RELEASE
REVISIONS			

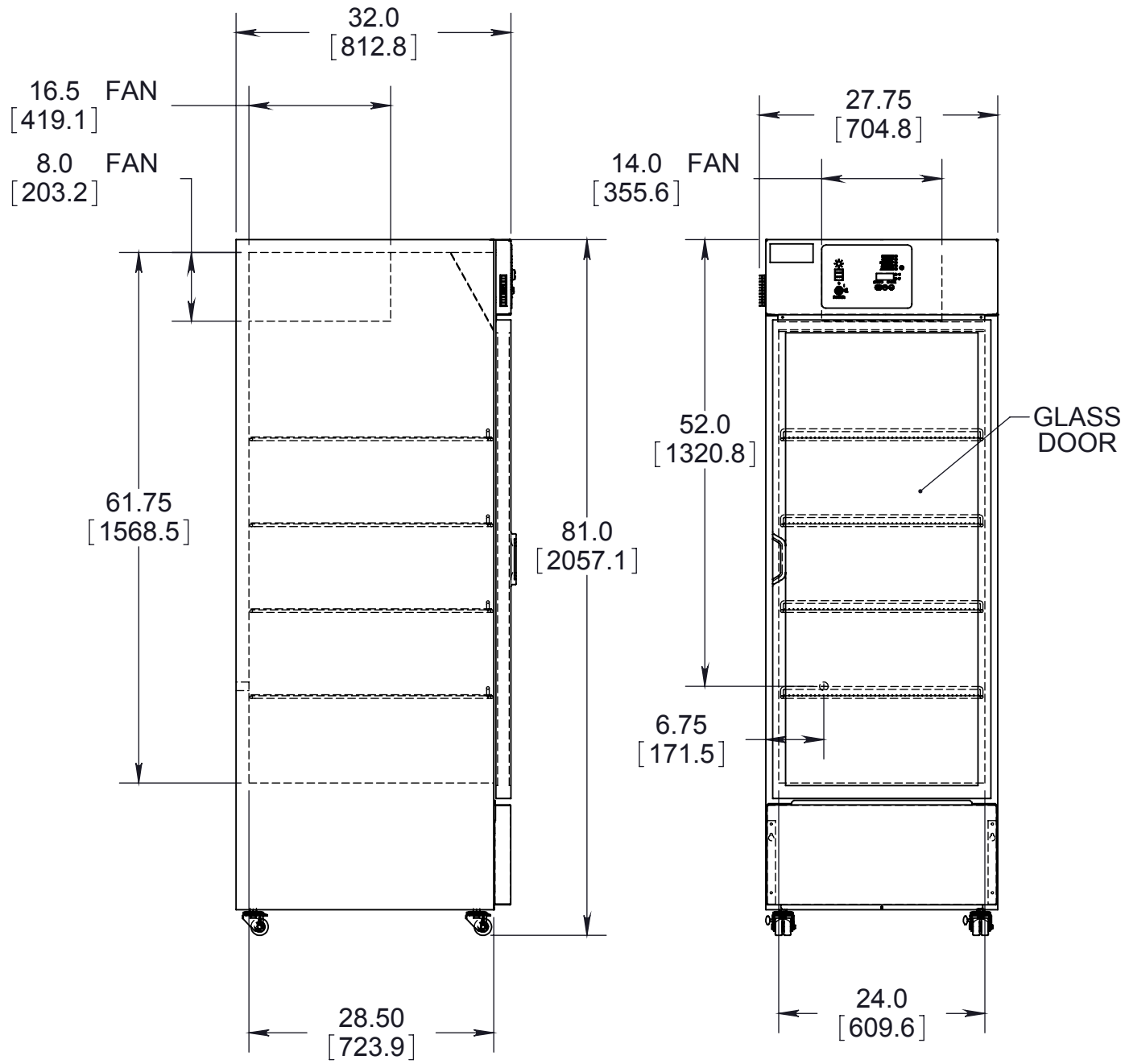
3rd ANGLE PROJECTION 	DWG. NO.
SIZE S SHEET 1 OF 2	MR25PA-GARE

GENERAL SPECIFICATIONS

1. EXTERIOR: PAINTED WHITE
2. EXTERIOR DIMENSIONS:
WIDTH 704.8mm(27.75") DEPTH 838.2mm(33") HEIGHT 2057.1mm(81")
3. INTERIOR: PAINTED WHITE
4. INTERIOR DIMENSIONS:
WIDTH 609.6mm(24") DEPTH 723.9mm(28.5") HEIGHT 1568.5mm(61.75")
5. INSULATION: FOAMED IN PLACE, CFC AND HCFC-FREE POLYURETHANE
6. GASKET: MAGNETIC
7. DOOR: GLASS DOOR SINGLE, KEY LOCK
8. SHELVES: WHITE-4 WIRE, EPOXY COATED, ADJUSTABLE IN 1/2" INCREMENTS.
9. CASTERS: 4 STEM MOUNT
10. CONTROLLER: DIGITAL, FACTORY PRESET TO +4°C (39°F)
11. DEFROST: N/A
12. COMPRESSOR: 1/3 HP, REFERIGERANT R 134A
13. TEMPERATURE RANGE: 1 TO 12°C
14. AVERAGE TEMERATURE STABILITY: ±3°C
15. APPROVALS: UL/cUL
16. ELECTRICAL DATA: 115V 60Hz / 5.8 AMPS
17. PLUG TYPE: NEMA 5-15P
18. TOTAL CAPACITY: 23 CuFt
19. SHIPPING WEIGHT: 136KG (300LBS).

REV.	ECN #	DATE	DESCRIPTION
-	-	-	SEE SHEET 1
REVISIONS			

ThermoFisher S C I E N T I F I C 275 AIKEN ROAD ASHEVILLE, NC 28804		THE INFORMATION CONTAINED HEREIN IS THE PROPRIETARY DATA OF THERMO FISHER SCIENTIFIC. IT IS NOT TO BE REPRODUCED OR DISCLOSED IN WHOLE OR IN PART WITHOUT PRIOR WRITTEN CONSENT OF THERMO FISHER SCIENTIFIC. DO NOT SCALE THIS DRAWING.
TITLE REFRIGERATOR GLASS DOOR 25 cuFt		
3rd ANGLE PROJECTION 	DWG. NO.	MR25PA-GARE
SIZE S	SHEET 2 OF 2	



ThermoFisher
SCIENTIFIC
 275 AIKEN ROAD
 ASHEVILLE, NC 28804

THE INFORMATION CONTAINED HEREIN IS THE PROPRIETARY DATA OF THERMO FISHER SCIENTIFIC. IT IS NOT TO BE REPRODUCED OR DISCLOSED IN WHOLE OR IN PART WITHOUT PRIOR WRITTEN CONSENT OF THERMO FISHER SCIENTIFIC. DO NOT SCALE THIS DRAWING.

TITLE **REFRIGERATOR
 GLASS DOOR
 25 cuFt**

REV.	ECN #	DATE	DESCRIPTION
-	60088	2011-04-01	INITIAL RELEASE

3rd ANGLE PROJECTION  DWG. NO. **MR25PA-GAEE**

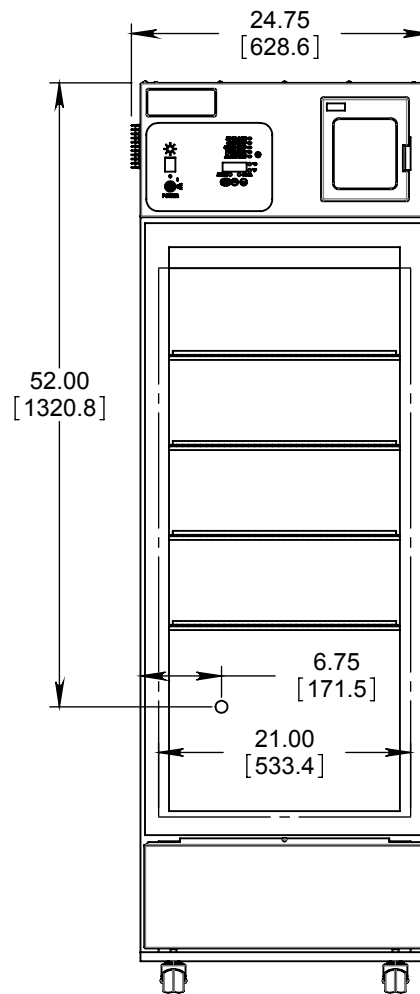
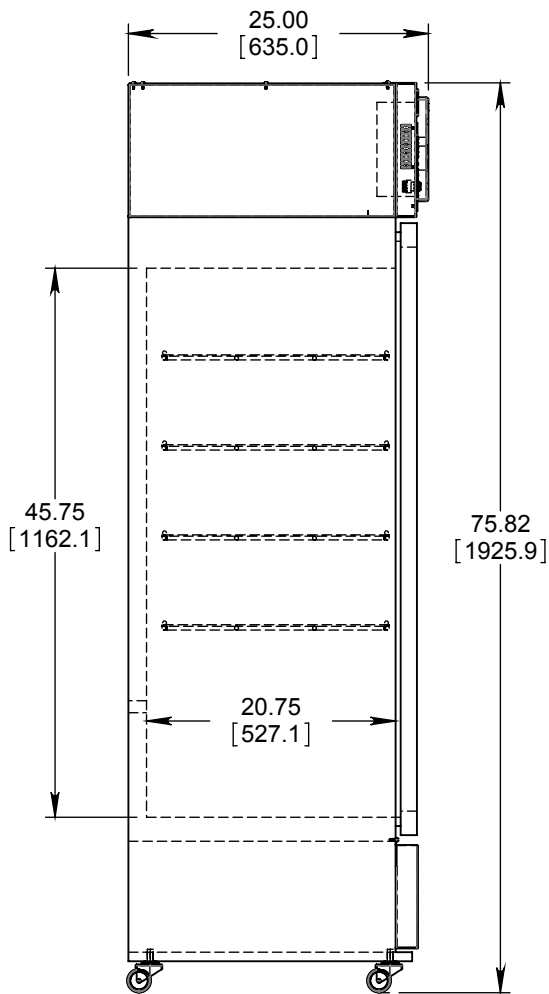
SIZE **S** SHEET 1 OF 2

REVISIONS

GENERAL SPECIFICATIONS

1. EXTERIOR FINISH: PAINTED WHITE
2. EXTERIOR DIMENSIONS:
WIDTH 704.8mm(27.75") DEPTH 812.8mm(32") HEIGHT 2057.1mm(81")
3. INTERIOR FINISH: PAINTED WHITE
4. INTERIOR DIMENSIONS:
WIDTH 609.6mm(24") DEPTH 723.9mm(28.5") HEIGHT 1568.5mm(61.75")
5. INSULATION: FOAMED IN PLACE, CFC AND HCFC-FREE POLYURETHANE
6. GASKET: MAGNETIC
7. DOOR: GLASS DOOR SINGLE, KEY LOCK, DOUBLE PANE, TEMPERED GLASS
8. SHELVES: WHITE-4 WIRE, EPOXY COATED, ADJUSTABLE IN 1/2" INCREMENTS.
9. CASTERS: 4 STEM MOUNT
10. CONTROLLER: DIGITAL, FACTORY PRESET TO +4 °C (39°F)
11. DEFROST: N/A
12. COMPRESSOR: 1/3 HP, REFERIGERANT R 134A
13. TEMPERATURE RANGE: 1 TO 12°C
14. AVERAGE TEMERATURE STABILITY: ±3°C
15. APPROVALS: UL/cUL
16. ELECTRICAL DATA: 115V 60Hz / 5.8 AMPS
17. PLUG TYPE: NEMA 5-15P
18. TOTAL CAPACITY: 23 CuFt
19. SHIPPING WEIGHT: 136KG (300LBS).

<p style="margin: 0;">ThermoFisher S C I E N T I F I C 275 AIKEN ROAD ASHEVILLE, NC 28804</p>	<p>THE INFORMATION CONTAINED HEREIN IS THE PROPRIETARY DATA OF THERMO FISHER SCIENTIFIC. IT IS NOT TO BE REPRODUCED OR DISCLOSED IN WHOLE OR IN PART WITHOUT PRIOR WRITTEN CONSENT OF THERMO FISHER SCIENTIFIC. DO NOT SCALE THIS DRAWING.</p>																		
<p>TITLE REFRIGERATOR GLASS DOOR 25 cuFt</p>																			
<table border="1" style="width: 100%; border-collapse: collapse;"> <tr> <td style="width: 10%; text-align: center;">-</td> <td style="width: 10%; text-align: center;">-</td> <td style="width: 10%; text-align: center;">-</td> <td style="width: 70%; text-align: center;">SEE SHEET1</td> </tr> <tr> <td style="text-align: center;">REV.</td> <td style="text-align: center;">ECN #</td> <td style="text-align: center;">DATE</td> <td style="text-align: center;">DESCRIPTION</td> </tr> <tr> <td colspan="4" style="text-align: center;">REVISIONS</td> </tr> </table>	-	-	-	SEE SHEET1	REV.	ECN #	DATE	DESCRIPTION	REVISIONS				<table border="1" style="width: 100%; border-collapse: collapse;"> <tr> <td style="width: 30%; padding: 2px;"> <p style="font-size: 8px;">3rd ANGLE PROJECTION</p> </td> <td style="width: 20%; text-align: center; padding: 2px;"> </td> <td style="width: 50%; padding: 2px;"> <p style="font-size: 8px;">DWG. NO.</p> <p style="font-size: 12px; margin: 0;">MR25PA-GAEE</p> </td> </tr> <tr> <td style="padding: 2px;"> <p style="font-size: 12px; margin: 0;">SIZE S</p> </td> <td colspan="2" style="padding: 2px;"> <p style="font-size: 8px; margin: 0;">SHEET 2 OF 2</p> </td> </tr> </table>	<p style="font-size: 8px;">3rd ANGLE PROJECTION</p>		<p style="font-size: 8px;">DWG. NO.</p> <p style="font-size: 12px; margin: 0;">MR25PA-GAEE</p>	<p style="font-size: 12px; margin: 0;">SIZE S</p>	<p style="font-size: 8px; margin: 0;">SHEET 2 OF 2</p>	
-	-	-	SEE SHEET1																
REV.	ECN #	DATE	DESCRIPTION																
REVISIONS																			
<p style="font-size: 8px;">3rd ANGLE PROJECTION</p>		<p style="font-size: 8px;">DWG. NO.</p> <p style="font-size: 12px; margin: 0;">MR25PA-GAEE</p>																	
<p style="font-size: 12px; margin: 0;">SIZE S</p>	<p style="font-size: 8px; margin: 0;">SHEET 2 OF 2</p>																		

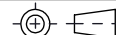


ThermoFisher
SCIENTIFIC
 275 AIKEN ROAD
 ASHEVILLE, NC 28804

THE INFORMATION CONTAINED HEREIN IS THE PROPRIETARY DATA OF THERMO FISHER SCIENTIFIC. IT IS NOT TO BE REPRODUCED OR DISCLOSED IN WHOLE OR IN PART WITHOUT PRIOR WRITTEN CONSENT OF THERMO FISHER SCIENTIFIC. DO NOT SCALE THIS DRAWING.

TITLE **REFRIGERATOR
 GLASS DOOR, 12 Cu. Ft.**

3rd ANGLE PROJECTION



DWG. NO.

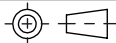
MR12PA-GARE

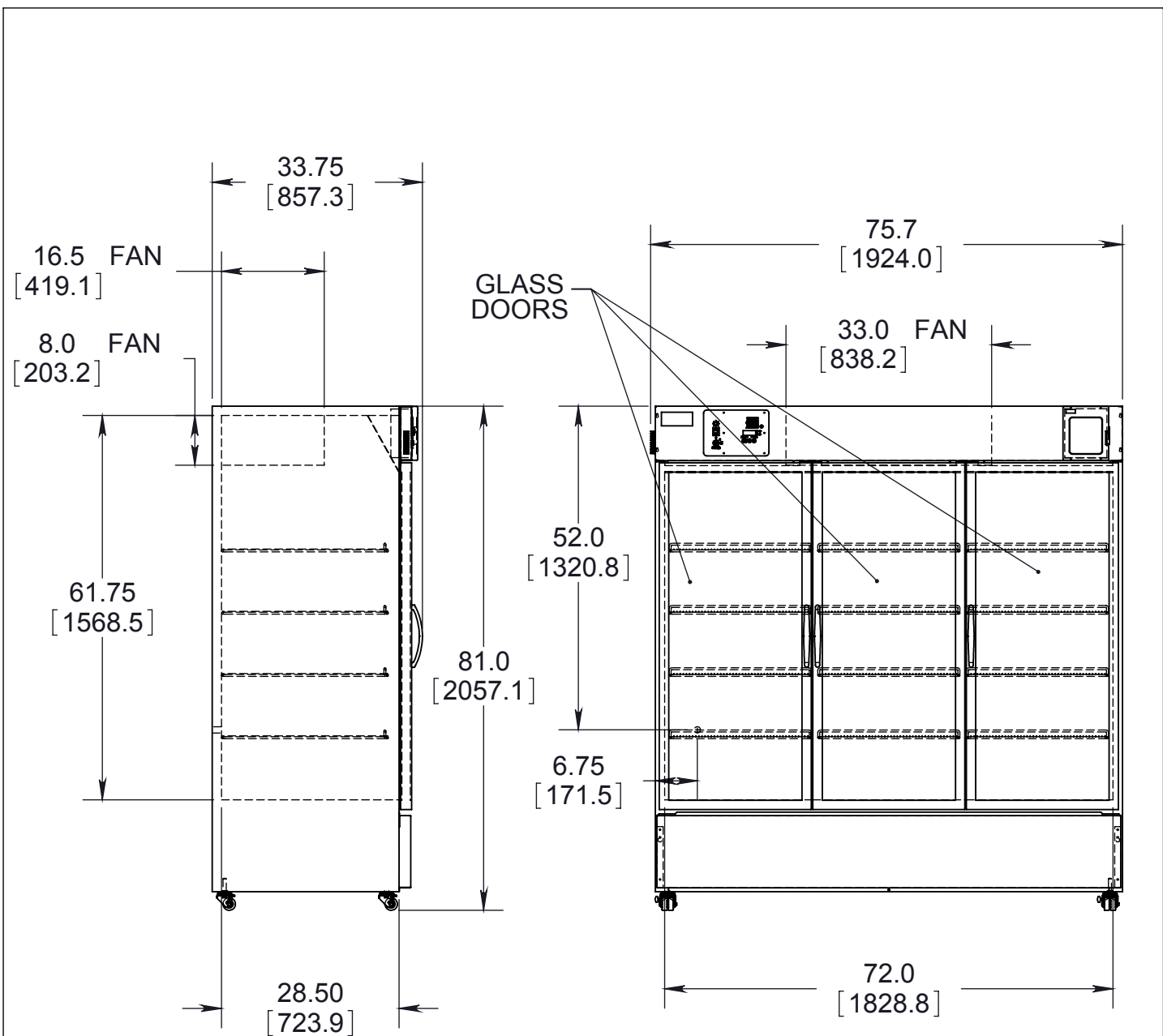
-	60088	4/29/11	INITIAL RELEASE
REV.	ECN #	DATE	DESCRIPTION
REVISIONS			

SIZE **S** SHEET 1 OF 2

GENERAL SPECIFICATIONS

1. EXTERIOR FINISH: PAINTED WHITE
2. EXTERIOR DIMENSIONS:
WIDTH 24.75" [628.6 mm], DEPTH 25.00" [635.0 mm], HEIGHT 75.82" [1925.9 mm]
3. INTERIOR FINISH: PAINTED WHITE
4. INTERIOR DIMENSION:
WIDTH 21.00" [533.4 mm], DEPTH 20.75" [527.1 mm], HEIGHT 45.75" [1162.1 mm]
5. INSULATION: FOAMED-IN-PLACE, CFC AND HCFC-FREE POLYURETHANE
6. GASKET: MAGNETIC
7. DOOR: DOUBLE PANE, TEMPERED GLASS
8. SHELVES: WHITE -4 WIRE, EPOXY COATED, ADJUSTABLE IN 1/2" INCREMENTS
9. CASTERS: 4 STEM MOUNT
10. CONTROLER: DIGITAL, FACTORY SET TO 4 °C (39 °F)
11. DEFROST: N/A
12. COMPRESSOR:1/6 HP, REFRIGERANT R134A
13. ELECTRICAL DATA: 115V 60Hz / 5.0 AMPS
14. PLUG TYPE: NEMA 5-15P
15. TOTAL CAPACITY: 12 Cu. Ft.
16. TEMPERATURE RANGE: 1 TO 12 °C
17. AVERAGE TEMPERATURE STABILITY: $\pm 3^{\circ}\text{C}$
18. APPROVALS: UL/cUL
19. SHIPPING WEIGHT:105 kg (230 lbs)

ThermoFisher S C I E N T I F I C 275 AIKEN ROAD ASHEVILLE, NC 28804		THE INFORMATION CONTAINED HEREIN IS THE PROPRIETARY DATA OF THERMO FISHER SCIENTIFIC. IT IS NOT TO BE REPRODUCED OR DISCLOSED IN WHOLE OR IN PART WITHOUT PRIOR WRITTEN CONSENT OF THERMO FISHER SCIENTIFIC. DO NOT SCALE THIS DRAWING.
TITLE REFRIGERATOR GLASS DOOR, 12 Cu. Ft.		
3rd ANGLE PROJECTION		DWG. NO. MR12PA-GARE
SIZE S	SHEET 2 OF 2	



ThermoFisher
SCIENTIFIC
 275 AIKEN ROAD
 ASHEVILLE, NC 28804

THE INFORMATION CONTAINED HEREIN IS THE PROPRIETARY DATA OF THERMO FISHER SCIENTIFIC. IT IS NOT TO BE REPRODUCED OR DISCLOSED IN WHOLE OR IN PART WITHOUT PRIOR WRITTEN CONSENT OF THERMO FISHER SCIENTIFIC. DO NOT SCALE THIS DRAWING.

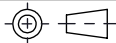
TITLE **REFRIGERATOR
 GLASS DOOR,72 CuFt**

REV.	ECN #	DATE	DESCRIPTION
-	60088	2011-04-05	INITIAL RELEASE
REVISIONS			

3rd ANGLE PROJECTION	DWG. NO.
SIZE S	MR72SS-GARE
SHEET 1 OF 2	

GENERAL SPECIFICATIONS

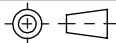
1. EXTERIOR FINISH: STAINLESS STEEL FRONT, PAINTED GRAY SIDES.
2. EXTERIOR DIMENSION:
WIDTH 1924.0mm(75.7") DEPTH 857.3mm(33.75") HEIGHT 2057.1mm(81")
3. INTERIOR FINISH: STAINLESS STEEL
4. INTERIOR DIMENSION:
WIDTH 1828.8mm(72") DEPTH 723.9mm(28.5") HEIGHT 1568.5mm(61.75")
5. INSULATION: FOAMED-IN-PLACE, CFC AND HCFC-FREE POLYURETHANE
6. GASKET: MAGNETIC
7. DOOR: DOUBLE PANE, TEMPERED GLASS TRIPLE DOOR, KEY LOCK
8. SHELVES: GRAY-12 WIRE, EPOXY COATED, ADJUSTABLE IN 1/2" INCREMENTS
9. CASTERS: 4 STEM MOUNT
10. CONTROLLER: DIGITAL, FACTORY SET TO 4°C (39°F)
11. DEFROST: N/A
12. COMPRESSOR: 1/2 HP, REFRIGERANT R 134A
13. ELECTRICAL DATA: 115V 60Hz / 9.9 AMPS
14. PLUG TYPE: NEMA 5-15P
15. TOTAL CAPACITY: 72 Cu.ft
16. TEMPERATURE RANGE: 1 TO 12°C
17. AVERAGE TEMPERATURE STABILITY: ± 3 °C
18. APPROVALS: UL/cUL
19. SHIPPING WEIGHT: 332KG (730 LBS).

ThermoFisher S C I E N T I F I C 275 AIKEN ROAD ASHEVILLE, NC 28804		THE INFORMATION CONTAINED HEREIN IS THE PROPRIETARY DATA OF THERMO FISHER SCIENTIFIC. IT IS NOT TO BE REPRODUCED OR DISCLOSED IN WHOLE OR IN PART WITHOUT PRIOR WRITTEN CONSENT OF THERMO FISHER SCIENTIFIC. DO NOT SCALE THIS DRAWING.
TITLE REFRIGERATOR GLASS DOOR,72 CuFt		
3rd ANGLE PROJECTION 	DWG. NO. MR72SS-GARE	
SIZE S	SHEET 2 OF 2	

REV.	ECN#	DATE	DESCRIPTION
-	-	-	SEE SHEET 1
REVISIONS			

GENERAL SPECIFICATIONS

1. EXTERIOR FINISH: PAINTED WHITE
2. EXTERIOR DIMENSIONS:
WIDTH 24.75" [628.6 mm], DEPTH 24.00" [609.6 mm], HEIGHT 75.82" [1925.9 mm]
3. INTERIOR FINISH: PAINTED WHITE
4. INTERIOR DIMENSION:
WIDTH 21.00" [533.4 mm], DEPTH 20.75" [527.1 mm], HEIGHT 45.75" [1162.1 mm]
5. INSULATION: FOAMED-IN-PLACE, CFC AND HCFC-FREE POLYURETHANE
6. GASKET: MAGNETIC
7. DOOR: DOUBLE PANE, TEMPERED GLASS
8. SHELVES: WHITE -4 WIRE, EPOXY COATED, ADJUSTABLE IN 1/2" INCREMENTS
9. CASTERS: 4 STEM MOUNT
10. CONTROLER: DIGITAL, FACTORY SET TO 4 °C (39 °F)
11. DEFROST: N/A
12. COMPRESSOR:1/6 HP, REFRIGERANT R134A
13. ELECTRICAL DATA: 115V 60Hz / 5.0 AMPS
14. PLUG TYPE: NEMA 5-15P
15. TOTAL CAPACITY: 12 Cu. Ft.
16. TEMPERATURE RANGE: 1 TO 12 °C
17. AVERAGE TEMPERATURE STABILITY: $\pm 3^{\circ}\text{C}$
18. APPROVALS: UL/cUL
19. SHIPPING WEIGHT:105 kg (230 lbs)

ThermoFisher S C I E N T I F I C 275 AIKEN ROAD ASHEVILLE, NC 28804		THE INFORMATION CONTAINED HEREIN IS THE PROPRIETARY DATA OF THERMO FISHER SCIENTIFIC. IT IS NOT TO BE REPRODUCED OR DISCLOSED IN WHOLE OR IN PART WITHOUT PRIOR WRITTEN CONSENT OF THERMO FISHER SCIENTIFIC. DO NOT SCALE THIS DRAWING.
TITLE REFRIGERATOR GLASS DOOR, 12 Cu. Ft.		
3rd ANGLE PROJECTION		DWG. NO. MR12PA-GAEE
SIZE S	SHEET 2 OF 2	