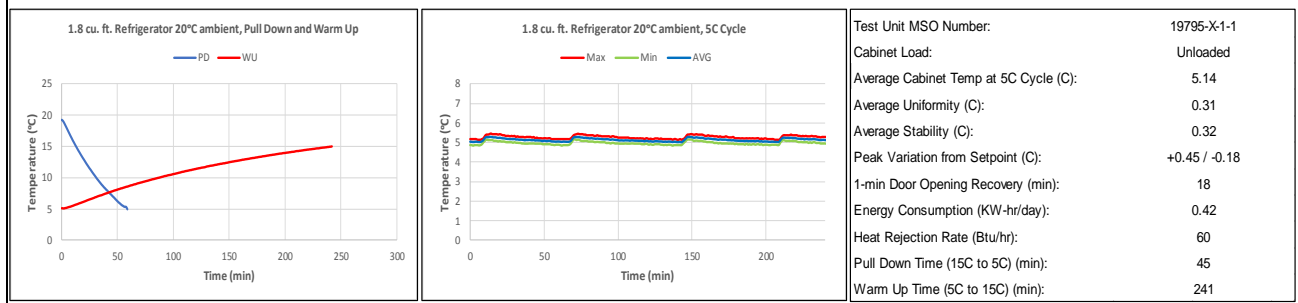
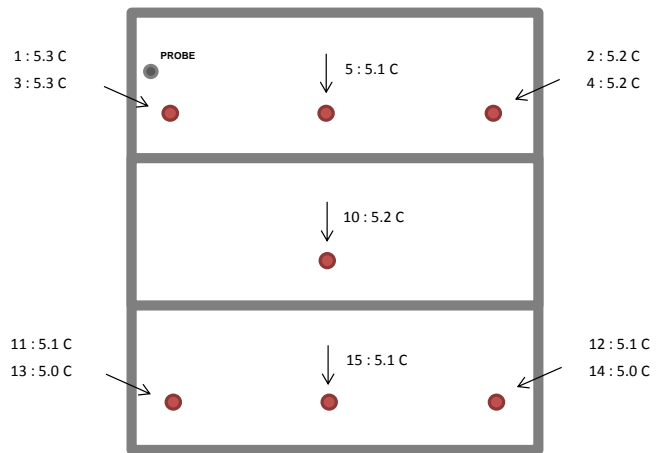
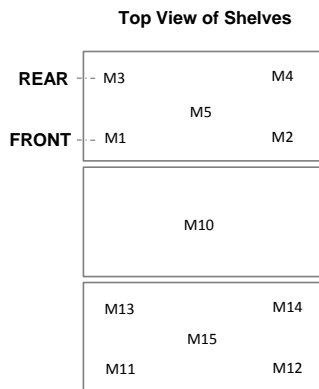


Specifications	Catalog Number
	TSG205SA
	Model Number
	TSG205SA
	Application, Rating and Electrical Data
Application	General Purpose Countertop Laboratory Grade Refrigerator
Storage Volume	1.8 cu. ft. (52 L)
Set Point Range/Adjustable in Increments of	+2°C to 8°C / 0.1°C
Electrical Power	115 VAC, 60 Hz
Instrument Rated Current	1.2 A
Building Supply Rating	Breaker 15 Amps/115V±10 Volt While Operating
Power Plug/Power Cord Length	NEMA 5-15P,1.828 Meters (6 Feet)
Agency Listings	cMETus
Indoor/Outdoor Usage	Indoor Use Only
Application Environment	Non-Corrosive, Non-Flammable, Non-Explosive, Good Air Ventilation, 10°C - 32°C (50°F - 90°F)
	Refrigeration Configuration
Refrigeration System	Thermoelectric Based Refrigeration System
Cooling System	50W Thermoelectric Heat Pump
Cold Side	Cold Wall Design with Internal Air Circulation Fan, R744 (CO ₂) as Refrigerant
Hot Side	Forced Air Heat-pipe Fin Tube Heat Exchanger with H ₂ O as working fluid
Defrost Method	Pre-programmed Automatic, Option for Manual Initiation Available
	Controller/Electrical System Configuration and Features
Controller Location	Front Mounted
Power Switch	No
Controller Type	2.4" Diagonal, 240 x 320 Pixels, 16 bit color TFT-LCD Display, Tactile Control Buttons
Control Sensor	(1) Air Thermistor
Display Temperature Sensors	Glycol as Default (Air/Glycol User-Selectable)
Remote Alarm Terminals	No
Alarms	Yes, Audible and Visual (Temperature Range, Door Ajar, No Power, Battery Low, Memory Full)
Data Logger	Inbuilt Data Logger, Data Accessible through USB Device
	Dimensions and Construction
Interior Dimensions (H x D x W)	467 mm X 310 mm x 363 mm (18.4" x 12.2" x 14.3")
Exterior Dimensions (H x D x W)	584 mm X 561 mm x 521 mm (23" x 22.1" x 20.5")
Insulation	CFC-free Polyurethane Foam
Door Perimeter heater	No
Shelves / Load Limit	(3) Adjustable / 12 kg (26.4 lbs) per Shelf
Leveling Feet	(4) Adjustable
Ship Weight	38 kg (83 lbs.)
Access port	Yes/1 rear access port accomodates 3.5 mm probe
	Typical Performance Characteristics



- 1) Performance is nominal and individual units may vary.
- 2) Refrigerator performance will differ due to product amount, product size and operating conditions.
- 3) Continuous product enhancements may, without notice, result in amendments or omissions to this specification. Thermo Scientific cannot accept responsibility for damage, injury, loss or expenses resulting from misapplication of the information herein.

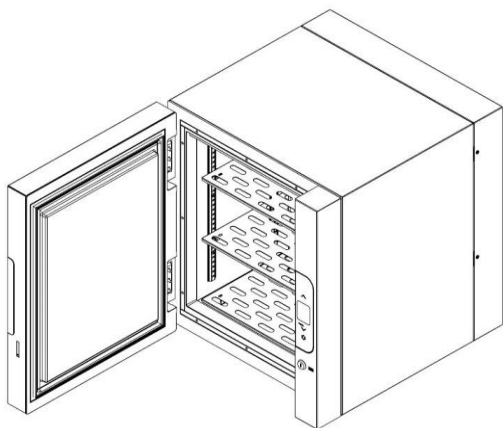
© 2017 Thermo Scientific Inc. All trademarks are the property of Thermo Scientific Inc. and its subsidiaries. Specifications, terms and pricing are subject to change. Not all products are available in all countries. Please consult your local sales representative for details.



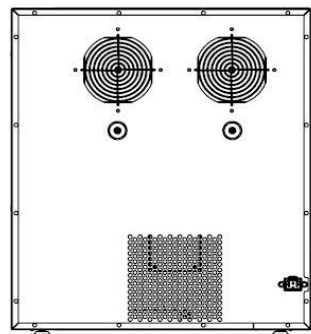
Cabinet Average : 5.14°C
Probe Average : 5.29°C
Peak Variation : +0.45 / -0.18°C

19795-X-1-1

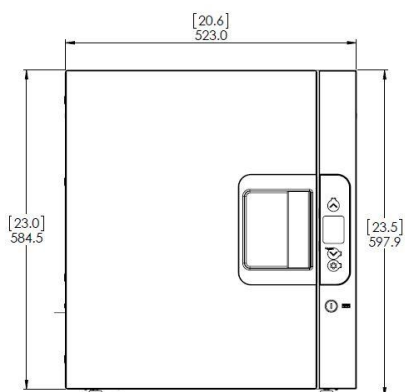
	M1	M2	M3	M4	M5	M10	M11	M12	M13	M14	M15
Avg	5.3	5.2	5.3	5.2	5.1	5.2	5.1	5.1	5.0	5.0	5.1
Max	5.4	5.4	5.5	5.4	5.3	5.3	5.3	5.3	5.2	5.2	5.2
Min	5.2	5.1	5.1	5.0	5.0	5.0	5.0	4.9	4.8	4.8	4.9



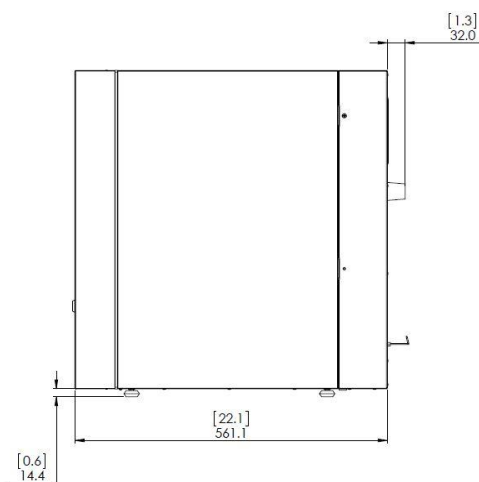
ISOMETRIC VIEW WITH DOOR OPEN



REAR VIEW



FRONT VIEW



SIDE VIEW

DO NOT USE FOR ENGINEERING PURPOSES
SUBJECT TO CHANGE WITHOUT NOTICE

GENERAL PURPOSE REFRIGERATOR