

# TouchIT LCD Duo Installation Guide



Chapter 1

# TouchIT LCD Duo

Inside the manual you will learn all about how to mount the TouchIT LCD Duo (and Pro) models of Interactive LCD.

For more information, please visit  
[www.touchittechnologies.com](http://www.touchittechnologies.com)



# Safety Instructions

## IMPORTANT SAFETY INSTRUCTIONS

**Please read these instructions carefully before using the product and keep them safe for future reference.**

## IMPORTANT SAFETY INSTRUCTIONS

1. Please read these instructions carefully before using the product and keep them safe for later reference.
2. Follow all warnings and instructions marked on the product.
3. Unplug this product from the wall outlet (power socket) before cleaning. Clean the product with a damp soft cloth. Do not use liquid or aerosol cleaners as it may cause permanent damage to the screen.
4. Caution of use varies from model to model; please observe appropriate operation as per model in use.
5. Do not place this product on an unstable cart, stand, or surface which may cause damage or harm to the product or individual.
6. Slots and openings on the cabinet, in the back cover or in the bottom, are for ventilation; to ensure reliable operation and to prevent from overheating, these openings must not be blocked or covered at any time. The openings should never be placed near or over a radiator, heat source, or placed in a built-in installation unless proper ventilation space (min. 2 inches/5cm of gap) is provided.

7. This product should be operated from the type of power indicated on the marking label. If you are not sure of the type of power available, consult your dealer or local service company.

8. This product is equipped with a 3-wire grounding type power plug, a plug having a third (grounding) pin. This plug will only fit into a grounding-type power outlet. This is a safety feature. If you do not have proper outlet to insert the plug, contact your electrician to replace your obsolete outlet. Do not break the ground pin and circumvent the grounding.

9. Do not allow anything to rest, or persons to walk on the power cord.

10. If an extension cord is used with this product, make sure that the total ampere rating plugged into the extension cord does not exceed the maximum ampere rating of the extension cord.

11. Never insert any object/tool of any kind through housing slots of this product as they may touch dangerous voltage points or short out components that could result in risk of fire or electric shock. Never spill liquid of any kind on the product (except IP-rated models).

12. Do not attempt to service this product yourself, always refer to qualified or authorized person for the servicing of this product.

13. Unplug this product from the wall outlet and contact a qualified service provider in the following circumstances:

When the power cord or plug is damaged, frayed or broken.

In the event that liquid has been spilled into the product (except IP-rated models).

# 32" Wall Mount

## CHAPTER CONTENTS

### Wall Mounting

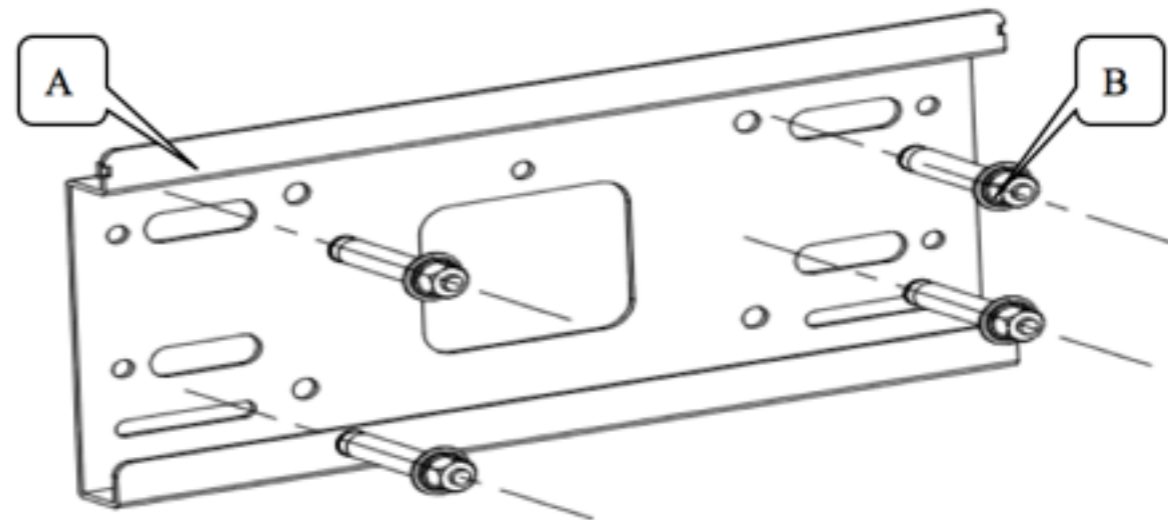
#### Step 1 :

Choose a wall appropriate for mounting.

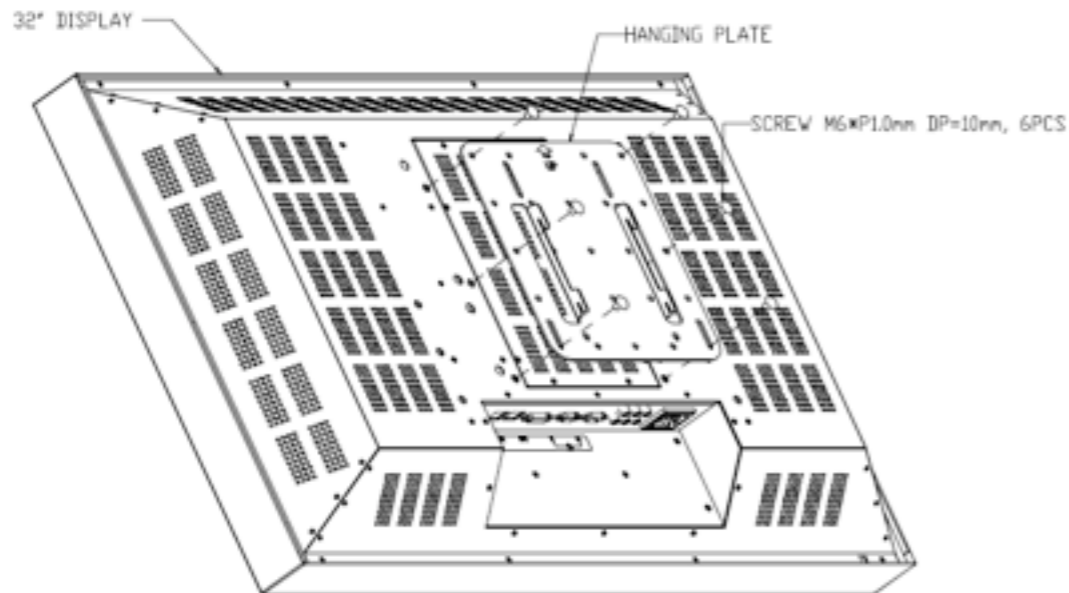
\*The thickness of wall is at least 5 cm or above.

\*Please confirm the material and strength of the wall is appropriate for mounting.

\* Use the expansion bolts (B) to fix the hanging bracket (A) on the wall.



### Step 2 :

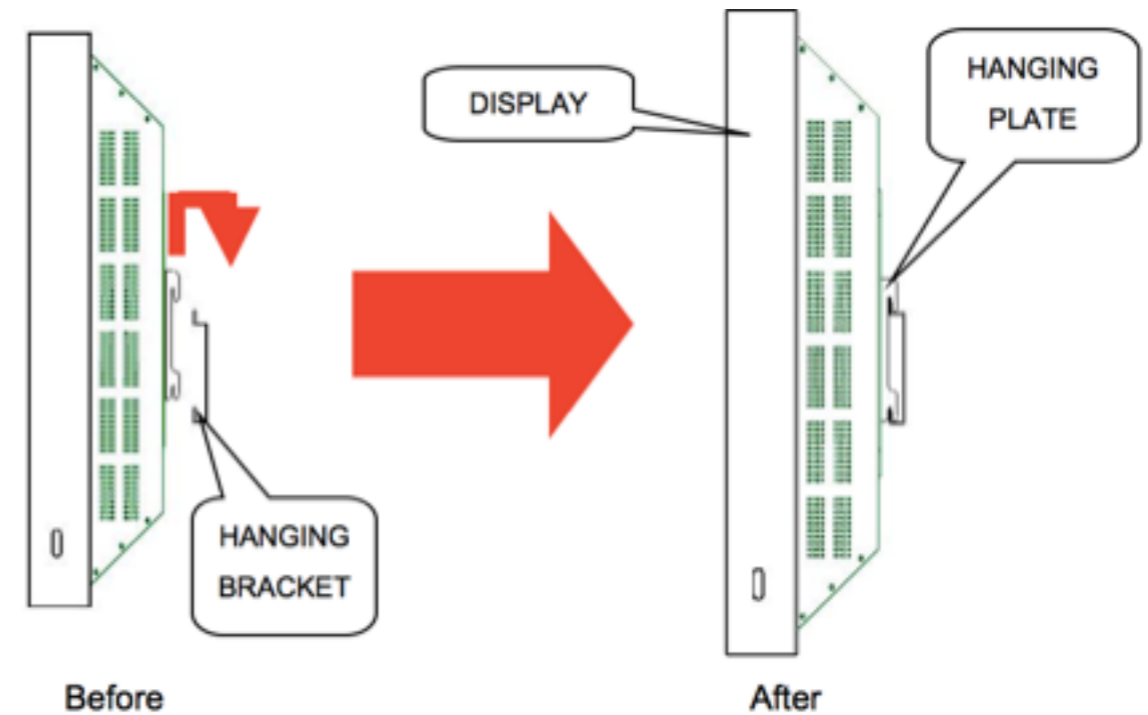


Mount the hanging plate (C) on the display.

- \* Please power off the display whilst mounting.
- \* Use screw to fix the hanging plate (C) on the display.

### Step 3 :

Suspend the display on the hanging bracket.



- \* Two adults should hold the display.
- \* Slowly lower the display on the hanging bracket.

\* Please check the hook from the hanging plate is attached to the hanging bracket.

# 42" to 55" Wall Mount

## CHAPTER CONTENTS

---

### Wall Mounting

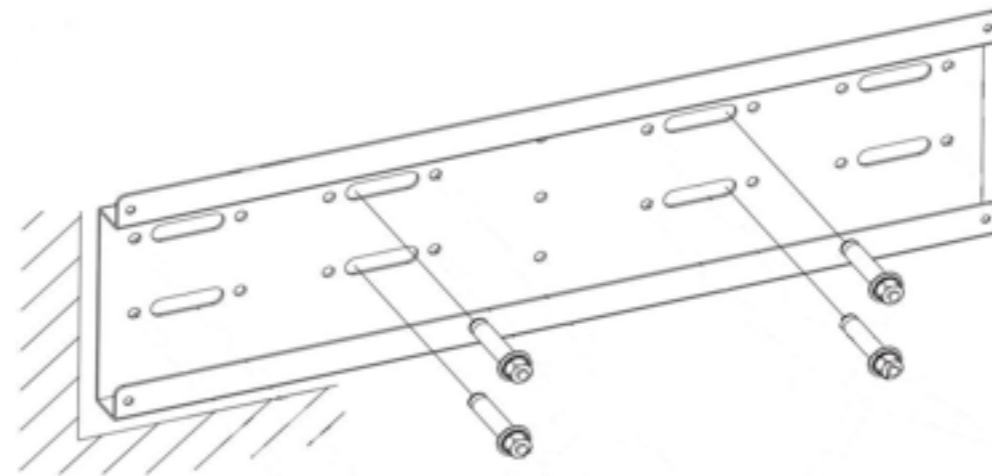
#### Step 1 :

Choose a wall appropriate for mounting.

\*The thickness of wall is at least 5 cm or above.

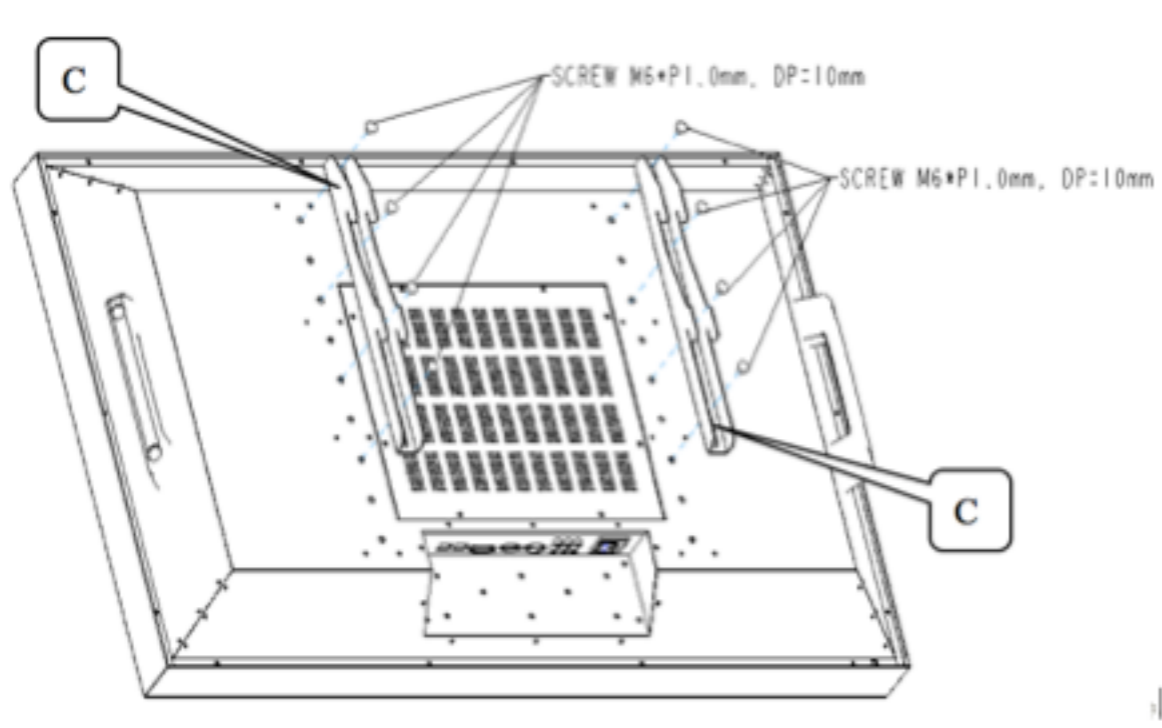
\*Please confirm the material and strength of the wall is appropriate for mounting.

\* Use the expansion bolts (B) to fix the hanging bracket (A) on the wall.





### Step 2 :



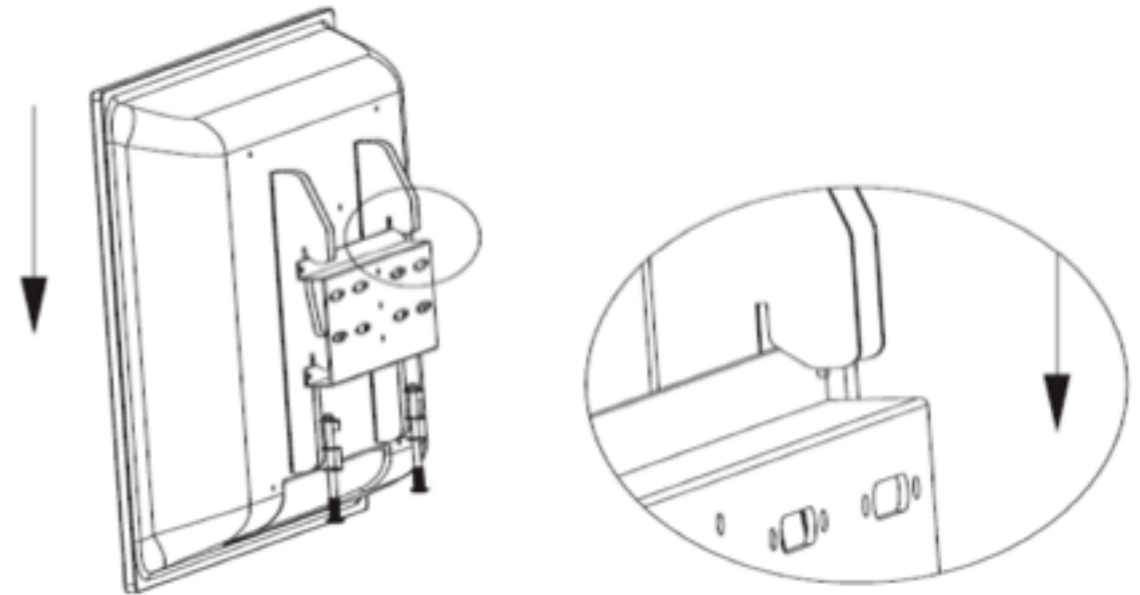
Mount the hanging plate (C) on the display.

- \* Please power off the display whilst mounting.
- \* Use screw to fix the hanging plate (C) on the display.

### Step 3 :

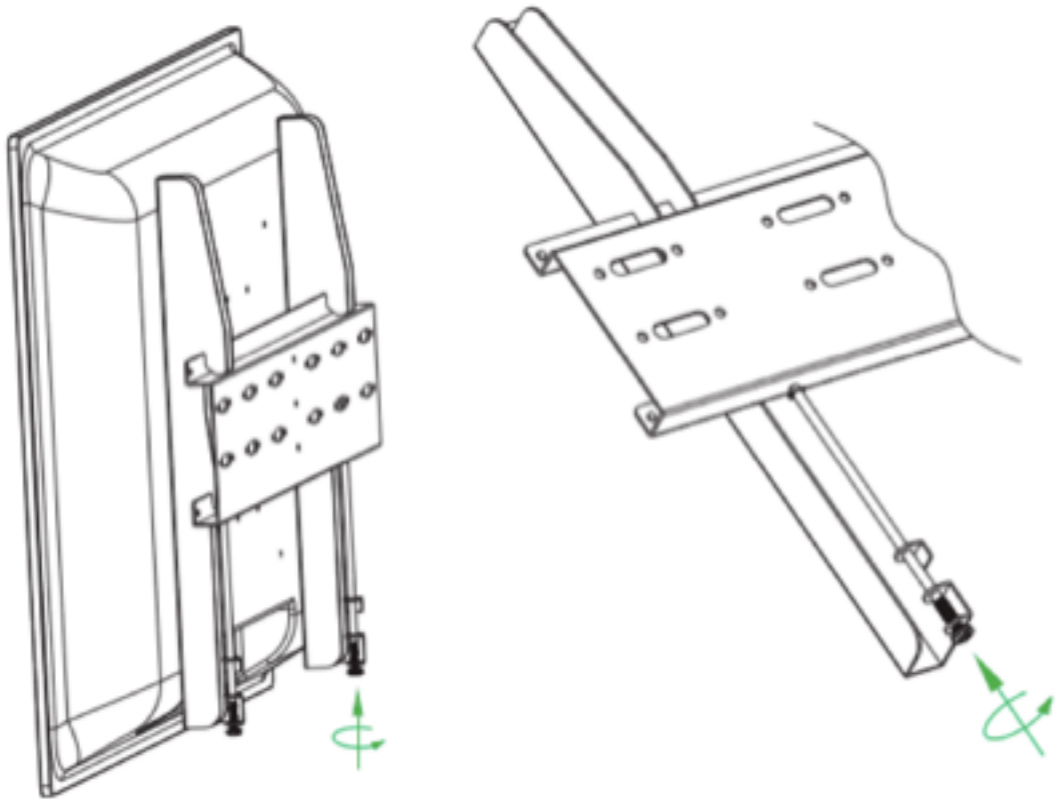
Suspend the display on the hanging bracket.

\*



Two adults should hold the display.

- \* Slowly lower the display on the hanging bracket.
- \* Please check the hook from the hanging plate is attached to the hanging bracket.



# 65" to 82" Wall Mount

## CHAPTER CONTENTS

### Wall Mounting

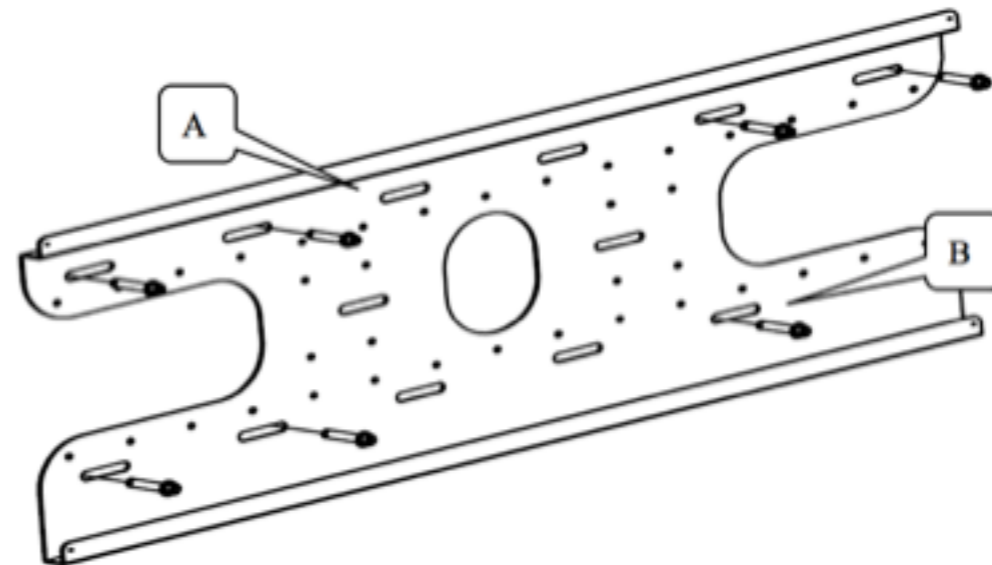
#### Step 1 :

Choose a wall appropriate for mounting.

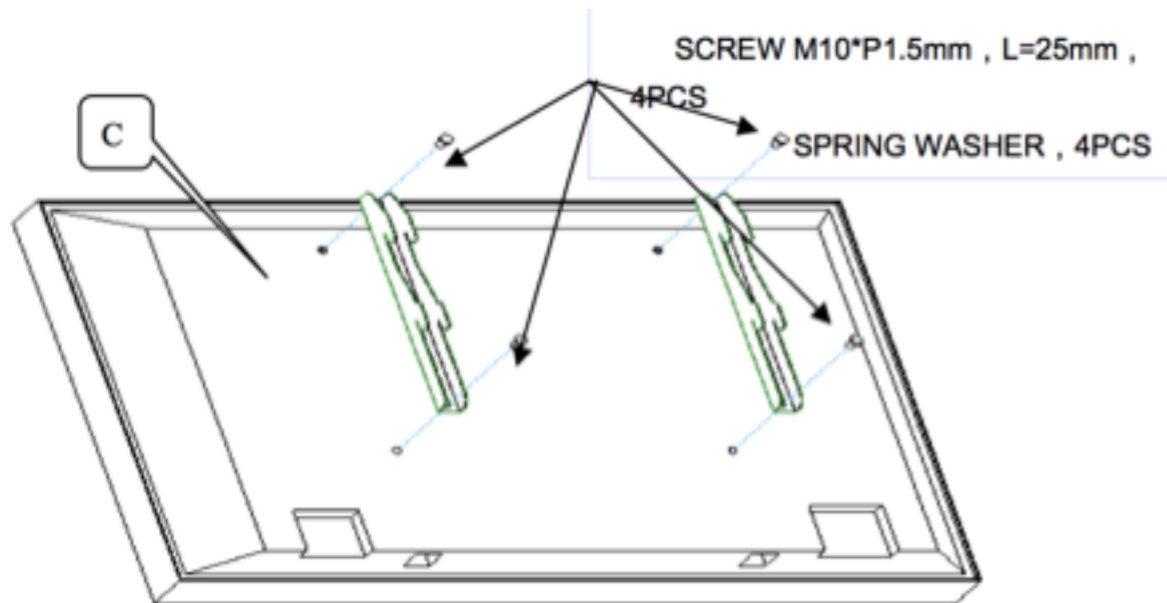
\*The thickness of wall is at least 5 cm or above.

\*Please confirm the material and strength of the wall is appropriate for mounting.

\* Use the expansion bolts (B) to fix the hanging bracket (A) on the wall.



### Step 2 :



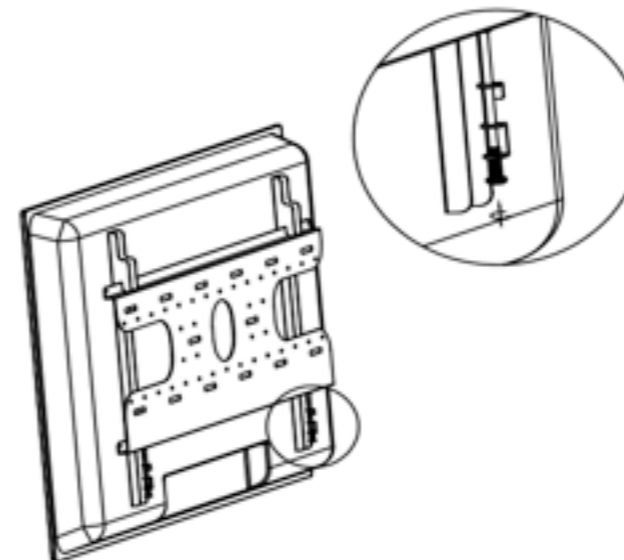
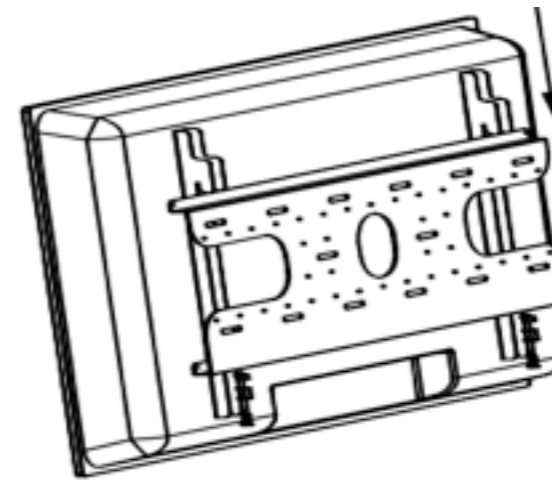
Mount the hanging plate (C) on the display.

- \* Please power off the display whilst mounting.
- \* Use screw to fix the hanging plate (C) on the display.

### Step 3 :

Suspend the display on the hanging bracket.

- \* Two adults should hold the display.
- \* Slowly lower the display on the hanging bracket.
- \* Please check the hook from the hanging plate is attached to the hanging bracket.



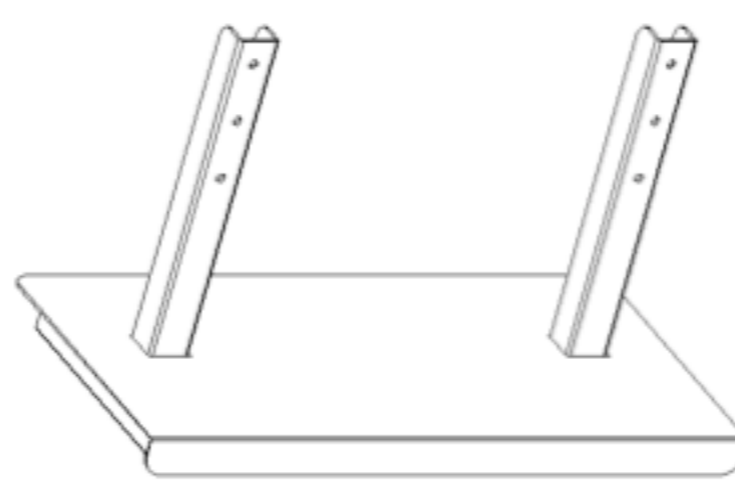
# 32" Table Top Stand

## CHAPTER CONTENTS

### Table Top Stand

Step 1 : Open the package and take out the stand.

Check the parts and the quantities, please see the picture below.



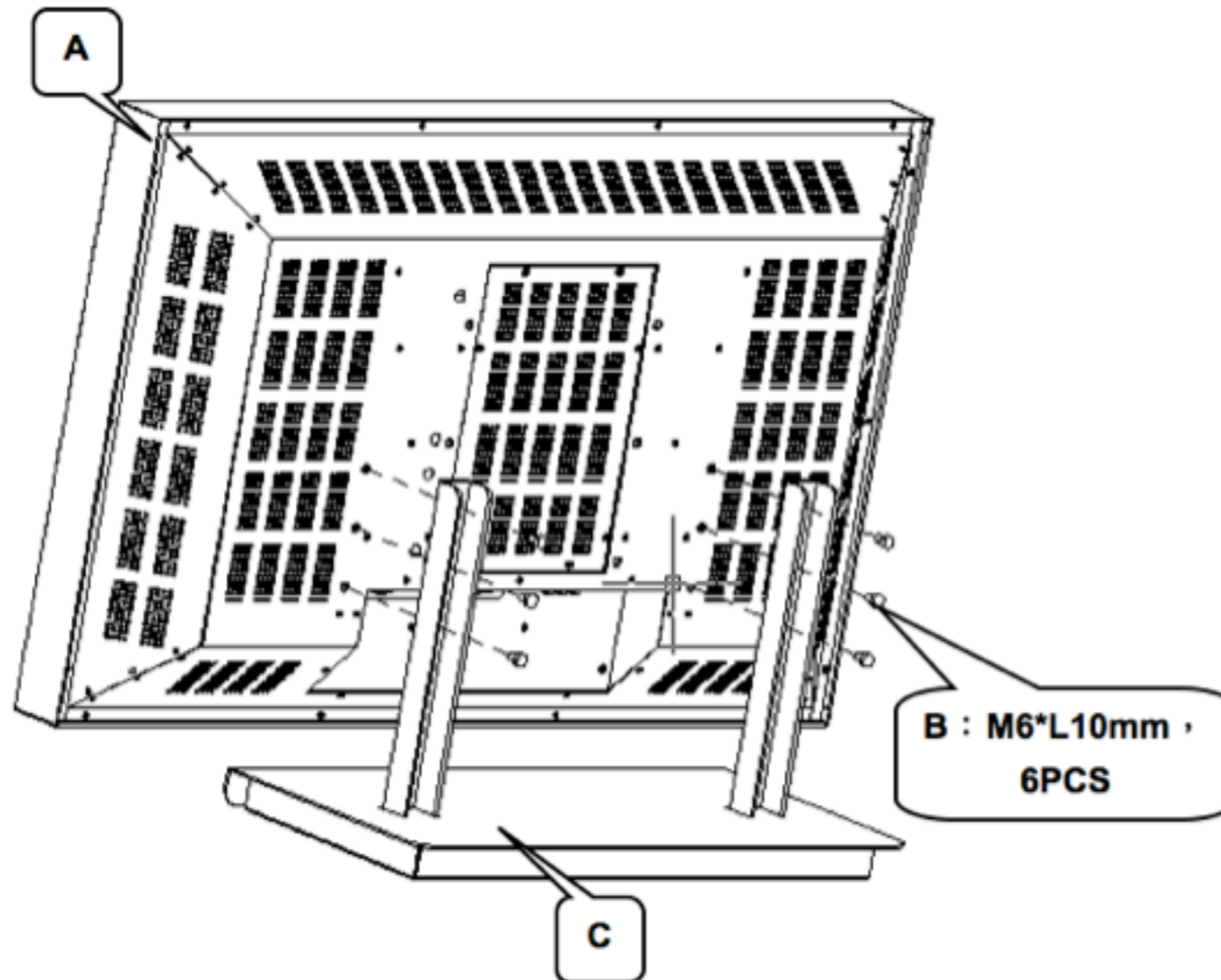
1、 32" Stand, 1PCS



2、 Screw M6\*L10mm, 6PCS

Step 2 : Mounting the display (A) on the stand.

\*Use screw (B) to fix the display on the stand (C) .



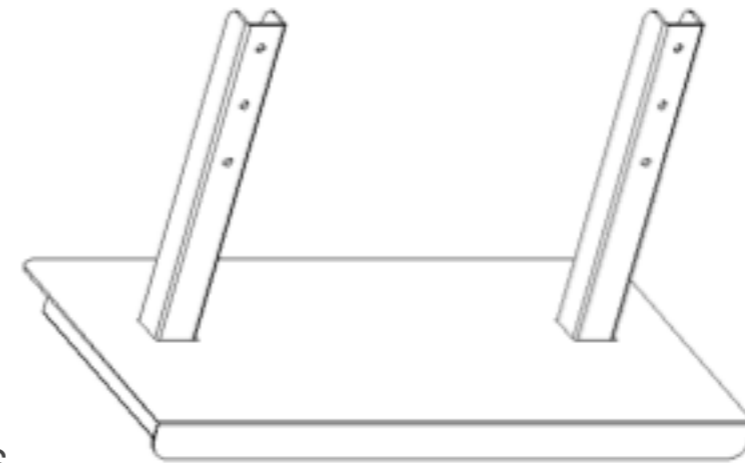
# 42" Table Top Stand

## CHAPTER CONTENTS

### Table Top Stand

Step 1 : Open the package and take out the stand.

Check the parts and the quantities, please see the picture below.



1、 32" Stand, 1PCS



2、 Screw M6\*L10mm, 6PCS



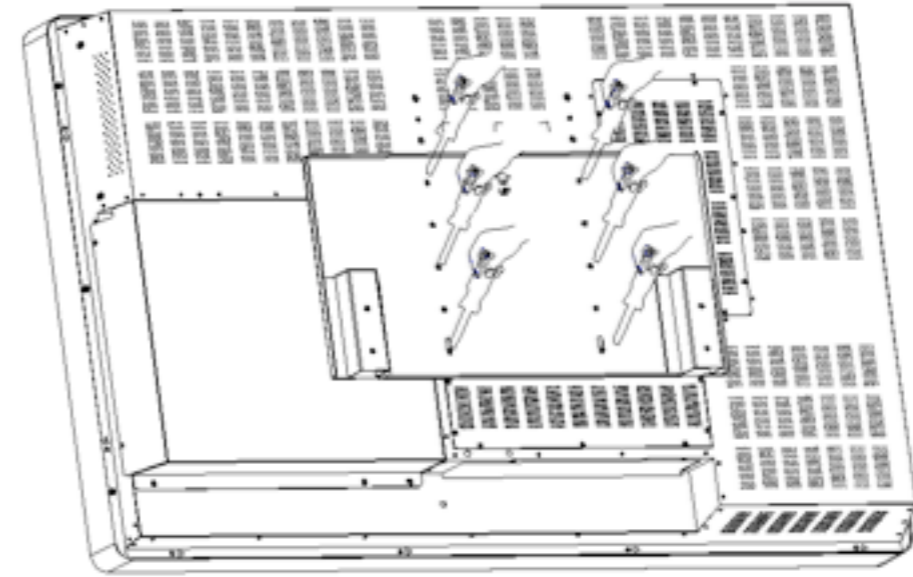
3、Screw M6\*L30mm, 4PCS



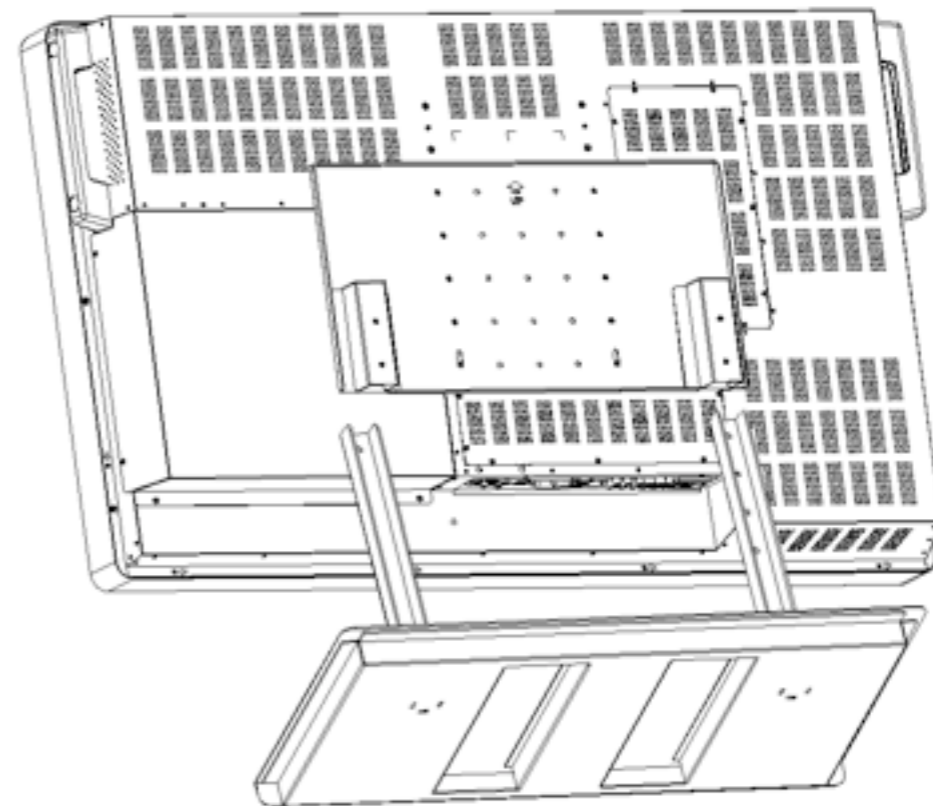
4、Stand holder(\*), 1PCS

Step 2 : Use screw size M6\*L10mm to fix the stand holder(\*) on the display.

(\*)Stand holder: The part is optional and comes with the stand which is sold separately.

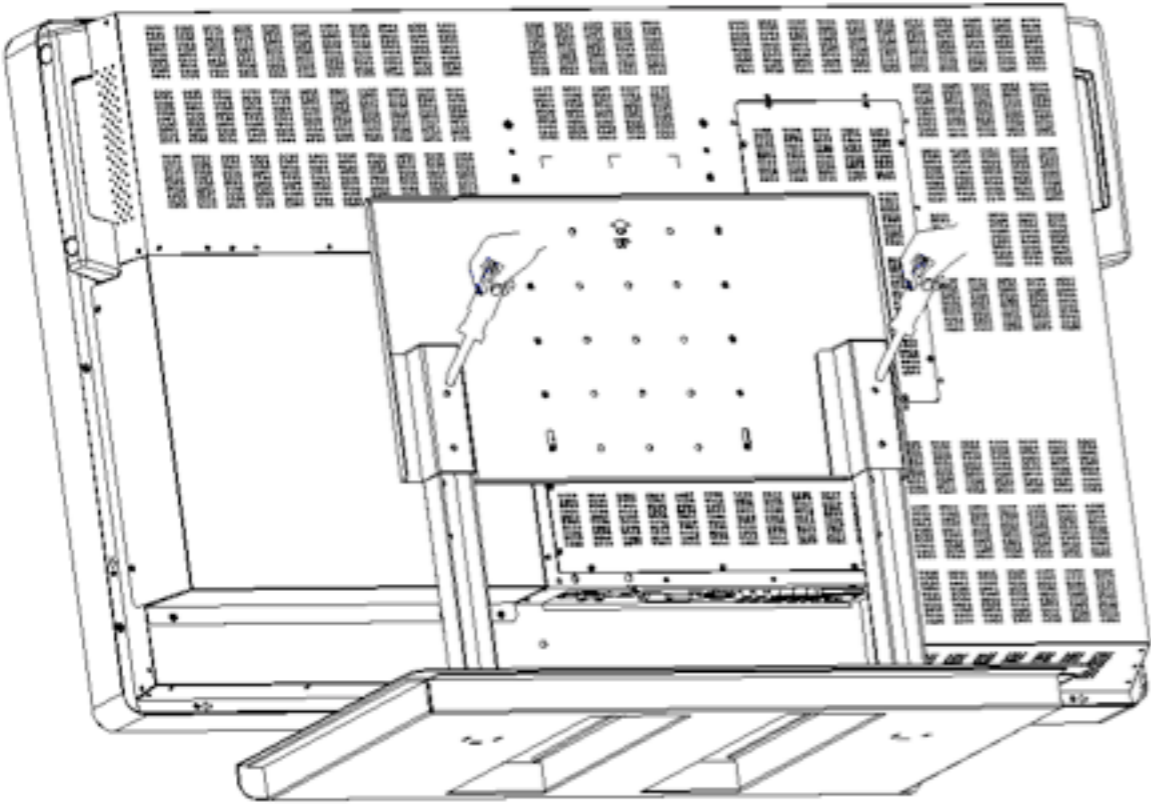


Step 3 : Insert the stand into the rectangular holes under the stand holder as shown in the picture below.





Step 4 : Use screw sized M6\*L30mm to fix the display on the stand as below picture.



# 46" Table Top Stand

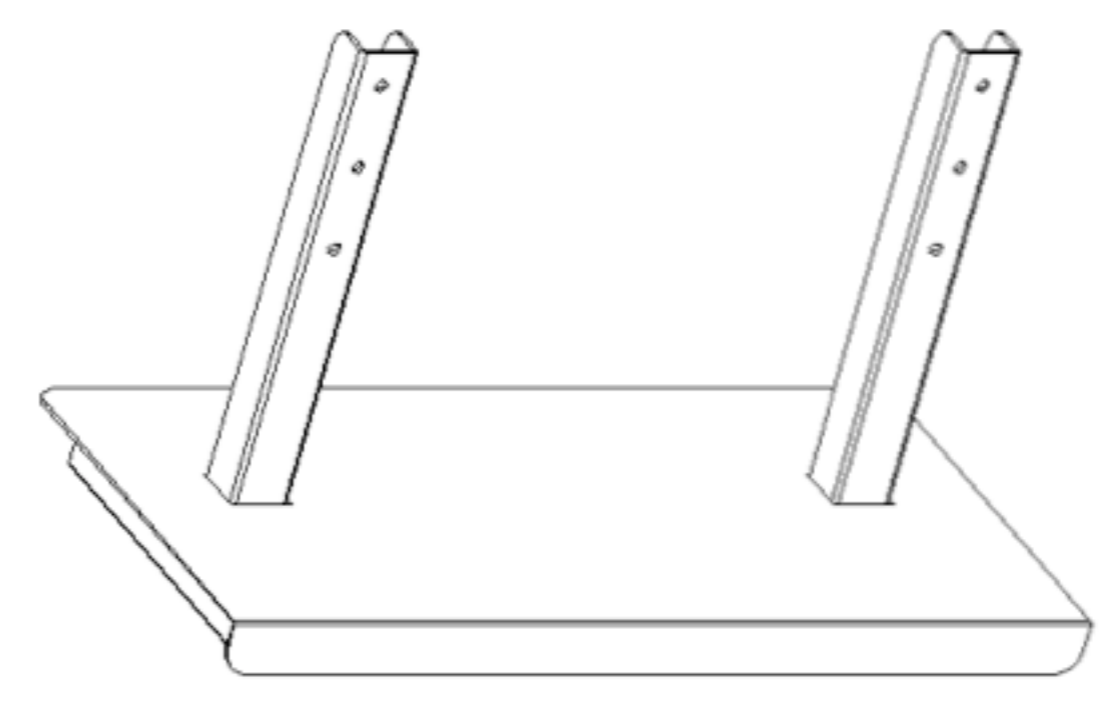
## CHAPTER CONTENTS

---

### Table Top Stand

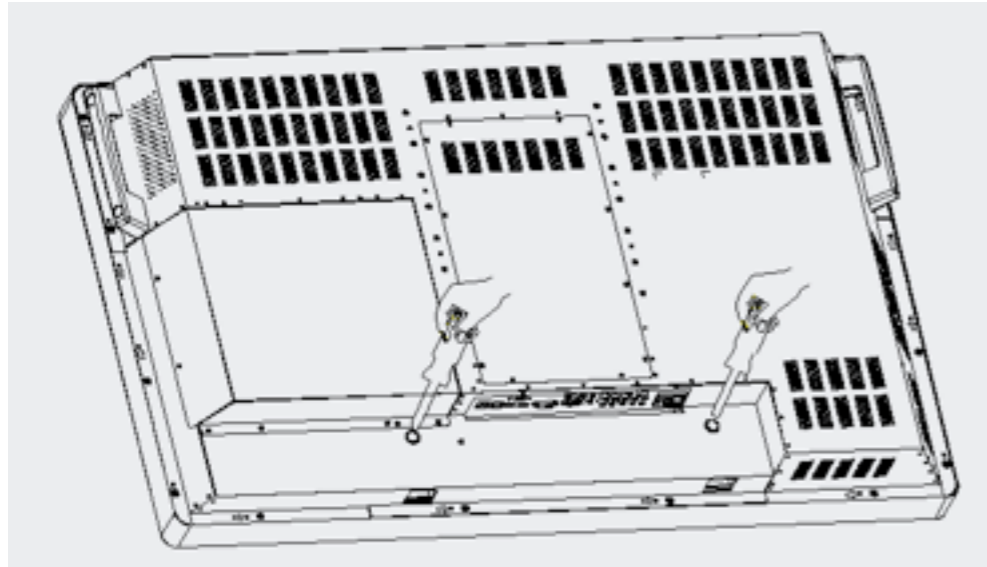
Step 1 : Open the package and take out the stand.

Check the parts and the quantities, please see the picture below.

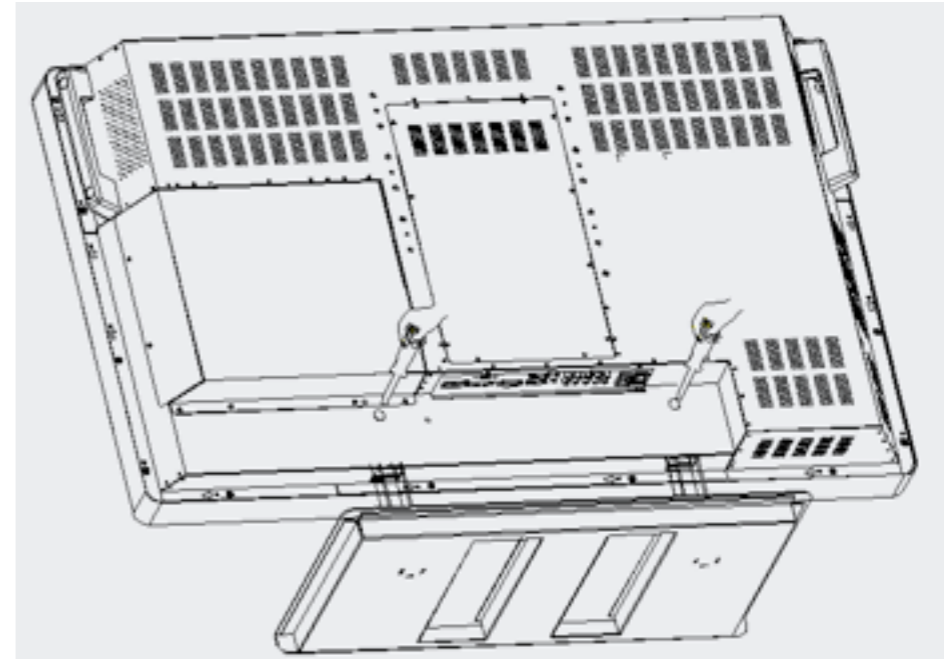


1、 Stand, 1PCS

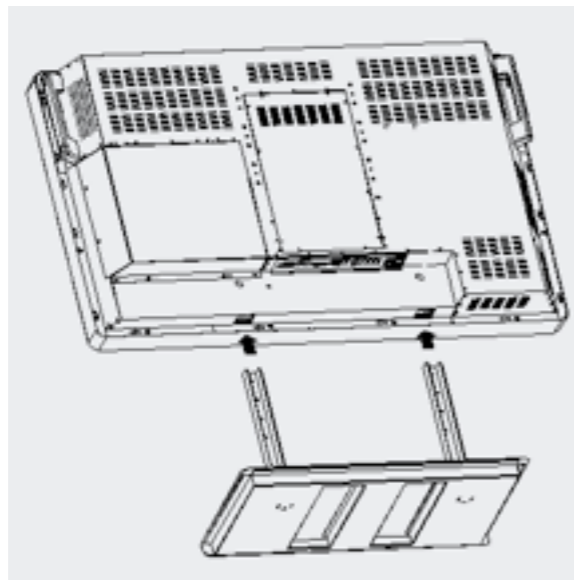
Step 2 : Remove the two screws on the rear side of the display as shown in the picture below.



Step 4 : . Use screws to fix the display on the stand as shown in the picture below.



Step 3 : Insert the stand into the rectangular holes under the monitor as shown in the picture below.



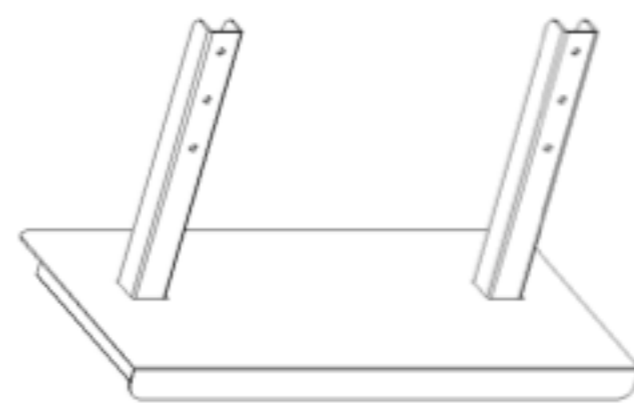
# 55" Table Top Stand

## CHAPTER CONTENTS

### Table Top Stand

Step 1 : Open the package and take out the stand.

Check the parts and the quantities, please see the picture below.



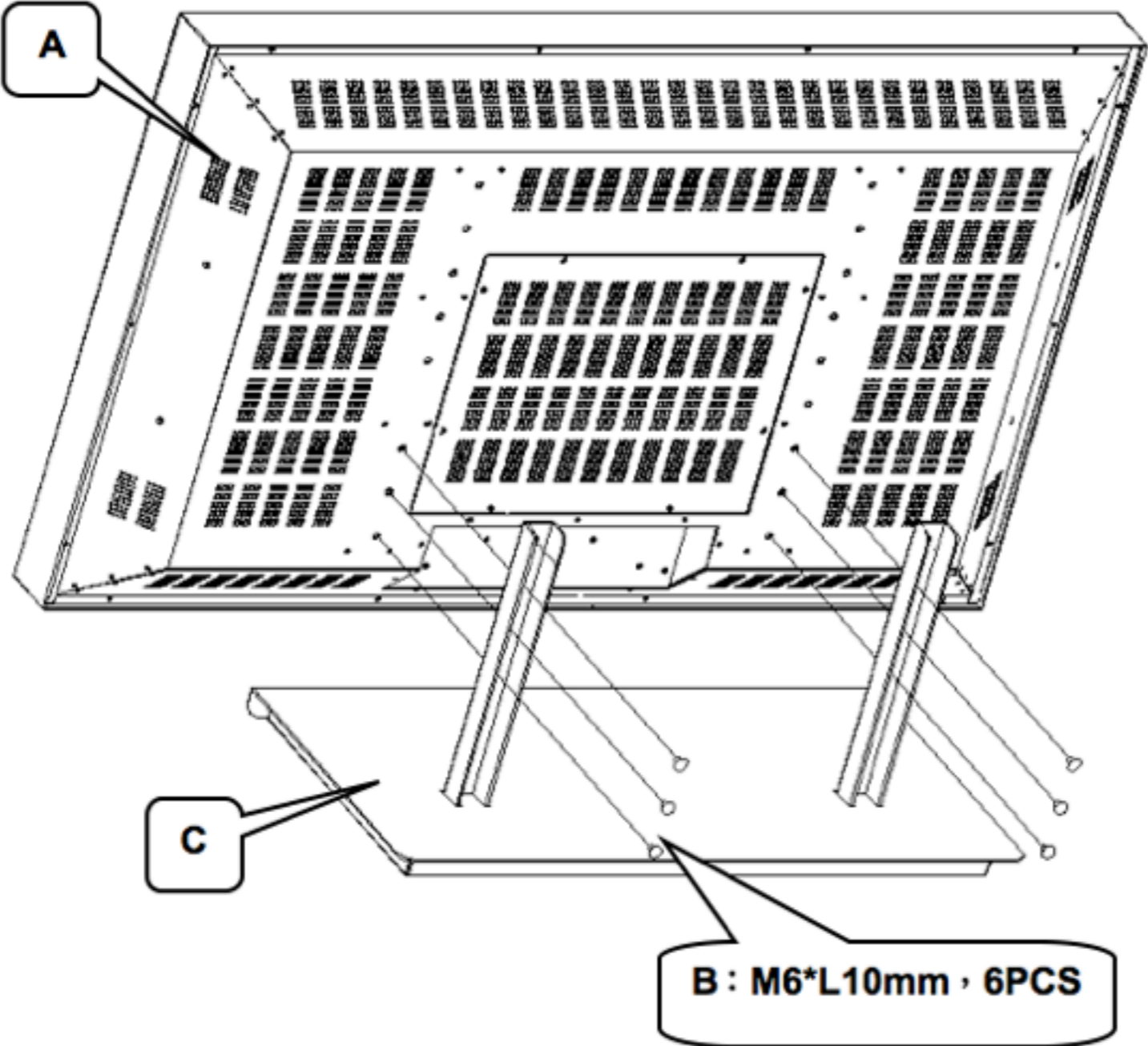
1、 32" Stand, 1PCS



2、 Screw M6\*L10mm, 6PCS

Step 2 : Mounting the display (A) on the stand.

\*Use screw (B) to fix the display on the stand (C) .



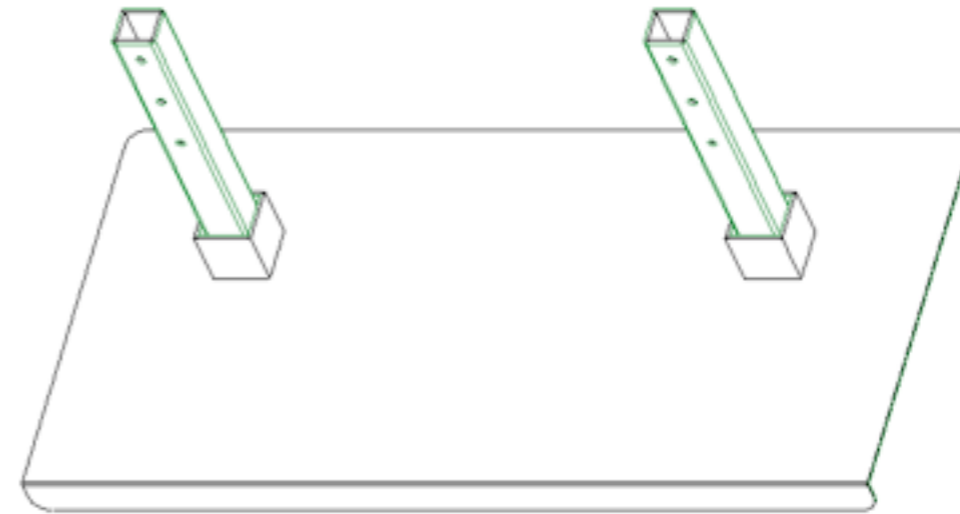
# 65" to 70" Table Top Stand

## CHAPTER CONTENTS

### Table Top Stand

Step 1 : Open the package and take out the stand.

Check the parts and the quantities, please see the picture below.

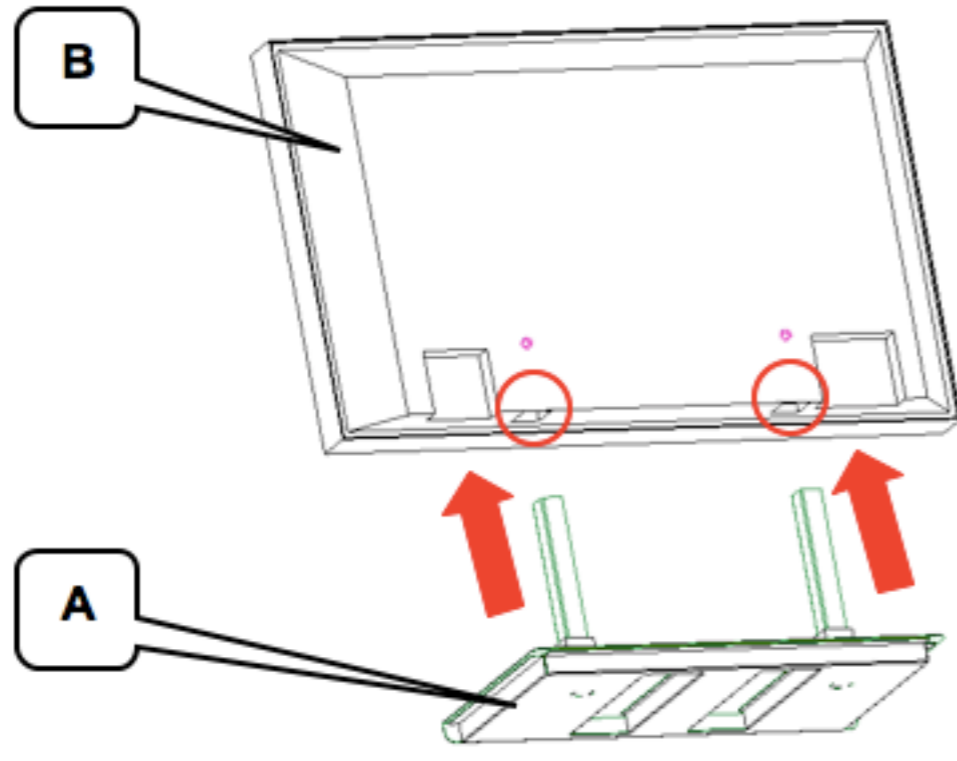


1、 Stand, 1PCS



2、 Screw M4\*L8mm, 2PCS

Step 2 : Insert the stand (A) into the rectangular holes that are under the monitor (B) .



Step 3 : Use screw (C) to fix the display on the stand (A) .

